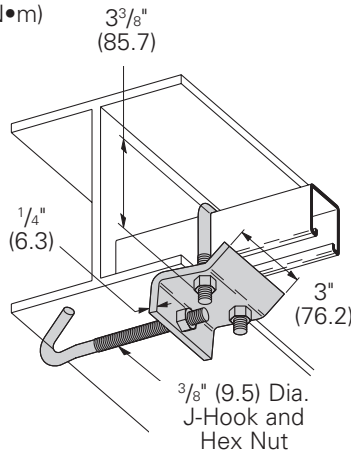


# Beam clamps

## B760-22 Series Beam Clamp

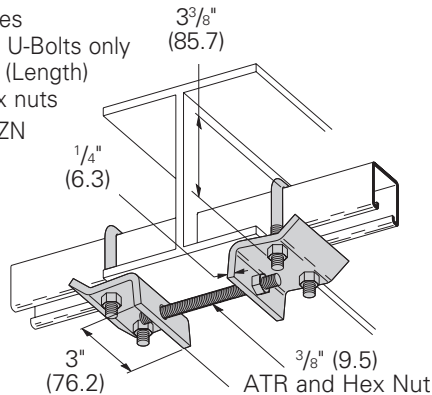
- 1" (25.4) Max. flange thickness
- For use with 1<sup>3</sup>/<sub>16</sub>" (20.6) to 1<sup>5</sup>/<sub>8</sub>" (41.3) high channel
- Recommended Torques:  
U-Bolt nuts 150 in-lbs. (16.9 N•m)  
J-Hook nut 60 in-lbs. (6.8 N•m)
- Includes:  
1 pc. B760 Plate  
1 pc. B701 Type J-Hook only  
1 pc. B500-3<sup>3</sup>/<sub>8</sub>" U-Bolt only  
3 pcs. <sup>3</sup>/<sub>8</sub>"-16 Hex nuts
- Standard finish: ZN



Part No.	For Flange Width		Wt./c	
	In.	mm	Lbs.	kg
<b>B760-22-J4</b>	4"-5 <sup>7</sup> / <sub>8</sub> "	(101.6-149.2)	122	(55.3)
<b>B760-22-J6</b>	6"-8 <sup>7</sup> / <sub>8</sub> "	(152.4-225.4)	129	(58.5)
<b>B760-22-J9</b>	9"-11 <sup>7</sup> / <sub>8</sub> "	(228.6-301.6)	135	(61.2)
<b>B760-22-J12</b>	12"-14 <sup>7</sup> / <sub>8</sub> "	(304.8-377.8)	141	(63.9)

## B761-22 Series Beam Clamp

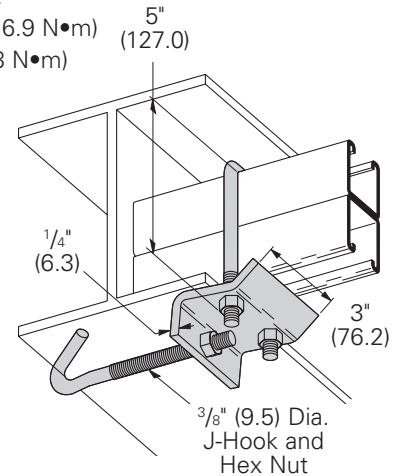
- 1" (25.4) Max. flange thickness
- For use with 1<sup>3</sup>/<sub>16</sub>" (20.6) to 1<sup>5</sup>/<sub>8</sub>" (41.3) high channel
- Recommended Torques:  
U-Bolt nuts 150 in-lbs. (16.9 N•m)  
ATR nuts 60 in-lbs. (6.8 N•m)
- Includes:  
2 pcs. B700 Plates  
2 pcs. B500-3<sup>3</sup>/<sub>8</sub>" U-Bolts only  
1 pc. <sup>3</sup>/<sub>8</sub>"-16 ATR (Length)  
6 pcs. <sup>3</sup>/<sub>8</sub>"-16 Hex nuts
- Standard finish: ZN



Part No.	For Flange Width		ATR Length		Wt./C	
	In.	mm	In.	mm	Lbs.	kg
<b>B761-22-4</b>	4"-5 <sup>7</sup> / <sub>8</sub> "	(101.6-149.2)	4"	(101.6)	202	(91.6)
<b>B761-22-6</b>	6"-8 <sup>7</sup> / <sub>8</sub> "	(152.4-225.4)	6"	(152.4)	206	(93.4)
<b>B761-22-9</b>	9"-11 <sup>7</sup> / <sub>8</sub> "	(228.6-301.6)	9"	(228.6)	214	(97.0)
<b>B761-22-12</b>	12"-14 <sup>7</sup> / <sub>8</sub> "	(304.8-377.8)	12"	(304.8)	221	(100.2)

## B760-22A Series Beam Clamp

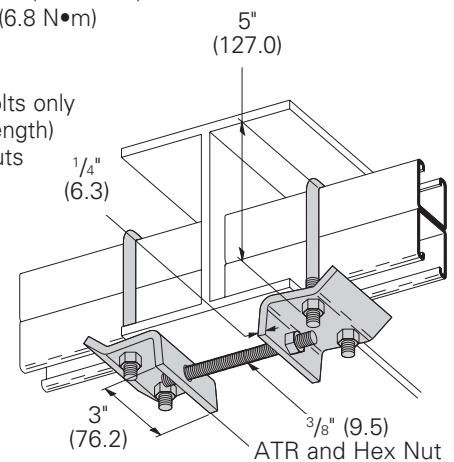
- 1" (25.4) Max. flange thickness
- For use with 1<sup>5</sup>/<sub>8</sub>" (41.3) to 3<sup>1</sup>/<sub>4</sub>" (82.5) high channel
- Recommended Torques:  
U-Bolt nuts 150 in-lbs. (16.9 N•m)  
J-Hook nut 60 in-lbs. (6.8 N•m)
- Includes:  
1 pc. B760 Plate  
1 pc. B701 Type J-Hook only  
1 pc. B500-5" U-Bolt only  
3 pcs. <sup>3</sup>/<sub>8</sub>"-16 Hex nuts
- Standard finish: ZN



Part No.	For Flange Width		Wt./c	
	In.	mm	Lbs.	kg
<b>B760-22A-J4</b>	4"-5 <sup>7</sup> / <sub>8</sub> "	(101.6-149.2)	129	(58.5)
<b>B760-22A-J6</b>	6"-8 <sup>7</sup> / <sub>8</sub> "	(152.4-225.4)	136	(61.7)
<b>B760-22A-J9</b>	9"-11 <sup>7</sup> / <sub>8</sub> "	(228.6-301.6)	142	(64.4)
<b>B760-22A-J12</b>	12"-14 <sup>7</sup> / <sub>8</sub> "	(304.8-377.8)	148	(67.1)

## B761-22A Series Beam Clamp

- 1" (25.4) Max. flange thickness
- For use with 1<sup>5</sup>/<sub>8</sub>" (41.3) to 3<sup>1</sup>/<sub>4</sub>" (82.5) high channel
- Recommended Torques:  
U-Bolt nuts 150 in-lbs. (16.9 N•m)  
ATR nuts 60 in-lbs. (6.8 N•m)
- Includes:  
2 pcs. B700 Plates  
2 pcs. B500-5" U-Bolts only  
1 pc. <sup>3</sup>/<sub>8</sub>"-16 ATR (Length)  
6 pcs. <sup>3</sup>/<sub>8</sub>"-16 Hex nuts
- Standard finish: ZN



Part No.	For Flange Width		ATR Length		Wt./C	
	In.	mm	In.	mm	Lbs.	kg
<b>B761-22A-4</b>	4"-5 <sup>7</sup> / <sub>8</sub> "	(101.6-149.2)	4"	(101.6)	216	(98.0)
<b>B761-22A-6</b>	6"-8 <sup>7</sup> / <sub>8</sub> "	(152.4-225.4)	6"	(152.4)	220	(99.8)
<b>B761-22A-9</b>	9"-11 <sup>7</sup> / <sub>8</sub> "	(228.6-301.6)	9"	(228.6)	228	(103.4)
<b>B761-22A-12</b>	12"-14 <sup>7</sup> / <sub>8</sub> "	(304.8-377.8)	12"	(304.8)	235	(106.6)

Reference page 154 for general fitting and standard finish specifications.