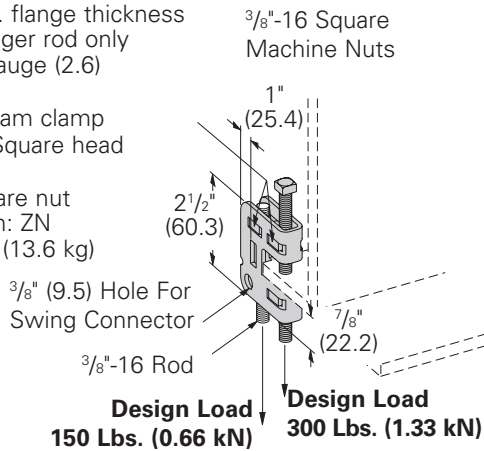


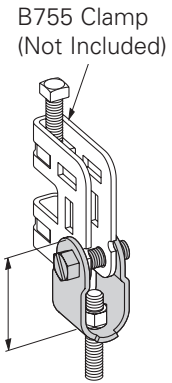
## B755 3/8" Beam Clamp

- Safety Factor of 5
- 5/8" (15.9) Max. flange thickness
- For 3/8"-16 Hanger rod only
- Material: 12 gauge (2.6)
- Includes:



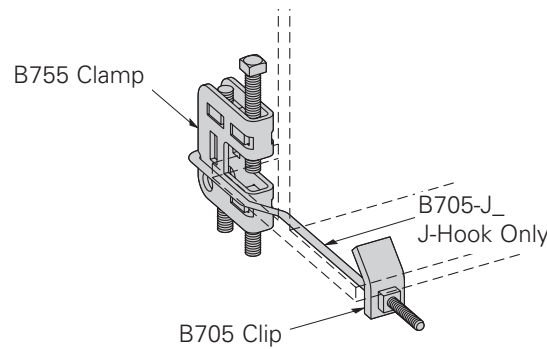
## B756-3/8" Swing Connector

- Design Load 150 Lbs. (0.66 kN)
- Safety Factor of 5
- Material: 12 gauge (2.6)
- Includes:



## B755-3/8"-J\_ Beam Clamp Assembly

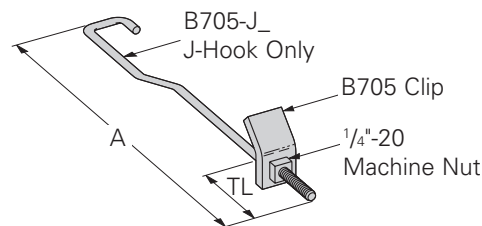
- Includes:



Part No.	For Flange Width		Wt./C	
	In.	mm	Lbs.	kg
<b>B755-3/8"-J4</b>	4"-6"	(101.6-152.4)	47	(21.3)
<b>B755-3/8"-J6</b>	6"-10"	(152.4-254.0)	51	(23.1)
<b>B755-3/8"-J10</b>	10"-12"	(254.0-304.8)	53	(24.0)
<b>B755-3/8"-J12</b>	12"-14"	(304.8-355.6)	55	(24.9)

## B705 Series J-Hook

- Use with B755-3/8"
- Standard finish: ZN



Part No.	A		Thread Length TL		Wt./C	
	In.	mm	In.	mm	Lbs.	kg
<b>B705-J4</b>	7 3/8"	(187.3)	3"	(76.2)	17	(7.7)
<b>B705-J6</b>	11 3/8"	(288.9)	4 1/2"	(114.3)	21	(9.5)
<b>B705-J10</b>	13 3/8"	(339.7)	4 1/2"	(114.3)	23	(10.4)
<b>B705-J12</b>	15 3/8"	(390.5)	4 1/2"	(114.3)	25	(11.3)

Reference page 154 for general fitting and standard finish specifications.