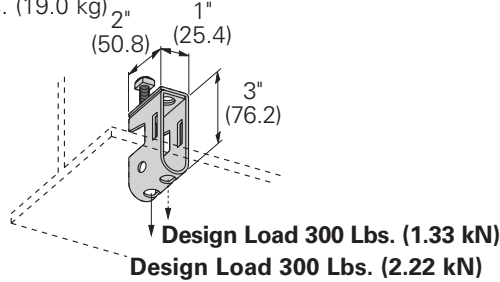


Beam clamps

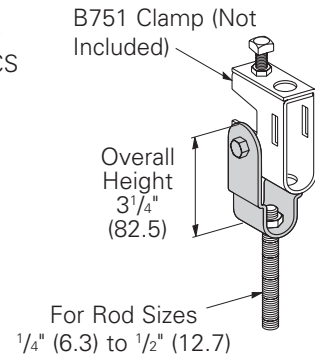
B751 Beam Clamp

- Safety Factor of 5
- $\frac{3}{4}$ " (19.0) Max. flange thickness
- Setscrew and locknut included
- Maximum ATR size $\frac{1}{2}$ "
- Use B753 Swivel nut (not included)
- Material: 12 gauge (2.6)
- Standard finish: ZN, HDG
- Wt./C 42 Lbs. (19.0 kg)



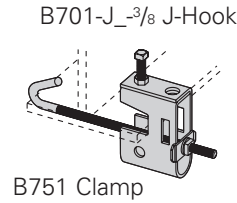
B752 Beam Clamp Swivel

- Design Load 500 Lbs. (2.22 kN)
- Safety Factor of 5
- Material: 12 gauge (2.6)
- Use B753 Swivel nut (not included)
- Includes:
 - 1 pc. B752 Swivel body
 - 1 pc. $\frac{5}{16}$ "-18 x $1\frac{3}{4}$ " HHCS
 - 1 pc. $\frac{5}{16}$ "-18 Hex nut
- Standard finish: ZN
- Wt./C 30 Lbs. (13.6 kg)



B751-J $\frac{3}{8}$ " Beam Clamp Assembly

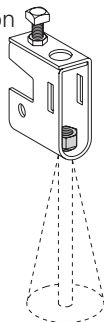
- Includes:
 - 1 pc. B751 Beam clamp
 - 1 pc. B701 Type J-Hook only
 - 1 pc. SA203-158 Clip
 - 1 pc. $\frac{3}{8}$ "-16 Hex Nut
- $\frac{1}{4}$ " (6.3) Diameter J-Hook available upon request
Part Number changes to B751-J- $\frac{1}{4}$ " and a $\frac{1}{4}$ "-20 machine square nut (MSQN) is used
- Use B753 Swivel Nut (not included)
- Standard finishes: ZN



Part No.	For Flange Width		Wt./C	
	In.	mm	Lbs.	kg
B751-J4-$\frac{3}{8}$"	3"-6"	(76.2-152.4)	70	(31.7)
B751-J6-$\frac{3}{8}$"	5"-9"	(127.0-228.6)	78	(35.4)
B751-J9-$\frac{3}{8}$"	8"-12"	(203.2-304.8)	83	(37.6)
B751-J12-$\frac{3}{8}$"	11"-15"	(279.4-381.0)	88	(39.9)

B753 Swivel Nut

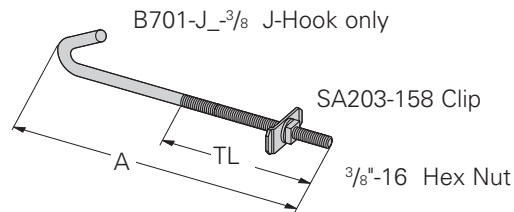
- Provides a full swivel of 15° in any direction
Specify rod size
- Standard finish: ZN



Part No.	For Rod Size	Wt./C	
		Lbs.	kg
B753-$\frac{3}{8}$"	$\frac{3}{8}$ "-16	4.0	(1.8)
B753-$\frac{1}{2}$"	$\frac{1}{2}$ "-13	3.4	(1.5)

B701 Series J-Hook

- $\frac{1}{4}$ " (6.3) Diameter J-Hook available upon request
Part Number changes to B751-J- $\frac{1}{4}$ " and a $\frac{1}{4}$ "-20 machine square nut (MSQN) is used
- Standard finish: ZN



Part No.	A		Thread Length TL		Wt./C	
	In.	mm	In.	mm	Lbs.	kg
B701-J4-$\frac{3}{8}$"	$8\frac{3}{4}$ "	(222.2)	$5\frac{1}{2}$ "	(139.7)	26	(11.8)
B701-J6-$\frac{3}{8}$"	$11\frac{3}{4}$ "	(298.4)	$6\frac{1}{2}$ "	(165.1)	34	(15.4)
B701-J9-$\frac{3}{8}$"	$14\frac{3}{4}$ "	(374.6)	$6\frac{1}{2}$ "	(165.1)	41	(18.6)
B701-J12-$\frac{3}{8}$"	$17\frac{3}{4}$ "	(450.8)	$6\frac{1}{2}$ "	(165.1)	48	(21.8)

Reference page 154 for general fitting and standard finish specifications.