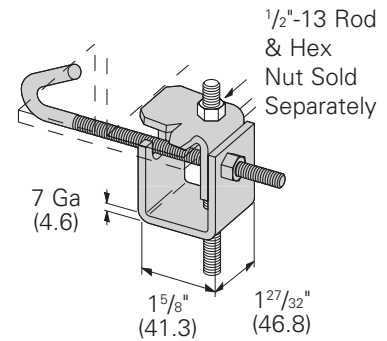


# Beam clamps

## B750 Series Beam Clamp

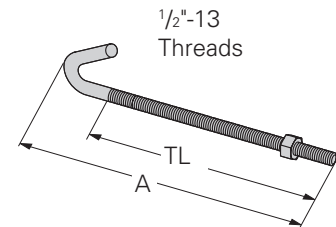
- Safety Factor of 5
- Design Load 500 Lbs. (2.22 kN)
- Recommended Torque: J-Hook nut 125 in-lbs. (14.1 N•m)
- Maximum flange thickness  $\frac{5}{8}$ " (15.9)
- Standard finish: ZN



Part No.	For Flange Width		Wt./C	
	In.	mm	Lbs.	kg
<b>B750-J4</b>	3"-6"	(76.2-152.4)	109	(49.4)
<b>B750-J6</b>	5"-9"	(127.0-228.6)	124	(56.2)
<b>B750-J9</b>	8"-12"	(203.2-304.8)	135	(61.2)
<b>B750-J12</b>	11"-15"	(279.4-381.0)	147	(66.7)

## B700 Series J-Hook

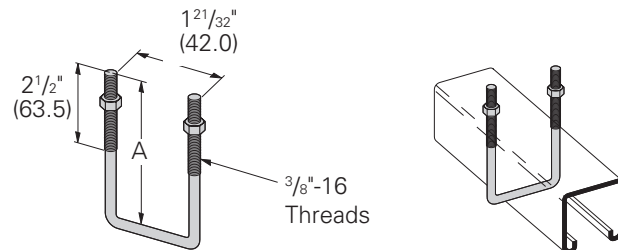
- Includes:
  - 1 pc. J-Bolt
  - 1 pc. Hex Nut
- Maximum flange thickness  $\frac{5}{8}$ " (15.9)
- Standard finish: ZN



Part No.	A		Thread Length TL		Wt./C	
	In.	mm	In.	mm	Lbs.	kg
<b>B700-J4</b>	8 1/2"	(215.9)	6 3/4"	(171.4)	44	(19.9)
<b>B700-J6</b>	11 1/2"	(292.1)	9 3/4"	(247.6)	53	(24.0)
<b>B700-J9</b>	14 1/2"	(368.3)	12 3/4"	(323.8)	63	(28.6)
<b>B700-J12</b>	17 1/2"	(444.5)	15 3/4"	(400.0)	78	(35.4)

## B500 Series Square U-Bolt

- Includes:
  - 1 pc. U-Bolt only
  - 2 pcs.  $\frac{3}{8}$ "-16 Hex nuts
- Additional sizes available
- Standard finish: ZN, SS4



Part No.	In.		Channel Size		Wt./C	
	In.	mm	In.	mm	Lbs.	kg
<b>B500-3-3/8</b>	3 3/8"	(85.7)	1 5/8" x 1 5/8"	(41.3 x 41.3)	25	(11.3)
<b>B500-5</b>	5"	(127.0)	3 1/4" x 1 5/8"	(82.5 x 41.3)	33	(14.9)

Reference page 154 for general fitting and standard finish specifications.