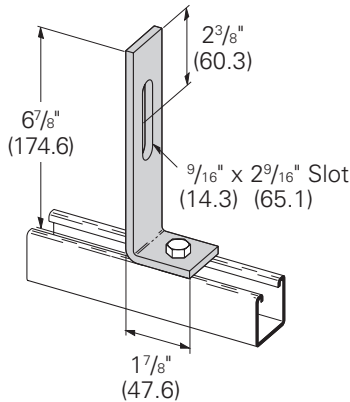


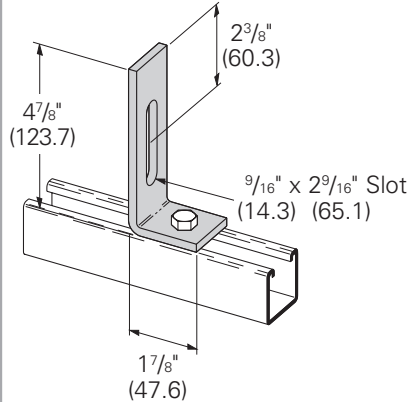
B496
Two Hole Adjustable
Corner Angle

- Standard finishes: ZN, GRN
- Wt./C 85 Lbs. (38.5 kg)



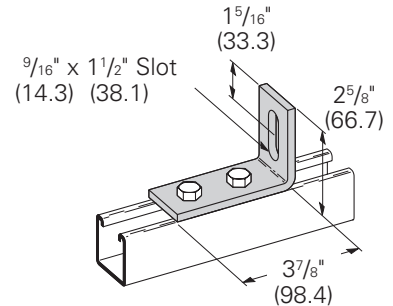
B496-1
Two Hole Adjustable
Corner Angle

- Standard finishes: ZN, GRN, HDG
- Wt./C 58 Lbs. (26.3 kg)



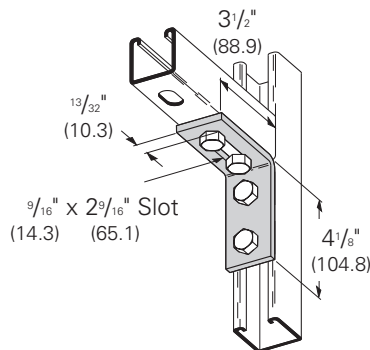
B371-2
Three Hole Adjustable
Corner Angle

- Standard finishes: ZN, GRN
- Wt./C 61 Lbs. (27.6 kg)



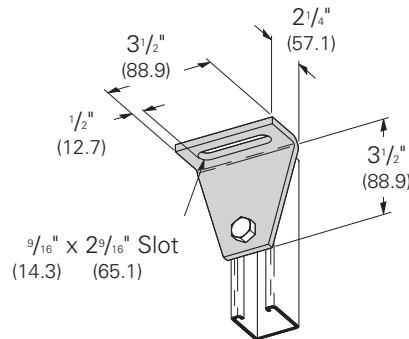
B104SH
Three Hole Adjustable
Corner Angle

- Standard finishes: ZN, GRN
- Wt./C 68 Lbs. (30.8 kg)



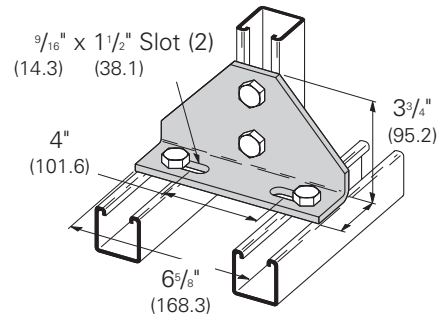
B461
Two Hole Adjustable
Corner Angle

- Standard finishes: ZN, GRN
- Wt./C 87 Lbs. (39.4 kg)



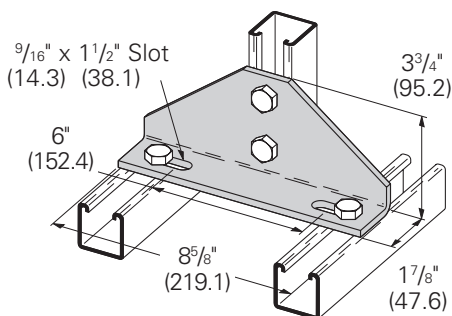
B112
Four Hole Adjustable
Corner Angle

- Standard finishes: ZN, GRN
- Wt./C 180 Lbs. (81.6 kg)



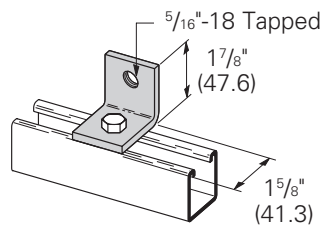
B113
Four Hole Adjustable
Corner Angle

- Standard finishes: ZN, GRN
- Wt./C 256 Lbs. (116.1 kg)



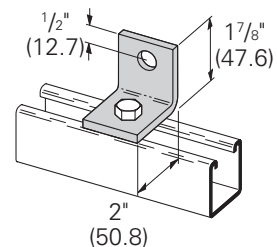
B109S
Two Hole Tapped
Corner Angle

- Standard finishes: ZN, GRN
- Wt./C 33 Lbs. (14.9 kg)



B521
Two Hole Bus Duct
Angle

- Standard finishes: ZN, GRN
- Wt./C 37 Lbs. (16.8 kg)



Reference page 106 for general fitting and standard finish specifications.