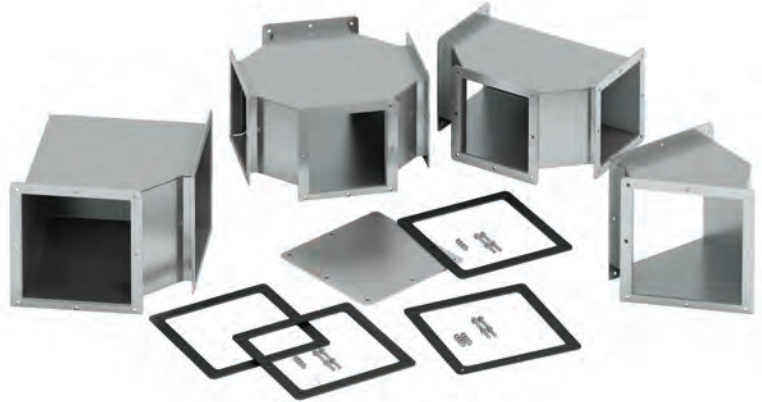


Feed-Through Wireway Type 4X Data Sheet



Application

- Houses runs of control and power cables
- Intended for indoor or outdoor use where a corrosive environment exists
- Protects against corrosion, windblown dust and rain, splashing water and hose-directed water

Standards

- UL 870 listed, unless noted
- CSA C22.2 No. 26 certified, unless noted
- Conforms to NEMA standard for Type 4X

Finish

- Outer surface of wireway body and cover has a smooth brushed finish
- Wireway body and cover is also available in Type 316 stainless steel upon special request

Accessories

- Box connector
- Closure plate
- Barrier kit
- Bracket hanger
- Drop hanger

Construction

- Wireway body and cover are fabricated from Type 304 stainless steel
- Flanges are (10) gauge stainless steel
- All continuous welded seams are finished smooth
- External and internal edges are rounded to prevent injury or damage to cable
- Covers are secured to the wireway body with heavy-duty hinges on one side and easy-to-operate screw clamps mounted to the opposite side
- Continuous flanged ends assure rigid connections of wireway and fittings
- Cover has a seamless poured in-place gasket
- An oil-resistant gasket is provided for installation between flanges

Discount Schedule: C2

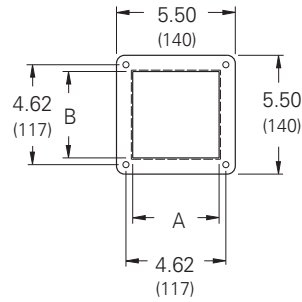
Subclass: Z70

Notes: We can provide special sizes, finishes and other modifications. Consult the factory for your special requirements.

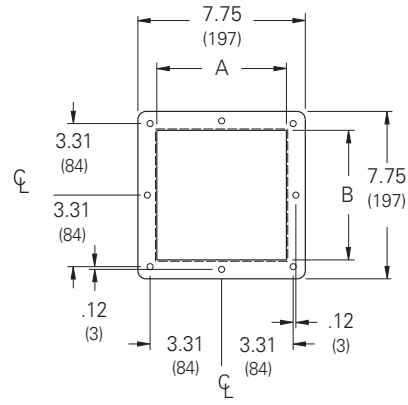
Feed-Through Wireway Type 4X

Illustration Sheet and Catalog Number

Subclass: Z70

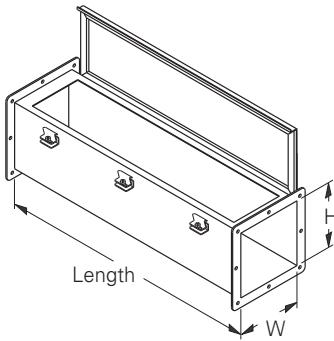


4.00 x 4.00



6.00 x 6.00

Flange Detail



Wireway Section

- Lengths from 12.00" (305 mm) to 120.00" (3048 mm)

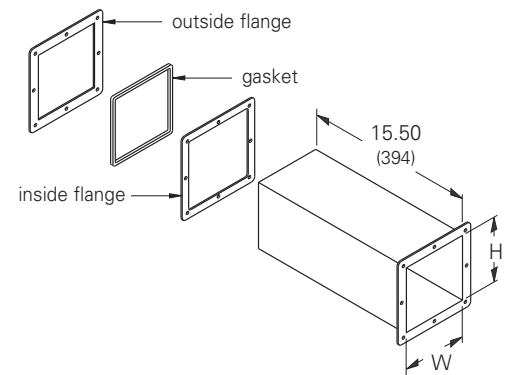
For	Actual Length	
	in.	mm
12	11.94	303
24	23.94	608
36	35.94	913
48	47.94	1218
60	59.94	1522
120	119.94	3046

Straight Section

- Includes (1) gasket kit

Catalog Number	Size	H		W	
		in.	mm	in.	mm
44(*)-4XSFW	4 x 4	4.00	102	4.00	102
66(*)-4XSFW	6 x 6	6.00	152	6.00	152

(*) Insert for length **12** = 12", **24** = 24", **36** = 36", **48** = 48", **60** = 60", **120** = 120".



Telescopic Fitting

- Adjustable lengths from 1.50" (38 mm) to 13.50" (343 mm)
- No cutting or welding required

Catalog Number	Size	H		W	
		in.	mm	in.	mm
44-4XSFTF *	4 x 4	3.82	97	3.82	97
66-4XSFTF *	6 x 6	5.82	148	5.82	148

* Not UL or CSA Listed fitting.

Notes: Dimensions are in inches. Millimeters shown are for reference only. Data subject to change without notice.