

# Type 12 / 13 Panel Enclosures

## JIC Enclosures Type 12 Large Continuous Hinge Screw Cover Data Sheet

Type 12/13 Panel Encl.



### Application

- Houses electrical controls and instruments
- Protects against circulating dust, falling dirt and dripping non-corrosive liquids

### Standards

- UL 508A listed, Type 12 and Type 13
- CSA C22.2 No.94 certified, Type 12 and Type 13
- Conforms to NEMA standard for Type 12 and Type 13

### Finish

- Wash and phosphate undercoat
- ANSI 61 gray polyester powder finish
- Panels have a white enamel finish

### Accessories

- NEMA terminal strap kit
- Terminal blocks
- Touch-up paint
- See Accessories section

### Construction

- Enclosure and door are fabricated from (14) gauge steel
- All continuous welded seams are finished smooth
- Door is secured to the body with a continuous hinge on one side and captive hex head screws which thread into sealed well nuts on the opposite side
- Each door has a print pocket
- Door has a fixed, oil-resistant gasket
- Ground stud provided on door
- Heavy gauge panel mounted to .375-16 collar studs is provided with enclosure
- External mounting feet are provided for secure wall mounting

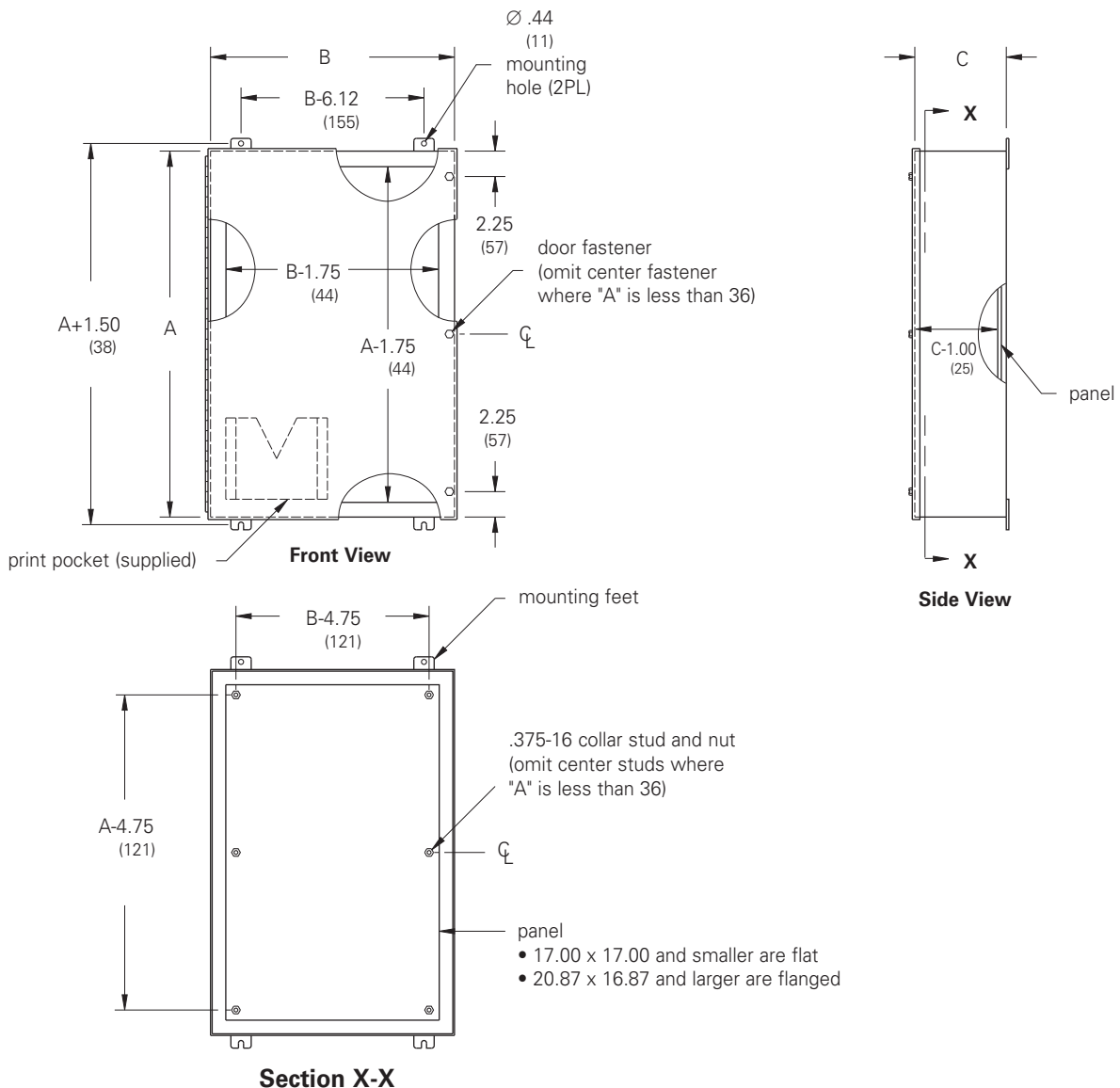
### Discount Schedule: C2

### Subclass: DH0

**Notes:** We can provide special sizes, finishes and other modifications. Consult the factory for your special requirements.

## JIC Enclosures Type 12 Large Continuous Hinge Screw Cover Illustration Sheet and Catalog Number

Enclosure Catalog Number	Enclosure Size Height x Width x Depth A x B x C		Panel Size Height x Width	
	in.	mm	in.	mm
20167-12CHSC	20.00 x 16.00 x 7.00	508 x 406 x 178	17.00 x 13.00	432 x 330
20207-12CHSC	20.00 x 20.00 x 7.00	508 x 508 x 178	17.00 x 17.00	432 x 432
24207-12CHSC	24.00 x 20.00 x 7.00	610 x 508 x 178	20.87 x 16.87	530 x 428
30207-12CHSC	30.00 x 20.00 x 7.00	762 x 508 x 178	26.87 x 16.87	682 x 428
30247-12CHSC	30.00 x 24.00 x 7.00	762 x 610 x 178	26.87 x 20.87	682 x 530
36247-12CHSC	36.00 x 24.00 x 7.00	914 x 610 x 178	32.87 x 20.87	835 x 530
24209-12CHSC	24.00 x 20.00 x 9.00	610 x 508 x 229	20.87 x 16.87	530 x 428
30209-12CHSC	30.00 x 20.00 x 9.00	762 x 508 x 229	26.87 x 16.87	682 x 428
30249-12CHSC	30.00 x 24.00 x 9.00	762 x 610 x 229	26.87 x 20.87	682 x 530
36249-12CHSC	36.00 x 24.00 x 9.00	914 x 610 x 229	32.87 x 20.87	835 x 530



Type 12/13 Panel Encl.

**Notes:** Dimensions are in inches. Millimeters shown are for reference only. Data subject to change without notice.