

Contrinex Safety Columns

| Contrinex Safety Columns Selection Chart | | | |
|--|------------|--|--|
| Part Number | Price | Description | Use With |
| Mirror Columns | | | |
| <u>YXC-1280-M11</u> | \$767.00 | Contrinex mirror column, 1281mm [50.43 in] housing, 1082mm [42.60 in] mirror(s). For use with safety light curtains. Mounting hardware included. | YBB-xxxx-0150-xxxx to YBB-xxxx-0900-xxxx YCA-xxxx-3400-xxxx |
| <u>YXC-1715-M11</u> | \$905.00 | Contrinex mirror column, 1716mm [67.56 in] housing, 1532mm [60.31 in] mirror(s). For use with safety light curtains. Mounting hardware included. | YBB-xxxx-0150-xxxx to YBB-xxxx-1400-xxxx YCA-xxxx-3400-xxxx to YCA-xxxx-4400-xxxx |
| <u>YXC-2015-M11</u> | \$1,047.00 | Contrinex mirror column, 2016mm [79.37 in] housing, 1682mm [66.22 in] mirror(s). For use with safety light curtains. Mounting hardware included. | YBB-xxxx-0150-xxxx to YBB-xxxx-1600-xxxx YCA-xxxx-3400-xxxx to YCA-xxxx-4400-xxxx |
| <u>YXC-2215-M11</u> | \$1,192.00 | Contrinex mirror column, 2216mm [87.24 in] housing, 1832mm [72.13 in] mirror(s). For use with safety light curtains. Mounting hardware included. | YBB-xxxx-0150-xxxx to YBB-xxxx-1700-xxxx YCA-xxxx-3400-xxxx to YCA-xxxx-4400-xxxx |
| <u>YXC-1185-M23</u> | \$468.00 | Contrinex mirror column, 1185mm [46.65 in] housing, (3) 90mm [3.54 in] mirror(s). For use with safety light curtains. Mounting hardware included. | YCA-xxxx-3400-xxxx |
| <u>YXC-1285-M24</u> | \$558.00 | Contrinex mirror column, 1285mm [50.59 in] housing, (4) 90mm [3.54 in] mirror(s). For use with safety light curtains. Mounting hardware included. | YCA-xxxx-4300-xxxx |
| Protective Columns | | | |
| <u>YXC-0985-F00</u> | \$434.00 | Contrinex protective column, 965mm [37.99 in] housing. For use with safety light curtains. Mounting hardware included. | YBB-xxxx-0150-xxxx to YBB-xxxx-0800-xxxx |
| <u>YXC-1285-F00</u> | \$478.00 | Contrinex protective column, 1265mm [49.80 in] housing. For use with safety light curtains. Mounting hardware included. | YBB-xxxx-0150-xxxx to YBB-xxxx-1000-xxxx YCA-xxxx-3400-xxxx. |
| <u>YXC-1740-F00</u> | \$518.00 | Contrinex protective column, 1720mm [67.72 in] housing. For use with safety light curtains. Mounting hardware included. | YBB-xxxx-0150-xxxx to YBB-xxxx-1400-xxxx YCA-xxxx-3400-xxxx to YCA-xxxx-4400-xxxx |
| <u>YXC-2040-F00</u> | \$539.00 | Contrinex protective column, 2020mm [79.53 in] housing. For use with safety light curtains. Mounting hardware included. | YBB-xxxx-0150-xxxx to YBB-xxxx-1700-xxxx YCA-xxxx-3400-xxxx to YCA-xxxx-4400-xxxx |
| Other | | | |
| <u>YXL-0001-000</u> | \$294.00 | Laser alignment tool for safety light curtains, class 2 laser, range up to 50m [164.04 ft], useable and clippable to YBB and YCA light curtains models, 2 AA batteries included. | YBB Series YCA Series |
| <u>YXW-0001-000</u> | \$8.25 | Safety light curtain mounting brackets for top and bottom mounting. Plastic. 2/pk. | |
| <u>YXW-0003-000</u> | \$8.25 | Safety light curtain sliding T-nuts for side mounting. Metal. 2/pk. Ideal torque from M5x0.8 thread is 6 N•m (4.42 lb•ft, 53.1 lb•in). | |



YXC-1280-M11

YXC-1185-M23

Light Curtain Mirror Columns

- Multi-sided safeguarding of danger zones
- Robust protective profile
- 10% reduction of operating distance for mirror



YXC-1285-F00

Light Curtain Protective Columns

- Automatically bounces back after physical shock or vibration.
- Robust baseplate allows radial and vertical alignment.
- Solid aluminum profile



YXW-0001-000



YXW-0003-000

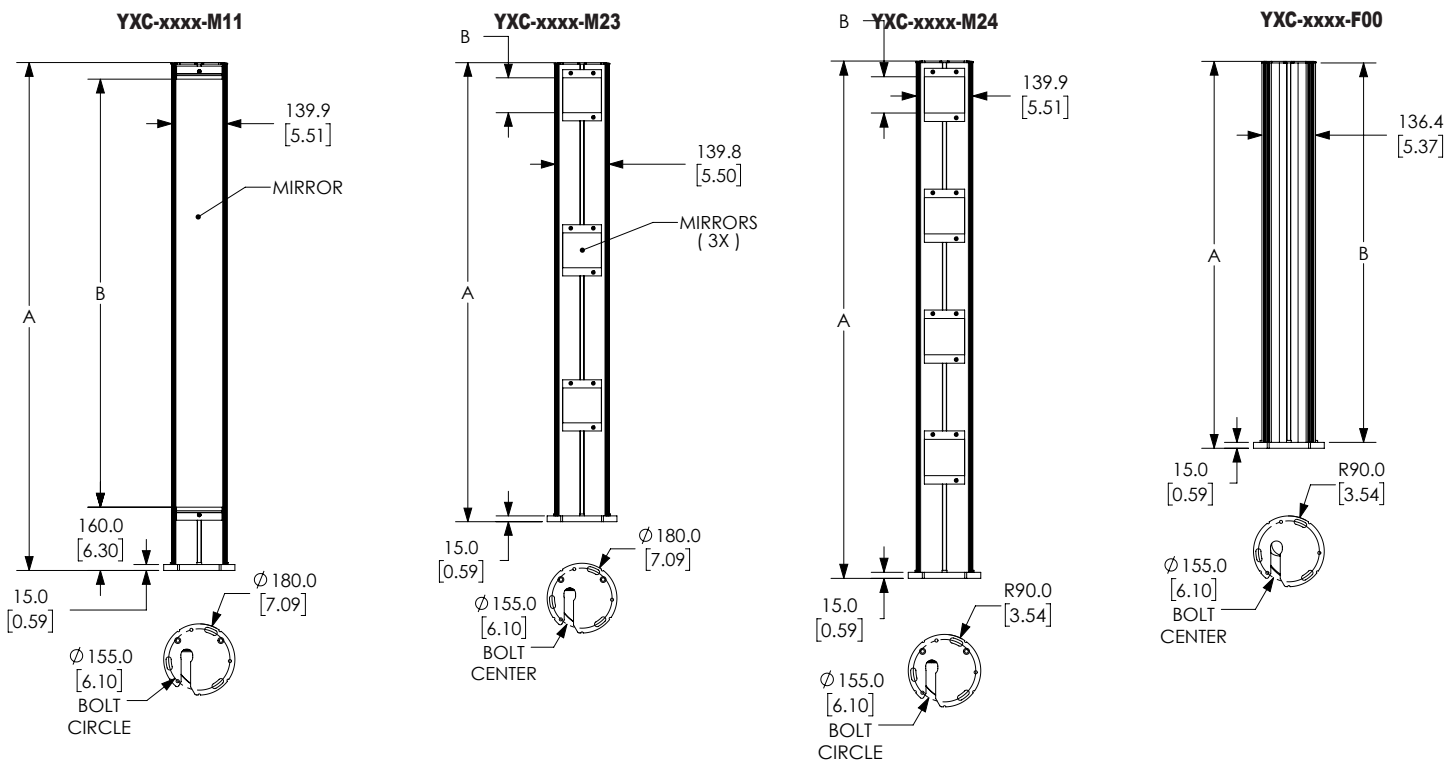


YXL-0001-000

Contrinex Safety Columns

Dimensions

mm [in]



Safety Light Curtains Mirror Columns Dimensions

| Part Number | Total Height A mm [in] | Mirror Height B mm [in] | Height to Lowest Beam mm [in] | Beam Gap mm [in] |
|---------------------|---------------------------|----------------------------|----------------------------------|---------------------|
| YXC-1280-M11 | 1281 [50.43] | 1082 [42.60] | – | – |
| YXC-1715-M11 | 1716 [67.56] | 1532 [60.31] | – | – |
| YXC-2015-M11 | 2016 [79.37] | 1682 [66.22] | – | – |
| YXC-2215-M11 | 2216 [87.24] | 1832 [72.13] | – | – |
| YXC-1185-M23 | 1185 [46.65] | 90 [3.54] | 300 [11.81] | 400 [15.75] |
| YXC-1285-M24 | 1285 [50.59] | 90 [3.54] | 300 [11.81] | 300 [11.81] |

Safety Light Curtains Protective Columns Dimensions

| Part Number | Total Height A mm [in] | Housing Height B mm [in] |
|---------------------|---------------------------|-----------------------------|
| YXC-0985-F00 | 985 [38.78] | 965 [37.99] |
| YXC-1285-F00 | 1285 [50.59] | 1265 [49.80] |
| YXC-1740-F00 | 1740 [68.50] | 1720 [67.72] |
| YXC-2040-F00 | 2040 [80.31] | 2020 [79.53] |

Note: Full and open top caps are provided to accommodate taller units.

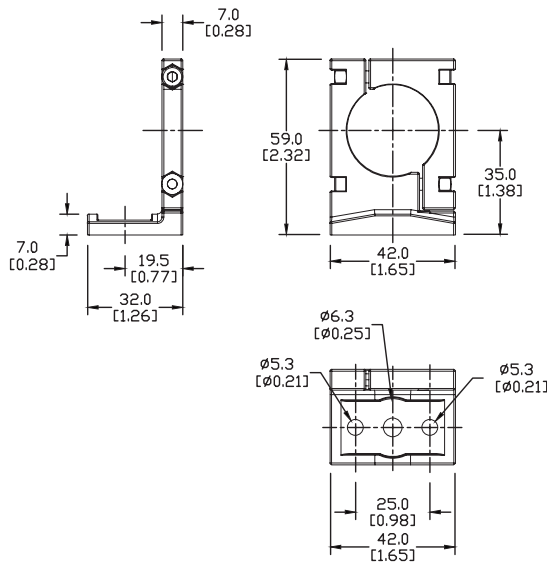
See our website www.AutomationDirect.com for complete engineering drawings.

Contrinex Safety Light Curtains Accessories

Mounting bracket



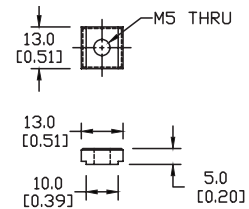
YXW-0001-000



T-Nuts for side mounting



YXW-0003-000



Laser Alignment Tool

- Clips on YBB and YCA Curtains/Barriers
- High quality lens for narrow output beam
- Up to 50m [164ft] range
- <1mW output power
- Standard AA batteries included

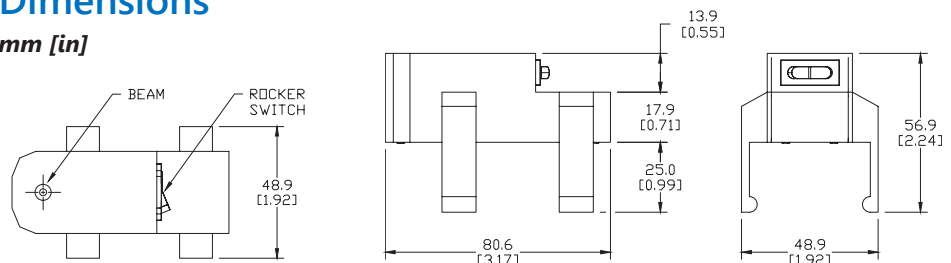


YXL-0001-000

| Laser Alignment Tool YXL-0001-000 Specifications | |
|--|----------------------------------|
| Supply Voltage Range | 2.5 – 3.3 VDC |
| Laser Module Optical Output Power | <1mW (Class 2) |
| Range | 50m (164ft) |
| Ambient Temperature Range | 0-40°C (32-104°F) |
| Storage Temperature Range | 0-60°C (32-140°F) |
| Wavelength | 655nm ± 1% |
| Laser Beam Spot Size at 10m | < 10mm |
| Divergence Angle | 1.1 mrad |
| Housing Material | PA with 30% fiberglass |
| Mounting | Clippable onto YBB / YCA devices |
| Weight | 95g (0.21 lb) |

Dimensions

mm [in]



See our website www.AutomationDirect.com for complete engineering drawings.

Warning: Safety products sold by AutomationDirect are Safety components only.

The purchaser/installer is solely responsible for the application of these components and ensuring all necessary steps have been taken to assure each application and use meets all performance and applicable safety requirements and/or local, national and/or international safety codes as required by the application. AutomationDirect cannot certify that our products used solely or in conjunction with other AutomationDirect or other vendors' products will assure safety for any application.

Any person using or applying any products sold by AutomationDirect is responsible for learning the safety requirements for their individual application and applying them, and therefore assumes all risks, and accepts full and complete responsibility for the selection and suitability of the product for their respective application. AutomationDirect does not provide design or consulting services, and cannot advise whether any specific application or use of our products would ensure compliance with the safety requirements for any application.

