

**BALDOR® • RELIANCE** 

**Product Information Packet**

**VP3468-14**

**1.5HP/1.1KW/3000RPM/TEFC 34-6243Z178**

| Part Detail |      |             |       |                |          |               |            |
|-------------|------|-------------|-------|----------------|----------|---------------|------------|
| Revision:   | T    | Status:     | PRD/A | Change #:      |          | Proprietary:  | No         |
| Type:       | DC   | Prod. Type: | 3432P | Elec. Spec:    | 34WGZ178 | CD Diagram:   | CD0194     |
| Enclosure:  | TEFC | Mfg Plant:  |       | Mech. Spec:    | 34-6243  | Layout:       | 34LY6243   |
| Frame:      | D80C | Mounting:   | B34   | Poles:         | 00       | Created Date: |            |
| Base:       | RG   | Rotation:   | R     | Insulation:    | F        | Eff. Date:    | 06-15-2018 |
| Field Type: |      | Literature: |       | Elec. Diagram: |          | Replaced By:  |            |

| Specs                          |                         |  |  |
|--------------------------------|-------------------------|--|--|
| Enclosure:                     | TEFC                    |  |  |
| Frame:                         | D80C                    |  |  |
| XP Class and Group:            | None                    |  |  |
| Agency Approvals:              | CSA                     |  |  |
|                                | UR                      |  |  |
| Base Indicator:                | Rigid                   |  |  |
| Bearing Grease Type:           | Polyrex EM (-20F +300F) |  |  |
| Drip Cover:                    | No Drip Cover           |  |  |
| Duty Rating:                   | CONT                    |  |  |
| Feedback Device:               | NO FEEDBACK             |  |  |
| Frame Prefix:                  | D                       |  |  |
| Heater Indicator:              | No Heater               |  |  |
| Insulation Class:              | F                       |  |  |
| Lifting Lugs:                  | No Lifting Lugs         |  |  |
| Motor Lead Quantity/Wire Size: | 2 @ 14 AWG              |  |  |
| Motor Lead Exit:               | Ko Box                  |  |  |

|                                  |                    |  |  |
|----------------------------------|--------------------|--|--|
| <b>Motor Lead Termination:</b>   | Flying Leads       |  |  |
| <b>Mounting Arrangement:</b>     | B34                |  |  |
| <b>Product Family:</b>           | General Purpose    |  |  |
| <b>Pulley End Bearing Type:</b>  | Sealed Bearing     |  |  |
| <b>Shaft Extension Location:</b> | Pulley End         |  |  |
| <b>Shaft Ground Indicator:</b>   | No Shaft Grounding |  |  |
| <b>Shaft Rotation:</b>           | Reversible         |  |  |
| <b>Shaft Slinger Indicator:</b>  | No Slinger         |  |  |
| <b>Motor Standards:</b>          | IEC                |  |  |
| <b>XP Division:</b>              | Not Applicable     |  |  |

| Nameplate NP0111L |                          |         |                          |
|-------------------|--------------------------|---------|--------------------------|
| CAT.NO.           | VP3468-14                |         |                          |
| SPEC.             | 34-6243Z178              |         |                          |
| HP                | 1.5                      | ENCL    | TEFC                     |
| RPM               | 3000                     |         |                          |
| FRAME             | D80C                     | TYPE    | 3432P                    |
| ARM V             | 180                      | ARM A   | 7.7                      |
| FLD V             |                          | FLD A   |                          |
| INSUL             | F                        | AMB.    | 40                       |
| DUTY              | CONT                     | SUPPLY  | 1.5                      |
| BRG/DE            | 6205                     | BRG/ODE | 6203                     |
| BRUSHES           | 2/BP5000AW14             |         |                          |
| SER.              | BLANK                    |         |                          |
| BLANK             |                          |         |                          |
| APRV-CSA          | <input type="checkbox"/> | APRV-UL | <input type="checkbox"/> |

| Parts List    |  |          |
|---------------|--|----------|
| Part Number   | Description                              | Quantity |
| SA005331      | SA 34-6243Z178                           | 1.000 EA |
| AA002980      | AA 34-6243Z178                           | 1.000 EA |
| BP5000AW14SP  | CARBON BRUSH - 33P, 180 VOLTS            | 1.000 EA |
| HA3210B66     | .125 DIA X .281 (AUTO)                   | 2.000 EA |
| 11XW1032G06   | 10-32 X .38, TAPTITE II, HEX WSHR SLTD U | 1.000 EA |
| HW3001B01     | BRASS CUP WASHER, FOR #10 SCREW          | 1.000 EA |
| 34EP3103B14   | FR ENDPLATE MACH 34PM TEFC F-2 MTG W/PG- | 1.000 EA |
| WD4100A17     | PLUG STIMPSON D4036                      | 1.000 EA |
| HW5100A03     | WAVY WASHER (W1543-017)                  | 1.000 EA |
| 34EP3303A04   | PU-E.P. IEC-D80C FLANGE PER B14 34DC/PM  | 1.000 EA |
| HW4600B49     | SEAL 0.938 X 1.624 X 0.250 SINGLE LIP DB | 1.000 EA |
| 51XN1032A22   | 10-32 X 1 3/8 HX WS SL SR                | 2.000 EA |
| BP5201A11SP   | BRUSH HOLDER ASSY W/BP4511A01 & BP3000A0 | 1.000 EA |
| 80XN1032A03   | 10-32 X 3/16 SET SCREW                   | 2.000 EA |
| 34FN3002A01SP | EXTERNAL FAN, PLASTIC, .637/.639 HUB W/  | 1.000 EA |
| 34FH5002A01SP | FAN COVER ASSY W/SHAFT COVER             | 1.000 EA |
| 51XW1032A06   | 10-32 X .38, TAPTITE II, HEX WSHR SLTD S | 3.000 EA |
| 34CB4504SP    | CONDUIT BOX LID, STAMPED                 | 1.000 EA |
| 34GS1011SP    | GASKET, CONDUIT BOX LID                  | 1.000 EA |
| 51XW0832A07   | 8-32 X .44, TAPTITE II, HEX WSHR SLTD SE | 2.000 EA |
| HW2504E10     | KEY, 6 MM X 1.000                        | 1.000 EA |
| HA7000A11     | KEY RETAINER 0.750 DIA SHAFTS            | 1.000 EA |
| WD4102A01     | SR-6L-1 HEYCO STRN RELIEF OR 23MPO6L10 M | 1.000 EA |
| MG1000G27     | MED CHARCOAL METALLIC GREY 400-0096      | 0.014 GA |

| <b>Parts List (continued)</b> |  |                 |
|-------------------------------|--|-----------------|
| <b>Part Number</b>            | <b>Description</b>                       | <b>Quantity</b> |
| MJ5001A27                     | 32220KN GRAY SEALER *MIN BUY 4 QTS=1GAL  | 0.001 QT        |
| MJ5004A05                     | #242-21 LOCTITE GENERAL PURPOSE MED. STR | 0.001 EA        |
| 85XU0407S04                   | 4X1/4 U DRIVE PIN STAINLESS              | 2.000 EA        |
| HA3100A37                     | THRUBOLT 10-32 X 8.500                   | 4.000 EA        |
| LB1119N                       | WARNING LABEL                            | 1.000 EA        |
| LC0194                        | CONNECTION LABEL                         | 1.000 EA        |
| NP0111L                       | NP STD LASER ENGRAVED DC MOTORS, UL CSA  | 1.000 EA        |
| 27PA1001                      | PKG GRP, PRINT PK1027A06                 | 1.000 EA        |

| <b>Accessories</b> |                                 |                   |
|--------------------|---------------------------------|-------------------|
| <b>Part Number</b> | <b>Description</b>              | <b>Multiplier</b> |
| TK3400             | TACHO MOUNTING KIT FOR TK3400   | A8                |
| TK3400-HPU         | HPU10 MOUNTING KIT 34P/35P TEFC |                   |

**DC Motor Performance Data**

Record # 600 - Typical performance - not guaranteed values

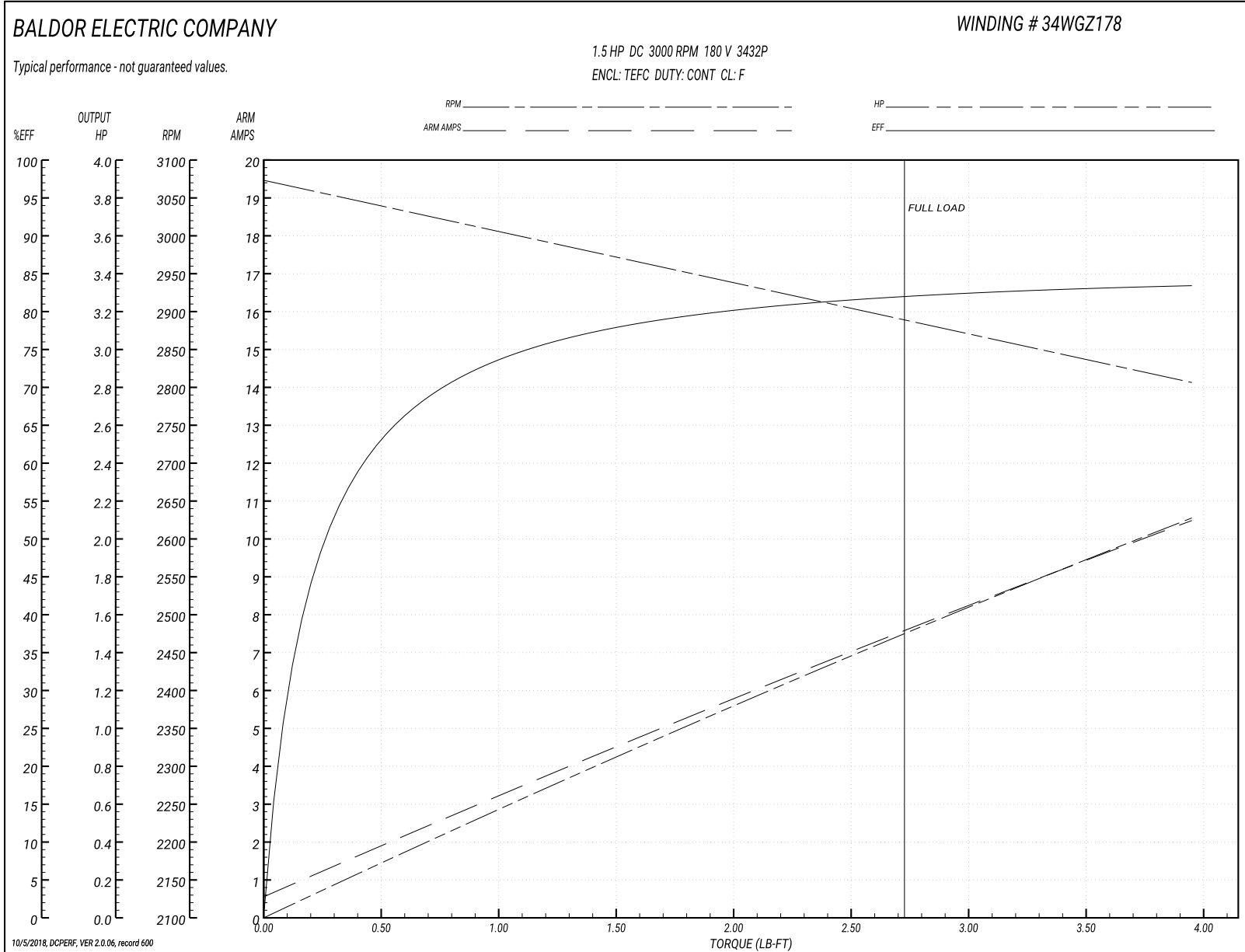
|                               |                    |                        |
|-------------------------------|--------------------|------------------------|
| <b>Winding:</b> 34WGZ178-R001 | <b>Type:</b> 3432P | <b>Enclosure:</b> TEFC |
|-------------------------------|--------------------|------------------------|

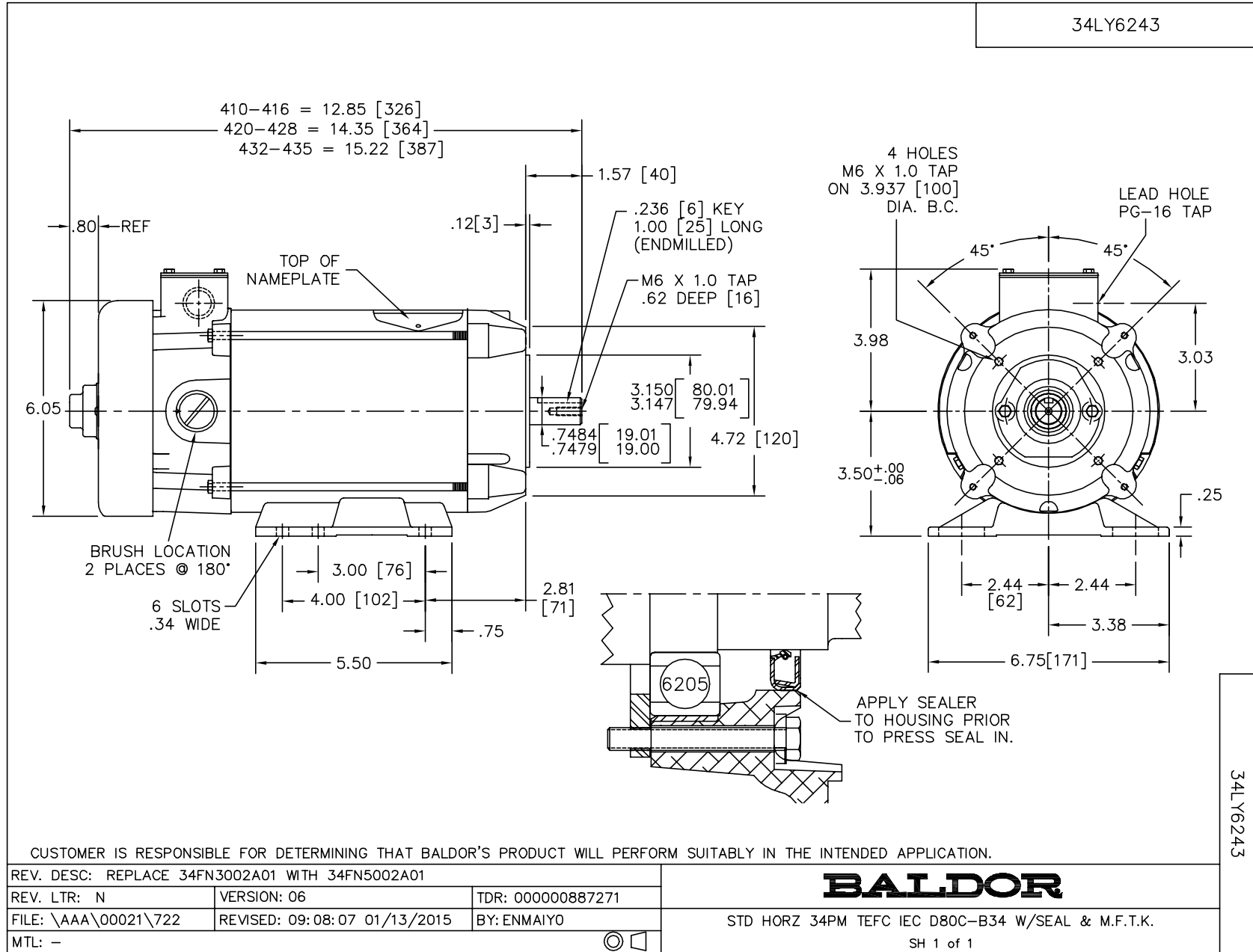
| Nameplate Data    |              | General Characteristics    |          |
|-------------------|--------------|----------------------------|----------|
| Rated Output (HP) | 1.5          | Armature Resistance @ 25°C | 0.8865 Ω |
| R.P.M.            | 3000         |                            |          |
| Armature Volts    | 180          |                            |          |
| Armature Amps     | 7.7          |                            |          |
| Field Volts       |              | Armature Inductance        | 9.116 mH |
| Field Amps        |              |                            |          |
| Rating - Duty     | 40C AMB-CONT |                            |          |
| Form Factor       | 1.5          |                            |          |
|                   |              |                            |          |

Load Characteristics at 180 Armature Volts

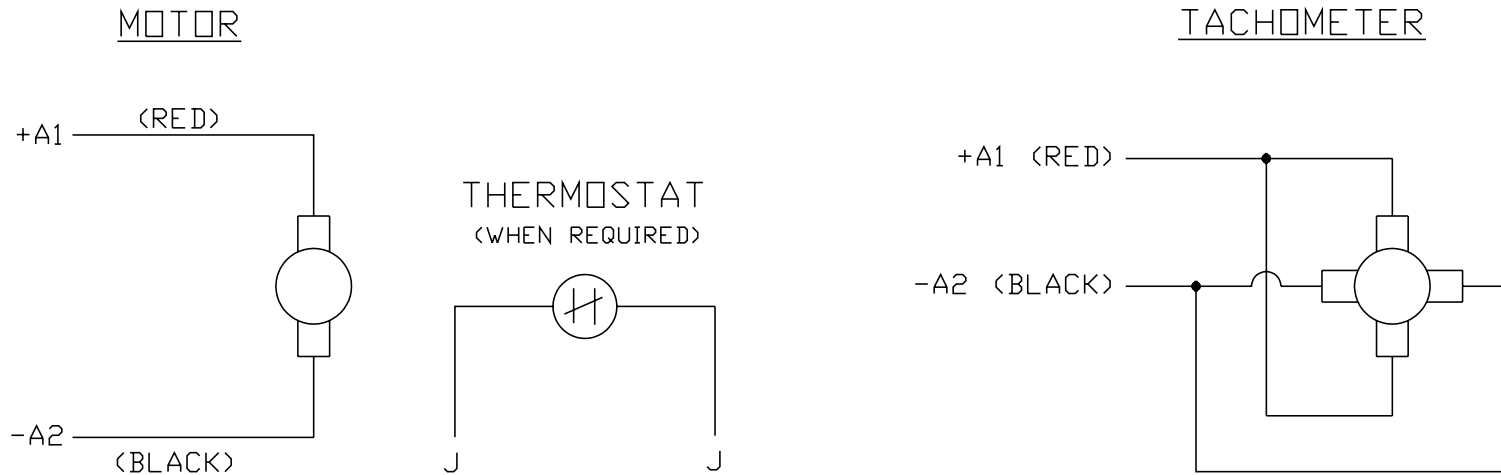
| Load Point       | 1    | 2    | 3    | 4    | 5    | 6    | 7     |
|------------------|------|------|------|------|------|------|-------|
| Armature Amps    | 0.51 | 2.41 | 4.04 | 5.73 | 7.3  | 8.91 | 10.52 |
| R.P.M.           | 3083 | 3018 | 2983 | 2934 | 2902 | 2855 | 2804  |
| Torque ( LB-FT ) | 0    | 0.66 | 1.32 | 1.97 | 2.63 | 3.29 | 3.95  |

Performance Graph at 180.0 Arm V, 1.5HP Typical performance - Not guaranteed values





CD0194



NOTES:

1. CCW ROTATION AS SHOWN FACING COMMUTATOR END. TO REVERSE MOTOR ROTATION OR TACHOMETER OUTPUT POLARITY INTERCHANGE LEADS A1(RED) & A2(BLACK)
2. LEAD COLORS FOR REFERENCE ONLY & NOT SPECIFIED BY THIS DRAWING. LEAD COLORS SPECIFIED BY LAYOUT DRAWING & BILL OF MATERIAL ONLY.

|         |  |        |                   |
|---------|--|--------|-------------------|
| MATL: - |  |        |                   |
| REV: E  | ADDED NOTE "LEAD COLORS FOR REFERENCE ONLY &..." |        |                   |
| 761000  | SCALE: -   | BY: CK | REVISED: 07/28/95 |
|         | FILE: AAA00004503                                |        | TDR: 0078737      |

**BALDOR ELECTRIC Co.**

CD TYPE P DC PERMANENT MAGNET MOTORS AND TACHOMETERS

CD0194