



Customer information packet

P18G2135

5HP, 1800RPM, 3PH, 60HZ, L184T, TEFC, FOOT,
Class - None
Division - Not Applicable

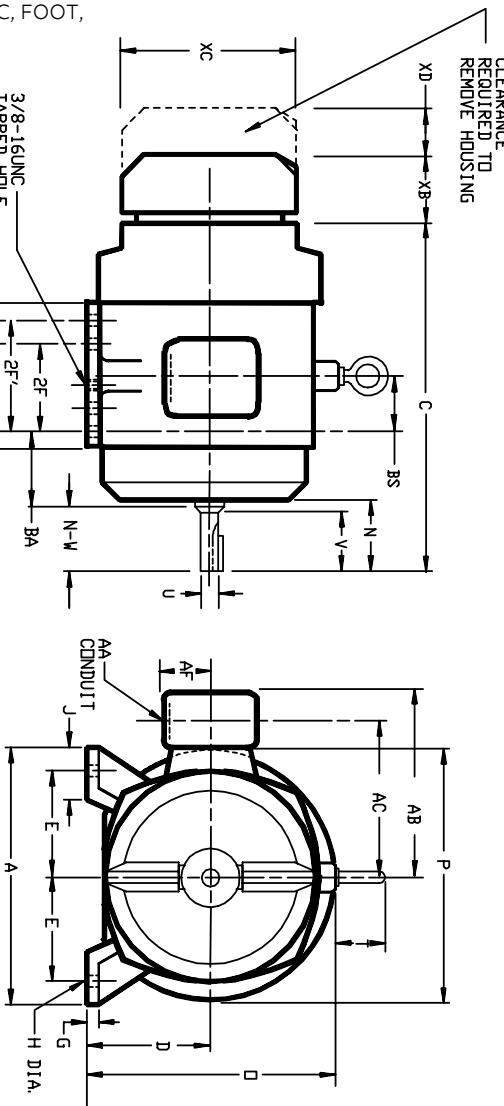
DUTY MASTER ALTERNATING CURRENT MOTORS

SQUIREL-CAGE INDUCTION
CAST IRON CONSTRUCTION

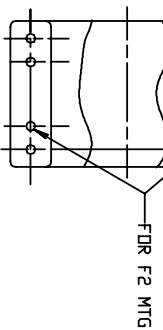
ENCLOSURE: TOTALLY ENCLOSED
MOUNTING: FOOT

COOLING: FAN COOLED
ACCESSORIES: INTERGAL MOUNTED
STEARNS BRAKE

FRAMES 180T THRU 210T



* STANDARD FRAMES HAVE 8 HOLES FOR
DUAL MOUNTING AND F-2 CONVERSION
** LONG FRAMES HAVE 6 HOLES FOR DUAL
MOUNTING, NOT SUITABLE FOR F-2
CONVERSION



DIMENSIONS ARE IN INCHES

FRAME	A	D(2)	E	G	H	J	D	P	T	AA	AB	AC	AF	AF	BA	WEIGHT LBS. (4)
180T-180T	9.00	4.50	3.75	.44	1.75	9.88	9.25	2.00	3/4	7.81	6.31	1.94	2.75	2.01	1210T	80
210T-210T	10.50	5.25	4.25	.44	2.00	11.25	10.50	2.00	1	8.69	7.19	1.94	3.50	2.01	1215T	110

FRAME	FT. TORQUE L.B.	BRAKE MODEL STD.	W.T. L.B.	XB	BRAKE MODEL D/W.P.	W.T. L.B.	XB	XC	XD
180T	1841 *	1-056-611	15	4.50	1-056-612	15	4.60		
180T	1841 *	1-056-621	15	4.50	1-056-622	15	4.60		
180T	1841 **	1-056-631	17	4.95	1-056-632	17	5.05	6.88	3.25
180T	2131 *	1-056-641	17	4.95	1-056-642	17	5.05		
210T	2131 *	1-056-651	21	4.95	1-056-652	21	5.05		
210T	2131 **	1-056-661	21	4.95	1-056-662	21	5.05		
210T	2131 **	(6) 87000 BRAKE							
210T	2131 **	1-087-011	18	7.38	1-087-012	42	7.56		
210T	2131 **	1-087-021	19	7.38	1-087-022	43	7.56		
210T	2131 **	1-087-031	19	7.38	1-087-032	43	7.56		
210T	2131 **	1-087-041	22	7.38	1-087-042	46	7.56	9.38	4.69
210T	2131 **	1-087-051	22	7.88	1-087-052	47	8.06		
210T	2131 **	1-087-061	25	7.88	1-087-062	50	8.06		
210T	2131 **	1-087-081	28	8.38	1-087-082	54	8.56		

- (1) SPECIAL DIMENSIONS ON THIS LINE.
- (2) 'U' VARIES +.0000, -.0005
- (3) 'D' VARIES +.00, -.03
- (4) MOTOR WEIGHTS MAY VARY BY 15% FOR NON-STANDARD RATINGS.
- (5) 56,000 SERIES - 180TC FRAMES-NO ADAPTER USED
- 210TC FRAMES
ADD .88 TO 'C' DIM. TO ACCOMMODATE ADAPTER
ADD .75 TO 'C' DIM. TO ACCOMMODATE ADAPTER
- 210TC NO ADAPTER USED
- (6) 87,000 SERIES - 180TC FRAMES-NO ADAPTER USED
ADD .75 TO 'C' DIM. TO ACCOMMODATE ADAPTER
- 210TC NO ADAPTER USED

FRAME	FT. TORQUE L.B.	BRAKE MODEL STD.	W.T. L.B.	XB	BRAKE MODEL D/W.P.	W.T. L.B.	XB	XC	XD
10	1-087-011	18	7.38	1-087-012	42	7.56			
15	1-087-021	19	7.38	1-087-022	43	7.56			
25	1-087-031	19	7.38	1-087-032	43	7.56			
35	1-087-041	22	7.38	1-087-042	46	7.56	9.38		
50	1-087-051	22	7.88	1-087-052	47	8.06			
75	1-087-061	25	7.88	1-087-062	50	8.06			
105	1-087-081	28	8.38	1-087-082	54	8.56			

TERMINAL BOX LOCATED ON OPPOSITE SIDE WHEN F-2, U-4, N-5, V-7 OR MOUNTING IS SPECIFIED.
MAXIMUM PERMISSIBLE SHAFT RUNDOUT WHEN MEASURED AT END OF STANDARD SHAFT EXTENSION IS .0021 I. R.
IF MOUNTING CLEARANCE DETAILS ARE REQUIRED, CONSULT FACTORY.

FRAMES 180T THRU 210T
CERTIFIED FOR -
TYPE - _____ RPM - _____ HP - _____ ITEM _____ VOLTAGE - _____
RELIANCE SALES ORDER - APPROVED BY - _____ DATE - _____

RELIANCE ELECTRIC
CLEVELAND, OHIO 44117 U.S.A.

DR. BY - K. G. THOMAS
CK. BY - R. L. BROWN
APP. BY - G. KILBORN
DATE - 3-20-87

613051-23
DIMENSION SHEET
ISSUE DATE: MAY 4, 2001

3e2843-430 10-541-00 E:_DS_AC\613051\023