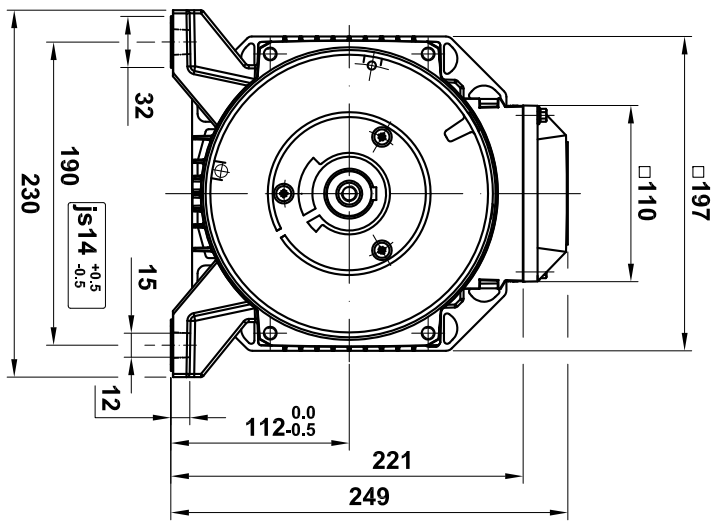
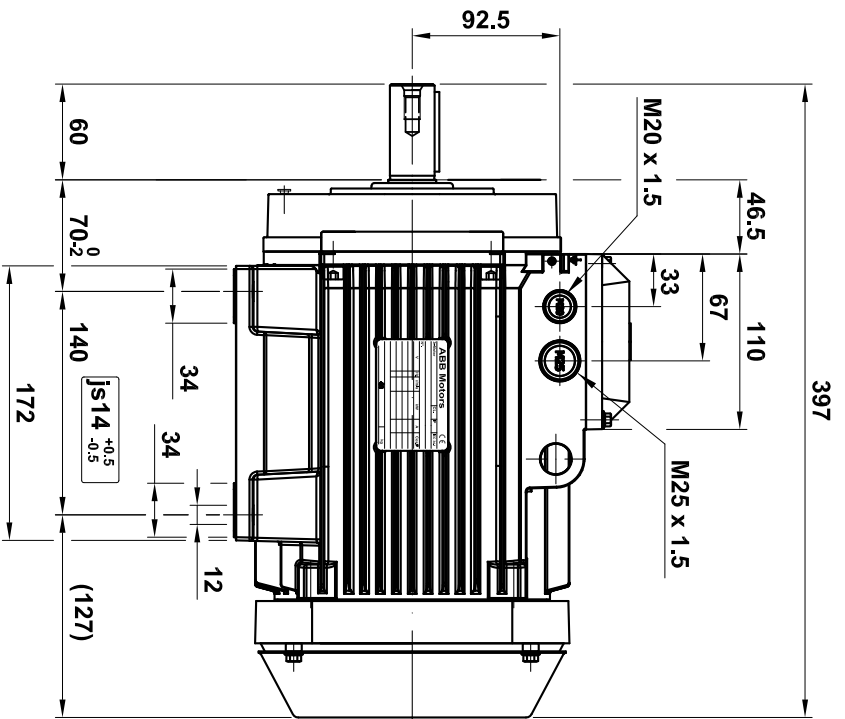
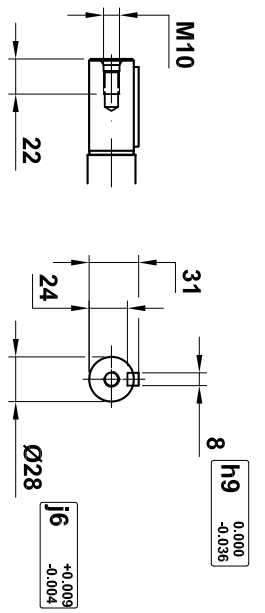


BALDOR® • RELIANCE™

Customer information packet

MM11044-APN

M3AA 112 MB 4P B3 4KW



M3AA 112

+334 +335 +336 +337 +456

Motor Dimension Print

Motor Type :
M3AA 112

Document No :
3GZW500811-1

Description :
Motor foot mounted IM1001



Unit : **ABB AB, LV Motors, Sweden**
Date : **2014-01-21**

Issued by : **Enric Sáenz**
Approved by : **Michael Pettersson**

Replaces :
Replaced by :

Customer Reference :

