



---

# Customer information packet

## M3543T-5

.75HP, 1140RPM, 3PH, 60HZ, 143T, 3428M, TEFC

Class - None

Division - Not Applicable

## Specifications

Enclosure	TEFC
Frame	143T
Frame Material	Steel
Frequency	60.00 Hz
Haz Area Class and Group	None
Haz Area Division	Not Applicable
Motor Letter Type	Three Phase
Output @ Frequency	.750 HP @ 60 HZ
Phase	3
Synchronous Speed @ Frequency	1200 RPM @ 60 HZ
Voltage @ Frequency	575.0 V @ 60 HZ
Agency Approvals	UR CSA
Ambient Temperature	40 °C
Auxillary Box	No Auxillary Box
Auxillary Box Lead Termination	None
Base Indicator	Rigid
Bearing Grease Type	Polyrex EM (-20F +300F)
Blower	None
Current @ Voltage	1.200 A @ 575.0 V
Design Code	B
Drip Cover	No Drip Cover
Duty Rating	CONT
Efficiency @ 100% Load	77.0 %
Electrically Isolated Bearing	Not Electrically Isolated
Feedback Device	NO FEEDBACK
Front Face Code	Standard
Front Shaft Indicator	None
Heater Indicator	No Heater
High Voltage Full Load Amps	1.2 a
Insulation Class	B
Inverter Code	Not Inverter

## Part detail

Revision	V
Type	AC
Mech. spec.	34-3484
Base	
Status	PRD/A
Elec. spec.	34WGW415
Layout	34LY3484
Eff. date	11-06-2024
CD Diagram	CD0006
Poles	06
Leads	3#18
Proprietary	False
Created date	01-01-0001

<b>KVA Code</b>	K
<b>Lifting Lugs</b>	No Lifting Lugs
<b>Locked Bearing Indicator</b>	No Locked Bearing
<b>Motor Lead Exit</b>	Ko Box
<b>Motor Lead Quantity/Wire Size</b>	3 @ 18 AWG
<b>Motor Lead Termination</b>	Flying Leads
<b>Motor Standards</b>	NEMA
<b>Motor Type</b>	3428M
<b>Mounting Arrangement</b>	F1
<b>Number of Poles</b>	6
<b>Overall Length</b>	13.41 IN
<b>Power Factor</b>	59
<b>Product Family</b>	General Purpose
<b>Pulley End Bearing Type</b>	Ball
<b>Pulley Face Code</b>	Standard
<b>Pulley Shaft Indicator</b>	Standard
<b>Rodent Screen</b>	None
<b>Service Factor</b>	1.15
<b>Shaft Diameter</b>	0.875 IN
<b>Shaft Extension Location</b>	Pulley End
<b>Shaft Ground Indicator</b>	No Shaft Grounding
<b>Shaft Rotation</b>	Reversible
<b>Shaft Slinger Indicator</b>	No Slinger
<b>Speed</b>	1140 rpm
<b>Speed Code</b>	Single Speed
<b>Starting Method</b>	Direct on line
<b>Thermal Device - Bearing</b>	None
<b>Thermal Device - Winding</b>	None
<b>Vibration Sensor Indicator</b>	No Vibration Sensor
<b>Winding Thermal 1</b>	None
<b>Winding Thermal 2</b>	None

**Nameplate**

<b>NP1256L</b>									
<b>CAT.NO.</b>	M3543T-5								
<b>SPEC.</b>	34-3484W415								
<b>HP</b>	.75								
<b>VOLTS</b>	575								
<b>AMP</b>	1.2								
<b>RPM</b>	1140								
<b>FRAME</b>	143T		<b>HZ</b>	60		<b>PH</b>	3		
<b>SER.F.</b>	1.15	<b>CODE</b>	K	<b>DES</b>	B	<b>CLASS</b>	B		
<b>NEMA-NOM-EFF</b>	77	<b>PF</b>	59						
<b>RATING</b>	40C AMB-CONT								
<b>CC</b>									
<b>DE</b>	6205		<b>ODE</b>	6203					
<b>ENCL</b>	TEFC	<b>SN</b>							
	SFA 1.3								

**Accessories**

<b>Part number</b>	<b>Description</b>	<b>Multiplier</b>
34-3903T	C FACE KIT	A8

**AC Induction Motor Performance Data**

Record # 6974

Typical performance - not guaranteed values

Winding: 34WGW415-R001		Type: 3428M	Enclosure: TEFC		
<b>Nameplate Data</b>			<b>575 V, 60 Hz: Single Voltage Motor</b>		
Rated Output (HP)	.75	Full Load Torque	3.4 LB-FT		
Volts	575	Start Configuration	direct on line		
Full Load Amps	1.2	Breakdown Torque	11.8 LB-FT		
R.P.M.	1140	Pull-up Torque	9.3 LB-FT		
Hz	60 Phase	3	Locked-rotor Torque	9.7 LB-FT	
NEMA Design Code	B	KVA Code	K	Starting Current	5.9 A
Service Factor (S.F.)	1.15	No-load Current	0.88 A		
NEMA Nom. Eff.	77	Power Factor	59	Line-line Res. @ 25°C	34.5 Ω
Rating - Duty	40C	AMB-CONT	Temp. Rise @ Rated Load	50°C	
S.F. Amps	1.3	Temp. Rise @ S.F. Load	61°C		

**Load Characteristics 575 V, 60 Hz, 0.75 HP**

% of Rated Load	25	50	75	100	125	150	S.F.
Power Factor	26	40	51	59	65	68	63
Efficiency	60	72	76	77	75	73	76
Speed	1185	1170	1155	1135	1115	1095	1125
Line amperes	0.88	0.96	1.12	1.2	1.36	1.6	1.3

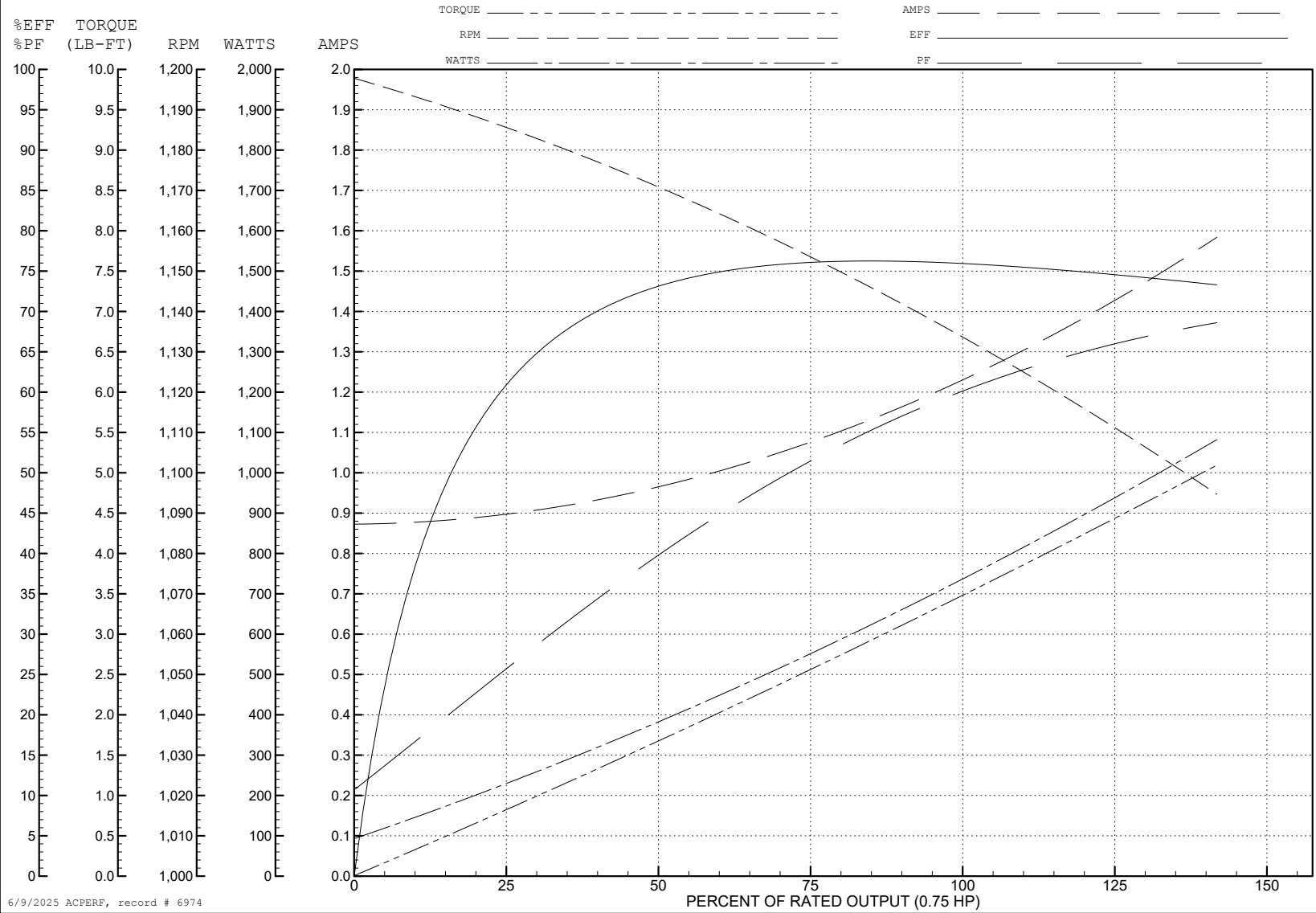
ABB Motors and Mechanical Inc.

WINDING # 34WGW415

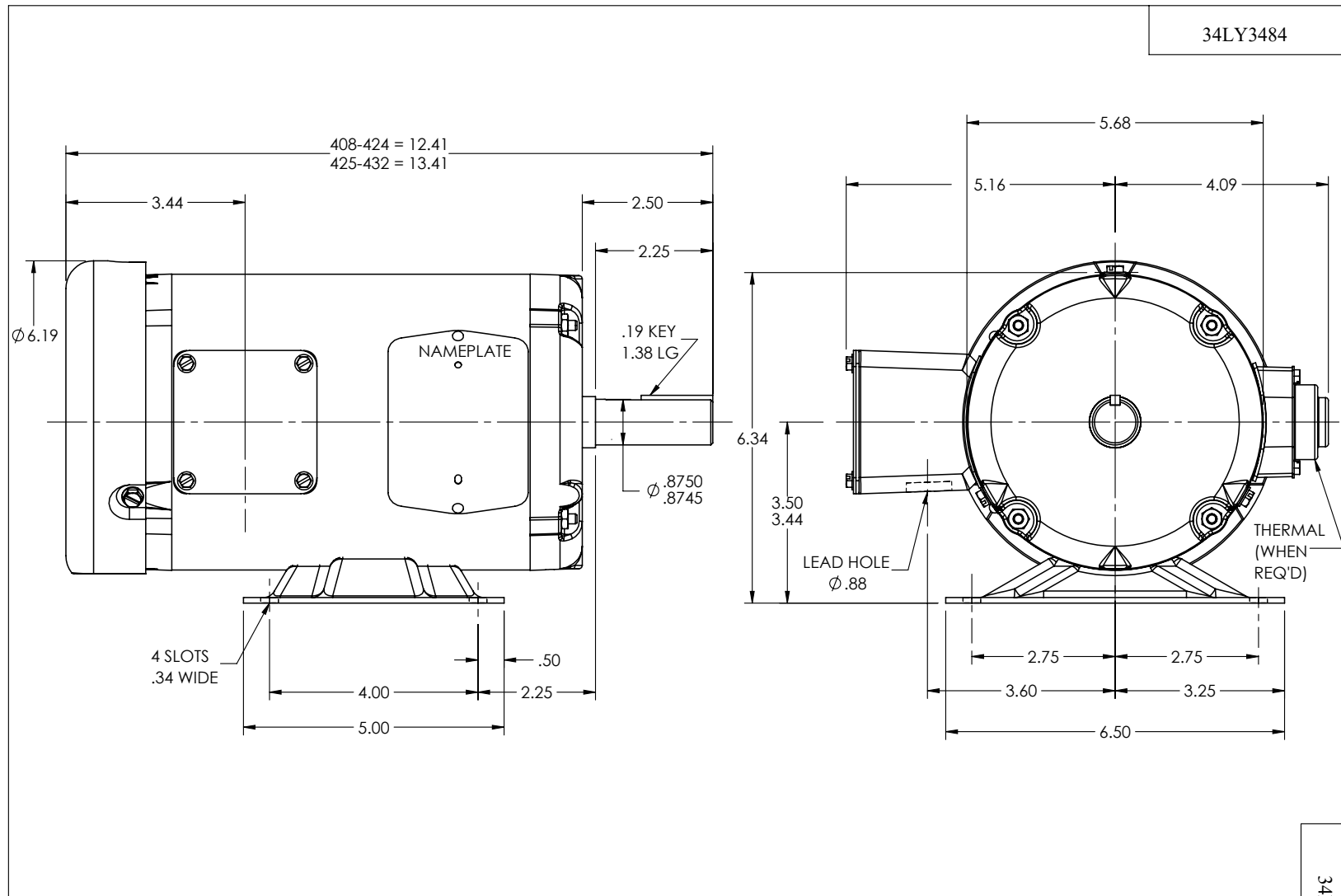
Typical performance - not guaranteed values.

0.75 HP 3 PH 60 HZ 1140 RPM 575 V 3428M

TORQUES (LB-FT): PO=11.8 PU=9.3 LR=9.7 LRA=5.9



6/9/2025 ACPERF, record # 6974



CUSTOMER IS RESPONSIBLE FOR DETERMINING THAT THE PRODUCT WILL PERFORM SUITABLY IN THE INTENDED APPLICATION

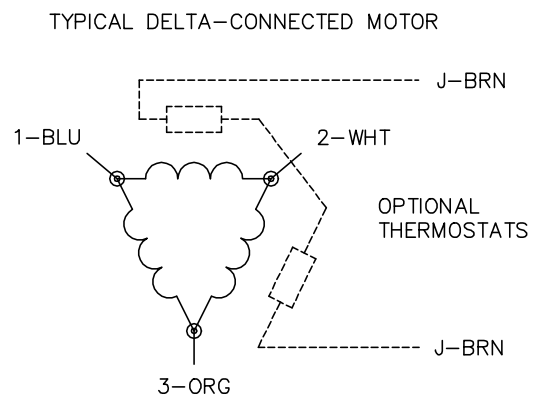
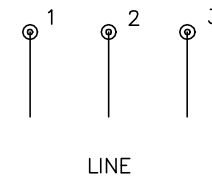
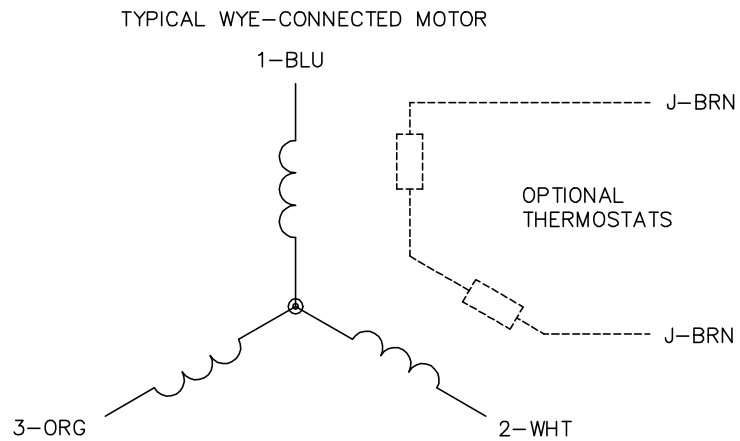
REV. DESC: LOAD TO SOLIDWORKS			
REV: G	VERSION: 02	REVISED: 10:13:12 09/21/2022	TDR: 000001194274
MODEL NO. 34LY3484		REF: -	
BY: ENFRAJ0			

**BALDOR - RELIANCE®**

STD HORZ MODEL 34M NEMA 143T TEFC

34LY3484

CD0006



NOTES:

1. THREE LEAD MOTOR MAY BE EITHER WYE CONNECTED OR DELTA CONNECTED.
2. INTERCHANGE ANY TWO LINE LEADS TO REVERSE ROTATION.
3. OPTIONAL THERMOSTATS ARE PROVIDED WHEN SPECIFIED.
4. ACTUAL NUMBER OF INTERNAL PARALLEL CIRCUITS MAY VARY.
5. LEAD COLORS ARE OPTIONAL. LEADS MUST BE NUMBERED AS SHOWN.

CD0006

REV. DESC: ADD CLASS CONN00000007		
REV. LTR: E	VERSION: 01	TDR: 000001099922
FILE: \AAA\00005\141	REVISED: 10:24:49 02/19/2019	BY: ENBRIRO
MTL: -	© □	

**BALDOR - RELIANCE®**

3PH, SV, 3 LEADS, WYE OR DELTA CONNECTED

SH 1 of 1