

BALDOR • RELIANCE

Customer information packet

L1408TM

3HP, 1725RPM, 1PH, 60HZ, 184T, 3634LC, OPEN, F1

Class - None

Division - Not Applicable

Specifications

Enclosure	OPEN
Frame	184T
Frame Material	Steel
Frequency	60.00 Hz
Haz Area Class and Group	None
Haz Area Division	Not Applicable
Motor Letter Type	Cap Start, Cap Run
Output @ Frequency	3.000 HP @ 60 HZ
Phase	1
Synchronous Speed @ Frequency	1800 RPM @ 60 HZ
Voltage @ Frequency	115.0 V @ 60 HZ 230.0 V @ 60 HZ
Agency Approvals	UR CSA
Ambient Temperature	40 °C
Auxillary Box	No Auxillary Box
Auxillary Box Lead Termination	None
Base Indicator	Rigid
Bearing Grease Type	Polyrex EM (-20F +300F)
Blower	None
Current @ Voltage	16.000 A @ 230.0 V 32.000 A @ 115.0 V
Design Code	L
Drip Cover	No Drip Cover
Duty Rating	CONT
Efficiency @ 100% Load	78.0 %
Electrically Isolated Bearing	Not Electrically Isolated
Feedback Device	NO FEEDBACK
Front Face Code	Standard
Front Shaft Indicator	None
Heater Indicator	No Heater
High Voltage Full Load Amps	16.0 a

Part detail

Revision	BB
Type	AC
Mech. spec.	36E002
Base	
Status	PRD/A
Elec. spec.	36WG2761
Layout	36LYE002
Eff. date	12-27-2024
CD Diagram	CD0016A03
Poles	04
Leads	4#14 A&J,3#16 B PH,1#10 #4TH
Proprietary	False
Created date	01-01-0001

Insulation Class	F
Inverter Code	Not Inverter
KVA Code	H
Lifting Lugs	No Lifting Lugs
Locked Bearing Indicator	No Locked Bearing
Motor Lead Exit	Ko Box
Motor Lead Quantity/Wire Size	4 @ 14 AWG, A&J
Motor Lead Termination	Flying Leads
Motor Standards	NEMA
Motor Type	3634LC
Mounting Arrangement	F1
Number of Poles	4
Overall Length	15.00 IN
Power Factor	78
Product Family	General Purpose
Pulley End Bearing Type	Ball
Pulley Face Code	Standard
Pulley Shaft Indicator	Standard
Rodent Screen	None
Service Factor	1.15
Shaft Diameter	1.125 IN
Shaft Extension Location	Pulley End
Shaft Ground Indicator	No Shaft Grounding
Shaft Rotation	Reversible
Shaft Slinger Indicator	No Slinger
Speed	1725 rpm
Speed Code	Single Speed
Starting Method	Direct on line
Thermal Device - Bearing	None
Thermal Device - Winding	Do Not Use
Vibration Sensor Indicator	No Vibration Sensor
Winding Thermal 1	Manual Thermal Overload
Winding Thermal 1 Location	SK
Winding Thermal 2	None

Nameplate

NP1257L									
CAT.NO.	L1408TM								
SPEC.	36E02-2761								
HP	3								
VOLTS	115/230								
AMP	32/16								
RPM	1725								
FRAME	184T			HZ	60		PH	1	
SER.F.	1.15	CODE	H	DES	L	CL	F		
NEMA-NOM-EFF	78	PF	78						
RATING	40C AMB-CONT								
CC									
DE	6206	ODE	6205						
ENCL	OPEN	SN							

Accessories

Part number	Description	Multiplier
36-3403	C FACE KIT	A8
36EP1405A09SP	D-FLANGE KIT	

AC Induction Motor Performance Data

Record # 61459

Typical performance - not guaranteed values

Winding: 36WG2761-R002		Type: 3634LC		Enclosure: OPEN	
Nameplate Data			230 V, 60 Hz: High Voltage Connection		
Rated Output (HP)	3		Full Load Torque	9 LB-FT	
Volts	115/230		Start Configuration	direct on line	
Full Load Amps	32/16		Breakdown Torque	21 LB-FT	
R.P.M.	1725		Pull-up Torque	14.4 LB-FT	
Hz	60 Phase	1	Locked-rotor Torque	30.8 LB-FT	
NEMA Design Code	L	KVA Code	H	Starting Current	107 A
Service Factor (S.F.)	1.15		No-load Current	8.5 A	
NEMA Nom. Eff.	78	Power Factor	78	Line-line Res. @ 25°C	4.156 Ω A Ph 0.586 Ω B Ph
Rating - Duty	40C AMB-CONT		Temp. Rise @ Rated Load		

Load Characteristics 230 V, 60 Hz, 3 HP

% of Rated Load	25	50	75	100	125	150	S.F.
Power Factor	45	64	73	79	85	83	83
Efficiency	62.6	74.9	78.6	78	75	74.9	76.1
Speed	1788	1780	1769	1756	1733	1721	1742
Line amperes	9.1	10.4	15.8	16	19	23	17.8

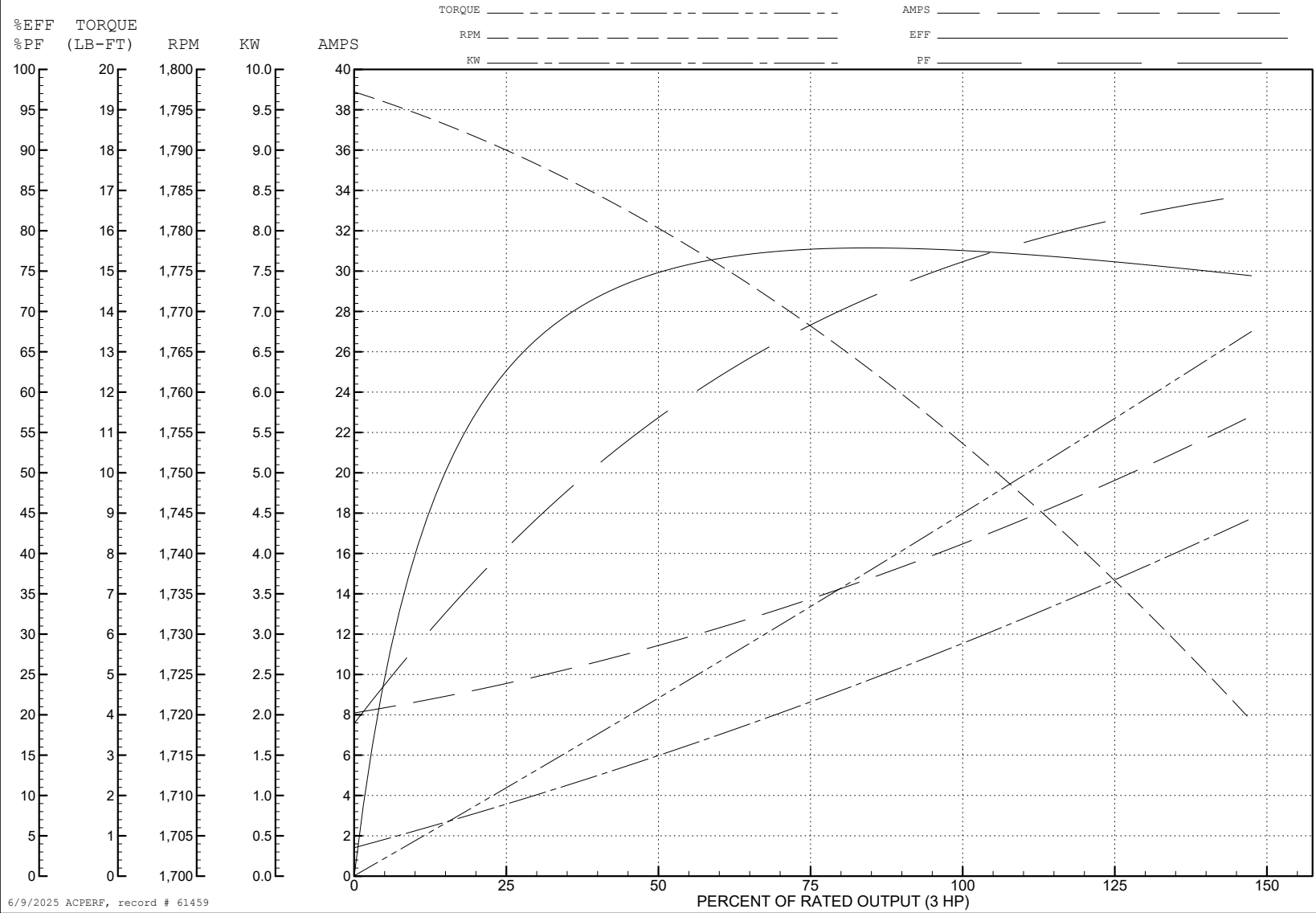
ABB Motors and Mechanical Inc.

WINDING # 36WG2761

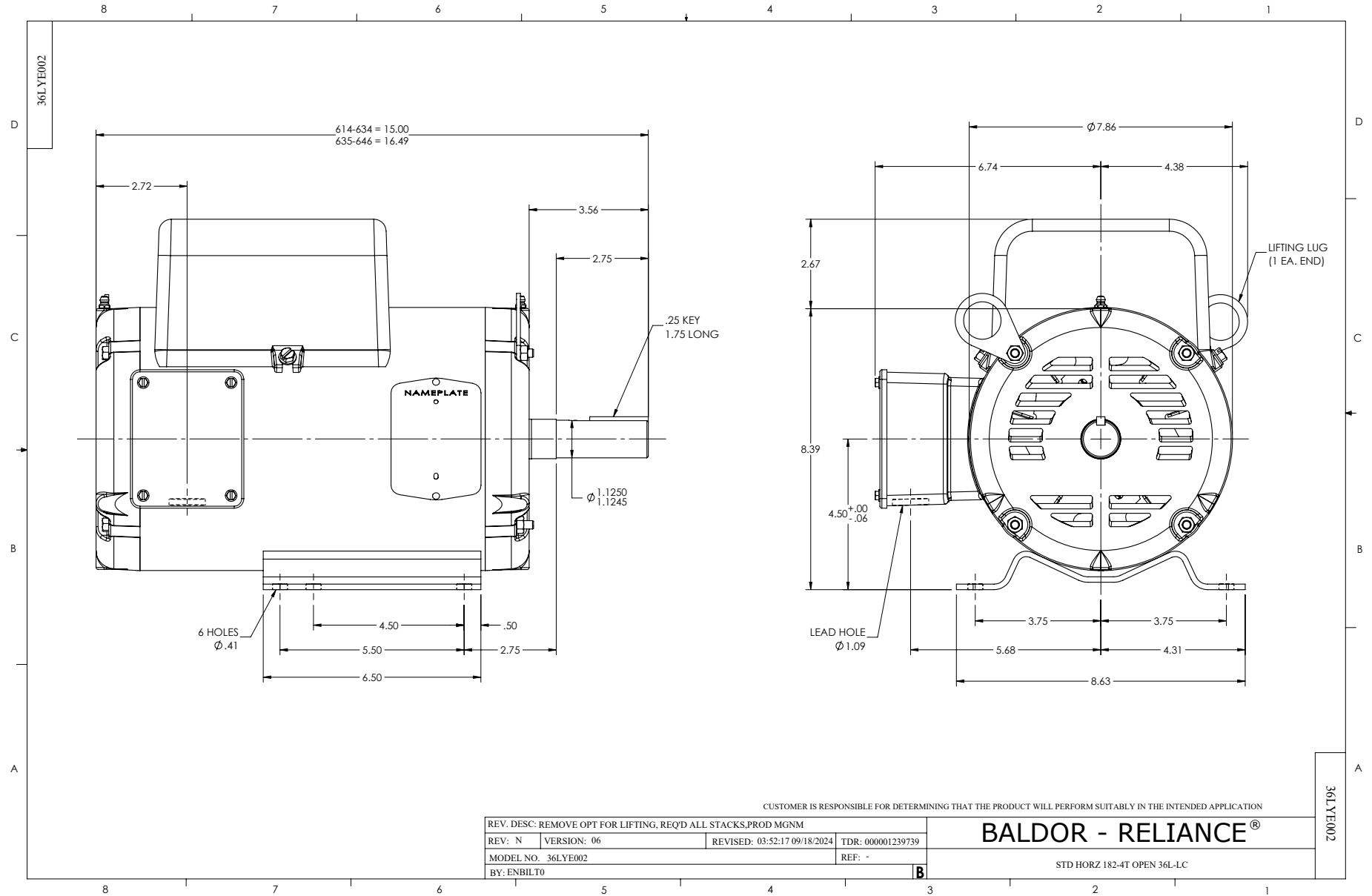
Typical performance - not guaranteed values.

3 HP 1 PH 60 HZ 1725 RPM 230 V 3634LC

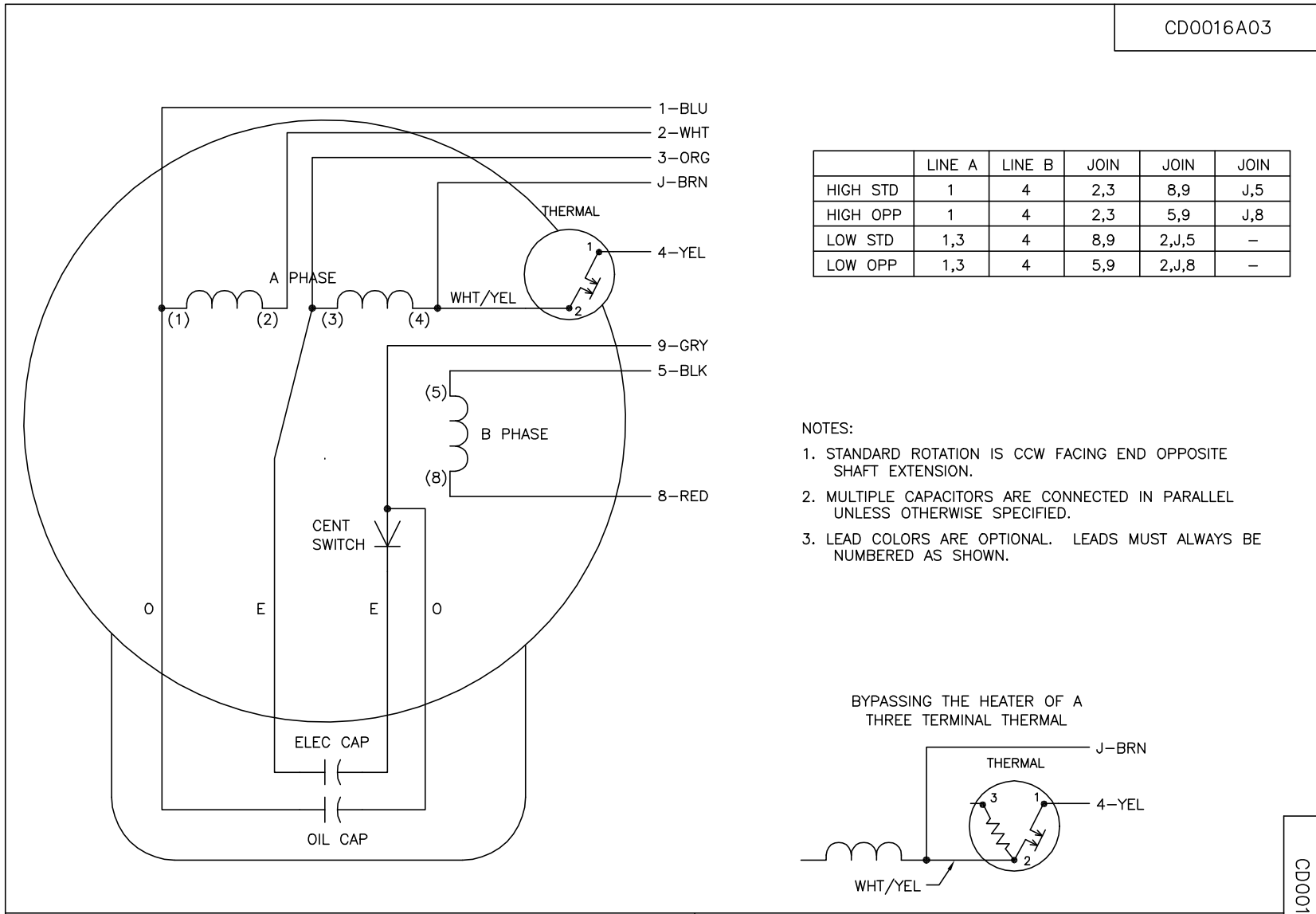
TORQUES (LB-FT): PO=21 PU=14.4 LR=30.8 LRA=107



6/9/2025 ACPERF, record # 61459



CD0016A03

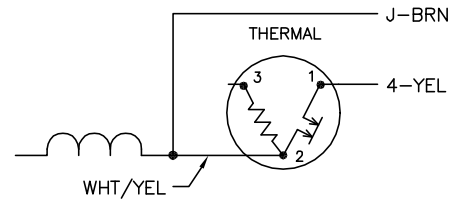


	LINE A	LINE B	JOIN	JOIN	JOIN
HIGH STD	1	4	2,3	8,9	J,5
HIGH OPP	1	4	2,3	5,9	J,8
LOW STD	1,3	4	8,9	2,J,5	-
LOW OPP	1,3	4	5,9	2,J,8	-

NOTES:

1. STANDARD ROTATION IS CCW FACING END OPPOSITE SHAFT EXTENSION.
2. MULTIPLE CAPACITORS ARE CONNECTED IN PARALLEL UNLESS OTHERWISE SPECIFIED.
3. LEAD COLORS ARE OPTIONAL. LEADS MUST ALWAYS BE NUMBERED AS SHOWN.

BYPASSING THE HEATER OF A THREE TERMINAL THERMAL



REV. DESC: NEW		
REV. LTR: -	VERSION: 00	TDR: 000000360649
CD0016A03	FILE: \AAA\00126\040	REVISED: 10:27:12 04/18/2005
	MTL: -	BY: ENJOEPO

BALDOR ELECTRIC Co.

TYPE LC, DV, REV,OIL CAP ACR. LINE, 2-TERMINAL THERMAL,8 LDS

CD0016A03