



---

# Customer information packet

## EM2535T-CI

30HP, 1775RPM, 3PH, 60HZ, 286T, 1052M, OPEN, F1

Class - None

Division - Not Applicable

## Specifications

Enclosure	OPEN
Frame	286T
Frame Material	Iron
Frequency	60.00 Hz
Haz Area Class and Group	None
Haz Area Division	Not Applicable
Motor Letter Type	Three Phase
Output @ Frequency	30.000 HP @ 60 HZ
Phase	3
Synchronous Speed @ Frequency	1800 RPM @ 60 HZ
Voltage @ Frequency	460.0 V @ 60 HZ 230.0 V @ 60 HZ
Agency Approvals	NEMA PREMIUM NEMA_PREMIUM UR CSA EEV
Ambient Temperature	40 °C
Auxillary Box	No Auxillary Box
Auxillary Box Lead Termination	None
Base Indicator	Rigid
Bearing Grease Type	Polyrex EM (-20F +300F)
Blower	None
Current @ Voltage	76.000 A @ 208.0 V 76.000 A @ 230.0 V 38.000 A @ 460.0 V
Design Code	A
Drip Cover	No Drip Cover
Duty Rating	CONT
Efficiency @ 100% Load	94.1 %
Electrically Isolated Bearing	Not Electrically Isolated
Feedback Device	NO FEEDBACK
Front Face Code	Standard

## Part detail

Revision	K
Type	AC
Mech. spec.	10D01
Base	
Status	PRD/A
Elec. spec.	10WGZ654
Layout	10LYD001
Eff. date	06-27-2024
CD Diagram	CD0180
Poles	04
Leads	9#10
Proprietary	False
Created date	06-30-2017

Front Shaft Indicator	None
Heater Indicator	No Heater
High Voltage Full Load Amps	38.0 a
Insulation Class	F
Inverter Code	Inverter Ready
KVA Code	H
Lifting Lugs	Standard Lifting Lugs
Locked Bearing Indicator	Locked Bearing
Motor Lead Exit	Ko Box
Motor Lead Quantity/Wire Size	9 @ 10 AWG
Motor Lead Termination	Flying Leads
Motor Standards	NEMA
Motor Type	1052M
Mounting Arrangement	F1
Number of Poles	4
Overall Length	24.94 IN
Power Factor	77
Product Family	General Purpose
Pulley End Bearing Type	Ball
Pulley Face Code	Standard
Pulley Shaft Indicator	Standard
Rodent Screen	None
Service Factor	1.15
Shaft Diameter	1.875 IN
Shaft Extension Location	Pulley End
Shaft Ground Indicator	No Shaft Grounding
Shaft Rotation	Reversible
Shaft Slinger Indicator	No Slinger
Speed	1775 rpm
Speed Code	Single Speed
Starting Method	Direct on line
Thermal Device - Bearing	None
Thermal Device - Winding	None
Vibration Sensor Indicator	No Vibration Sensor

Winding Thermal 1

None

---

Winding Thermal 2

None

---

**Nameplate**

NP3554LUA										
<b>CAT.NO.</b>	EM2535T-CI			<b>P/N</b>				<b>ENCL</b>		<b>OPEN</b>
<b>SPEC.</b>	10D001Z654G1	<b>CC</b>	010A	<b>FRAME</b>		286T	<b>SER.NO.</b>			
<b>HP</b>	30	<b>CLASS</b>		F	<b>HZ</b>	60				
<b>RPM</b>	1775	<b>PH</b>	3	<b>DES</b>		A				
<b>VOLTS</b>	230/460			<b>CODE</b>		H	<b>ODE BRG</b>	6309	<b>DE BRG</b>	6310
<b>AMPS</b>	76/38									
<b>RATING</b>	40C AMB-CONT			<b>NEMA-NOM-EFF</b>		94.1	<b>GREASE</b>	POLYREX EM		
<b>PF</b>	77	<b>SER.F.</b>	1.15	<b>CT30-60(2:1) VT3-60(20:1)</b>						
<b>USABLE AT</b>	50HZ 30HP 190/380V 88/44A			<b>SF 1.0</b>						
<b>HTR-VOLTS</b>	<b>HTR-AMPS</b>	<b>MAX. SPACE HEATER TEMP.</b>								

**AC Induction Motor Performance Data**

Record # 66162

Typical performance - not guaranteed values

Winding: 10WGZ654-R001		Type: 1052M	Enclosure: OPEN
<b>Nameplate Data</b>		<b>460 V, 60 Hz: High Voltage Connection</b>	
Rated Output (HP)	30	Full Load Torque	88.57 LB-FT
Volts	230/460	Start Configuration	direct on line
Full Load Amps	78/39	Breakdown Torque	302 LB-FT
R.P.M.	1770	Pull-up Torque	128 LB-FT
Hz	60 Phase	Locked-rotor Torque	166 LB-FT
NEMA Design Code	A KVA Code	Starting Current	254 A
Service Factor (S.F.)	1.15	No-load Current	19.1 A
NEMA Nom. Eff.	94.1 Power Factor	Line-line Res. @ 25°C	0.22704 Ω
Rating - Duty	40C AMB-CONT	Temp. Rise @ Rated Load	33°C
S.F. Amps		Temp. Rise @ S.F. Load	39°C
		Locked-rotor Power Factor	32.4

**Load Characteristics 460 V, 60 Hz, 30 HP**

% of Rated Load	25	50	75	100	125	150	S.F.
Power Factor	38	60	72	78	82	83	80
Efficiency	89.4	93.3	94.2	94.2	93.9	93.3	94
Speed	1794	1789.1	1783.8	1778.2	1772.3	1765.7	1775
Line amperes	20.9	25.2	31.1	38	45.8	54.3	42.7

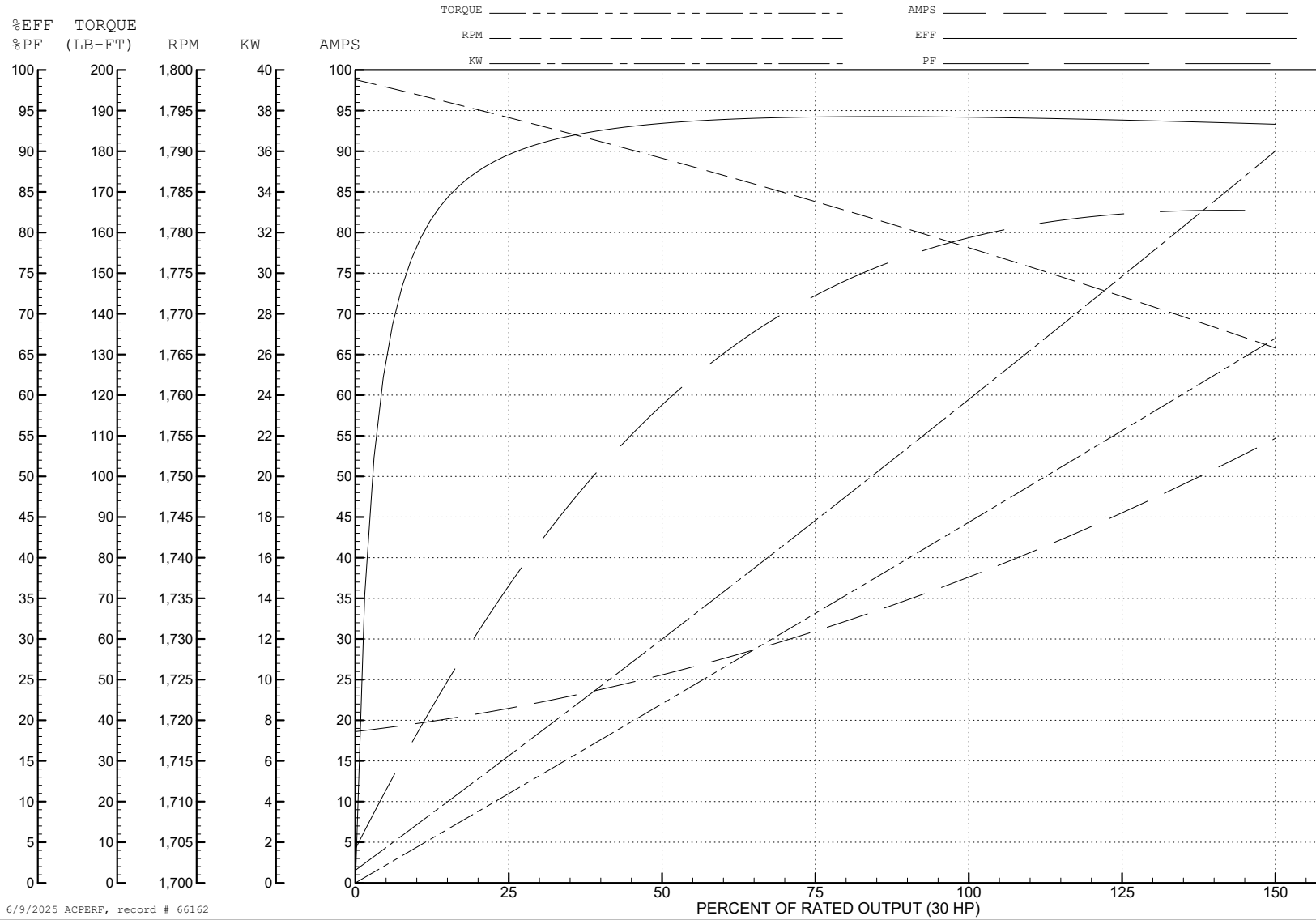
ABB Motors and Mechanical Inc.

WINDING # 10WGZ654

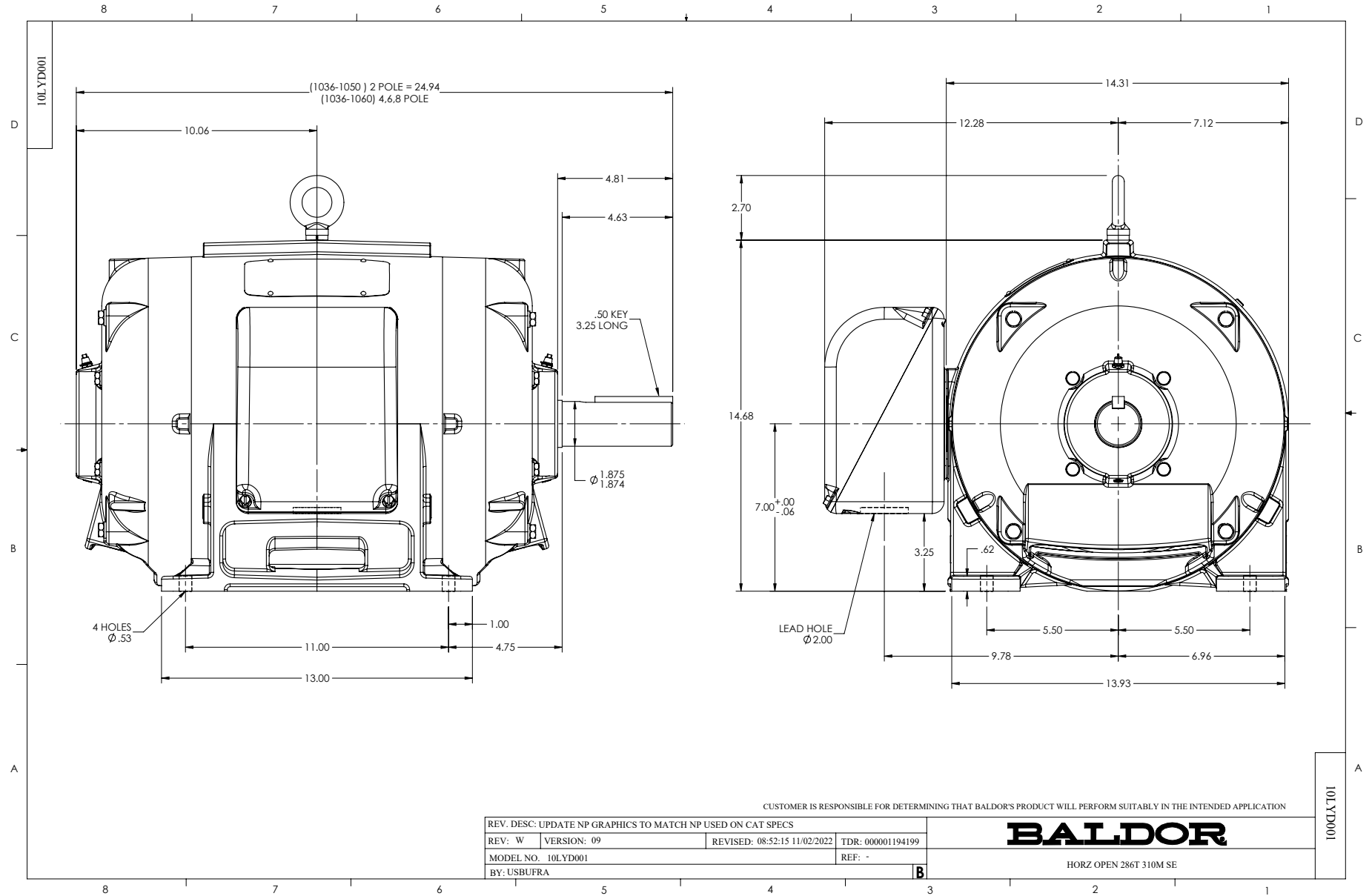
Typical performance - not guaranteed values.

30 HP 3 PH 60 HZ 1770 RPM 460 V 1052M

TORQUES (LB-FT): PO=302 PU=128 LR=166 LRA=254



6/9/2025 ACPERF, record # 66162



CD0180



LOW VOLTAGE  
(2D)



HIGH VOLTAGE  
(1D)



NOTES:

1. INTERCHANGE ANY TWO LINE LEADS TO REVERSE ROTATION.
2. OPTIONAL THERMOSTATS ARE PROVIDED WHEN SPECIFIED.
3. ACTUAL NUMBER OF INTERNAL PARALLEL CIRCUITS MAY BE A MULTIPLE OF THOSE SHOWN ABOVE.
4. LEAD COLORS ARE OPTIONAL. LEADS MUST ALWAYS BE NUMBERED AS SHOWN.

CD0180

REV. DESC: ADD CLASS CONN00000007		
REV. LTR: D	VERSION: 01	TDR: 000001099922
FILE: \AAA\00005\148	REVISED: 10: 25: 29 02/19/2019	BY: ENBRIRO
MTL: -	© □	

**BALDOR - RELIANCE®**

3PH, DV, 9 LEADS, DELTA CONNECTION

SH 1 of 1