



Customer information packet

CEM3711T-5

10HP, 3490RPM, 3PH, 60HZ, 215TC, 3728M, TEFC, F

Class - None

Division - Not Applicable

Specifications

Enclosure	TEFC
Frame	215TC
Frame Material	Steel
Frequency	60.00 Hz
Haz Area Class and Group	None
Haz Area Division	Not Applicable
Motor Letter Type	Three Phase
Output @ Frequency	10.000 HP @ 60 HZ
Phase	3
Synchronous Speed @ Frequency	3600 RPM @ 60 HZ
Voltage @ Frequency	575.0 V @ 60 HZ
Agency Approvals	CSA EEV CURUSEEV NEMA PREMIUM NEMA_PREMIUM UR
Ambient Temperature	40 °C
Auxillary Box	No Auxillary Box
Auxillary Box Lead Termination	None
Base Indicator	Rigid
Bearing Grease Type	Polyrex EM (-20F +300F)
Blower	None
Current @ Voltage	9.500 A @ 575.0 V
Design Code	B
Drip Cover	No Drip Cover
Duty Rating	CONT
Efficiency @ 100% Load	90.2 %
Electrically Isolated Bearing	Not Electrically Isolated
Feedback Device	NO FEEDBACK
Front Face Code	Standard
Front Shaft Indicator	None
Heater Indicator	No Heater

Part detail

Revision	P
Type	AC
Mech. spec.	37G814
Base	
Status	PRD/A
Elec. spec.	37WGR021
Layout	37LYG814
Eff. date	05-02-2024
CD Diagram	CD0006
Poles	02
Leads	3#14
Proprietary	False
Created date	11-28-2011

High Voltage Full Load Amps	9.5 a
Insulation Class	F
Inverter Code	Inverter Ready
KVA Code	G
Lifting Lugs	Standard Lifting Lugs
Locked Bearing Indicator	Locked Bearing
Motor Lead Exit	Ko Box
Motor Lead Quantity/Wire Size	3 @ 14 AWG
Motor Lead Termination	Flying Leads
Motor Standards	NEMA
Motor Type	3728M
Mounting Arrangement	F1
Number of Poles	2
Overall Length	18.63 IN
Power Factor	87
Product Family	General Purpose
Pulley End Bearing Type	Ball
Pulley Face Code	C-Face
Pulley Shaft Indicator	Standard
Rodent Screen	None
RoHS Status	ROHS COMPLIANT
Service Factor	1.15
Shaft Diameter	1.375 IN
Shaft Extension Location	Pulley End
Shaft Ground Indicator	No Shaft Grounding
Shaft Rotation	Reversible
Shaft Slinger Indicator	No Slinger
Speed	3490 rpm
Speed Code	Single Speed
Starting Method	Direct on line
Thermal Device - Bearing	None
Thermal Device - Winding	None
Vibration Sensor Indicator	No Vibration Sensor
Winding Thermal 1	None

Winding Thermal 2

None

Nameplate**NP3441L**

CAT.NO.	CEM3711T-5						
SPEC.	37G814R021G1						
HP	10						
VOLTS	575						
AMP	9.5						
RPM	3490						
FRAME	215TC		HZ	60		PH	3
SER.F.	1.15	CODE	G	DES	B	CL	F
NEMA-NOM-EFF	90.2	PF	87				
RATING	40C AMB-CONT						
CC	010A						
DE	6307	ODE	6206				
ENCL	TEFC	SN					

VPWM INVERTER READY**CT6-60H(10:1)VT3-60H(20:1)**

AC Induction Motor Performance Data

Record # 36090

Typical performance - not guaranteed values

Winding: 37WGR021-R001		Type: 3728M		Enclosure: TEFC	
Nameplate Data			575 V, 60 Hz: Single Voltage Motor		
Rated Output (HP)	10	Full Load Torque	15 LB-FT		
Volts	575	Start Configuration	direct on line		
Full Load Amps	9.5	Breakdown Torque	47.2 LB-FT		
R.P.M.	3490	Pull-up Torque	22.7 LB-FT		
Hz	60	Locked-rotor Torque	26.4 LB-FT		
NEMA Design Code	B	Starting Current	62.9 A		
Service Factor (S.F.)	1.15	No-load Current	3.53 A		
NEMA Nom. Eff.	90.2	Line-line Res. @ 25°C	1.48 Ω		
Rating - Duty	40C	Temp. Rise @ Rated Load	78°C		
S.F. Amps	AMB-CONT	Temp. Rise @ S.F. Load	97°C		
		Locked-rotor Power Factor	33		
		Rotor inertia	0.255 LB-FT ²		

Load Characteristics 575 V, 60 Hz, 10 HP

% of Rated Load	25	50	75	100	125	150	S.F.
Power Factor	50	72	82	86	88	89	88
Efficiency	86.7	90.9	91.4	90.8	89.3	87.7	90
Speed	3576	3548	3517	3484	3448	3406	3463
Line amperes	4.15	5.65	7.43	9.57	11.8	14.4	10.8

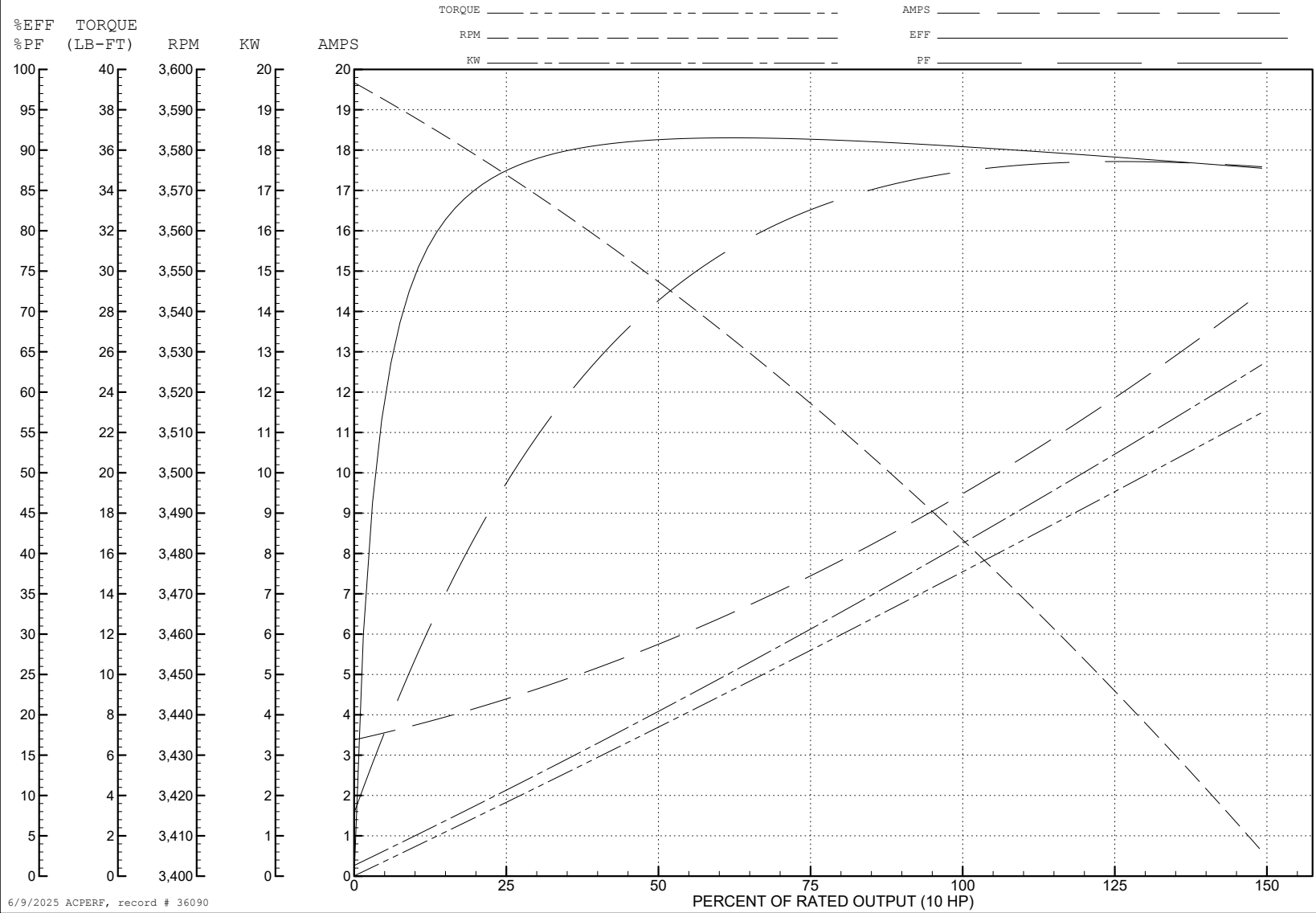
ABB Motors and Mechanical Inc.

WINDING # 37WGR021

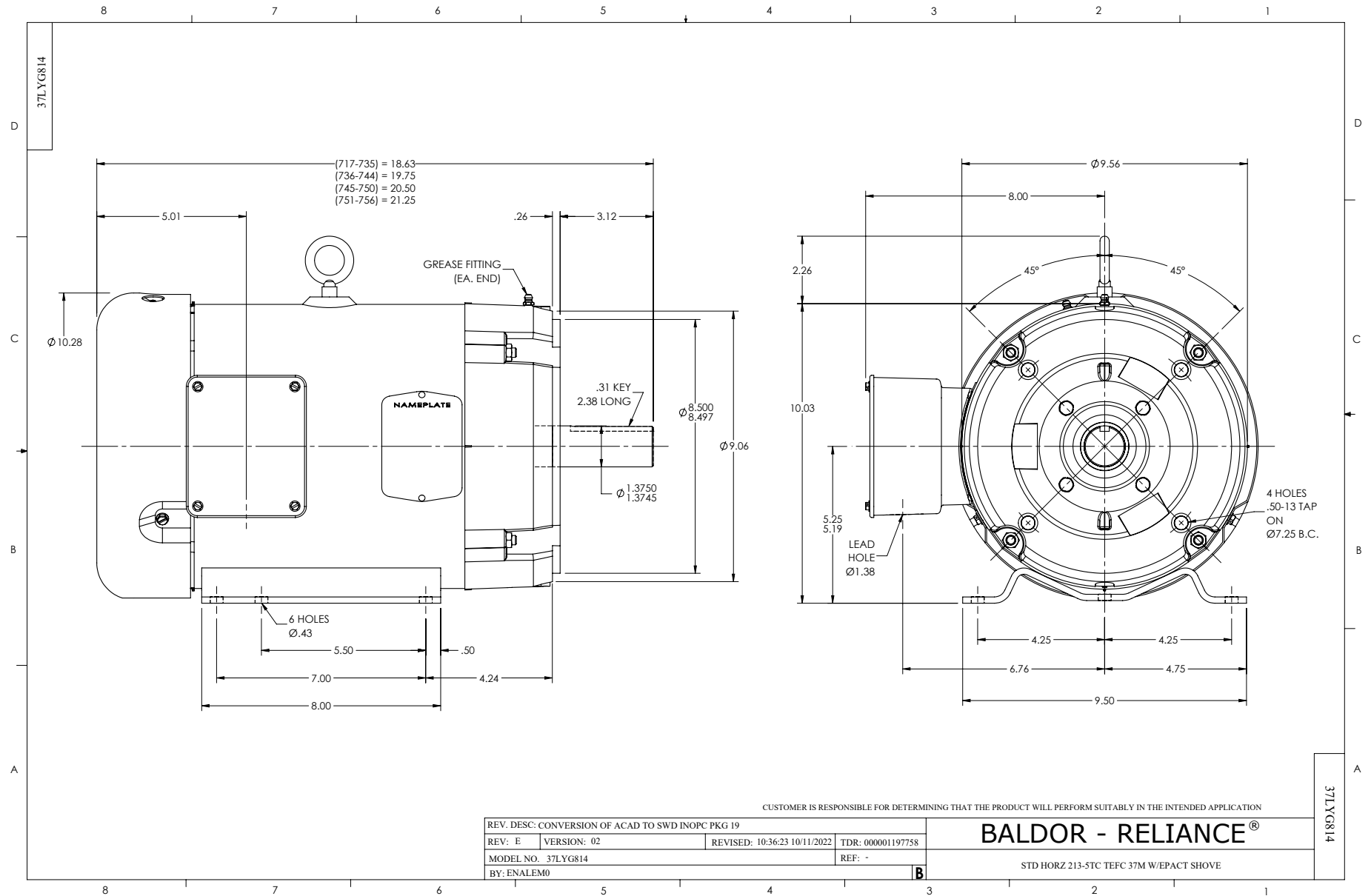
Typical performance - not guaranteed values.

10 HP 3 PH 60 HZ 3490 RPM 575 V 3728M

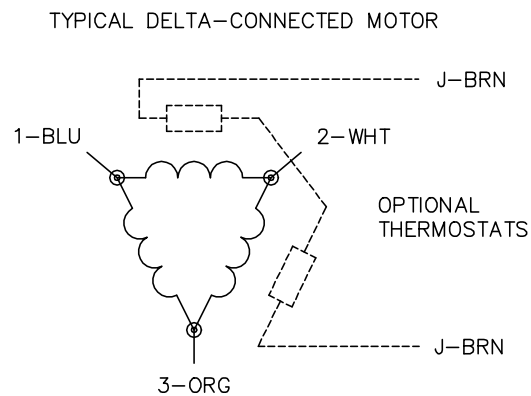
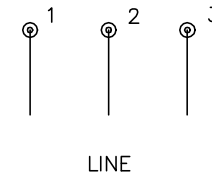
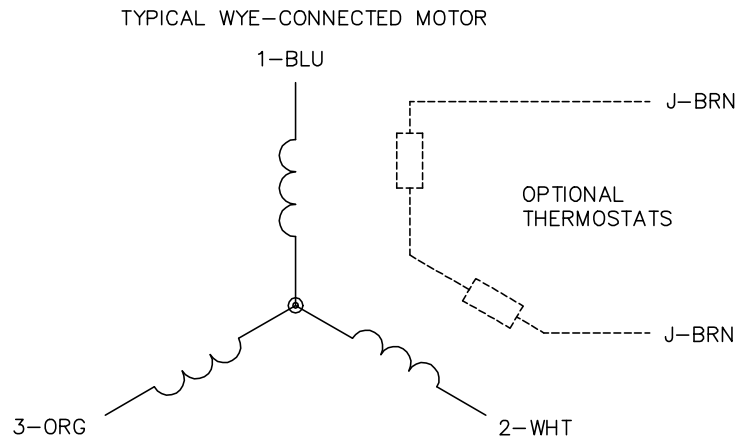
TORQUES (LB-FT): PO=47.2 PU=22.7 LR=26.4 LRA=62.9



6/9/2025 ACPERF, record # 36090



CD0006



NOTES:

1. THREE LEAD MOTOR MAY BE EITHER WYE CONNECTED OR DELTA CONNECTED.
2. INTERCHANGE ANY TWO LINE LEADS TO REVERSE ROTATION.
3. OPTIONAL THERMOSTATS ARE PROVIDED WHEN SPECIFIED.
4. ACTUAL NUMBER OF INTERNAL PARALLEL CIRCUITS MAY VARY.
5. LEAD COLORS ARE OPTIONAL. LEADS MUST BE NUMBERED AS SHOWN.

CD0006

REV. DESC: ADD CLASS CONN00000007		
REV. LTR: E	VERSION: 01	TDR: 000001099922
FILE: \AAA\00005\141	REVISED: 10:24:49 02/19/2019	BY: ENBRIRO
MTL: -	© □	

BALDOR - RELIANCE®

3PH, SV, 3 LEADS, WYE OR DELTA CONNECTED

SH 1 of 1