

ProSense® VFL Series Vibration Fork Liquid Level Switches

Part No. [VFL75-100L-3H](#)Part No. [VFL50-100S-3D](#)

ProSense Vibration Fork Liquid Level Switches

The ProSense VFL Series of Vibration Fork Level Switches is designed using tuning fork technology for reliable liquid point level detection for monitoring, alarming, and control applications. The device's electronics cause its tuning forks to vibrate at their natural frequency. When the forks come in contact with the medium, the fork vibration frequency will change and trigger the switch output to change state. Suitable for use in tanks, vessels, and pipes, the VFL series is an ideal alternative for applications where other liquid point level technologies such as float switches or conductive, optical and capacitance sensors are not suitable due to conductivity, turbulence, buildup, air bubbles, foam, pressure, temperature, and viscosity changes. The ProSense VFL Series is offered in two process connection sizes with short and extended insertion lengths, standard and high temperature constructions, and a 3-wire DC switch output for connection to controller inputs or a 2-wire AC/DC switch suitable for control of valves and pumps, making the VFL Series perfect for high and low point level alarms, overflow protection, and pump protection in a wide variety of liquid level applications.

Features

- 1/2" or 3/4" male NPT process connection
- Short or extended insertion lengths
- Standard or high temperature constructions
- 3-wire DC output for PLC inputs or 2-wire AC/DC output for control of valves and pumps
- M12 quick disconnect or DIN style electrical connectors
- Robust stainless steel construction
- LED indication provides visual function check
- External function test with test magnet

Applications

- Ideal for applications not suitable for other liquid point level technologies due to conductivity, turbulence, buildup, air bubbles, foam, pressure, temperature, and viscosity changes
- Use in tanks, vessels, and pipes for:
 - Overflow protection
 - High and low point level alarms
 - Pump control or limit detection
 - Valve control
 - Run dry or pump protection
 - High-temperature applications



VFL Series Vibration Fork Liquid Level Switch Selection

Model	Insertion Length	Process Connection	Output Type	Operating Voltage	Electrical Connection	Process Temperature	Price	Weight (lbs)		
VFL50-100S-3H	1.89 in (48mm) (Short Length)	1/2 in Male NPT	Switch PNP, 3-wire, N.O./N.C. complementary	10-30 VDC	4-pin M12 quick- disconnect	-40°F to 212°F (-40°C to 100°C)	\$163.00	0.64		
VFL75-100S-3H		3/4 in Male NPT					\$163.00	0.71		
VFL50-100S-3D		1/2 in Male NPT	Switch PNP, 3-wire, N.O. or N.C.		EN 175301- 803-A connector	\$163.00	0.75			
VFL75-100S-3D		3/4 in Male NPT			\$163.00	0.82				
VFL50-150S-3H		1.89 in (48mm) (Short Length)	1/2 in Male NPT		Switch PNP, 3-wire, N.O./N.C. complementary	4-pin M12 quick- disconnect	-40°F to 302°F (-40°C to 150°C)	\$183.00	0.68	
VFL75-150S-3H			3/4 in Male NPT					\$183.00	0.75	
VFL50-150S-3D			1/2 in Male NPT		Switch PNP, 3-wire, N.O. or N.C.			EN 175301- 803-A connector	\$183.00	0.77
VFL75-150S-3D			3/4 in Male NPT						\$183.00	0.84
VFL50-100L-3H	3.44 in (87.4 mm) (Extended Length)	1/2 in Male NPT	Switch PNP, 3-wire, N.O./N.C. complementary	10-30 VDC	4-pin M12 quick- disconnect	-40°F to 212°F (-40°C to 100°C)	\$178.00	0.69		
VFL75-100L-3H		3/4 in Male NPT					\$178.00	0.76		
VFL50-100L-3D		1/2 in Male NPT	Switch PNP, 3-wire, N.O. or N.C.		EN 175301- 803-A connector		\$178.00	0.80		
VFL75-100L-3D		3/4 in Male NPT					\$178.00	0.87		
VFL75-100S-2D	1.89 in (48mm) (Short Length)	3/4 in Male NPT	AC/DC, 2-wire, N.O. or N.C.	20-253 VAC/DC		-40°F to 302°F (-40°C to 150°C)	\$163.00	0.85		
VFL75-150S-2D		3/4 in Male NPT					\$183.00	0.85		

proSense® VFL Series Vibration Fork Liquid Level Switches

VFL Series Vibration Fork Liquid Level Switch Specifications

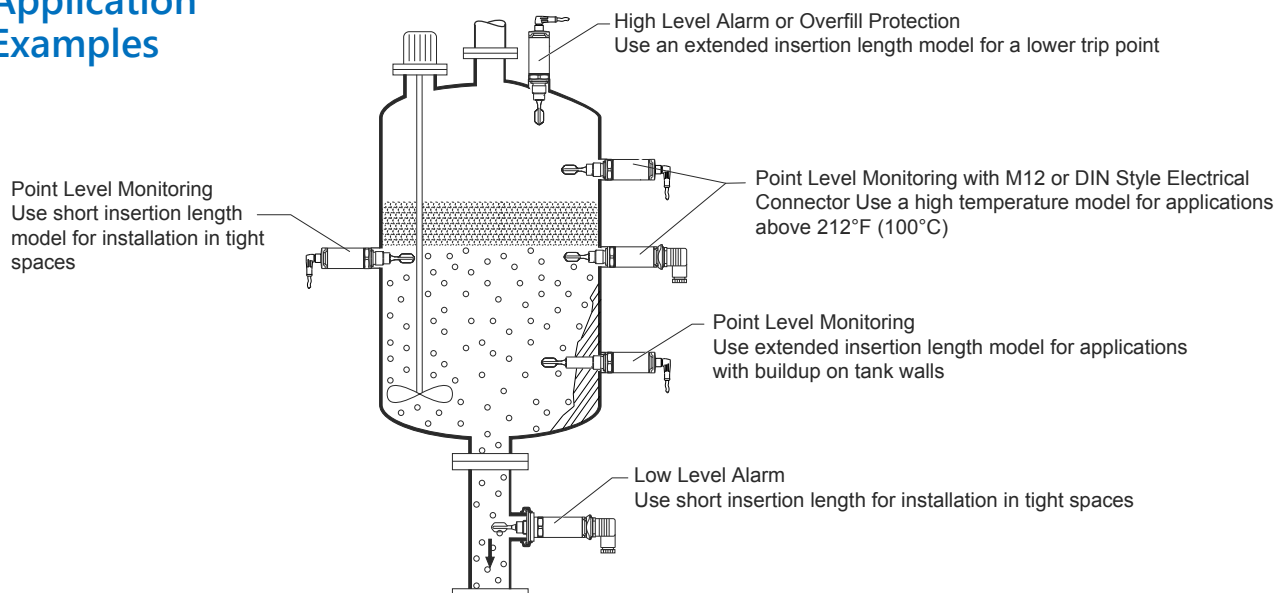
Output	
Switch Output	Switching behavior: On/Off 3-wire DC-PNP: Positive voltage signal at the switch output of the electronics (PNP), switching capacity 200mA* 2-wire AC/DC: Load switching in the power supply line (see Wiring section for Load Requirements), switching capacity 250mA*
Operating Modes	The device has two operating modes: maximum safety (MAX) and minimum safety (MIN). By choosing the corresponding operating mode, the user ensures that the device also switches in a safety-oriented manner even in an alarm condition, e.g. if the power supply line is disconnected. Maximum safety (MAX) The device keeps the electronic switch closed as long as the liquid level is below the fork. Sample application: overflow prevention Minimum safety (MIN) The device keeps the electronic switch closed as long as the fork is immersed in liquid. Sample application: Dry running protection for pumps The electronic switch opens if the limit is reached, if a fault occurs or the power fails (quiescent current principle).
Electrical	
Supply Voltage	DC-PNP: 10 to 30 V DC, 3-wire AC/DC: 20 to 253 V AC/DC, 2-wire
Power Consumption	DC-PNP: < 975mW AC/DC: < 850mW
Current Consumption	DC-PNP: < 15mA AC/DC: < 3.8 mA
Residual Ripple	DC-PNP: 5Vss 0 to 400Hz AC/DC: N/A
Electrical Connection	Electronic version 3-wire DC-PNP with M12 plug or valve plug connection Electronic version 2-wire AC/DC with valve plug connection A fine-wire fuse is necessary for operation: 500mA slow-blow. Electronic version 3-wire DC-PNP 3-wire DC-PNP is preferably used in conjunction with programmable logic controllers (PLC) Voltage source: non-hazardous contact voltage or Class 2 circuit (North America).
Cable Specification	Valve plug: – Cable cross-section: max. 1.5 mm ² (16AWG) – Ø 3.5 to 8mm (0.14 to 0.26 in) M12 connector: IEC 60947-5-2
Overvoltage Protection	Overvoltage category II
Reverse Polarity Protection	2-wire AC/DC: AC mode: the device reverse polarity protection does not apply. DC mode: in the event of reverse polarity the maximum safety mode is always detected. Check the wiring and perform a function check before commissioning. The device is not damaged in the event of reverse polarity. 3-wire DC-PNP: Integrated. In the event of reverse polarity, the device is deactivated automatically.
Short-Circuit Protection	2-wire AC/DC: During switching the sensor checks whether a load, e.g. relay or contactor, is present (load check). If an error occurs, the sensor is not damaged. Smart monitoring: normal operation is resumed once the error is fixed. 3-wire DC-PNP: Overload protection/short-circuit protection at I > 250 mA; the sensor is not destroyed. Intelligent monitoring: Testing for overload at intervals of approx. 1.5 s; normal operation resumes once the overload/short-circuit has been rectified.
Performance	
Reference Operating Conditions	Ambient temperature: +25°C (+77°F) Process pressure: 1 bar (14.5 psi) Fluid: Water (density: approx. 1 g/cm ³ , viscosity 1 mm ² /s) Medium temperature: 25°C (77°F) Density setting: > 0.7 g/cm ³ Switching time delay: Standard (0.5 s, 1s)
Switch Point	13mm (0.51 in) ±1mm
Hysteresis	max. 3mm (0.12 in)
Non-Repeatability	±1 mm (0.04 in) in accordance with DIN 61298-2
Influence of Ambient Temperature	Negligible
Influence of Medium Temperature	–25 µm (984 µin) / °C
Influence of Medium pressure	–20 µm (787 µin) / bar
Switching Delay	0.5 s when tuning fork is covered 1.0 s when tuning fork is uncovered
Switch-On Delay	max. 3s
Measuring Frequency	approx. 1,100 Hz in air
Measured Error	In event of device change: ± 2mm (0.08 in) as per DIN 61298-2

*50°C (122°F) ambient maximum. See Operating Instructions for Derating Curve for ambient temperatures to 70°C (158°F).

prosense® VFL Series Vibration Fork Liquid Level Switches

VFL Series Vibration Fork Liquid Level Switch Specifications Continued	
Process	
Process Temperature Range	-40 to +100°C (-40 to +212°F) -40 to +150°C (-40 to +302°F)
Process Pressure Range	Max. -1 to +40 bar (-14.5 to +580psi)
Density	> 0.7 g/cm ³
State of Aggregation	Liquid
Viscosity	1 to 10,000 mPa·s, dynamic viscosity
Solids Contents	ø < 5mm (0.2 in)
Lateral Loading Capacity	Lateral loading capacity of the tuning fork: maximum 200 N
Environment	
Ambient Temperature Range	-40 to +70°C (-40 to +158°F)
Storage Temperature	-40 to +85°C (-40 to +185°F)
Climate Class	DIN EN 60068-2-38/IEC 68-2-38: test Z/AD
Altitude	Up to 2,000 m (6,600 ft) above sea level
Degree of Protection	IP65/67 NEMA Type 4X Enclosure (M12 connector) IP65 NEMA Type 4X Enclosure (valve plug)
Shock Resistance	a = 300 m/s ² = 30 g, 3 planes x 2 directions x 3 shocks x 18 ms, as per test Ea, prEN 60068-2-27:2007
Vibration Resistance	a(RMS) = 50 m/s ² , ASD = 1.25 (m/s ²) ² /Hz, f = 5 to 2,000 Hz, t = 3 x 2 h, as per test Fh, EN 60068-2-64:2008
Electromagnetic Compatibility	Electromagnetic compatibility in accordance with all relevant requirements of the EN 61326 series and NAMUR recommendation EMC (NE21).
Approvals	
CSA	File# 600062
CE	EMC; LVD; RoHS II

Application Examples



prosense® VFL Series Vibration Fork Liquid Level Switches

Wiring

The device has two operating modes: maximum safety (MAX) and minimum safety (MIN). By choosing the corresponding operating mode, the user ensures that the device also switches in a safety-oriented manner even in an alarm condition, e.g. if the power supply line is disconnected.

- Maximum safety (MAX)

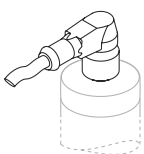
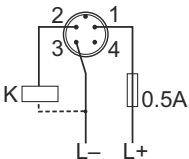
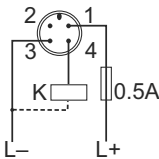
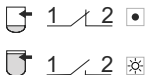
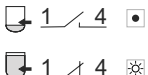


The device keeps the electronic switch closed as long as the liquid level is below the fork. Sample application: overflow prevention

- Minimum safety (MIN)

The device keeps the electronic switch closed as long as the fork is immersed in liquid. Sample application: Dry running protection for pumps

The electronic switch opens if the limit is reached, if a fault occurs or the power fails (quiescent current principle).

3-Wire DC-PNP Output - M12 Connector

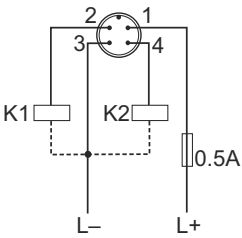
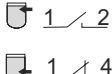
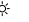

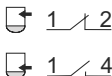


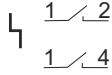

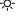


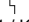
Electrical connection	Operating mode	
	MAX 	MIN 
		
<p>  Yellow LED not lit  Yellow LED lit K external load </p> <p style="text-align: right;">IEC 60947-5-2</p>		

Function Monitoring

Function monitoring with M12 connector

Using a two-channel analysis, function monitoring of the sensor can be implemented in addition to level monitoring, e.g. per relay switch, PLC, I/O module,

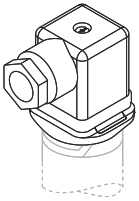
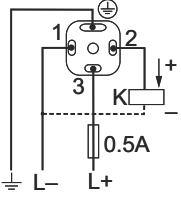
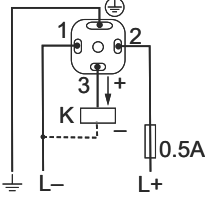
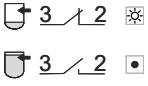
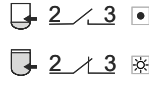
When both outputs are connected, the MIN and MAX outputs assume opposite states when the device is operating fault-free (XOR). In the event of an alarm condition or a line break, both outputs are deenergized.

Connection for function monitoring		Yellow LED	Red LED
	Sensor covered 		
	Sensor exposed 		
	Fault 		
<p>  LED lit  LED not lit  Fault or warning K1 / K2 external load </p> <p style="text-align: right;">IEC 60947-5-2</p>			

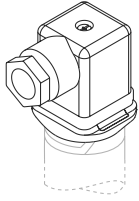
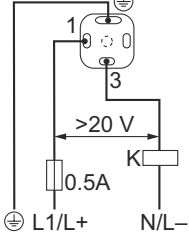
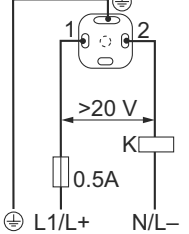
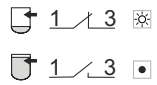
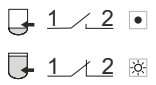
prosense® VFL Series Vibration Fork Liquid Level Switches

Wiring Continued

3-Wire DC-PNP Output - Valve Plug

Electrical connection	Operating mode	
	MAX	MIN
		
		
<p> Yellow LED not lit Yellow LED lit external load </p> <p style="text-align: right;">Valve plug cable Ø 3.5 to 8 mm (0.14 to 0.26 in)</p>		

2-Wire AC/DC Output

Electrical connection	Operating mode	
	MAX	MIN
		
		
<p> Yellow LED not lit Yellow LED lit external load </p> <p style="text-align: right;">Valve plug cable Ø 3.5 to 8 mm (0.14 to 0.26 in)</p>		

Load Requirements

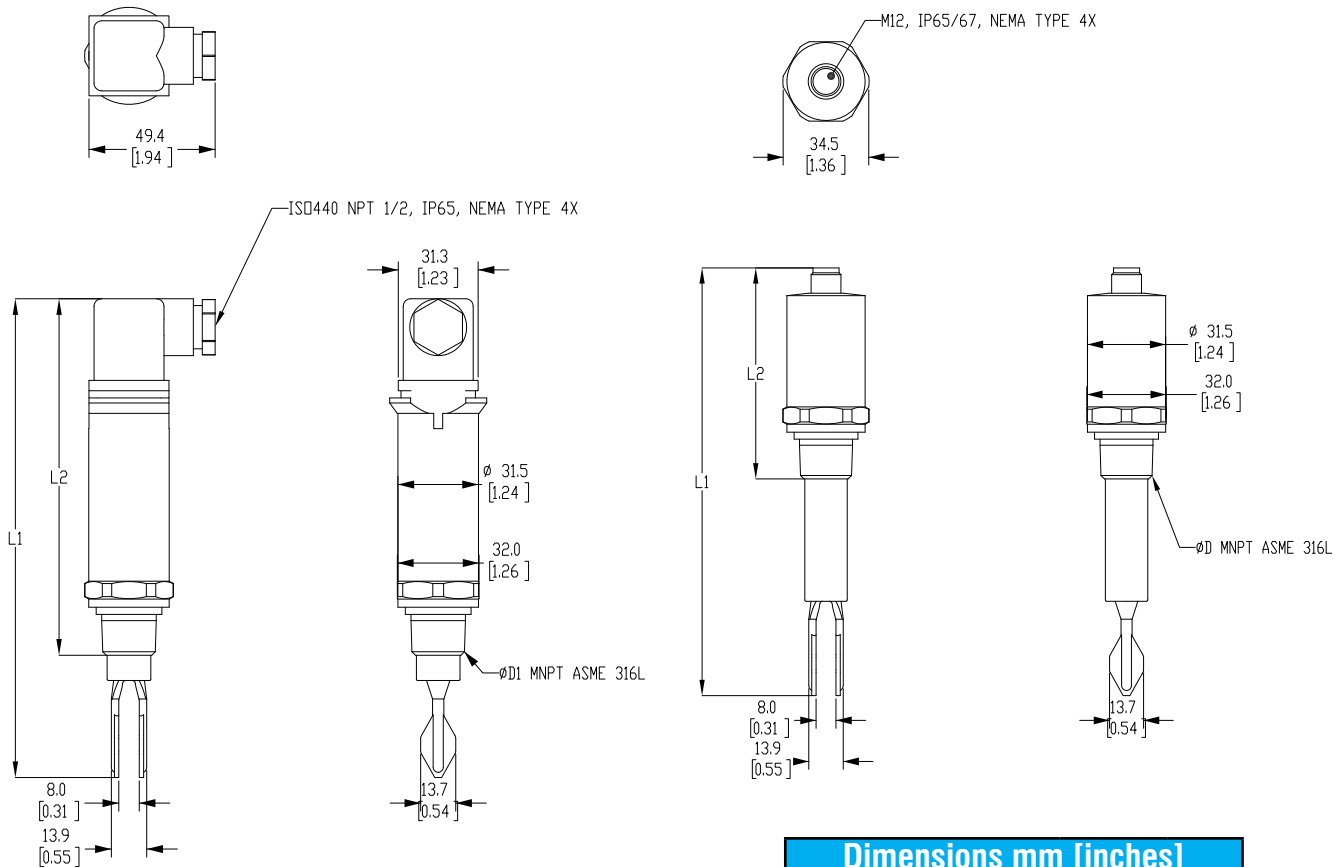
Mode	Supply voltage	Rated power	
		min	max
AC mode	24 V	> 1.3 VA	< 6 VA
	110 V	> 1.5 VA	< 27.5 VA
	230 V	> 2.5 VA	< 57.5 VA
DC mode	24 V	> 0.7 W	< 6 W
	48 V	> 0.9 W	< 12 W
	60 V	> 1.5 W	< 15 W

Not suitable for connection to PLC inputs!

Refer to Operating Instructions document for additional information.

prosense® VFL Series Vibration Fork Liquid Level Switches

Dimensions mm [inches]



Dimensions mm [inches]			
Part No.	L1	L2	ØD
VFL75-150S-2D	187.5 [7.38]	139.6 [5.50]	3/4
VFL75-100S-2D	162.9 [6.41]	115.0 [4.53]	3/4
VFL50-100L-3D	202.3 [7.96]	115.0 [4.53]	1/2
VFL75-100L-3D	202.3 [7.96]	115.0 [4.53]	3/4
VFL50-150S-3D	187.5 [7.38]	139.6 [5.50]	1/2
VFL75-150S-3D	187.5 [7.38]	139.6 [5.50]	3/4
VFL50-100S-3D	162.9 [6.41]	115.0 [4.53]	1/2
VFL75-100S-3D	162.9 [6.41]	115.0 [4.53]	3/4

Dimensions mm [inches]			
Part No.	L1	L2	ØD
VFL50-100L-3H	172.3 [6.78]	85.0 [3.35]	1/2
VFL75-100L-3H	172.3 [6.78]	85.0 [3.35]	3/4
VFL50-150S-3H	157.5 [6.20]	109.6 [4.31]	1/2
VFL75-150S-3H	157.5 [6.20]	109.6 [4.31]	3/4
VFL50-100S-3H	132.9 [5.23]	85.0 [3.35]	1/2
VFL75-100S-3H	132.9 [5.23]	85.0 [3.35]	3/4

See our website www.AutomationDirect.com for complete Engineering drawings.