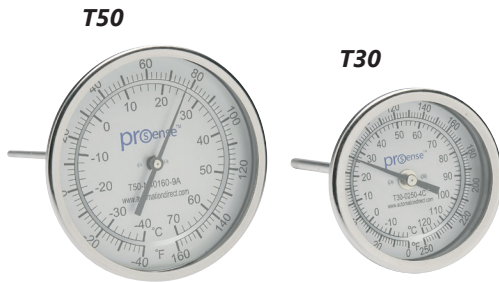


proSense® Bi-Metal Dial Thermometers



Features

- General purpose 3" and 5" dial, 304 stainless steel thermometer
- Bi-metallic sensing element for reliable readings
- Back or adjustable angle connection
- Welded stem length from 2.5" to 9"
- Dual scale (°F / °C)
- ±1% accuracy
- Anti-parallax dial that reduces operator reading errors
- Re-zero adjustment screws
- Optional thermowells
- 5 year warranty



Applications

- Industrial process, hot/chilled water lines, boilers, HVAC, food processing and wastewater, OEM

Click on the thumbnail or go to <https://www.automationdirect.com/VID-TE-0001> for a short video on Bi-Metal Dial Thermometers



ProSense 3" Dial Bi-Metal Thermometers

Part Number	Description	Pcs/Pkg	Wt(lb)	Price	Thermowell
T30-N40160-25C	Thermometer, 3 in. dial, 2.5 in. stem, -40 to 160 °F (-40 to 70 °C), center back mount	1	0.50	\$35.00	
T30-0250-25C	Thermometer, 3 in. dial, 2.5 in. stem, 0 to 250 °F (-18 to 120 °C), center back mount	1	0.50	\$35.00	TW025-01*
T30-50500-25C	Thermometer, 3 in. dial, 2.5 in. stem, 50 to 500 °F (10 to 260 °C), center back mount	1	0.50	\$35.00	TW025-03*
T30-150750-25C	Thermometer, 3 in. dial, 2.5 in. stem, 150 to 750 °F (70 to 400 °C), center back mount	1	0.50	\$35.00	
T30-N40160-4C	Thermometer, 3 in. dial, 4 in. stem, -40 to 160 °F (-40 to 70 °C), center back mount	1	0.50	\$35.00	TW04-01*
T30-0250-4C	Thermometer, 3 in. dial, 4 in. stem, 0 to 250 °F (-18 to 120 °C), center back mount	1	0.50	\$35.00	TW04-02*
T30-50500-4C	Thermometer, 3 in. dial, 4 in. stem, 50 to 500 °F (10 to 260 °C), center back mount	1	0.50	\$35.00	TW04-03*
T30-150750-4C	Thermometer, 3 in. dial, 4 in. stem, 150 to 750 °F (70 to 400 °C), center back mount	1	0.50	\$35.00	TW04-04*
T30-N40160-6C	Thermometer, 3 in. dial, 6 in. stem, -40 to 160 °F (-40 to 70 °C), center back mount	1	0.50	\$35.00	TW06-01*
T30-0250-6C	Thermometer, 3 in. dial, 6 in. stem, 0 to 250 °F (18 to 120 °C), center back mount	1	0.50	\$35.00	TW06-02*
T30-50500-6C	Thermometer, 3 in. dial, 6 in. stem, 50 to 500 °F (10 to 260 °C), center back mount	1	0.50	\$35.00	TW06-03*
T30-150750-6C	Thermometer, 3 in. dial, 6 in. stem, 150 to 750 °F (70 to 400 °C), center back mount	1	0.50	\$35.00	TW06-04*

ProSense 5" Dial Bi-Metal Thermometers

Part Number	Description	Pcs/Pkg	Wt(lb)	Price	Thermowell
T50-N40160-25A	Thermometer, 5 in. dial, 2.5 in. stem, -40 to 160 °F (-40 to 70 °C), adjustable angle mount	1	1.30	\$79.00	
T50-0250-25A	Thermometer, 5 in. dial, 2.5 in. stem, 0 to 250 °F (-18 to 120 °C), adjustable angle mount	1	1.30	\$79.00	TW025-01*
T50-50500-25A	Thermometer, 5 in. dial, 2.5 in. stem, 50 to 500 °F (10 to 260 °C), adjustable angle mount	1	1.30	\$79.00	TW025-03*
T50-150750-25A	Thermometer, 5 in. dial, 2.5 in. stem, 150 to 750 °F (70 to 400 °C), adjustable angle mount	1	1.30	\$79.00	
T50-N40160-4A	Thermometer, 5 in. dial, 4 in. stem, -40 to 160 °F (-40 to 70 °C), adjustable angle mount	1	1.30	\$79.00	TW04-01*
T50-0250-4A	Thermometer, 5 in. dial, 4 in. stem, 0 to 250 °F (-18 to 120 °C), adjustable angle mount	1	1.30	\$79.00	TW04-02*
T50-50500-4A	Thermometer, 5 in. dial, 4 in. stem, 50 to 500 °F (10 to 260 °C), adjustable angle mount	1	1.30	\$79.00	TW04-03*
T50-150750-4A	Thermometer, 5 in. dial, 4 in. stem, 150 to 750 °F (70 to 400 °C), adjustable angle mount	1	1.30	\$79.00	TW04-04*
T50-N40160-6A	Thermometer, 5 in. dial, 6 in. stem, -40 to 160 °F (-40 to 70 °C), adjustable angle mount	1	1.30	\$79.00	TW06-01*
T50-0250-6A	Thermometer, 5 in. dial, 6 in. stem, 0 to 250 °F (-18 to 120 °C), adjustable angle mount	1	1.30	\$79.00	TW06-02*
T50-50500-6A	Thermometer, 5 in. dial, 6 in. stem, 50 to 500 °F (10 to 260 °C), adjustable angle mount	1	1.30	\$79.00	TW06-03*
T50-150750-6A	Thermometer, 5 in. dial, 6 in. stem, 150 to 750 °F (70 to 400 °C), adjustable angle mount	1	1.30	\$79.00	TW06-04*
T50-N40160-9A	Thermometer, 5 in. dial, 9 in. stem, -40 to 160 °F (-40 to 70 °C), adjustable angle mount	1	1.50	\$79.00	
T50-0250-9A	Thermometer, 5 in. dial, 9 in. stem, 0 to 250 °F (-18 to 120 °C), adjustable angle mount	1	1.50	\$79.00	TW09-01*
T50-50500-9A	Thermometer, 5 in. dial, 9 in. stem, 50 to 500 °F (10 to 260 °C), adjustable angle mount	1	1.50	\$79.00	TW09-03*
T50-150750-9A	Thermometer, 5 in. dial, 9 in. stem, 150 to 750 °F (70 to 400 °C), adjustable angle mount	1	1.50	\$79.00	

* Catalog pages for these thermowells are located on previous pages in this same section, under the "Thermowells for Spring-Loaded Thermocouples and RTD's, or Thermometers" pages.

pro^osense[®] Bi-Metal Dial Thermometers

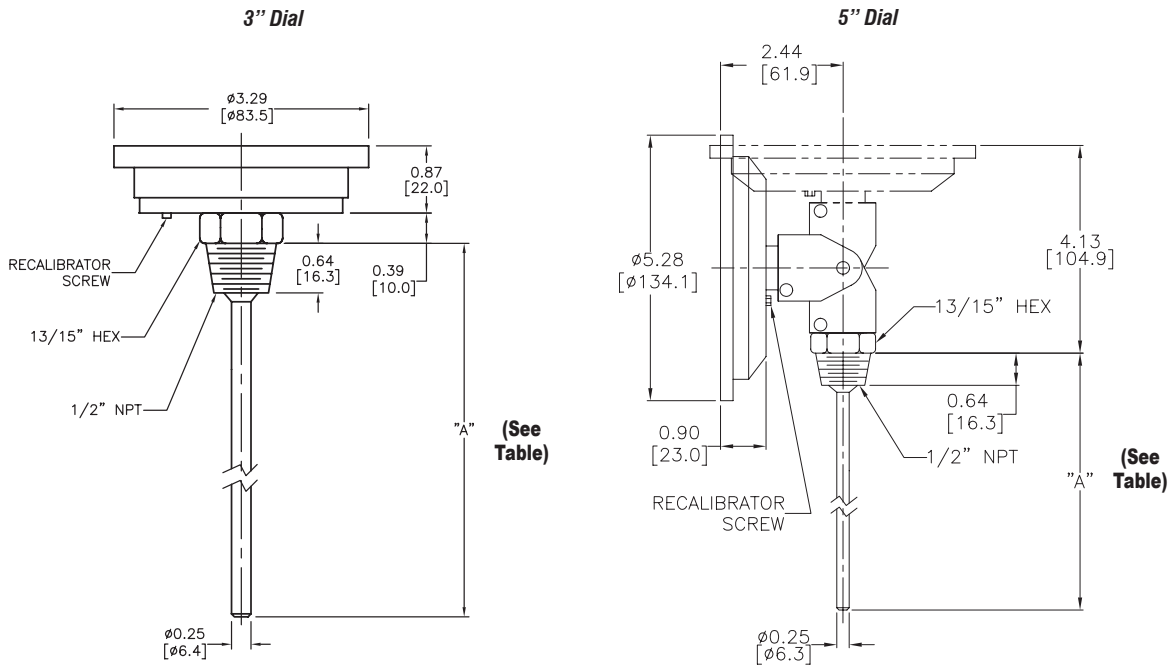
Technical Specifications		
Dial Size	3.0" [76.2 mm]	5.0" [127 mm]
Case	AISI 304 SS	
Stem	AISI 304 SS welded to socket, center back	AISI 304 center back, adjustable angle
Lens	Glass, hermetically sealed	
Ring	AISI 304 SS	
Connection	1/2" NPT	
Sensing Element	Bi-metallic coil	
Pointer	Aluminum, painted black	
Maximum Operating Pressure	125 psi (861 kPa)	
Operating Temperature	75% of full scale value (recommended maximum)	
Ambient Temperatures	-58°F to 248°F (-50°C to 120°C)	
Accuracy	±1%	
Enclosure Rating	IP68	



Note: The use of a thermowell is recommended to protect the thermometer in corrosive or pressure applications, as well as to maintain a closed system during its removal from the process.

Dimensions

Inches [mm]



Dimension "A" According to Thermometer Model		
Part Number Ending With:	Inches	Millimeters
-25C	2.5"	63.5 mm
-4C	4"	101.6 mm
-6C	6"	152.4 mm
-9C	9"	228.6 mm