



Stepping System Motors

SureStep® Stepping Motors

SureStep Series Part Numbers – Bipolar Stepping Motors, continued					
Bipolar Stepping Motors	Price	Shaft Type	Torque Level	Encoder Mounting	Drawing
<i>Motors listing continued from previous page</i>					
STP-MTRAC-23044	\$63.00	single	High voltage High torque	not available	PDF
STP-MTRAC-23044D	\$64.00	dual		optional	PDF
STP-MTRAC-23055	\$71.00	single		not available	PDF
STP-MTRAC-23055D	\$72.00	dual		optional	PDF
STP-MTRAC-23078	\$99.00	single		not available	PDF
STP-MTRAC-23078D	\$100.00	dual		optional	PDF
STP-MTRAC-34075	\$265.00	single		not available	PDF
STP-MTRAC-34075D	\$265.00	dual		optional	PDF
STP-MTRAC-34115	\$274.00	single		not available	PDF
STP-MTRAC-34115D	\$275.00	dual		optional	PDF
STP-MTRAC-34156	\$295.00	single*		not available	PDF
STP-MTRAC-34156D	\$295.00	dual*		optional	PDF
STP-MTRAC-42100	\$244.00	single	High voltage Higher torque	not available	PDF
STP-MTRAC-42100D	\$265.00	dual		optional**	PDF
STP-MTRAC-42151	\$409.00	single		not available	PDF
STP-MTRAC-42151D	\$430.00	dual		optional**	PDF
STP-MTRAC-42202	\$501.00	single		not available	PDF
STP-MTRAC-42202D	\$519.00	dual		optional**	PDF
STP-MTRACH-42100	\$244.00	single		not available	PDF
STP-MTRACH-42100D	\$265.00	dual		optional**	PDF
STP-MTRACH-42151	\$409.00	single		not available	PDF
STP-MTRACH-42151D	\$430.00	dual		optional**	PDF
STP-MTRACH-42202	\$501.00	single		not available	PDF
STP-MTRACH-42202D	\$519.00	dual		optional**	PDF

* NOTE: STP-MTRAC-34156(x) motors have a 5/8" front shaft.

** NOTE: NEMA 42 "D" motors require an [STP-MTRA-42ENC](#) adapter plate for AMT13/AMT33 encoder mounting.

STP-MTRAC-xxxxx
(single-shaft)



STP-MTRAC-xxxxxD
(dual-shaft)



STP-MTRACH-42xxxD
(dual-shaft)



SureStep® Stepping Motors Mounting Accessories

Mounting Accessories – for NEMA 17 and NEMA 42 SureStep Stepping Motors				
Part Number	Price	Description	Drawing Links	Use With
STP-MTRA-RB-85	\$9.25	Reducer bushing, 8mm OD to 5mm ID, 16mm length, aluminum alloy. Connects NEMA size 17 stepper motors to Koyo TRD-NH and TRD-SH hollow shaft encoders.	n/a	SureStep NEMA 17 motors
STP-MTRA-42ENC	\$9.25	SureStep encoder mounting plate, metal body. For use with SureStep NEMA 42 stepper motors with dual shafts. Encoder mounting screws and mounting plate screws included. Mounting holes for CUI Devices AMT132/AMT332 encoders and US Digital E6 encoders.	PDF	SureStep NEMA 42 motors

STP-MTRA-42ENC





Stepping System Motors

SureStep® Stepping Motors

SureStep Series Specifications – High Voltage Bipolar Stepping Motors							
Bipolar Stepping Motors		High Voltage High Torque					
		STP-MTRAC-23044(x)	STP-MTRAC-23055(x)	STP-MTRAC-23078(x)	STP-MTRAC-34075(x)	STP-MTRAC-34115(x)	STP-MTRAC-34156(x)**
NEMA Frame Size		23	23	23	34	34	34**
Maximum Holding Torque*	(lb·in)	4.69	9.31	14.19	51.31	69.48	115.06
	(oz·in)	75	149	227	821	1110	1841
	(N·m)	0.53	1.05	1.6	5.8	7.84	13
Rotor Inertia	(oz·in ²)	0.66	1.64	2.62	7.38	14.74	24.06
	(g·cm ²)	120	300	480	1350	2700	4400
Rated Current (A/phase)	Series	0.71	0.71	0.71	2.15	2.05	2.55
	Parallel	1.41	1.41	1.41	4.3	4.1	5.1
Resistance (Ω/phase)	Series	12.4	14.4	18	4	4.8	4.8
	Parallel	3.1	3.6	4.5	1.0	1.2	1.375
Inductance (mH/phase)	Series	30.4	51.2	60.8	32	43.2	44.8
	Parallel	7.6	12.8	15.2	8.0	10.8	11.2
Insulation Class		B					
Steps per Revolution		200					
Basic Step Angle		1.8°					
Shaft Runout (in)		0.002 in 0.05 mm]					
Max Shaft Radial Play @ 1lb load		0.02 in [0.51 mm]			0.025 in [0.635 mm]		0.02 in [0.51 mm]
Max End Play @ 2.2-lb Axial load		0.08 in [2.03 mm]			0.075 in [1.91 mm]		0.08 in [2.03 mm]
Connectors		8 leads, 24AWG			8 leads, 22AWG		
Temperature Rise		80°C [176°F] max					
Storage Temperature Range		-40°C to 70°C [-40°F to 158°F]					
Operating Temperature Range		-20°C to 50°C [-4°F to 122°F]					
Operating Humidity Range		5% to 95% non-condensing					
Product Material		Steel motor case; stainless steel shaft(s)					
Environmental Rating		IP40					
Weight (lb [kg])		1.03 [0.47]	1.54 [0.7]	2.2 [1.0]	4.2 [1.9]	8.4 [3.8]	11.46 [5.2]
Agency Approvals		None			cURUs		

* For dual-shaft motors (STP-MTRAC-xxxxxD):

The sum of the front and rear Torque Loads, Radial Loads, and Thrust Loads must not exceed the applicable Torque, Radial, and Thrust load ratings of the motor.

** STP-MTRAC-34156(x) motors have a 5/8" front shaft



Stepping System Motors

SureStep® Stepping Motors

SureStep Series Specifications – Connectorized Stepping Motors							
Stepping Motors	Higher voltage High torque						
	STP-MTRAC-42100(x)	STP-MTRAC-42151(x)	STP-MTRAC-42202(x)	STP-MTRACH-42100(x)	STP-MTRACH-42151(x)	STP-MTRACH-42202(x)	
NEMA Frame Size	42	42	42	42	42	42	
Optional Encoder¹	Y	Y	Y	Y	Y	Y	
Max Holding Torque (N·m)	Unipolar Series	9.7	19.0	26.0	9.7	17.5	26.0
	Bipolar Series	12.2	22.0	31.0	12.3	22.0	32.0
	Bipolar Parallel	12.2	22.0	31.0	12.3	22.0	32.0
Rotor Inertia (g·cm²)	5500	10900	16200	5500	10900	16200	
Rated RMS Current (A/phase)	Unipolar Series	6	9.4	9	8.5	11.3	11.5
	Bipolar Series	4.2	6	6	6	8	8
	Bipolar Parallel	8.4	12	12	12	16	16
Resistance (Ω/phase)	Unipolar Series	0.6	0.34	0.46	0.32	0.215	0.29
	Bipolar Series	1.19	0.68	0.91	0.64	0.43	0.58
	Bipolar Parallel	0.3	0.17	0.23	0.159	0.108	0.144
Inductance (mH/phase)	Unipolar Series	5	3.6	5.5	2.5	1.9	3.2
	Bipolar Series	19.8	14.5	22	10.1	7.6	13
	Bipolar Parallel	5	3.6	5.5	2.5	1.9	3.2
Insulation Class	B						
Steps per Revolution	200						
Basic Step Angle	1.8°						
Shaft Runout	0.05 mm						
Max Shaft Radial Play @ 1lb load	1.1 in						
Connectors	8 leads, 18AWG						
Temperature Rise	80°C max						
Storage Temp.	-30°C to 70°C [-22°F to 158°F]						
Operating Temperature	-20°C to 40°C [-4°F to 104°F]						
Operating Humidity	5% to 95% non-condensing						
Product Material	Steel motor case, stainless steel shaft(s)						
Environmental Rating	IP40						
Weight (lb [kg])	10.6 [4.8]	17.6 [8]	25.6 [11.6]	10.6 [4.8]	17.6 [8]	25.6 [11.6]	
Agency Approval	cURus						

1 - Dual-shaft versions only. For US Digital E6 or CUI Devices AMT13/AMT33 encoder mounting, the STP-MTRA-42ENC encoder adapter plate is required.



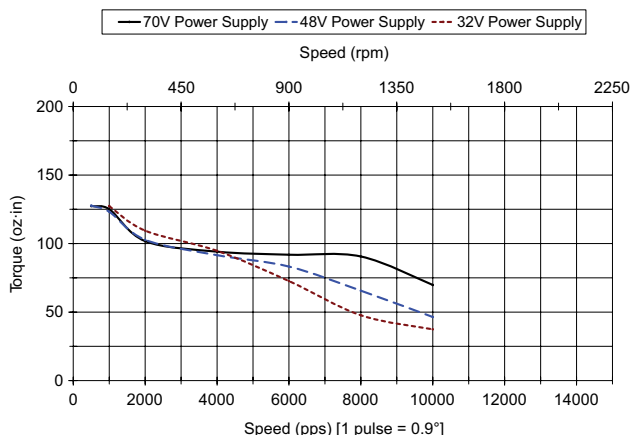
Stepping System Motors

SureStep® Motor Torque vs. Speed Charts (continued)

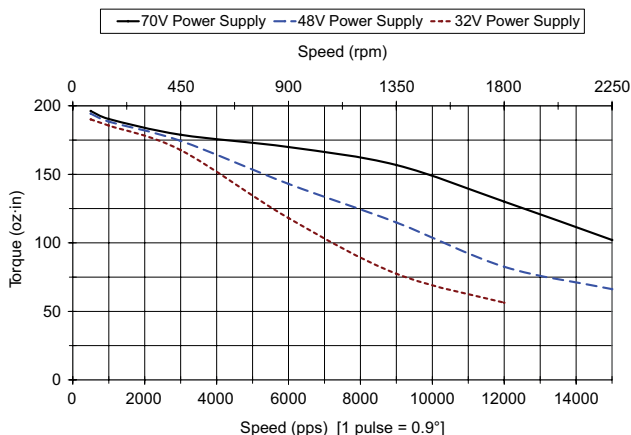
STP-MTR(H)-23xxx(x) NEMA 23 Step Motors

Note: "W" series motors have 5% less running torque than other models

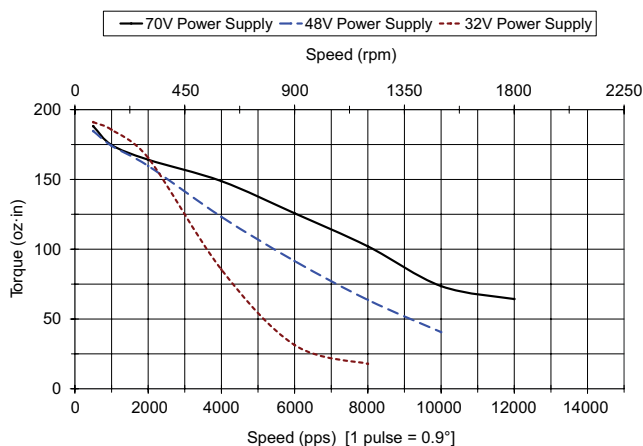
STP-MTR-23055(x) Torque vs Speed (1.8° step motor; 1/2 stepping)



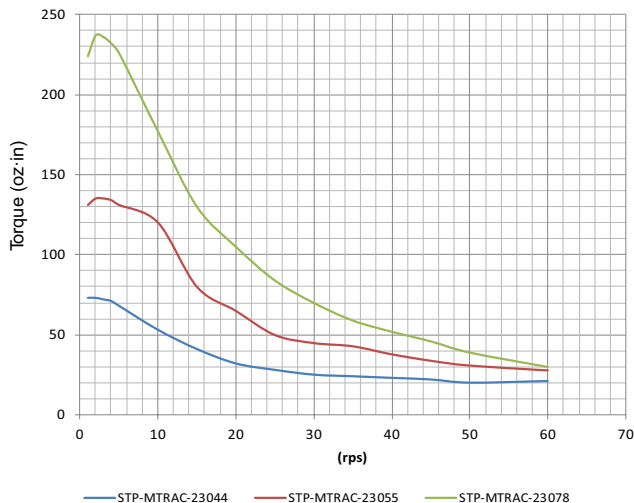
STP-MTRH-23079(x) Torque vs Speed (1.8° step motor; 1/2 stepping)



STP-MTR-23079(x) Torque vs Speed (1.8° step motor; 1/2 stepping)



STP-MTRAC-23xxxx Torque vs Speed @ 340VDC bus (1.8° step motor; 1/2 stepping)





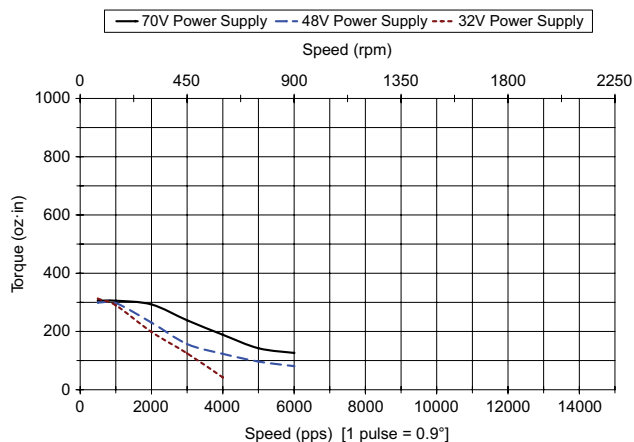
Stepping System Motors

SureStep® Motor Torque vs. Speed Charts (continued)

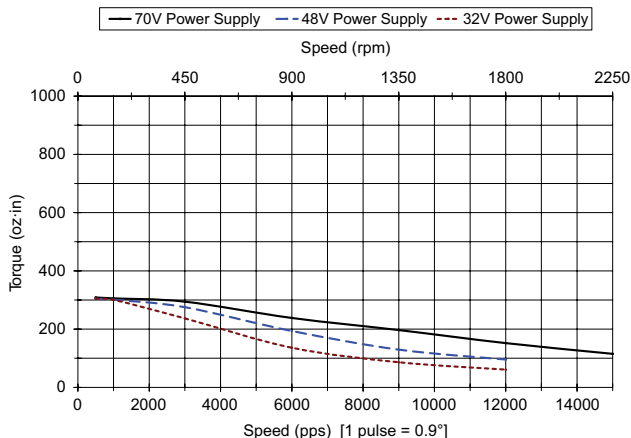
STP-MTR(H)-34xxx(x) NEMA 34 Step Motors

Note: "W" series motors have 5% less running torque than other models

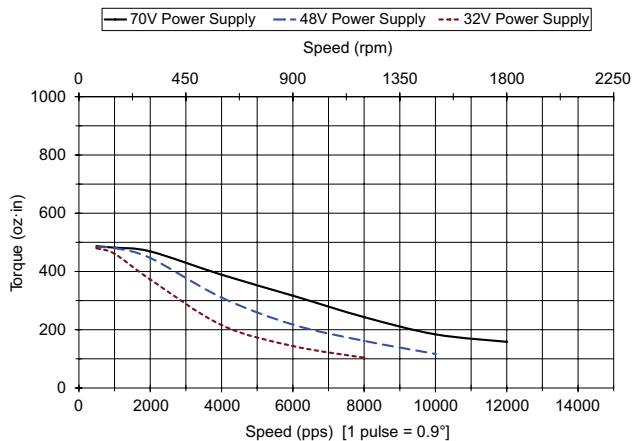
STP-MTR-34066(x) Torque vs Speed (1.8° step motor; 1/2 stepping)



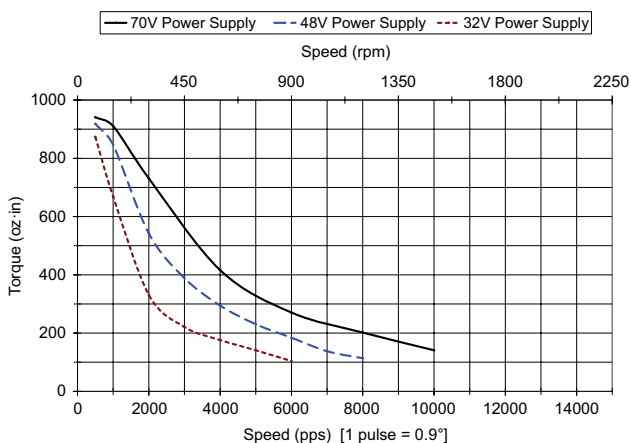
STP-MTRH-34066(x) Torque vs Speed (1.8° motor; 1/2 stepping)



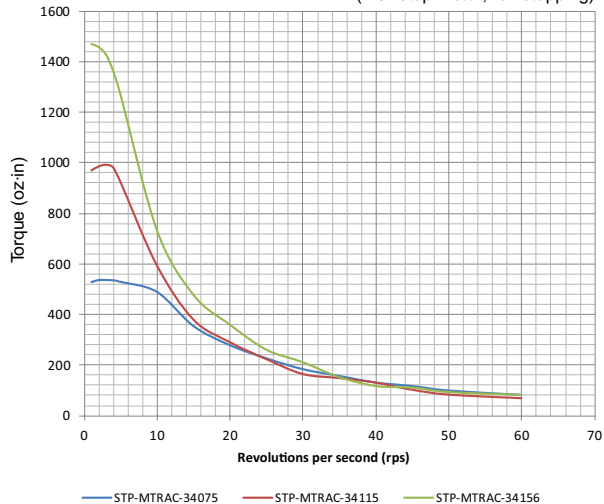
STP-MTRH-34097(x) Torque vs Speed (1.8° step motor; 1/2 stepping)



STP-MTRH-34127(x) Torque vs Speed (1.8° step motor; 1/2 stepping)



STP-MTRAC-34xxx Torque vs Speed @ 340VDC bus (1.8° step motor; 1/2 stepping)

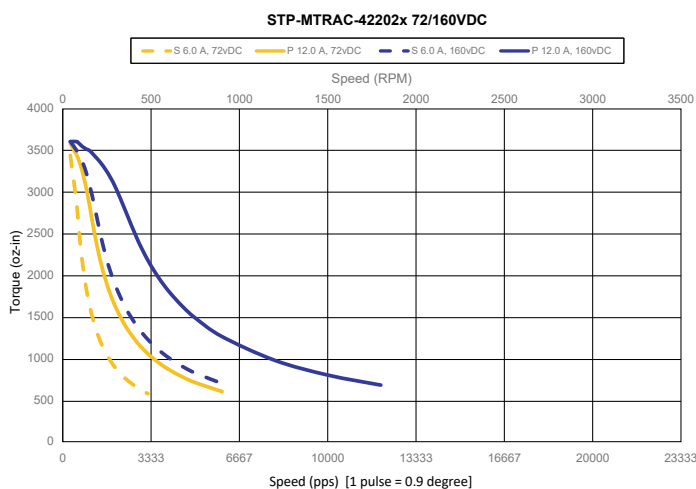
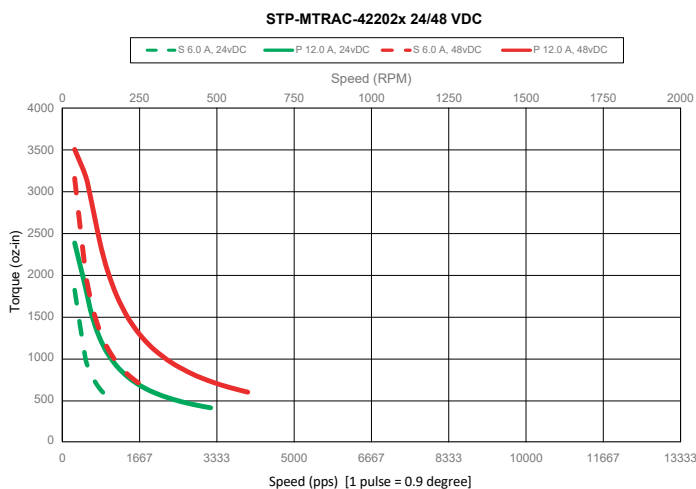
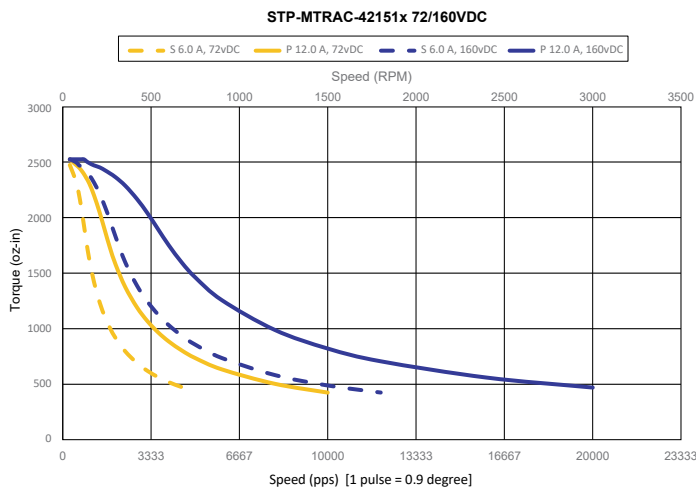
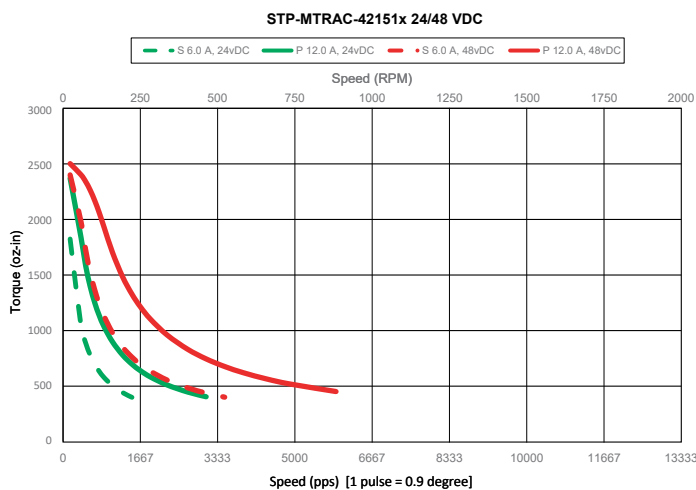
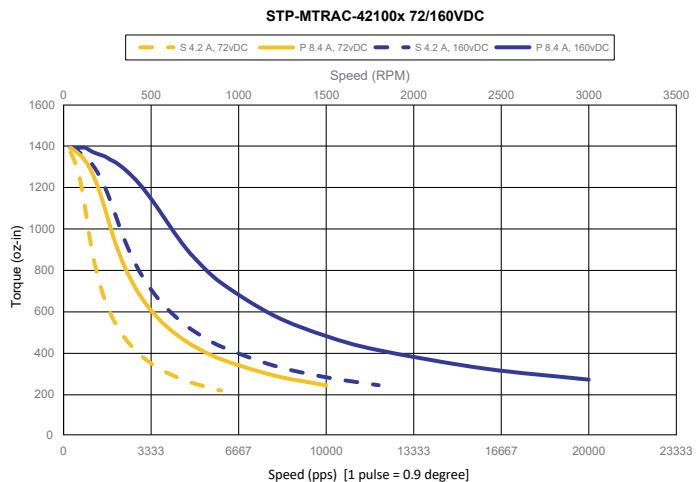
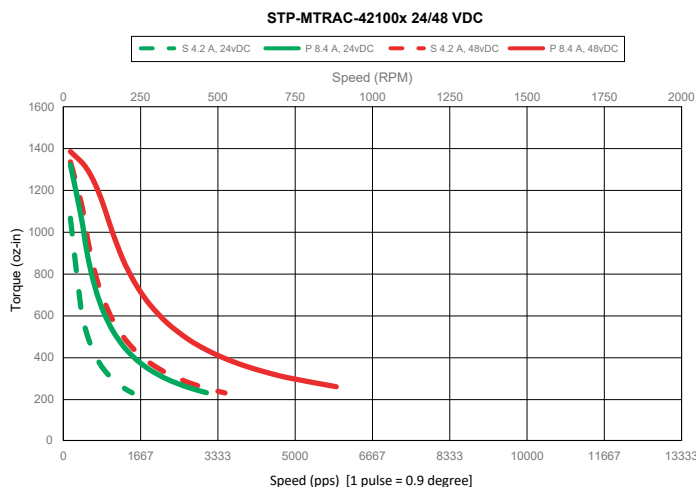


Stepping System Motors

SureStep[®] Motor Torque vs. Speed Charts (continued)

STP-MTRAC(H)-42xxx(x) NEMA 42 Step Motors

For all NEMA 42 charts: "S" = Series Bipolar Wiring
 "P" = Parallel Bipolar Wiring

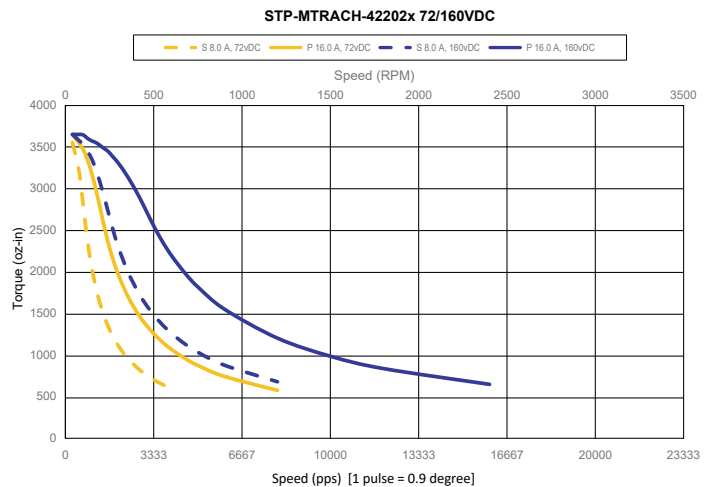
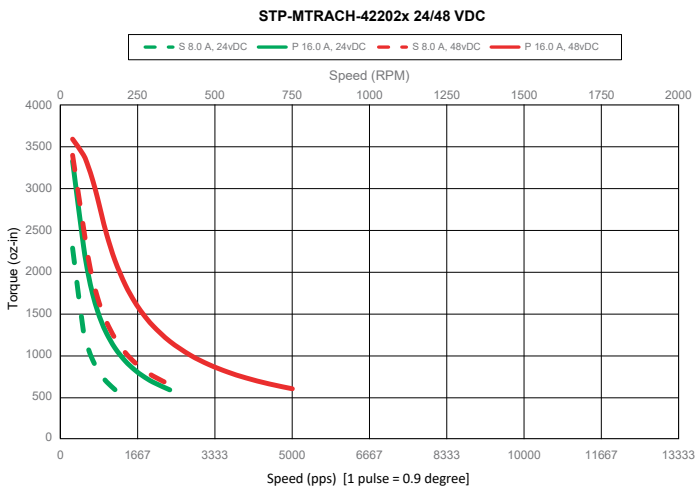
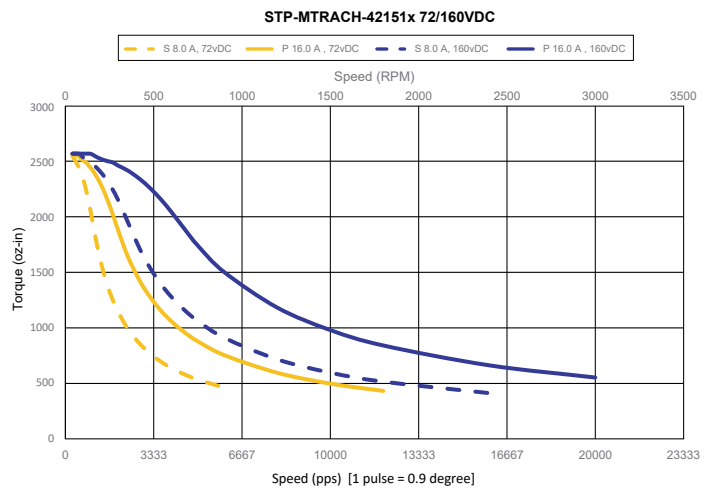
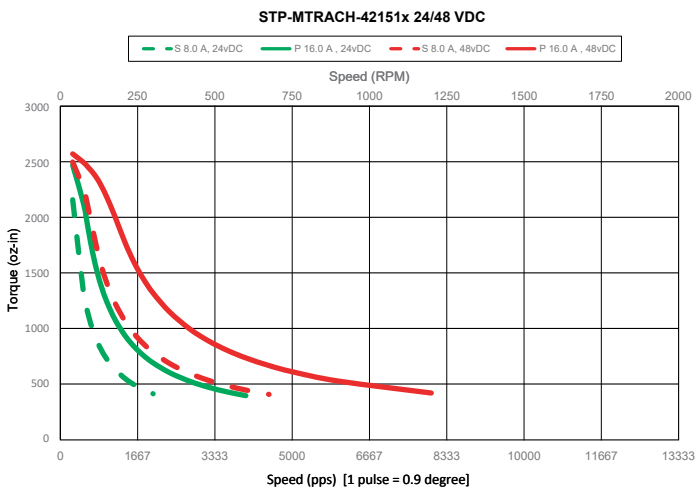
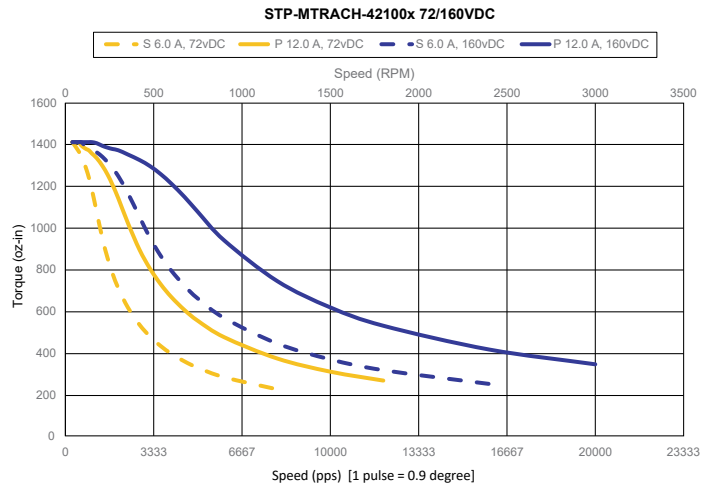
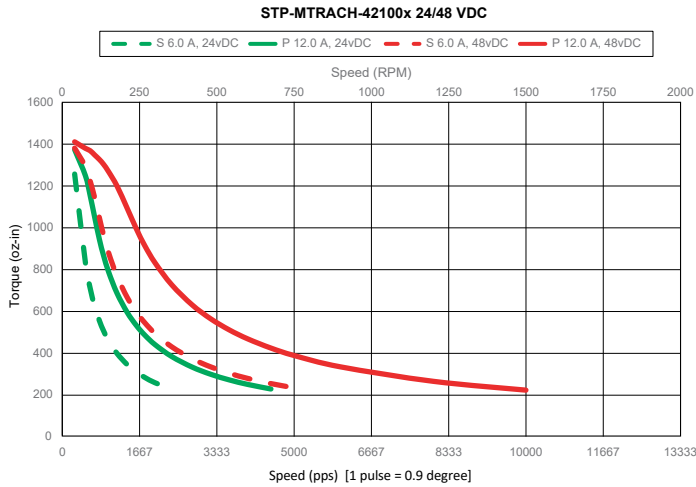


Stepping System Motors

SureStep® Motor Torque vs. Speed Charts (continued)

STP-MTRACH(H)-42xxx(x) NEMA 42 Step Motors

For all NEMA 42 charts: "S" = Series Bipolar Wiring
"P" = Parallel Bipolar Wiring

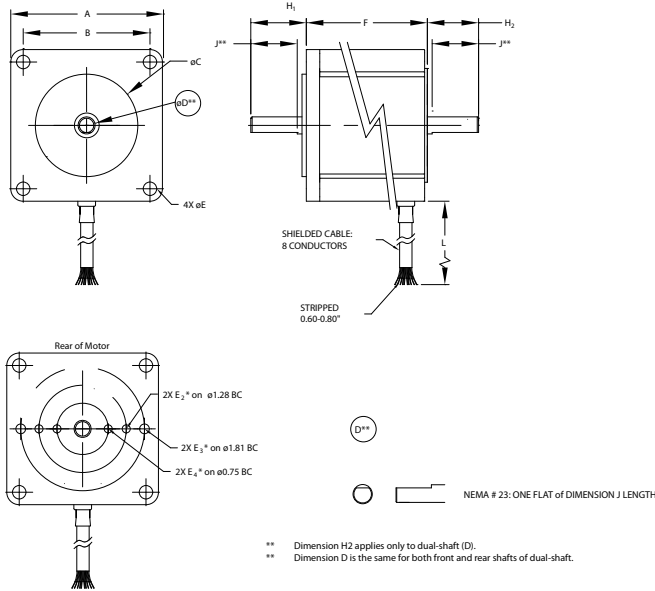




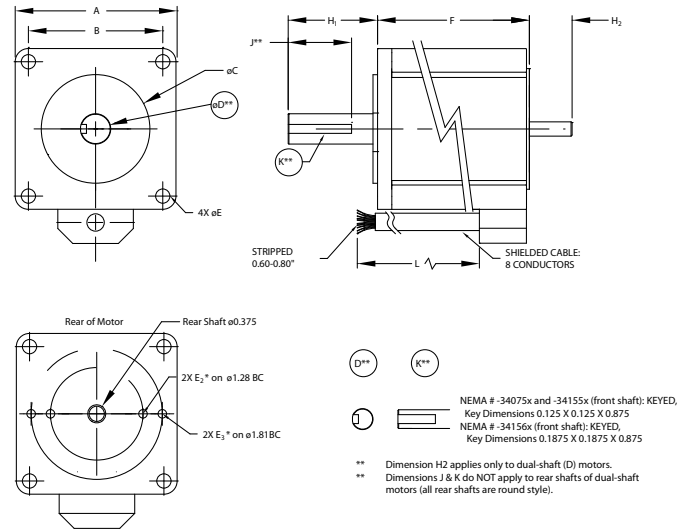
Stepping System Motors

SureStep® Motor Dimensions and Cabling

STP-MTRAC-23xxx Motors



STP-MTRAC-34xxx Motors

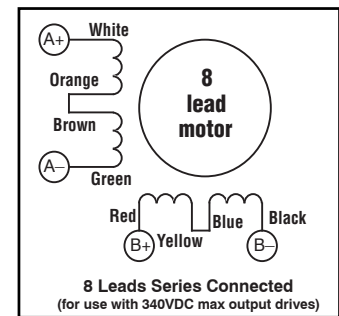


SureStep Series Dimensions & Cabling – High Voltage Bipolar Stepping Motors						
Dimensions* (in [mm])*	High Voltage High Torque					
	STP-MTRAC-23044(x)	STP-MTRAC-23055(x)	STP-MTRAC-23078(x)	STP-MTRAC-34075(x)	STP-MTRAC-34115(x)	STP-MTRAC-34156(x)
A	2.25 [57.15]	2.25 [57.15]	2.25 [57.15]	3.39 [86.1]	3.39 [86.1]	3.39 [86.1]
B	1.86 [47.24]	1.86 [47.24]	1.86 [47.24]	2.74 [69.6]	2.74 [69.6]	2.74 [69.6]
C	1.50 [38.1]	1.50 [38.1]	1.50 [38.1]	2.87 [72.9]	2.87 [72.9]	2.87 [72.9]
D**	0.25 [6.35]	0.25 [6.35]	0.25 [6.35]	0.5 [12.7]	0.5 [12.7]	0.625 [15.9]
E	0.2 [5.08]	0.2 [5.08]	0.2 [5.08]	0.22 [5.59]	0.26 [6.6]	0.22 [5.59]
E2***	2-56 thru	2-56 thru	2-56 thru	2-56 UNC Tap 0.2 Deep	2-56 UNC Tap 0.2 Deep	2-56 UNC Tap 0.2 Deep
E3***	4-40 UNC x 0.2 Deep	4-40 UNC x 0.2 Deep	4-40 UNC x 0.2 Deep	4-40 UNC Tap 0.2 Deep	4-40 UNC Tap 0.2 Deep	4-40 UNC Tap 0.2 Deep
E4***	2-56 UNC Tap 0.2 Deep	2-56 UNC Tap 0.2 Deep	2-56 UNC Tap 0.2 Deep	-	-	-
F	1.71 [43.43]	2.16 [54.86]	3.05 [77.47]	2.95 [74.93]	4.52 [114.81]	6.14 [155.96]
H1	0.81 [20.57]	0.81 [20.57]	0.81 [20.57]	1.25 [31.75]	1.25 [31.75]	1.25 [31.75]
H2***	0.63 [16.0]	0.63 [16.0]	0.63 [16.0]	1.12 [28.45]	1.12 [28.45]	1.12 [28.45]
J	0.60 [15.24]	0.60 [15.24]	0.60 [15.24]	0.87 [22.1]	0.87 [22.1]	0.87 [22.1]
L	120 [3048]	120 [3048]	120 [3048]	120 [3048]	120 [3048]	120 [3048]

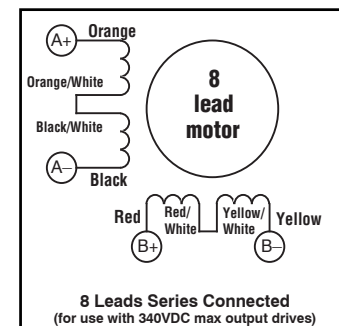
* mm dimensions are for reference purposes only.

** Dimension D (shaft diameter) is the same for both front and rear shafts of NEMA 23 dual-shaft motors. See diagrams for NEMA 34.

*** Dimension applies only to dual-shaft (D) motors.



STP-MTRAC-230xx(x), 34156(x) Motor Wiring

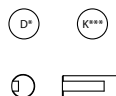
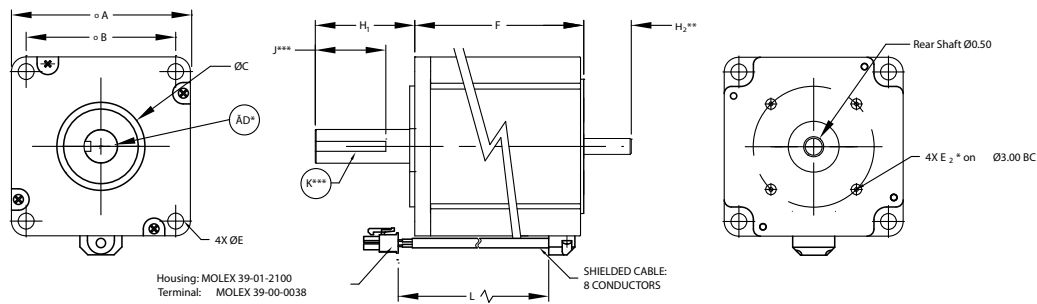


STP-MTRAC-34075(x), 34115(x) Motor Wiring



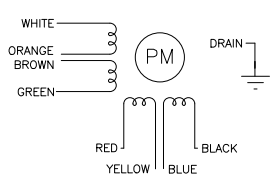
Stepping System Motors

STP-MTRAC-42xxx Motors

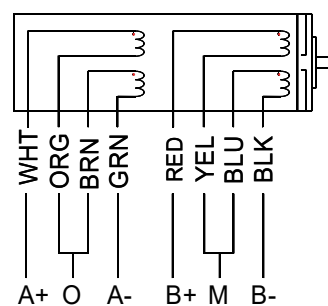


NEMA # 42 (front shaft): KEYED, Key Dimensions 0.188 X 0.188 X 1.377

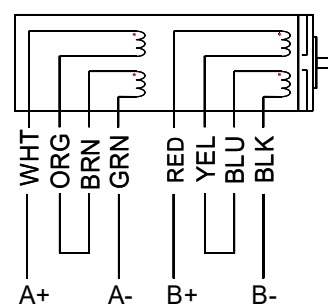
* Dimension D applies only to the front shaft.
 ** Dimension H2 applies only to dual-shaft (D) motors.
 *** Dimensions J & Key do NOT apply to rear shafts of dual-shaft motors (all rear shafts are round style).



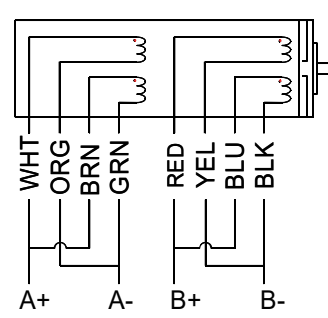
Uni-polar



Bi-polar series



Bi-polar parallel



SureStep Series Dimensions & Cabling – Higher Voltage Bipolar Stepping Motors												
Dimensions* (in [mm]*)	Higher Voltage High Torque											
	STP-MTRAC-42100	STP-MTRAC-42100	STP-MTRAC-42151	STP-MTRAC-42151	STP-MTRAC-42202	STP-MTRAC-42202	STP-MTRAC-42100D	STP-MTRAC-42100D	STP-MTRAC-42151D	STP-MTRAC-42151D	STP-MTRAC-42202D	STP-MTRAC-42202D
A	4.33 [110]	4.33 [110]	4.33 [110]	4.33 [110]	4.33 [110]	4.33 [110]	4.33 [110]	4.33 [110]	4.33 [110]	4.33 [110]	4.33 [110]	4.33 [110]
B	3.50 [88.9]	3.50 [88.9]	3.50 [88.9]	3.50 [88.9]	3.50 [88.9]	3.50 [88.9]	3.50 [88.9]	3.50 [88.9]	3.50 [88.9]	3.50 [88.9]	3.50 [88.9]	3.50 [88.9]
C	2.19 [55.6]	2.19 [55.6]	2.19 [55.6]	2.19 [55.6]	2.19 [55.6]	2.19 [55.6]	2.19 [55.6]	2.19 [55.6]	2.19 [55.6]	2.19 [55.6]	2.19 [55.6]	2.19 [55.6]
D**	0.75 [19.05]	0.75 [19.05]	0.75 [19.05]	0.75 [19.05]	0.75 [19.05]	0.75 [19.05]	0.75 [19.05]	0.75 [19.05]	0.75 [19.05]	0.75 [19.05]	0.75 [19.05]	0.75 [19.05]
E	0.327 [8.31]	0.327 [8.31]	0.327 [8.31]	0.327 [8.31]	0.327 [8.31]	0.327 [8.31]	0.327 [8.31]	0.327 [8.31]	0.327 [8.31]	0.327 [8.31]	0.327 [8.31]	0.327 [8.31]
E2	n/a	n/a	n/a	n/a	4-40 UNC Tap 0.2 Deep	4-40 UNC Tap 0.2 Deep	4-40 UNC Tap 0.2 Deep	4-40 UNC Tap 0.2 Deep	4-40 UNC Tap 0.2 Deep	4-40 UNC Tap 0.2 Deep	4-40 UNC Tap 0.2 Deep	4-40 UNC Tap 0.2 Deep
F	3.88	5.94	7.91	3.88***	5.94***	7.91***						
H1	2.19 [55.6]	2.19 [55.6]	2.19 [55.6]	2.19 [55.6]	2.19 [55.6]	2.19 [55.6]	2.19 [55.6]	2.19 [55.6]	2.19 [55.6]	2.19 [55.6]	2.19 [55.6]	2.19 [55.6]
H2	n/a	n/a	n/a	1.12 [28.4]	1.12 [28.4]	1.12 [28.4]						
J**	1.37 [34.8]	1.37 [34.8]	1.37 [34.8]	1.37 [34.8]	1.37 [34.8]	1.37 [34.8]	1.37 [34.8]	1.37 [34.8]	1.37 [34.8]	1.37 [34.8]	1.37 [34.8]	1.37 [34.8]
L	12 [305]											

* mm dimensions are for reference purposes only.
 ** Dimension D (shaft diameter), J, and Key do not apply to rear shafts of dual-shaft motors.
 *** For encoder mounting the required STP-MTRA-42ENC bracket will add 0.13 inches [3.2 mm] to the length of the motor.



Stepping System Accessories

SureStep® Microstepping Drives Accessories

Braking Accessories

As a load rapidly decelerates from a high speed, much of the kinetic energy of that load is transferred back to the motor. This energy is then pushed back to the drive and power supply, resulting in increased system voltage. If there is enough overhauling load on the motor, the DC voltage will go above the drive and/or power supply limits. In general, the more torque the motor is capable of producing then the more energy it can push back into the drive.

When using a regulated/switching power supply, this can trip the overvoltage protection of the power supply or drive, and cause it to shut down.

To solve this problem, AutomationDirect offers a regeneration clamp as an optional accessory. The regen clamp has a built-in 50W braking resistor. The STP-DRVA-RC-050A does not have the ability to use an external resistor.



Regeneration Clamp [STP-DRVA-RC-050A](#)

Regeneration Clamp Features

[STP-DRVA-RC-050A](#)

- Built-in 50W power resistor for more continuous current handling
- Mounted on a heat sink
- Voltage range: 24–80 VDC; no user adjustments required
- Power: 50W continuous; 800W peak
- Indicators (LED):
Green = power supply voltage is present
Red = clamp is operating (usually when stepper is decelerating)
- Protection: The external power supply is internally connected to an “Input Diode” in the regen clamp that protects the power supply from high regeneration voltages. This diode protects the system from connecting the power supply in reverse. If the clamp circuit fails, the diode will continue to protect the power supply from over-voltage.
- Three drive connections, 7A max per channel, 15A total output current
- Removable terminal blocks (replacement kit STP-CON-4)
- Uses 18-20 AWG wire for connections

SureStep Damper

A step motor inertia damper can smooth out steps in a typical step motor resulting in a quieter and smoother motion when rotating between steps. Reducing the resonance and possible micro oscillations when moving from step to step is the main purpose of a “hockey puck” style damper, but it can also be used as a hand wheel to directly rotate the position of the rotor when power is removed from the motor. The damper is a properly sized machined piece of aluminum encased in plastic. It is sized and weighted for general damping of the respective frame size motor.



Damper

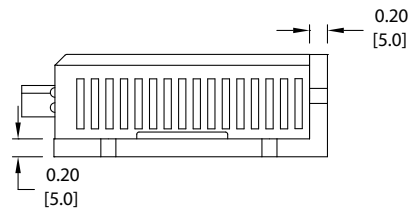
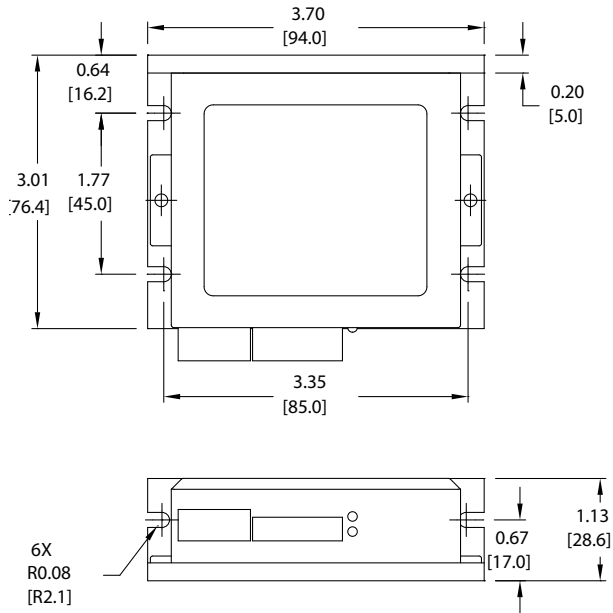
Sure Step Series Specifications – Microstepping Drives Optional Accessories			
Part Number	Price	Description	Drawing
STP-DRVA-RC-050A *	\$61.00	Regen Clamp: 50W, for DC input stepper and servo drives, enclosed	PDF
STP-MTRA-17DMP	\$15.00	SureStep damper, metal body. For use with NEMA 17 stepper motors with 5mm shafts. Mounting set screw included.	PDF
STP-MTRA-23DMP	\$34.50	SureStep damper, metal body. For use with NEMA 23 stepper motors with 1/4 inch shafts. Mounting set screw included.	PDF

* Do not use the regeneration clamp in an atmosphere containing corrosive gases.

SureStep® Microstepping Drives Accessories

Dimensions = in [mm]

STP-DRVA-RC-050A





Stepping System Accessories

SureStep® Microstepping Drives Accessories

USB to RS-485 Adapter

The STP-USB485-4W is a USB to RS-232/RS-485 converter that can be used in 2-wire or 4-wire serial networks. Serial communication can be wired up via the 9-pin D-sub connector or through the 6-screw terminals.

The STP-USB485-4W can be set for several different configurations. These modes are set up by the 4 DIP switches on the outside of the case (RS-232/RS-485, full/half duplex) and by the 7 jumpers located inside the case (termination/bias resistors).

SureStep Advanced Drives communicate via RS-232 (for control and for configuration via SureMotion Pro).

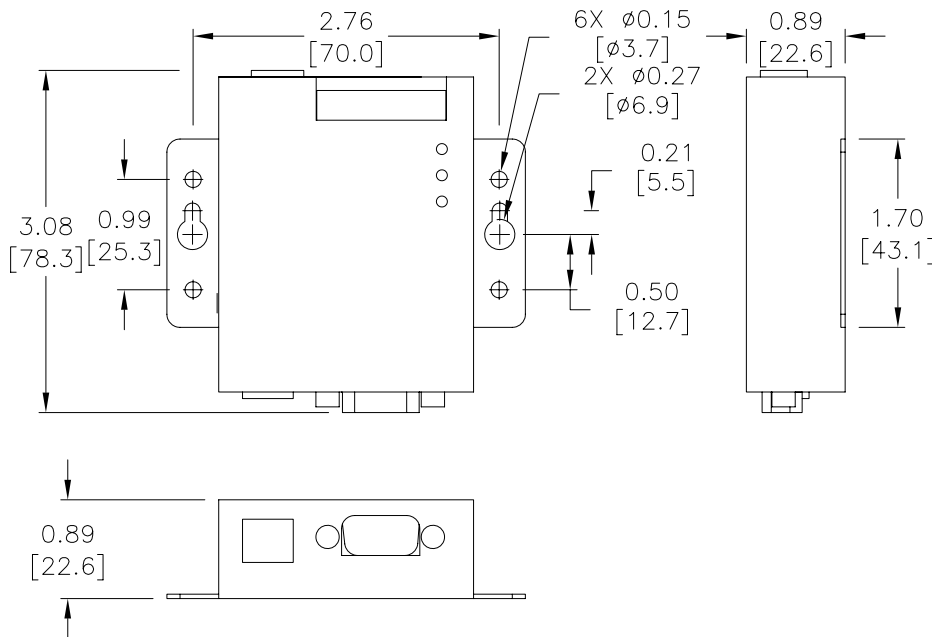
The Advanced Integrated motor/drives use RS-485. While the Advanced Integrated motor/drives can be wired for either 2- or 4-wire networks, 4-wire is require for use with SureMotion Pro due to the Firmware Download utility and the Status Monitor Screen.

Depending on the host controller's RS-485 implementation, either 2- or 4-wire RS-485 can be used for control. All RS-485 PLCs that have 2-wire capability (Productivity, BRX, Click, DirectLogic, etc.) can control the Advanced Integrated steppers.



SureStep PC Adapter - STP-USB485-4W	
Price	\$130.00
Drawing	PDF
Communications	2-wire RS-232 2- or 4-wire RS-485
Configure With	Internal jumpers and external DIP switches
Compatible Cables	STP-232RJ11-CBL STP-485DB9-CBL-2 USB

Dimensions = in [mm]





Stepping System Accessories

SureStep® Stepping System Encoders

Replacement Encoders

The [STP-MTRA-ENC1](#) is a replacement for the encoder that comes standard with the [STP-MTRD-17038E](#), [STP-MTRD-23042E](#), and [STP-MTRD-23065E](#) integrated motor/drives. Note that the encoder included with (E) model advanced integrated motor/drives is internal and cannot be replaced.

The [AMT112Q-V](#) is a replacement for the encoder that comes standard with the [STP-MTR\(x\)-xxxxE](#) stand alone step motors.

Installation tool and mounting hardware is included with all replacement encoders. For more information and details on how to wire the replacement encoders, please see the SureStep User Manual.

Optional Encoders

Optional encoders can be purchased separately for standard integrated motor/drives and standalone dual-shaft motors in all NEMA 14, 17, and 23 sizes, and also for [STP-MTRAC-34xxxD](#) motors (currently not available for [STP-MTRx-34xxxD](#) motors). All (D) model (dual-shaft) step motors come with pre-drilled holes in the rear end cap for easy encoder mounting. Pre-installed encoders on standalone dual-shaft motors and standard integrated motor/drives can be retrofitted with an appropriate optional encoder if desired. Please see the chart on the following page for encoder compatibility.

Features:

- Fixed resolutions include 400ppr or 1000ppr
- Configurable models have up to 4096ppr (default = 400ppr)
- Choose line driver or push-pull (totem) output signals



STP-MTRA-ENC2



AMT112Q-V



STP-MTRA-ENC11

Sure Step Series Specifications – Encoders			
Part Number	Price	Description	Drawing
STP-MTRA-ENC1	\$67.00	SureStep incremental (quadrature) modular encoder, 5VDC, line driver (differential) output, 1000 ppr. For use with SureStep stepper motors with 5mm rear shaft. Installation tool and mounting hardware included.	PDF
STP-MTRA-ENC2	\$67.00	SureStep incremental (quadrature) modular encoder, 5VDC, Push-pull (totem) output, 1000 ppr. For use with SureStep stepper motors with 5mm rear shaft. Installation tool and mounting hardware included.	PDF
STP-MTRA-ENC3	\$69.00	SureStep incremental (quadrature) modular encoder, 5VDC, line driver (differential) output, 400 ppr. For use with SureStep stepper motors with 5mm rear shaft. Installation tool and mounting hardware included.	PDF
STP-MTRA-ENC4	\$58.00	SureStep incremental (quadrature) modular encoder, 5VDC, Push-pull (totem) output, 400 ppr. For use with SureStep stepper motors with 5mm rear shaft. Installation tool and mounting hardware included.	PDF
STP-MTRA-ENC5	\$80.00	SureStep incremental (quadrature) modular encoder, 5VDC, line driver (differential) output, 1000 ppr. For use with SureStep stepper motors with 1/4 inch rear shaft. Installation tool and mounting hardware included.	PDF
STP-MTRA-ENC6	\$67.00	SureStep incremental (quadrature) modular encoder, 5VDC, Push-pull (totem) output, 1000 ppr. For use with SureStep stepper motors with 1/4 inch rear shaft. Installation tool and mounting hardware included.	PDF
STP-MTRA-ENC7	\$69.00	SureStep incremental (quadrature) modular encoder, 5VDC, line driver (differential) output, 400 ppr. For use with SureStep stepper motors with 1/4 inch rear shaft. Installation tool and mounting hardware included.	PDF
STP-MTRA-ENC8	\$58.00	SureStep incremental (quadrature) modular encoder, 5VDC, Push-pull (totem) output, 400 ppr. For use with SureStep stepper motors with 1/4 inch rear shaft. Installation tool and mounting hardware included.	PDF
STP-MTRA-ENC11	\$72.00	SureStep incremental (quadrature) modular encoder, 5 VDC, line driver (differential) output, 1000 ppr. For use with SureStep stepper motors with 3/8in rear shaft. Installation hardware included. Requires STP-CBL-EAxx cable.	PDF
STP-MTRA-ENC12	\$60.00	SureStep incremental (quadrature) modular encoder, 5 VDC, push-pull (totem) output, 1000 ppr. For use with SureStep stepper motors with 3/8in rear shaft. Installation hardware included. Requires STP-CBL-EDxx cable.	PDF
STP-MTRA-ENC13	\$61.00	SureStep incremental (quadrature) modular encoder, 5 VDC, line driver (differential) output, 400 ppr. For use with SureStep stepper motors with 3/8in rear shaft. Installation hardware included. Requires STP-CBL-EAxx cable.	PDF
STP-MTRA-ENC14	\$52.00	SureStep incremental (quadrature) modular encoder, 5 VDC, push-pull (totem) output, 400 ppr. For use with SureStep stepper motors with 3/8in rear shaft. Installation hardware included. Requires STP-CBL-EDxx cable.	PDF



Stepping System Accessories

SureStep® Stepping System Encoders

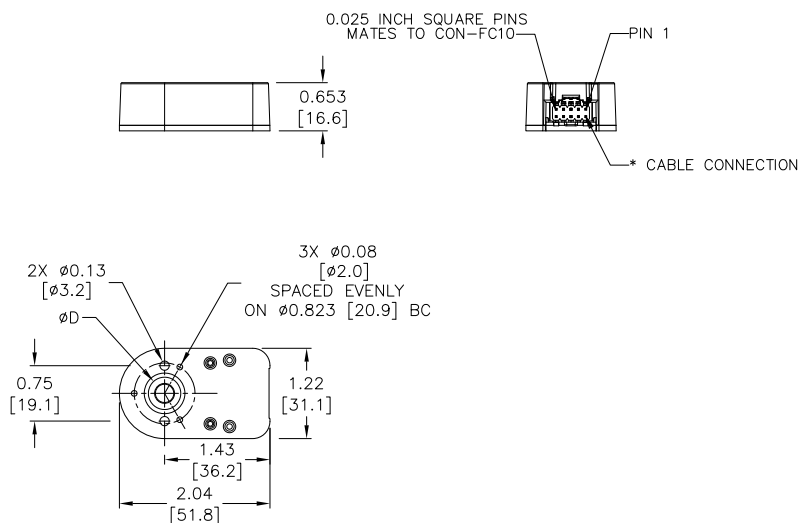
Sure Step Series Encoder Compatibility						
Part Number	PPR	Bore Diameter	Output Type	Encoder Cable	PLC Compatibility	Motor Compatibility
<u>STP-MTRA-ENC1</u>	1000	5mm	Line Driver	STP-CBL-EAxx	P2-HSI, P3-HSI, BRX*, CLICK C0-1xDxE-D*	STP-MTRx-14xxxD STP-MTRx-14xxxE STP-MTRx-17xxxD STP-MTRx-17xxxE Standard STP-MTRD-xxxxE
<u>STP-MTRA-ENC2</u>			Push-pull (totem)	STP-CBL-EDxx	BRX*, CLICK C0-1xDxE-D*	
<u>STP-MTRA-ENC3</u>	400		Line Driver	STP-CBL-EAxx	P2-HSI, P3-HSI, BRX*, CLICK C0-1xDxE-D*	
<u>STP-MTRA-ENC4</u>			Push-pull (totem)	STP-CBL-EDxx	BRX*, CLICK C0-1xDxE-D*	
<u>STP-MTRA-ENC5</u>	1000	0.25 inch	Line Driver	STP-CBL-EAxx	P2-HSI, P3-HSI, BRX*, CLICK C0-1xDxE-D*	STP-MTRx-23xxxD STP-MTRx-23xxxE STP-MTRAC-23xxxD
<u>STP-MTRA-ENC6</u>			Push-pull (totem)	STP-CBL-EDxx	BRX*, CLICK C0-1xDxE-D*	
<u>STP-MTRA-ENC7</u>	400		Line Driver	STP-CBL-EAxx	P2-HSI, P3-HSI, BRX*, CLICK C0-1xDxE-D*	
<u>STP-MTRA-ENC8</u>			Push-pull (totem)	STP-CBL-EDxx	BRX*, CLICK C0-1xDxE-D*	
<u>STP-MTRA-ENC11</u>	1000	0.375 inch	Line Driver	STP-CBL-EAxx	P2-HSI, P3-HSI, BRX*, CLICK C0-1xDxE-D*	STP-MTRAC-34xxxD
<u>STP-MTRA-ENC12</u>			Push-pull (totem)	STP-CBL-EDxx	BRX*, CLICK C0-1xDxE-D*	
<u>STP-MTRA-ENC13</u>	400		Line Driver	STP-CBL-EAxx	P2-HSI, P3-HSI, BRX*, CLICK C0-1xDxE-D*	
<u>STP-MTRA-ENC14</u>			Push-pull (totem)	STP-CBL-EDxx	BRX*, CLICK C0-1xDxE-D*	

* Requires FC-ISO-C

SureStep® Stepping System Encoders

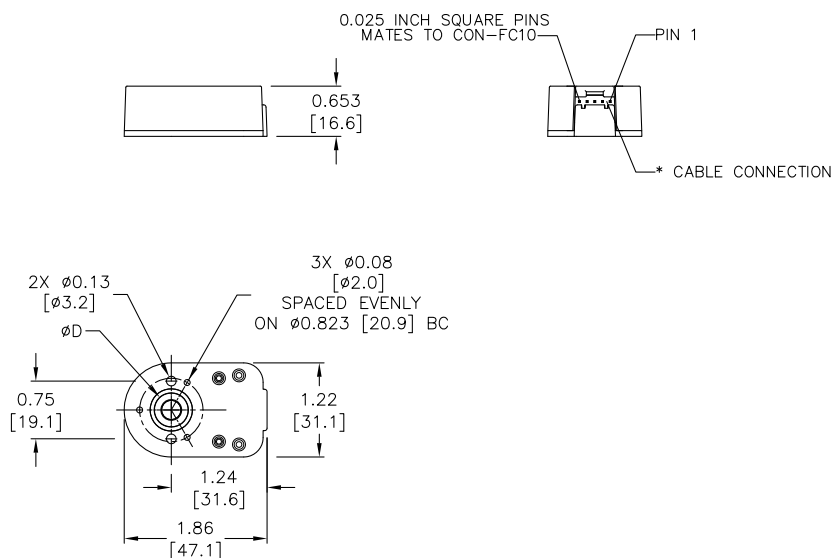
Dimensions = in [mm]

STP-MTRA-ENC1, 3, 5, 7



Bolt Hole Circles for Mounting	
Encoder	Holes
ENC1, ENC2, ENC3, ENC4, ENC5, ENC6, ENC7, ENC8	2 holes @ 19.05mm (.75") 3 holes @ 20.9mm (.823")

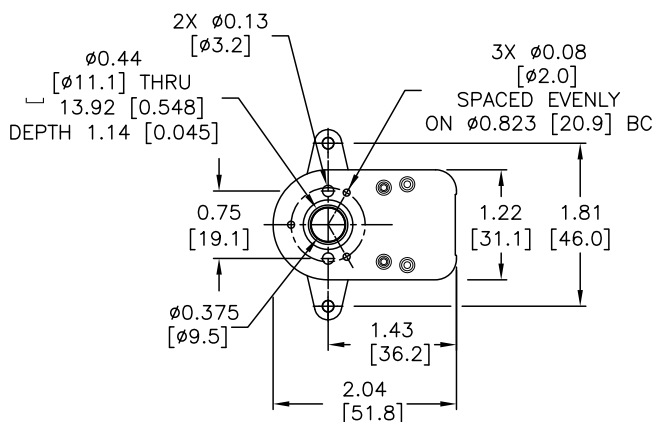
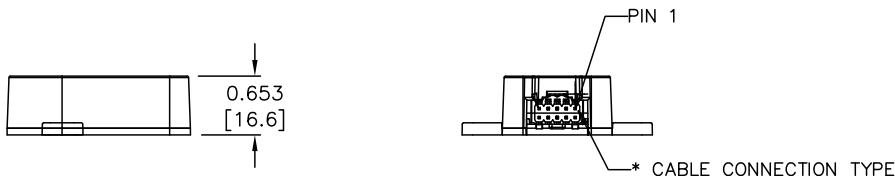
STP-MTRA-ENC2, 4, 6, 8



SureStep® Stepping System Encoders

Dimensions = in [mm]

STP-MTRA-ENC11, 13



Bolt Hole Circles for Mounting	
Encoder	Holes
ENC11, ENC12, ENC13, ENC14	2 holes @ 19.05mm (.75")
	3 holes @ 20.9mm (.823")
	2 holes @ 46.02mm (1.812")

STP-MTRA-ENC12, 14

