



EPS Series Digital Pressure Sensors - Accessories



Part No. [EPS-CV](#)



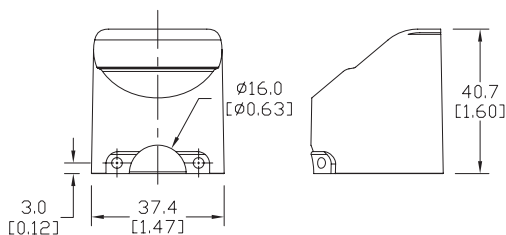
Part No. [EPS-BKT1](#)

EPS Series Digital Pressure Sensors - Accessories			
Part No.	Description	Price	Wt (lb)
EPS-CV	ProSense protective cover, for use with ProSense EPS series digital pressure sensors.	\$6.25	0.1
EPS-BKT1	ProSense mounting bracket, for use with ProSense EPS series digital pressure sensors.	\$8.00	0.1

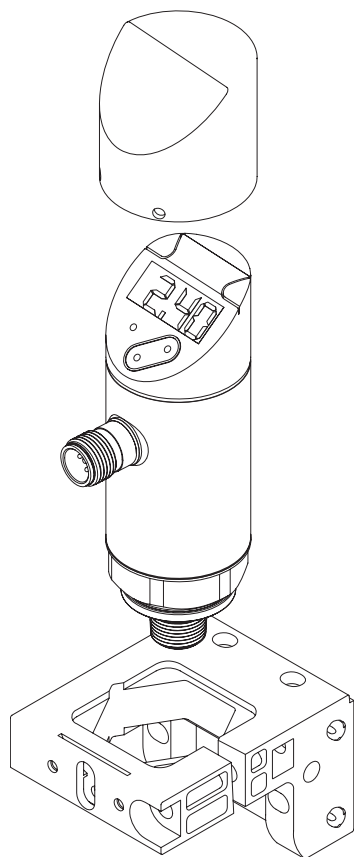
EPS Series Digital Pressure Sensor Accessory Specifications	
Part No.	Material
EPS-CV	PP (polypropylene)
EPS-BKT1	Fiber and mineral reinforced polyamide

Dimensions

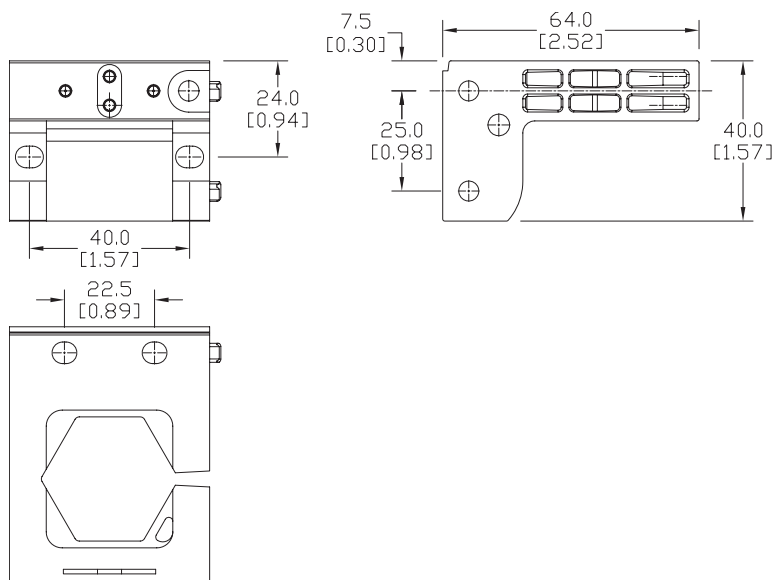
mm [inches]



Part No. [EPS-CV](#)



Assembly Example



Part No. [EPS-BKT1](#)

See our website www.AutomationDirect.com for complete Engineering drawings.