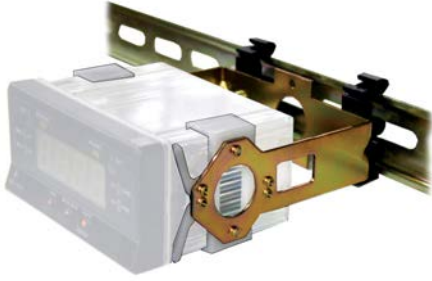
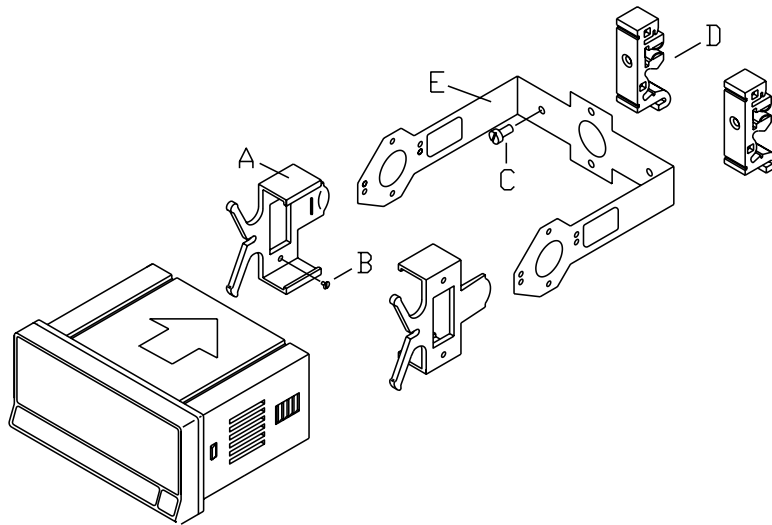


# pro<sup>ense</sup> Digital Panel Meter Accessories



Panel Meter Accessories			
Model	Description	Weight (lbs)	Price
<b>DPM-BKT1</b>	ProSense panel mount bracket, for use with DPM2 and DPM3 series 1/8 DIN digital panel meters. Hardware included.	0.3	\$22.00



The DPM-BKT1 kit includes:

- A. 2 mounting clips.
  - B. 4 screws M3 x 6 DIN 963 to attach the clips to the inside of the arms of part E.
  - C. 2 screws M4 x 8 DIN 84 to attach DIN rail clips to part E.
  - D. 2 DIN rail clips (DIN rail EN50022 or EN50035).
  - E. 1 metal bracket.
- (Panel Meter not included)

Insert



Scan or click the above QR code to be taken to the [DPM-BKT1 Insert](#)

See our website [www.AutomationDirect.com](http://www.AutomationDirect.com) for complete Engineering drawings.