

prosense® DPG1 Series Digital Pressure Gauges



ProSense DPG1 digital pressure gauges are ideal for industrial and general purpose applications requiring an accurate and reliable device with easy to read digital display.

Features

- ±0.5% accuracy
- 2-button operation
- Backlight display turns on when on/off button is pressed
- Option for continuous peak pressure indication
- Continuous on display option or timeout to save battery life
- Wide variety of pressure unit selections
- Reset to zero feature
- Powered via 2 x AAA batteries (included)
- Rubber boot for added protection (included)
- 316L welded diaphragm seal
- ASME B40.100 compliant

DPG1 Series Digital Pressure Gauges

| Part Number | Scale | Pcs/Pkg | Wt (lb) | Price |
|---------------------------|----------------|---------|---------|----------|
| DPG1-15 | 0 to 15 psig | 1 | 0.7 | \$140.00 |
| DPG1-30 | 0 to 30 psig | 1 | 0.7 | \$140.00 |
| DPG1-60 | 0 to 60 psig | 1 | 0.7 | \$140.00 |
| DPG1-100 | 0 to 100 psig | 1 | 0.7 | \$140.00 |
| DPG1-200 | 0 to 200 psig | 1 | 0.7 | \$140.00 |
| DPG1-300 | 0 to 300 psig | 1 | 0.7 | \$140.00 |
| DPG1-600 | 0 to 600 psig | 1 | 0.7 | \$140.00 |
| DPG1-1000 | 0 to 1000 psig | 1 | 0.7 | \$140.00 |
| DPG1-3000 | 0 to 3000 psig | 1 | 0.7 | \$140.00 |
| DPG1-5000 | 0 to 5000 psig | 1 | 0.7 | \$140.00 |

Note: Check the chemical compatibility of the sensor's wetted parts with the medium to be measured.

DPG1 Series Digital Pressure Gauges

| Part Number | Operating Pressure | Proof Pressure | Burst Pressure |
|---------------------------|--------------------|----------------|----------------|
| DPG1-15 | 0 to 15 psig | 30 psig | 45 psig |
| DPG1-30 | 0 to 30 psig | 60 psig | 90 psig |
| DPG1-60 | 0 to 60 psig | 120 psig | 180 psig |
| DPG1-100 | 0 to 100 psig | 200 psig | 300 psig |
| DPG1-200 | 0 to 200 psig | 400 psig | 600 psig |
| DPG1-300 | 0 to 300 psig | 600 psig | 900 psig |
| DPG1-600 | 0 to 600 psig | 1200 psig | 1800 psig |
| DPG1-1000 | 0 to 1000 psig | 2000 psig | 3000 psig |
| DPG1-3000 | 0 to 3000 psig | 6000 psig | 9000 psig |
| DPG1-5000 | 0 to 5000 psig | 10000 psig | 15000 psig |



Warning! Avoid static and dynamic overpressure exceeding the specified proof pressure. Exceeding the bursting pressure for even a short time can cause destruction of the unit and possible injuries! Not for use in vacuum applications. Negative pressure can damage gauge.

DPG1 Series Digital Pressure Gauge Specifications

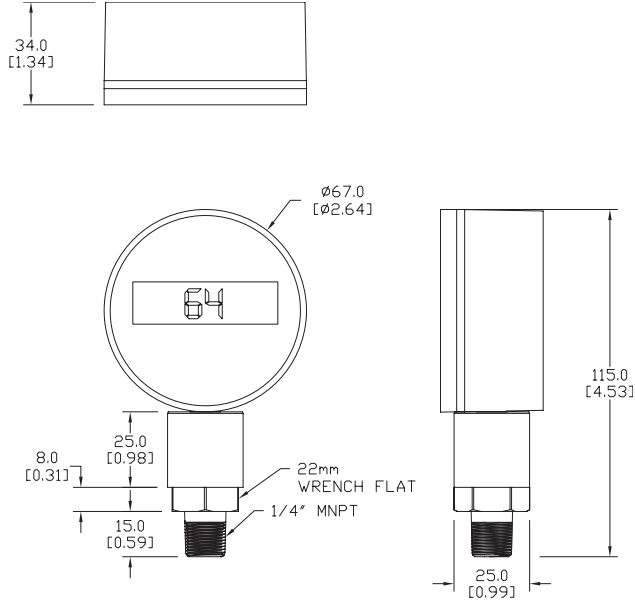
| | |
|------------------------------------|---|
| Case Size | 2.5" (63mm) |
| Case Material | ABS (acrylonitrile butadiene styrene) |
| Rubber Boot | Silicone rubber |
| LCD Display | 2" x 3/4" (48mm x 16mm) |
| Process Connection | 1/4" NPT |
| Sensor | Piezo, welded |
| Wetted Parts | 304SS, 316L |
| Operating Life | 1 million cycles |
| Power Supply | 2 x AAA battery (1.5V) - included/installed |
| Battery Life | 2 years (auto shut-off mode), 2 weeks if on continuously |
| Power Mode | Auto or manual shut-off |
| Display Digits | 4-digits, 12.5 mm character height |
| Pressure Unit Selection | psi, mH ₂ O, mmHg, mbar, kPa range ≤ 100psig psi, bar, kg/cm ² , MPa, atm ranges ≥ 200psig |
| Response Time | ≤ 3Hz display refresh rate |
| Proof / Burst Pressure | 200% / 300% of full scale |
| Ambient/Process Temperature | 14°F to 122°F (-10°C to 50°C) |
| Storage Temperature | -4°F to 167°F (-20°C to 75°C) |
| Accuracy | ±0.5% of full scale |
| Enclosure Rating | IP60 |
| Approvals* | None |

* To obtain the most current agency approval information, see the Agency Approval Checklist section on the specific part number's web page

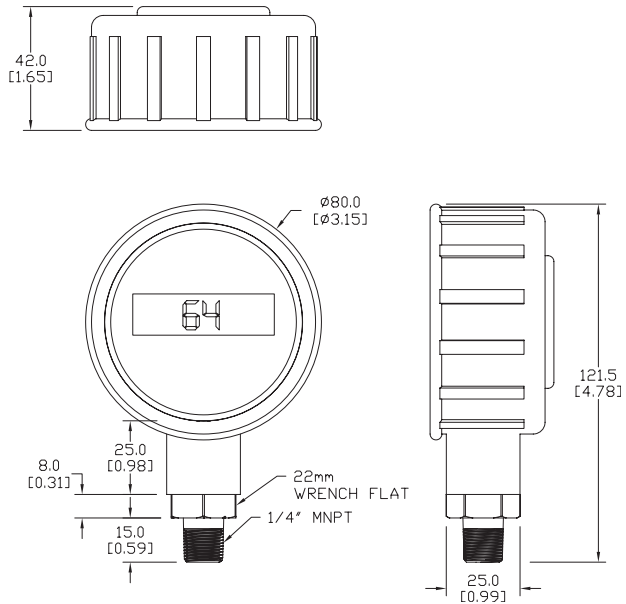
pro^{sense}® DPG1 Series Digital Pressure Gauges

Dimensions

mm [inches]



DPG1 Gauges without Rubber Boot Installed



DPG1 Gauges with Rubber Boot Installed

See our website www.AutomationDirect.com for complete Engineering drawings.