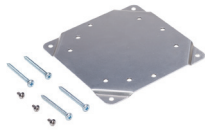


# pro<sup>sense</sup>® Differential Pressure Gauges Accessories

## Applications



Part No. DGA-B



Part No. DGA-R



Part No. DGA-T



Part DGA-B shown with  
DGA Differential Pressure  
Gauge



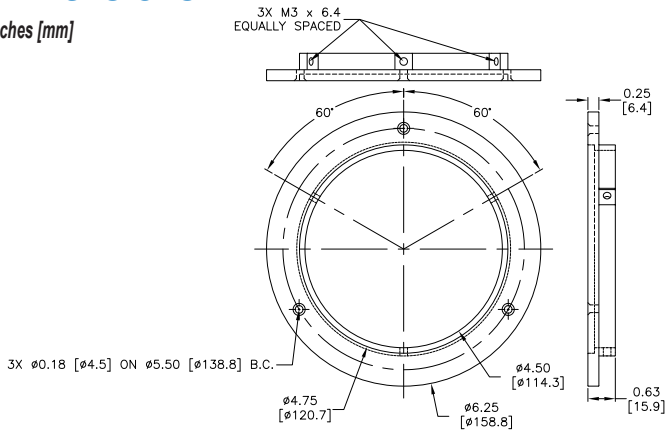
Part DGA-R shown with  
DGA Differential Pressure  
Gauge

- DGA-T Static Pressure Tip:  
Use the DGA-T to sense static pressure in ducts, across filters, coils, fans, etc. The angled tip is brass, has a 4" insertion depth and four radial 0.04" sensing holes. The tip also has a compression fitting for use with 1/4" OD metal or plastic tubing.
- DGA-B Surface Mount Bracket:  
Mount the DGA gauge to the pre-drilled holes in the metal DGA-B mounting bracket and then mount the bracket to any vertical flat surface.
- DGA-R Panel Mount Flange:  
Secure the plastic flange to the DGA gauge with the three set screws in the flange. The DGA can now be mounted to a panel using the three mounting holes in the flange and the included mounting screws.

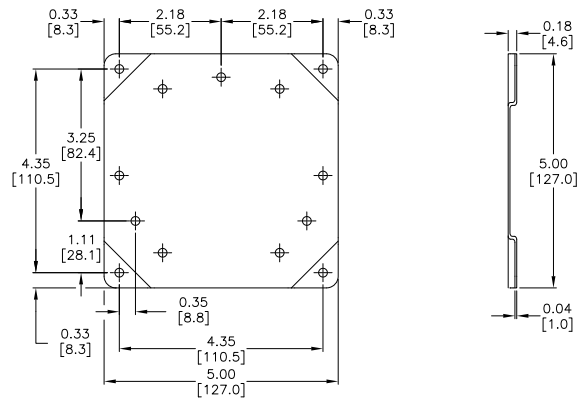
ProSense Differential Pressure Gauges Accessories				
Part Number	Description	Pcs/Pkg	Wt(lb)	Price
<u>DGA-T</u>	ProSense static pressure tip with compression fitting, brass, for use with DGA series differential pressure gauges or DPTA series differential pressure transmitters.	1	0.07	\$16.50
<u>DGA-B</u>	ProSense surface mount bracket, aluminum, for use with DGA series differential pressure gauges. Hardware included.	1	0.1	\$10.50
<u>DGA-R</u>	ProSense panel mount flange, ABS plastic, for use with DGA series differential pressure gauges. Hardware included.	1	0.15	\$11.00

## Dimensions

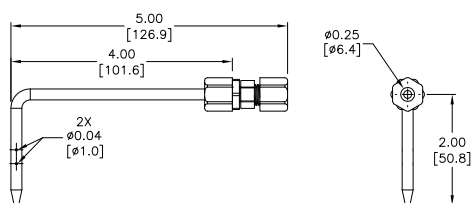
inches [mm]



Part No. DGA-R



Part No. DGA-B



Part No. DGA-T

See our website [www.AutomationDirect.com](http://www.AutomationDirect.com) for complete Engineering drawings.