

LZB46-L-AR0004-11

Printed Matter No.9836 7325 00
Publication Date 2023-10-31

Air Motors

Valid from Serial No. C5700001

Safety Information

LZB46-L-AR0004-11

8411046413

Free speed: 35 r/min

Lubrication free



Ex II 2 G Ex h IIC T6 Gb

Ex II 2 D Ex h IIIC T85°C Db



⚠ WARNING

To reduce risk of injury, everyone using, installing, repairing, maintaining, changing accessories on, or working near this tool **MUST** read and understand these instructions before performing any such task.

DO NOT DISCARD - GIVE TO USER

Atlas Copco

Table of Contents

EN	Safety Information.....	3
FR	Informations concernant la sécurité	8
DE	Sicherheitshinweise.....	13
ES	Información sobre seguridad.....	18
PT	Informação de Segurança.....	23
IT	Informazioni sulla sicurezza.....	28
NL	Veiligheidsinformatie.....	33
DA	Sikkerhedsoplysninger	38
NO	Sikkerhetsinformasjon.....	42
FI	Turvallisuustiedot.....	47
EL	Πληροφορίες για την ασφάλεια	52
SV	Säkerhetsinformation	57
RU	Информация по технике безопасности	62
PL	Informacje dotyczące bezpieczeństwa	68
SK	Bezpečnostné informácie	73
CS	Bezpečnostní informace	78
HU	Biztonsággal kapcsolatos tudnivalók	83
SL	Varnostne informacije.....	88
RO	Informații privind siguranța	92
TR	Güvenlik bilgileri	97
BG	Информация за безопасност.....	102
HR	Sigurnosne informacije	107
ET	Ohutus informatsioon.....	112
LT	Saugos informacija.....	117
LV	Drošības informācija	122
ZH	安全信息.....	126
JA	安全情報.....	131
KO	안전 정보.....	135

Technical Data

Technical Data

Ordering No	8411046413
Model	LZB46-L-AR0004-11
Air consumption at max output	14 l/s
Air consumption at max output	29.7 cfm
Braking torque	Nm
Braking torque	ft lb
Built in brake	No
External parts material	Hardened steel/Aluminium
Free speed	35 r/min
Max output	0.59 kW
Max output	0.79 hp
Min starting torque	388 Nm
Min starting torque	286 ft lb
Ratio	
Gear ratio	
Rotation direction	Reversible
Shaft loading code	h
Shaft type	Keyed
Speed at max output	20 r/min
Stall torque	574 Nm
Stall torque	423 ft lb
Torque at max output	287 Nm
Torque at max output	212 ft lb
Vane type	Lubrication free
Weight	4.9 kg
Weight	10.8 lb
Inlet hose	10 mm
Inlet hose	0.4 in
Ingress protection rating	IP66
Outlet hose	16 mm
Outlet hose	0.6 in

IP Rating

The IP Rating of the air motors refer to the mechanical casing according to the IEC 60529 standard. The IP rating does not cover corrosion resistance or any liquids other than clean freshwater.

Declarations

EU DECLARATION OF INCORPORATION

We, **Atlas Copco Industrial Technique AB**, SE-105 23 STOCKHOLM SWEDEN, declare under our sole responsibility that this product (with name, type and serial number, see front page) fulfils the following essential requirements of Machinery Directive 2006/42/EC:

2006/42/EC (Annex I, clauses 1.1, 1.2 (excluding 1.2.4.3), 1.3, 1.4, 1.5, 1.6, 1.7)

And that this partly completed machinery is in conformity with the provisions of the following other EU Directive(s): 2014/34/EU (ATEX)

This partly completed machinery must not be put into service until the final machinery into which it is to be incorporated has been declared in conformity with provisions of the Machinery Directive 2006/42/EC, where appropriate.

The following (parts/clauses of) European harmonized standards have been applied:

EN 1127-1:2019, EN ISO 12100:2010, EN ISO 80079-36:2016, EN ISO 80079-37:2016

The relevant technical documentation was compiled and was communicated in accordance with Machinery Directive 2006/42/EC part B of Annex VII and ATEX Directive 2014/34/EU Article 13 (1) b) ii in the Notified Body ExVeritas ApS (EU Identification No 2804) in Denmark. Authorities can request the technical file for ATEX Directive 2014/34/EU in paper form from:

<https://www.exveritas.com/2022/02/02/what-you-need-for-atex-and-ukca-explosive-atmosphere-certification-for-the-uk-and-eu-markets/>

Stockholm, 1 September 2023

Håkan Andersson, Managing Director

Signature of issuer



Information regarding Article 33 in REACH

The European Regulation (EU) No. 1907/2006 on Registration, Evaluation, Authorization and restriction of Chemicals (REACH) defines among other things requirements related to communication in the supply chain. The information requirement applies also to products containing so called Substances of Very High Concern (the "Candidate List"). On 27 June 2018 lead metal (CAS nr 7439-92-1) was added to the Candidate List.

In accordance with the above this is to inform you that certain mechanical components in the product may contain lead metal. This is in compliance with current substance restriction legislation and based on legit exemptions in the RoHS Directive (2011/65/EU). Lead metal will not leak or mutate from the product during normal use and the concentration of lead metal in the complete product is well below the applicable threshold limit. Please consider local requirements on the disposal of lead at product end of life.

Regional Requirements

WARNING

This product can expose you to chemicals including lead, which is known to the State of California to cause cancer and birth defects or other reproductive harm. For more information go to

<https://www.p65warnings.ca.gov/>

UK DECLARATION OF INCORPORATION

We, **Atlas Copco Industrial Technique AB**, SE-105 23 STOCKHOLM SWEDEN, declare under our sole responsibility that this product (with name, type and serial number, see front page) fulfils the following essential requirements of The Supply of Machinery (Safety) Regulations 2008 S.I. 2008/1597:

S.I. 2008/1597 (Annex I, clauses 1.1, 1.2 (excluding 1.2.4.3), 1.3, 1.4, 1.5, 1.6, 1.7)

And that this partly completed machinery is in conformity with the provisions of the following other UK Regulation(s): S.I. 2016/1107

This partly completed machinery must not be put into service until the final machinery into which it is to be incorporated has been declared in conformity with provisions of The Supply of Machinery (Safety) Regulations 2008 S.I. 2008/1597, where appropriate.

The following (parts/clauses of) Designated Standards have been applied:

BS EN 1127-1:2019, BS EN ISO 12100:2010, BS EN ISO 80079-36:2016, BS EN ISO 80079-37:2016

The relevant technical documentation was compiled and was communicated in accordance with The Supply of Machinery (Safety) Regulations 2008 S.I. 2008/1597 part B of Annex VII and Equipment and Protective Systems Intended for Use in Potentially Explosive Atmospheres Regulations 2016 S.I. 2016/1107 Article 13 (1) b) ii in the ExVeritas UKCA Approval Body Number 2585.

Authorities can request the technical file for Equipment and Protective Systems Intended for Use in Potentially Explosive Atmospheres Regulations 2016 S.I. 2016/1107 in paper form from:

<https://www.exveritas.com/2022/02/02/what-you-need-for-atex-and-ukca-explosive-atmosphere-certification-for-the-uk-and-eu-markets/>

Stockholm, 1 September 2023

Håkan Andersson, Managing Director

Signature of issuer


Authorised Representative UK

James McAllister, General Manager

Atlas Copco Ltd

Swallowdale Lane

Hemel Hempstead

Hertfordshire HP2 7EA

Safety

DO NOT DISCARD - GIVE TO USER

⚠ WARNING Read all safety warnings, instructions, illustrations and specifications provided with this product.

Failure to follow all instructions listed below may result in electric shock, fire, property damage and/or serious injury.

Save all warnings and instructions for future reference.

⚠ WARNING All locally legislated safety rules regarding installation, operation and maintenance shall be respected at all times.

Statement of Use

- For professional use only.
- This product and its accessories must not be modified in any way.
- Do not use this product if it has been damaged.
- If the product data or hazard warning signs on the product cease to be legible or become detached, replace without delay.
- The product must only be installed, operated and serviced by qualified personnel in an industrial environment.

Intended Use

This motor is designed to be incorporated into a fixed or moving machine. It is either for right hand rotation only, left hand rotation only, or reversible rotation and should be mounted by the flange or threaded nose only, as appropriate. No other use permitted.

The risk of motors being the source of ignition of a potentially explosive atmosphere is extremely small. The user is responsible for assessing the risks associated with the whole machine into which the motor is to be incorporated.

Product Specific Instructions**Warning**

⚠ WARNING Polymer hazard

The vanes in this product contain PTFE (a synthetic fluoropolymer). Due to wear, there might be PTFE particles inside the product. Heated PTFE can produce fumes which may cause polymer fume fever with flu-like symptoms, especially when smoking contaminated tobacco.

Health and Safety recommendations for PTFE must be followed when handling vanes and other components:

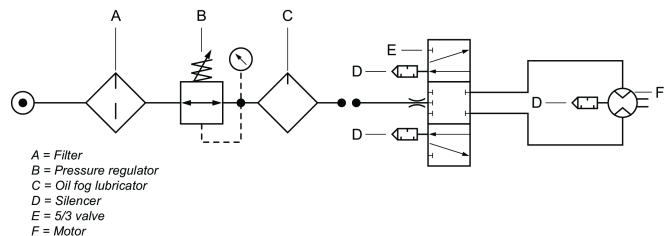
- ▶ Do not smoke when servicing this product
- ▶ PTFE-particles must not come in contact with open fire, glow or heat
- ▶ Motor components must be washed with cleaning fluid and not blown clear with an air line
- ▶ Wash your hands before starting any other activity

IP Rating

The IP Rating of the air motors is set under pressurized condition and excludes the outlet or attached silencer. If the motor will operate submerged or in heavy water jets, it's recommended to lead the outlet away from water with a hose. When submerged, always keep the motor pressurized with a higher pressure than the corresponding depth.

Installation Diagram

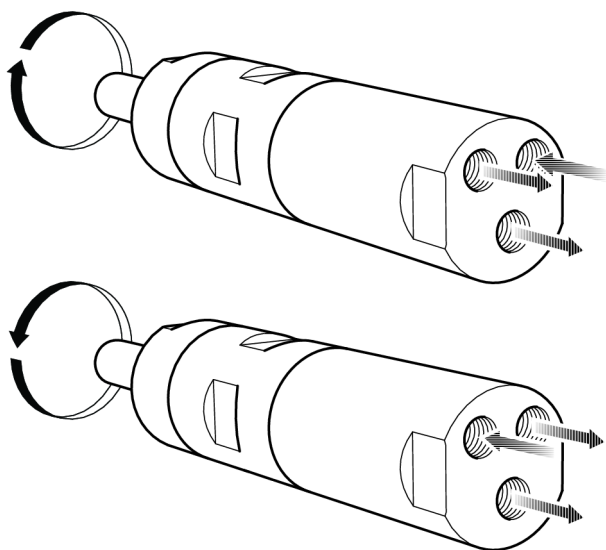
Reversible motor



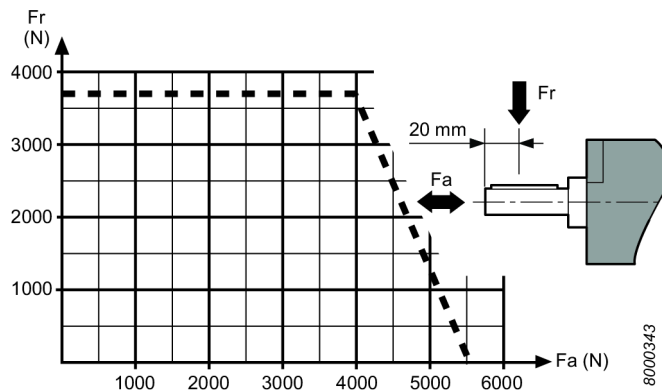
Connecting the Air Supply

When the compressed air supply is connected to the inlet, the direction of rotation will be as shown in the figure below. If the exhaust air is to be piped away, a hose should be connected to the exhaust outlet.

The compressed air supply should be connected to the corresponding inlet for desired rotation direction, see figure below. The inlet that is not in use, functions as an additional outlet and must not be plugged.



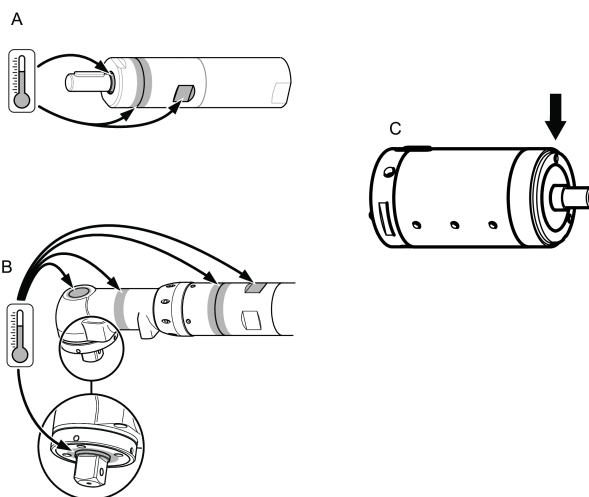
Shaft Load Diagram



Hot Spots

The following hot spots on the motor can reach high temperatures during operation. The image shows hot spots for specific models:

- Seal ring at the output shaft (A, B, C)
- Joint between front part and gear ring (A, B)
- Key grip (A, B)



The highest temperatures occur when the motor is running at full pressure without load. With increasing torque, the air motor reduces the rotational speed and the temperature.

Warning

Make sure you are familiar with the operating instructions before you use this motor.

This motor, its attachments and accessories must only be used for the purpose for which they were designed.

For product liability and safety reasons any modification to the motor or its accessories, which may have an influence on the product liability, must be agreed upon by the technical authority of the manufacturer.

To prevent personal injury and long term risks:

- If the motor is ATEX-certified, filter/silencers must be installed at the motor outlet ports.

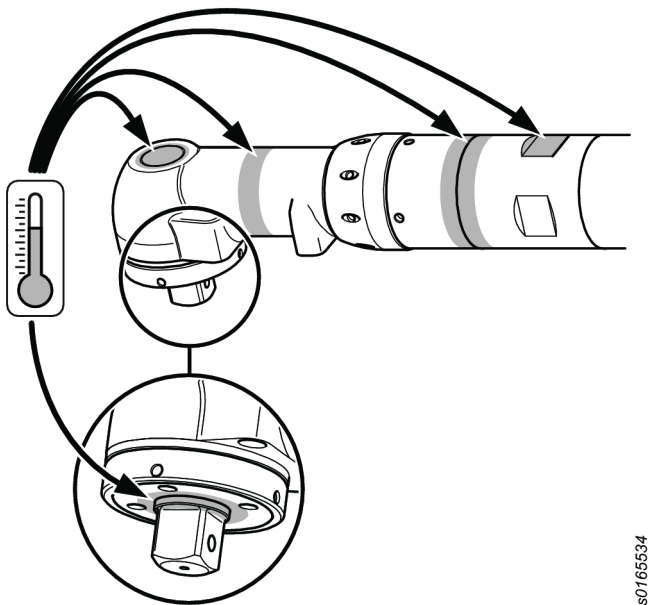
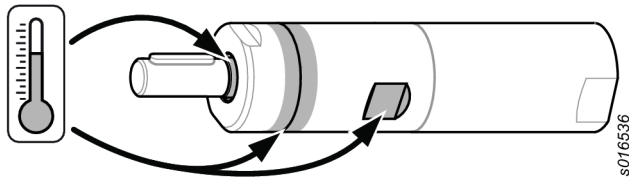
Silencers are recommended also for other applications to reduce noise exposure.

- Disconnect the motor from the air line before any adjustment operation.
- **Mind your hands, hair and clothing – always keep well away from rotating parts.**

Maintenance

- Maintenance and repairs of this ATEX product must be carried out exclusively by authorised personnel, after which a no-load test and temperature measurements of hotspots (as seen in the figure) must be carried out and recorded in a report.

After a 5 min no-load test the surface temperature must not exceed the sum of 45°C + surrounding temperature, where the surrounding temperature can vary between 0 – 40°C.



General Safety Instructions

Air supply and connection hazards

- Air under pressure can cause severe injury.
- Always shut off air supply, drain hose of air pressure and disconnect tool from air supply when not in use, before changing accessories or when making repairs.
- Never direct air at yourself or anyone else.
- Whipping hoses can cause severe injury. Always check for damaged or loose hoses and fittings.
- Do not exceed maximum air pressure of 6.3 bar / 90 psig, or as stated on tool nameplate.

Entanglement hazards

- Keep away from rotating drive. Choking, scalping and / or lacerations can occur if loose clothing, gloves, jewellery, neck ware and hair are not kept away from tool and accessories.

Projectile hazards

- Always wear impact-resistant eye and face protection when involved with or near the operation, repair or maintenance of the tool or changing accessories on the tool.
- Be sure all others in the area are wearing impact-resistant eye and face protection. Even small projectiles can injure eyes and cause blindness.
- Ensure the workpiece is securely fixed.

Operating hazards

- Clamp the tool securely.
- Ensure the tool is at a complete stop before removing work.
- Always fit start, stop and emergency stop controls to the machine into which the motor/torque motor is incorporated.

Noise hazards

- High sound levels can cause permanent hearing loss and other problems such as tinnitus. Use hearing protection as recommended by your employer or occupational health and safety regulations.
- To prevent unnecessary increases in noise levels operate and maintain the tool, and select, maintain and replace the accessories and consumables, in accordance with this instruction manual.

Workplace hazards

- Slip/Trip/Fall is a major cause of serious injury or death. Be aware of excess hose left on the walking or work surface.
- Avoid inhaling dust or fumes or handling debris from the work process which can cause ill health (for example, cancer, birth defects, asthma and/or dermatitis). Use dust extraction and wear respiratory protective equipment when working with materials which produce airborne particles.
- Some dust created by power sanding, sawing, grinding, drilling and other construction activities contains chemicals known to the State of California to cause cancer and birth defects or other reproductive harm. Some examples of these chemicals are:
 - Lead from lead based paints
 - Crystalline silica bricks and cement and other masonry products
 - Arsenic and chromium from chemically-treated rubber

Your risk from these exposures varies, depending on how often you do this type of work. To reduce your exposure to these chemicals: work in a well ventilated area, and work with approved safety equipment, such as dust masks that are specially designed to filter out microscopic particles.

- Proceed with care in unfamiliar surroundings. Be aware of potential hazards created by your work activity. This tool is not insulated from coming into contact with electric power sources.

Signs and Stickers

The product is fitted with signs and stickers containing important information about personal safety and product maintenance. The signs and stickers shall always be easy to read. New signs and stickers can be ordered by using the spare parts list.



s011050

ATEX Certification Information

ATEX Code Definition

The ATEX code is:



Ex II 2 G Ex h IIC T6 Gb

Ex II 2 D Ex h IIIC T85°C Db

$^{\circ}\text{C} \leq \text{Ta} \leq 40^{\circ}\text{C}$

Description	Value	Definition
Equipment group	II	Surface Industry
Equipment category	2	High level of protection
Group II		<ul style="list-style-type: none"> zone 1 (gas) zone 2 (gas) zone 21 (dust) zone 22 (dust)
Atmosphere	G	Atmosphere containing Gas, Vapors or Mist
	D	Atmosphere containing Dust
Safety design	h	Mechanical product
Gas group	IIC	Hydrogene/ Acetylene
	IIB	Ethylene
Dust group	IIIC	Surface combustible dust
Max surface temperature in Gas atmosphere		T1 = 450°C T2 = 300°C T3 = 200°C T4 = 135°C T5 = 100°C T6 = 85°C

Description	Value	Definition
Max surface temperature in Dust atmosphere		Example temperatures: T85°C T110°C T120°C T125°C T240°C
Special restriction,	X	for example ambient temperature range.

Temperatures

- The maximum surrounding temperature for which the certification is valid is 40°C.
- 40°C is also the maximum allowed temperature of the compressed air when it enters the product.
- If the product is installed in an equipment, the entire equipment has to correspond to the guidelines 2014/34/EU.
- Make sure that the compressed air fulfil our quality demands (quality classes 2.4.3. and 3.4.4 respectively 3.5.4 acc. to ISO/DIS 8573-1:2010).
- Do not exceed maximum pressure of 6.3 bar, or as stated on the product nameplate. Exceeding the operating pressure can increase the surface temperature due to higher rotating speed and the product can become an ignition source.

Ex Classification

If the product is part of an assembly where the components have different Ex classification, the component with the lowest level of safety defines the Ex classification of the complete assembly.

Explosion Prevention Guidelines

Cleanliness

- Make sure the product is kept clean from dust and dirt to prevent increased bearing and surface temperature.
- If using a silencer: Make sure a silencer with a filtering effect at the air outlet is installed to prevent any friction-heated particles entering into the surrounding atmosphere.

Usage

- Make sure the product is earthed to the equipotential bonding system of the workshop, for example through accessories such as hoses and air-pressure connections.
- It is the responsibility of the user to make sure that the product and all possible accessories, such as wrenches and air connections, conform to the national safety regulations for equipment used in potentially explosive areas.

Useful Information

Website

Information concerning our Products, Accessories, Spare Parts and Published Matters can be found on the Atlas Copco website.

Please visit: www.atlascopco.com.

ServAid

ServAid is a portal that is continuously updated and contains Technical Information, such as:

- Regulatory and Safety Information
- Technical Data
- Installation, Operation and Service Instructions
- Spare Parts Lists
- Accessories
- Dimensional Drawings

Please visit: <https://servaid.atlascopco.com>.

For further Technical Information, please contact your local Atlas Copco representative.

Caractéristiques techniques

Caractéristiques techniques

Référence	8411046413
Modèle	LZB46-L-AR0004-11
Consommation d'air à la puissance maxi.	14 l/s
Consommation d'air à la puissance maxi.	29.7 cfm
Couple de freinage	Nm
Couple de freinage	ft lb
Frein intégré	No
Matériau des pièces externes	Hardened steel/Aluminium
Vitesse à vide	35 tr/min
Puissance maxi.	0.59 kW
Puissance maxi.	0.79 hp
Couple de démarrage mini.	388 Nm
Couple de démarrage mini.	286 ft lb
Rapport	
Rapport d'engrenage	
Sens de rotation	Reversible
Code de chargement de l'arbre h	
Type d'arbre	Keyed
Vitesse à la puissance maxi.	20 tr/min
Couple de calage	574 Nm
Couple de calage	423 ft lb
Couple à la puissance maxi.	287 Nm
Couple à la puissance maxi.	212 ft lb
Type de palettes	Lubrication free
Poids	4.9 kg

Poids	10.8 livre
Flexible d'alimentation	10 mm
Flexible d'alimentation	0.4 pouces
Indice de protection	IP66
Flexible de sortie	16 mm
Flexible de sortie	0.6 pouces

Indice IP

L'indice IP des moteurs pneumatiques se réfère au carter mécanique conformément à la norme IEC 60529. L'indice IP ne couvre pas la résistance à la corrosion ou à d'autres liquides autres que de l'eau douce potable.

Déclarations

DÉCLARATION D'INCORPORATION UE

Nous, Atlas Copco Industrial Technique AB, SE-105 23 STOCKHOLM SWEDEN, déclarons sous notre seule et entière responsabilité que ce produit (dont le nom, le type et le numéro de série figurent en première page) répond aux exigences essentielles suivantes de la directive relative aux machines 2006/42/CE :

2006/42/EC (Annex I, clauses 1.1, 1.2 (excluding 1.2.4.3), 1.3, 1.4, 1.5, 1.6, 1.7)

Et que cette quasi-machine est conforme aux dispositions de ou des autres directives européennes suivantes : 2014/34/EU (ATEX)

Cette quasi-machine ne doit pas être mise en service tant que la machine définitive dans laquelle elle doit être incorporée n'a pas été déclarée conforme aux dispositions de la directive relative aux machines 2006/42/CE, le cas échéant.

Les normes harmonisées européennes suivantes (chapitres/ clauses de) ont été appliquées :

EN 1127-1:2019, EN ISO 12100:2010, EN ISO 80079-36:2016, EN ISO 80079-37:2016

La documentation technique correspondante a été rédigée et a été communiquée en accord avec la directive Machines 2006/42/EC partie B de l'annexe VII, et avec la directive ATEX 2014/34/UE, Article 13 (1) b) ii, à l'organisme notifié ExVeritas ApS (N° européen d'identification 2804) au Danemark. Pour obtenir le fichier technique pour la directive ATEX 2014/34/UE les autorités peuvent s'adresser à : <https://www.exveritas.com/2022/02/02/what-you-need-for-atex-and-ukca-explosive-atmosphere-certification-for-the-uk-and-eu-markets/>

Stockholm, 1 September 2023

Håkan Andersson, Managing Director

Signature du déclarant



Informations concernant l'article 33 de REACH

Le règlement européen (UE) n° 1907/2006 sur l'enregistrement, l'évaluation et l'autorisation des substances chimiques, ainsi que les restrictions applicables à ces substances (REACH) définit entre autres les exigences relatives à la communication dans la chaîne d'approvisionnement. L'obligation d'information s'applique également aux produits contenant des substances dites extrêmement préoccupantes (la « Liste des substances candidates »). Le 27 juin 2018, le plomb (n° CAS 7439-92-1) a été ajouté à la Liste des substances candidates.

Conformément à ce qui précède, ceci est pour vous informer que certains composants mécaniques du produit peuvent contenir du plomb. Ceci est conforme à la législation en vigueur en matière de restriction des substances et se fonde sur les exemptions légales prévues par la directive RoHS (2011/65/UE). Le plomb ne fuira pas ou ne mutera pas du produit lors d'une utilisation normale et la concentration de plomb dans le produit complet est bien en dessous du seuil limite applicable. Veuillez tenir compte des exigences locales concernant l'élimination du plomb en fin de vie du produit.

Spécificités régionales

⚠ AVERTISSEMENT

Ce produit peut vous exposer à des produits chimiques comme le plomb qui est reconnu par l'État de Californie comme cancérigène et causant des malformations congénitales ou autres anomalies de la reproduction. Pour de plus amples informations

<https://www.p65warnings.ca.gov/>

Sécurité

NE PAS JETER - REMETTRE À L'UTILISATEUR

⚠ AVERTISSEMENT Lire l'ensemble des mises en garde et consignes de sécurité ainsi que les illustrations et les caractéristiques techniques fournies avec ce produit.

Le non-respect de toutes les instructions répertoriées ci-dessous peut entraîner un choc électrique, un incendie, des dégâts matériels ou un grave accident corporel.

Conserver l'ensemble des mises en garde et consignes pour pouvoir les consulter ultérieurement.

⚠ AVERTISSEMENT Toutes les réglementations locales de sécurité en matière d'installation, d'utilisation et de réparation doivent toujours être respectées.

Utilisation prévue

- Pour utilisation professionnelle uniquement.
- Ce produit et ses accessoires ne doivent être modifiés en aucune manière.
- Ne pas utiliser ce produit s'il a subi des dégâts.
- Si les vignettes apposées sur le produit pour indiquer les données du produit ou des mises en garde ne sont plus lisibles ou se décollent, les remplacer sans attendre.

- Le produit ne doit être installé que par un personnel qualifié, dans un environnement industriel.

Utilisation prévue

Ce moteur est conçu pour être incorporé dans une machine fixe ou mobile. Il est destiné à être utilisé soit en rotation à droite uniquement, soit en rotation à gauche uniquement, soit en rotation réversible, et ne doit être fixé que par la bride ou le nez fileté, selon les besoins. Aucune autre utilisation n'est autorisée.

Le risque que des moteurs constituent une source d'inflammation d'une atmosphère potentiellement explosible est extrêmement faible. Il appartient à l'utilisateur d'évaluer les risques associés à la machine entière dans laquelle le moteur doit être incorporé.

Instructions spécifiques au produit

Attention

⚠ AVERTISSEMENT Risque lié aux polymères

Les aubes de ce produit contiennent du PTFE (un fluoropolymère synthétique). L'usure peut entraîner la présence de particules de PTFE à l'intérieur du produit. Le PTFE chauffé peut produire de la fumée qui peut provoquer à son tour la fièvre des polymères dont les symptômes sont ceux de la grippe, et particulièrement lorsque le sujet fume du tabac contaminé.

Les recommandations de santé et sécurité concernant le PTFE doivent être suivies lorsque les vannes et d'autres composants sont manipulés :

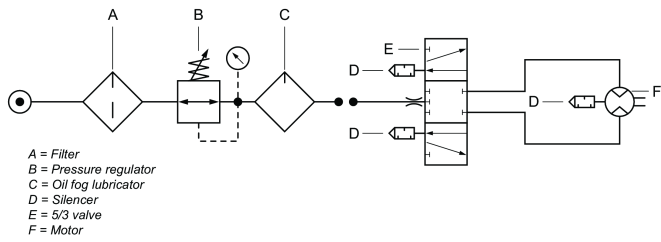
- ▶ Ne pas fumer en procédant à l'entretien de ce produit.
- ▶ Les particules de PTFE ne doivent pas entrer en contact avec des flammes, un objet incandescent ou une source de chaleur.
- ▶ Les composants du moteur doivent être nettoyés avec un liquide de nettoyage et non pas avec une soufflette.
- ▶ Se laver les mains avant de commencer toute autre activité.

Indice IP

L'indice IP des moteurs pneumatiques est défini sous pression et exclut la sortie ou le silencieux fixé. Si le moteur fonctionne sous l'eau ou dans des jets d'eau puissants, il est recommandé de diriger la sortie hors de l'eau à l'aide d'un tuyau. Lorsqu'il est immergé, toujours maintenir le moteur sous pression à une pression supérieure à celle de la profondeur correspondante.

Schéma d'installation

Moteur réversible



Raccordement de l'alimentation en air

Lorsque l'alimentation en air comprimé est raccordée à l'entrée, le sens de rotation est celui indiqué sur la figure ci-dessous. Si l'échappement d'air doit être évacué au moyen d'une tuyauterie, il convient de raccorder un flexible à la sortie d'échappement.

L'alimentation en air comprimé doit être raccordée à l'entrée correspondant au sens de rotation voulu, voir la figure ci-dessous. L'entrée qui n'est pas utilisée fonctionne comme une sortie supplémentaire et ne doit pas être obturée.

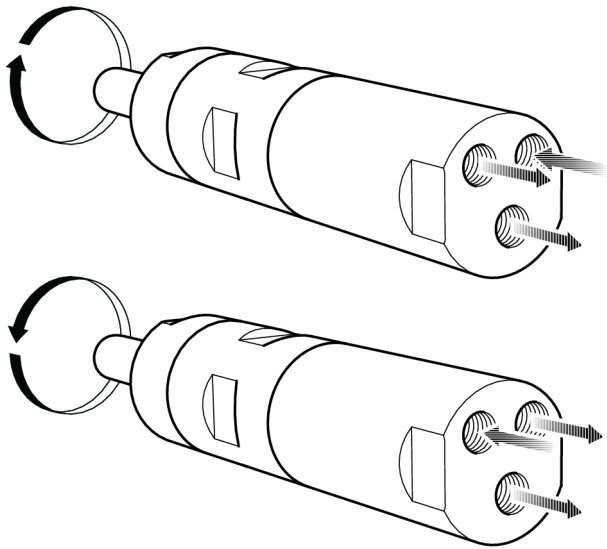
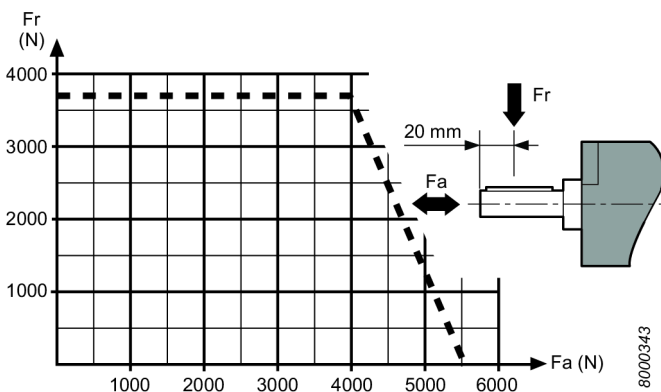


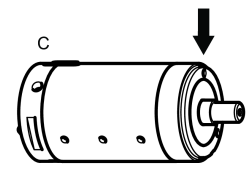
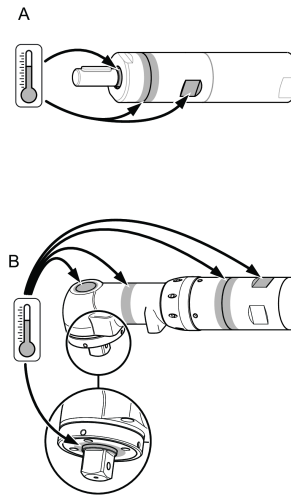
Schéma de charge de l'arbre



Points chauds

Les points chauds suivants sur le moteur peuvent atteindre des températures élevées en fonctionnement. L'image indique les points chauds pour les modèles spécifiques :

- Bague d'étanchéité au niveau de l'arbre de sortie (A, B, C)
- Jonction entre partie frontale et couronne (A, B)
- Poignée de commande (A, B)



Les températures les plus élevées surviennent lorsque le moteur fonctionne à pleine pression à vide. Dès que le couple augmente, la vitesse de rotation du moteur pneumatique diminue, de même que la température.

Attention

Prendre soin d'étudier attentivement ces instructions avant de mettre la moteur en service.

Cet moteur et ses accessoires sont strictement réservés aux utilisations prévues par son fabricant.

Pour des raisons de sécurité, toute modification de la moteur ou de ses accessoires doit être soumise à l'accord du responsable technique du fabricant.

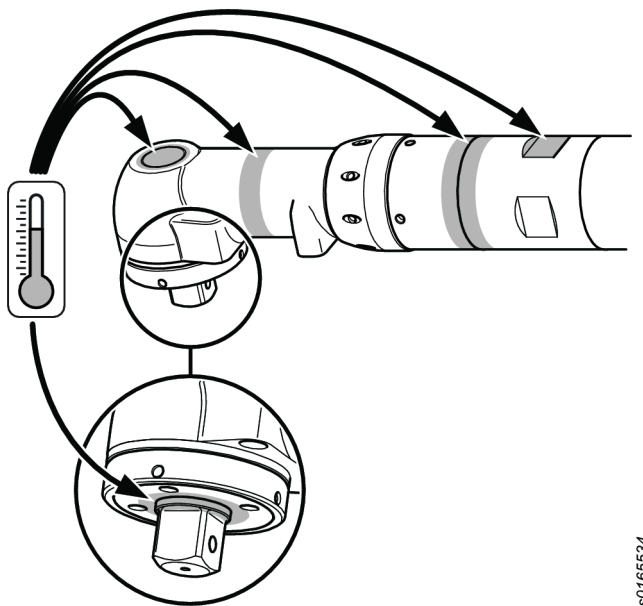
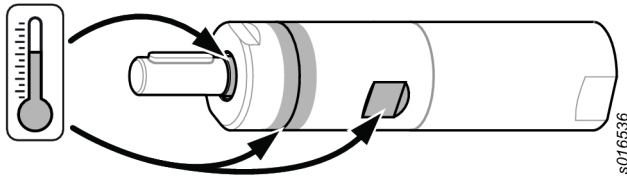
Pour éviter les blessures corporelles et écarter les risques à long terme :

- Si le moteur est certifié ATEX, un filtre/des silencieux doivent être installés sur les orifices d'échappement. Des silencieux sont recommandés également pour les autres applications afin de réduire l'exposition au bruit.
- Débrancher le moteur de la ligne d'air avant de procéder à un réglage quelconque.
- **Protégez mains, cheveux et vêtements – se tenir éloigné des ensembles en rotation.**

Entretien

- L'entretien et les réparations de ce produit ATEX doivent être effectués exclusivement par un personnel autorisé, après quoi il est impératif d'effectuer un essai à vide et des relevés de température sur les points chauds (indiqués sur la figure) dont les résultats seront consignés dans un procès-verbal.

Après un essai à vide de 5 min, la température de surface ne doit pas dépasser la somme de 45°C + température ambiante, où la température ambiante peut varier entre 0 – 40°C.



Consignes générales de sécurité

Dangers liés à l'alimentation en air et aux branchements

- L'air sous pression peut provoquer de graves blessures.
- Toujours arrêter l'alimentation en air, évacuer l'air sous pression contenu dans les flexibles et débrancher l'outil du circuit d'alimentation en air lorsqu'il n'est pas utilisé, avant de changer d'accessoire ou avant d'effectuer des réparations.
- Ne jamais diriger le jet d'air vers soi ou vers quelqu'un d'autre.
- Le fouettement des tuyaux souples peut provoquer de graves blessures. Toujours vérifier que les tuyaux souples et les raccords ne sont ni endommagés ni desserrés.
- Ne pas dépasser la pression d'air maximale de 6,3 bar / 90 psi relatifs ou la pression indiquée sur la plaque signalétique de l'outil.

Risques de happement

- Tenez-vous à l'écart de la broche en rotation. Il existe un risque d'étranglement, d'arrachement du cuir chevelu ou de lacerations si les vêtements amples, gants, bijoux, articles portés autour du cou et cheveux ne sont pas tenus à distance de l'outil et des accessoires.

Risques de projections

- Portez toujours une protection des yeux et du visage résistante aux chocs pour travailler avec l'outil ou à proximité, pour les réparations ou l'entretien de l'outil ou pour changer des accessoires.
- Veillez à ce que toutes les personnes se trouvant à proximité portent une protection des yeux et du visage résistante aux chocs. Même de petits projectiles peuvent abîmer les yeux et provoquer une cécité.

- S'assurer que la pièce à travailler est attachée solidement.

Risques pendant l'utilisation

- Serrer solidement l'outil.
- S'assurer que l'outil est à l'arrêt complet avant de retirer la pièce.
- Toujours monter les commandes de démarrage, d'arrêt et d'arrêt d'urgence sur la machine dans laquelle le moteur ou le moteur couple est incorporé.

Dangers liés au bruit

- Les niveaux sonores élevés peuvent provoquer une perte d'acuité auditive permanente ou d'autres problèmes tels que des acouphènes. Utiliser les protections auditives recommandées par l'employeur ou par la réglementation en matière d'hygiène et de sécurité au travail.
- Pour prévenir toute augmentation inutile du niveau sonore, exploiter et entretenir l'outil et procéder au choix, à l'entretien et au remplacement des accessoires et consommables conformément à la présente notice d'utilisation.

Dangers liés au lieu de travail

- Les glissades, trébuchements ou chutes sont une cause majeure d'accidents corporels graves voire mortels. Penser à la surlongueur de flexible restant dans le passage ou dans l'aire de travail.
- Éviter d'inhaler les poussières ou vapeurs ou de manipuler les débris provenant des travaux qui peuvent provoquer des maladies (par exemple cancer, problèmes respiratoires, asthme ou dermatite). Utiliser des équipements d'extraction des poussières et porter des équipements de protection respiratoire pour travailler avec des matériaux qui produisent des particules en suspension.
- Certaines poussières créées par ponçage mécanisé, sciage, meulage, perçage et autres travaux de construction contiennent des substances chimiques qui sont reconnues comme pouvant provoquer des cancers, des anomalies congénitales et autres problèmes de reproduction. Parmi ces substances chimiques, on trouve :
 - le plomb provenant des peintures au plomb ;
 - la silice cristalline présente dans les briques, le ciment et autres matériaux de maçonnerie ;
 - l'arsenic et le chrome provenant des caoutchoucs traités chimiquement.

Le risque lié à l'exposition à ces substances varie en fonction de la fréquence à laquelle on effectue ce type de travaux. Pour réduire l'exposition à ces substances chimiques : travailler dans des endroits correctement ventilés et avec des équipements de sécurité homologués tels que des masques antipoussières spécialement conçus pour filtrer les particules microscopiques.

- Procéder avec précautions dans un environnement non familier. Soyez toujours conscient des dangers potentiels créés par votre activité. Cet outil n'est pas isolé en cas de contact avec une source d'alimentation électrique.

Panneaux et autocollants

Des vignettes et autocollants contenant des informations importantes pour la sécurité des personnes et l'entretien du matériel sont apposés sur le produit. Les vignettes et autocollants doivent toujours être faciles à lire. On pourra commander de nouvelles vignettes et de nouveaux autocollants à l'aide de la nomenclature des pièces de rechange.



s011050

Informations relatives à la certification ATEX

Définition du code ATEX

Le code ATEX est :



Ex II 2 G Ex h IIC T6 Gb
 Ex II 2 D Ex h IIIC T85°C Db
 $^{\circ}\text{C} \leq \text{Ta} \leq 40^{\circ}\text{C}$

Description	Valeur	Définition
Groupe de matériels	II	Industries de surface
Catégorie de matériels	2	Haut niveau de protection
Groupe II		<ul style="list-style-type: none"> zone 1 (gaz) zone 2 (gaz) zone 21 (poussière) zone 22 (poussière)
Atmosphère	G	Atmosphère contenant des gaz, des vapeurs ou un brouillard
	D	Atmosphère contenant de la poussière
Concept de sécurité	h	Produit mécanique
Groupe de gaz	IIC	Hydrogène/acétylène
	IIB	Éthylène
Groupe de poussières	IIIC	Poussière combustible en surface
Température superficielle maxi. dans une atmosphère contenant des gaz		T1 = 450 °C T2 = 300°C T3 = 200°C T4 = 135 °C T5 = 100°C T6 = 85°C

Description	Valeur	Définition
Température superficielle maxi. dans une atmosphère contenant des poussières		Exemples de températures : T85 °C T110 °C T120 °C T125 °C T240 °C
Restriction spéciale, X comme par exemple la plage de température ambiante.		

Températures

- La température ambiante maximale pour laquelle la certification est valable est de 40 °C.
- 40°C est également la température maximale admise pour l'air comprimé lorsqu'il entre dans le produit.
- Si le produit est installé dans un équipement, l'ensemble de l'équipement doit se conformer à la directive 2014/34/UE.
- S'assurer que l'air comprimé satisfait à nos exigences de qualité (classes de qualité 2.4.3 et 3.4.4 ou 3.5.4 respectivement selon ISO/DIS 8573-1:2010).
- Ne pas dépasser la pression maximale de 6,3 bars ou la pression indiquée sur la plaque signalétique du produit. Tout dépassement de la pression d'exploitation peut accroître la température superficielle en raison de la vitesse de rotation plus élevée, et le produit peut alors devenir une source d'inflammation.

Classification Ex

Si le produit fait partie d'un ensemble dont les composants possèdent des classements Ex différents, le composant doté du niveau de sécurité le plus bas définit le classement Ex de l'ensemble.

Directives relatives à la prévention des explosions

Propreté

- Veiller à garder le produit exempt de poussière et de saletés pour prévenir une augmentation de la température des roulements et de la surface.
- En cas d'utilisation d'un silencieux : veiller à installer un silencieux avec effet filtrant à l'orifice d'échappement d'air afin d'éviter que des particules chauffées par friction pénètrent dans l'atmosphère ambiante.

Utilisation

- Par ailleurs, le produit doit être mis à la terre ou raccordé au circuit de liaison équipotentielle de l'atelier, par exemple par le biais d'accessoires tels que les flexibles et les raccords d'air comprimé.

- Il est de la responsabilité de l'utilisateur de s'assurer que le produit et tous les accessoires possibles que les clés et les raccords pneumatiques sont conformes à la réglementation nationale de sécurité concernant les matériels utilisés dans des atmosphères potentiellement explosibles.

Informations utiles

Site web

Des informations à propos de nos Produits, Accessoires, Pièces de rechange et Documentation sont disponibles sur le site Web de Atlas Copco.

Veuillez consulter : www.atlascopco.com.

ServAid

ServAid est un portail qui est constamment mis à jour et qui contient des Information techniques, comme :

- Informations réglementaires et sur la sécurité
- Caractéristiques techniques
- Instructions d'installation, d'utilisation et d'entretien
- Nomenclatures de pièces détachées
- Accessoires
- Plans cotés

Veuillez consulter : <https://servaid.atlascopco.com>.

Pour plus d'Informations techniques, veuillez contacter votre représentant local Atlas Copco.

Technische Daten

Technische Daten

Bestell-Nr.	8411046413
Modell	LZB46-L-AR0004-11
Luftbedarf bei Volllast	14 l/s
Luftbedarf bei Volllast	29.7 cfm
Bremsmoment	Nm
Bremsmoment	ft lb
Eingebaute Bremse	No
Material, Außenteile	Hardened steel/Aluminium
Leerlaufdrehzahl	35 U/min
Max. Leistung	0.59 kW
Max. Leistung	0.79 hp
Min. Startmoment	388 Nm
Min. Startmoment	286 ft lb
Verhältnis	
Getriebeübersetzung	
Drehrichtung	Reversible
Code für die Wellenbelastung	h
Wellenart	Keyed
Drehzahl bei max. Leistung	20 U/min
Stillstandsmoment	574 Nm
Stillstandsmoment	423 ft lb

Drehmoment bei max. Leistung	287 Nm
Drehmoment bei max. Leistung	212 ft lb
Schieberart	Lubrication free
Gewicht	4.9 kg
Gewicht	10.8 lb
Einlassschlauch	10 mm
Einlassschlauch	0.4 in
IP-Schutzart	IP66
Auslassschlauch	16 mm
Auslassschlauch	0.6 in

IP-Schutzart

Die IP-Schutzart der Druckluftmotoren gilt für das mechanische Gehäuse gemäß der Norm IEC 60529. Die IP-Schutzart deckt weder die Korrosionsbeständigkeit noch andere Flüssigkeiten außer sauberem Süßwasser ab.

Erklärungen

EU-EINBAUERKLÄRUNG

Wir, **Atlas Copco Industrial Technique AB**, SE-105 23 STOCKHOLM SWEDEN, erklären hiermit in alleiniger Verantwortung, dass dieses Produkt (mit Bezeichnung, Typ und Seriennummer laut Deckblatt) die folgenden wesentlichen Anforderungen der Maschinenrichtlinie 2006/42/EG erfüllt:

2006/42/EC (Annex I, clauses 1.1, 1.2 (excluding 1.2.4.3), 1.3, 1.4, 1.5, 1.6, 1.7)

Sowie, dass diese unvollständige Maschine den Bestimmungen der folgenden weiteren EU-Richtlinie(n) entspricht: 2014/34/EU (ATEX)

Die unvollständige Maschine darf erst dann in Betrieb genommen werden, nachdem gegebenenfalls bestätigt wurde, dass die Maschine, in die sie eingebaut werden soll, den Bestimmungen der Maschinenrichtlinie 2006/42/EG entspricht.

Es wurden die folgenden (Teile/Klauseln von) europäischen, harmonisierten Normen angewandt:

EN 1127-1:2019, EN ISO 12100:2010, EN ISO 80079-36:2016, EN ISO 80079-37:2016

Die entsprechende technische Dokumentation wurde zusammengestellt und übermittelt gemäß Maschinenrichtlinie 2006/42/EC Teil B von Anhang VII und ATEX-Richtlinie 2014/34/EU Artikel 13 (1) b) ii in der Benannten Stelle ExVeritas ApS (EU-Identifikationsnummer 2804) in Dänemark. Behörden können die technische Unterlage für die ATEX-Richtlinie 2014/34/EU in Papierform anfordern von: <https://www.exveritas.com/2022/02/02/what-you-need-for-atex-and-ukca-explosive-atmosphere-certification-for-the-uk-and-eu-markets/>

Stockholm, 1 September 2023

Håkan Andersson, Managing Director

Unterschrift des Ausstellers



Informationen zu Artikel 33 in REACH

Die Verordnung (EG) Nr. 1907/2006 des Europäischen Parlaments und des Rates zur Registrierung, Bewertung, Zulassung und Beschränkung chemischer Stoffe (REACH) definiert unter anderem Anforderungen an die Kommunikation innerhalb der Lieferkette. Die Informationspflicht gilt auch für Produkte, die sogenannte besonders besorgniserregende Stoffe enthalten (die „Kandidatenliste“). Am 27. Juni 2018 wurde Blei (CAS Nr. 7439-92-1) in die Kandidatenliste aufgenommen.

Gemäß den oben genannten Verordnungen und Hinweise informieren wir Sie hiermit darüber, dass bestimmte mechanische Komponenten des Produkts Blei enthalten können. Dies steht im Einklang mit den geltenden Rechtsvorschriften für Stoffbeschränkungen und basiert auf legalen Ausnahmen in der RoHS-Richtlinie (2011/65/EU). Bei normalem Gebrauch treten aus dem Produkt kein Blei oder Bleiderivate aus und die Bleikonzentration liegt weit unterhalb des geltenden Grenzwerts. Beachten Sie am Ende der Produktlebensdauer die vor Ort geltenden Bestimmungen zur Entsorgung von Blei.

Regionale Anforderungen

⚠️ WARNUNG

Dieses Produkt kann Sie Chemikalien, einschließlich Blei, aussetzen, was nach Kenntnis des Bundesstaats Kalifornien zu Krebserkrankungen und Geburtsfehlern oder sonstigen Schäden am Fortpflanzungssystem führen kann. Weitere Informationen finden Sie unter

<https://www.p65warnings.ca.gov/>

Sicherheit

NICHT WEGWERFEN - AN BENUTZER WEITERLEITEN

⚠️ WARNUNG Lesen Sie alle mit diesem Produkt gelieferten Sicherheitshinweise, Anweisungen, Abbildungen und Spezifikationen.

Eine Nichtbeachtung der Anweisungen kann zu Stromschlägen, Bränden, Sachschäden und/oder ernsthaften Verletzungen führen.

Bewahren Sie alle Warnhinweise und Anweisungen zur künftigen Verwendung auf.

⚠️ WARNUNG Alle örtlichen Vorschriften, die Installation, Bedienung und Wartung betreffen, müssen immer beachtet werden.

Nutzungserklärung

- Nur zum Gebrauch durch ausgebildete Fachkräfte.

- Dieses Produkt und sein Zubehör dürfen in keinem Fall modifiziert werden.
- Benutzen Sie dieses Produkt nicht, wenn es beschädigt ist.
- Wenn die Produktdatenschilder oder Gefahrenwarnschilder unleserlich werden oder sich ablösen, sind diese sofort zu ersetzen.
- Das Produkt darf nur von geschulten Fachkräften und nur in Industrieumgebungen installiert, bedient und gewartet werden.

Vorgesehener Verwendungszweck

Dieser Motor ist zur Integration in eine stationäre oder sich bewegende Maschine vorgesehen. Er ermöglicht entweder nur Rechtsdrehung, nur Linksdrehung oder eine umkehrbare Drehrichtung und darf je nach den gegebenen Umständen nur am Flansch oder am Gewindeansatz montiert werden. Sonstige Verwendungen sind unzulässig.

Das Risiko, dass Motoren in einer potenziell explosionsgefährdeten Umgebung eine Zündquelle darstellen, ist extrem klein. Der Benutzer ist dafür verantwortlich, die mit der gesamten Maschine, in die der Motor integriert wird, verbundenen Risiken zu bewerten.

Produktspezifische Anweisungen

Warnung

⚠️ WARNUNG Gefahren in Zusammenhang mit Polymeren

Die in diesem Produkt eingesetzten Schieber enthalten PTFE (ein synthetisches Fluorpolymer). Verschleißbedingt können sich PTFE-Partikel im Inneren des Produkts befinden. Erhitztes PTFE kann Dämpfe abgeben, die Polymerfieber mit grippeähnlichen Symptomen hervorrufen. Das Risiko ist insbesondere in Verbindung mit dem Rauch von kontaminiertem Tabak erhöht.

Beim Umgang mit Schiebern und anderen Bauteilen sind die Empfehlungen zu Gesundheitsschutz und Sicherheit im Zusammenhang mit PTFE einzuhalten:

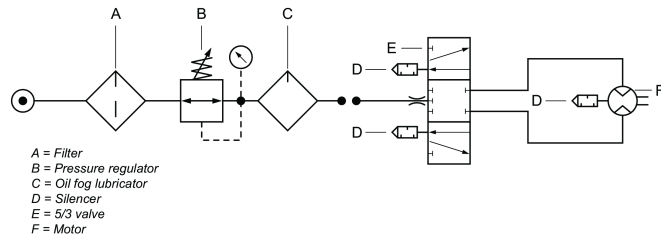
- ▶ Während der Vornahme von Servicearbeiten an diesem Produkt nicht rauchen
- ▶ PTFE-Partikel dürfen nicht mit offenem Feuer, Glut oder Hitze in Kontakt geraten
- ▶ Die Motorbauteile dürfen nicht mit Druckluft sauber geblasen werden, sondern sind mit Reinigungsflüssigkeit zu reinigen
- ▶ Vor anderen Tätigkeiten die Hände waschen.

IP-Schutzart

Die IP-Schutzart des Motors wurde unter Druckbedingungen festgelegt und gilt nicht für den Auslass oder den angeschlossenen Schalldämpfer. Wenn der Motor unter Wasser oder in starker Wasserströmung betrieben wird, sollte der Auslass mit einem Schlauch aus dem Wasser herausgeführt werden. Unter Wasser muss der Innendruck des Motors stets höher sein als der Wasserdruck in der entsprechenden Tiefe.

Aufstellungsplan

Umschaltbarer Motor



Anschluss der Luftversorgung

Wenn die Druckluftversorgung an den Einlass angeschlossen ist, entspricht die Drehrichtung der Abbildung unten. Wenn die Abluft weggeleitet werden soll, muss hierzu ein Schlauch an den Abluftauslass angeschlossen werden.

Die Druckluftzufuhr sollte am entsprechenden Einlass für die gewünschte Drehrichtung angeschlossen werden, siehe Abbildung unten. Der nicht genutzte Einlass dient als zusätzlicher Ausgang und darf nicht verstopft werden.

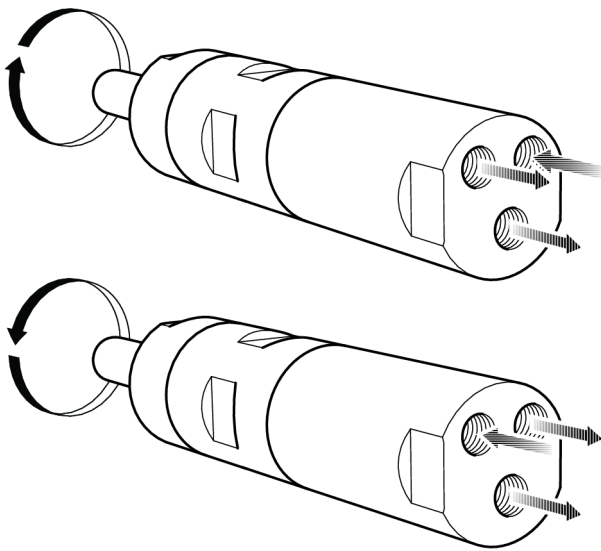
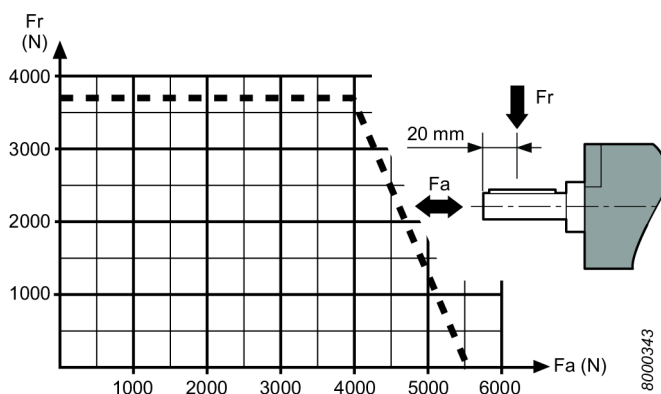


Diagramm – Wellenbelastung

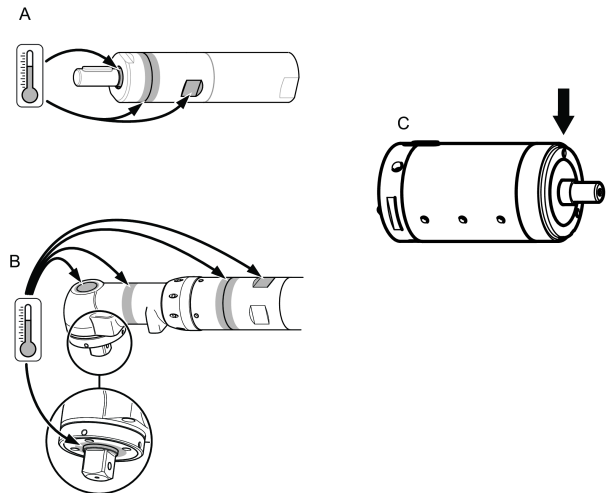


Heißpunkte

Während des Betriebs können folgende Heißpunkte am Motor hohe Temperaturen erreichen: Das Bild zeigt Heißpunkte für bestimmte Modelle:

- Dichtring an der Abtriebswelle (A, B, C)
- Gelenk zwischen vorderem Teil und Zahnkranz (A, B)

- Schlüsselgriff (A, B)



Die höchsten Temperaturen treten auf, wenn der Motor unbelastet bei vollem Druck läuft. Bei steigendem Drehmoment drosselt der Druckluftmotor die Drehgeschwindigkeit und damit die Temperatur.

Warnung

Diese Bedienungsanleitung vor der Inbetriebnahme des Motors gründlich durchlesen und beim Betrieb genau befolgen.

Motor und Zubehör dürfen nur für den vorgesehenen Zweck verwendet werden.

Aus Gründen der Produkthaftung und Betriebssicherheit müssen alle Änderungen an Motoren und/oder Zubehör vom dafür verantwortlichen Techniker des Herstellers genehmigt werden.

Zur Vermeidung von Verletzungen und langfristigen Schäden:

- Wenn der Motor ATEX-zertifiziert ist, müssen Filter/ Geräuschkämpfer an der Auslassöffnung des Motors installiert werden.

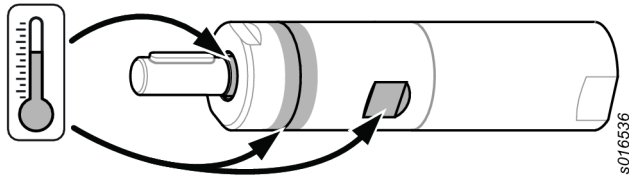
Zur Reduzierung der Lärmbelastung wird auch für andere Anwendungen die Verwendung eines Schalldämpfers empfohlen.

- Vor der Ausführung von Einstellarbeiten den Motor von der Druckluftleitung trennen!
- **Schützen Sie Ihre Hände, Haare und Kleidung vor dem Erfassen durch rotierende Teile.**

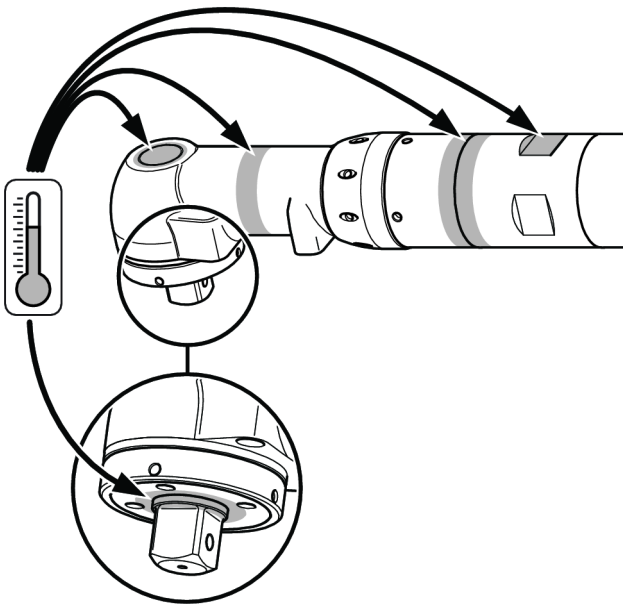
Wartung

- Wartungs- und Reparaturarbeiten an diesem ATEX-Produkt dürfen lediglich von entsprechend autorisiertem Personal ausgeführt werden. Anschließend müssen eine Leerlaufprüfung sowie Temperaturmessungen an den Heißpunkten (siehe Abbildung) vorgenommen und schriftlich aufgezeichnet werden.

Nach einer Leerlaufprüfung mit mindestens 5 Minuten Dauer darf die Oberflächentemperatur die Summe aus $45^{\circ}\text{C} + \text{Umgebungstemperatur}$ nicht überschreiten, wobei die Umgebungstemperatur zwischen $0 - 40^{\circ}\text{C}$ liegen kann.



s016536



s016534

Allgemeine Sicherheitshinweise

Gefahren im Zusammenhang mit Luftversorgung und -anschlüssen

- Druckluft kann schwere Verletzungen verursachen.
- Schließen Sie stets die Luftzufuhr, lassen Sie die Druckluft aus dem Schlauch entweichen und trennen Sie das Werkzeug von der Luftzufuhr, wenn das Werkzeug nicht in Gebrauch ist und bevor Sie Zubehör austauschen oder Reparaturen ausführen.
- Richten Sie die Druckluft nie auf sich oder andere.
- Lose, unter Druck stehende Schläuche können schwere Verletzungen verursachen. Überprüfen Sie das Werkzeug stets auf beschädigte oder lose Schläuche und Anschlussstücke.
- Beachten Sie die Höchstgrenze für den Luftdruck von 6,3 bar (90 psig) bzw. die auf dem Typenschild des Werkzeugs angegebene Höchstgrenze.

Gefahren durch Verfangen

- Halten Sie sich vom Drehantrieb fern. Halten Sie weite Kleidung, Handschuhe, Schmuck, Krawatten, Halstücher und Haare vom Werkzeug und Zubehör fern. Eine Verwicklung kann zur Strangulierung, Skalpierung und/oder zu Schnittwunden führen.

Gefahren im Zusammenhang mit katapultierten Bauteilen

- Tragen Sie stets schlagfeste Schutzbrillen und Gesichtsschutz, wenn Sie mit dem Werkzeug arbeiten, es warten oder reparieren, Zubehör austauschen oder sich in der Nähe der Arbeiten am oder mit dem Werkzeug aufhalten.

- Achten Sie darauf, dass andere, die sich in der Nähe des Werkzeugs aufhalten, schlagfeste Schutzbrillen und Gesichtsschutz tragen. Auch kleine Absplatterungen können Augenverletzungen und Erblindung hervorrufen.
- Stellen Sie sicher, dass das Werkstück sicher fixiert ist.

Gefahren während des Betriebs

- Spannen Sie das Werkzeug sicher ein.
- Stellen Sie vor Entnahme des Werkstücks sicher, dass das Werkzeug zum vollständigen Stillstand gekommen ist.
- Installieren Sie an der Maschine, in die der Motor/Regelmotor eingebaut wird, stets Bedienelemente für Start und Stopp sowie Not-Aus-Stellteile.

Gefahren im Zusammenhang mit Lärm

- Hohe Geräuschpegel können zu dauerhaftem Gehörverlust und anderen Problemen wie Ohrensausen führen. Verwenden Sie Gehörschutz, wie von Ihrem Arbeitgeber oder von den Arbeitsschutzvorschriften empfohlen.
- Nehmen Sie Betrieb und Wartung des Werkzeugs sowie Auswahl, Wartung und Ersatz der Zubehörteile und Verbrauchsmaterialien gemäß dieser Bedienungsanleitung vor, um unnötige Anstiege des Lärmpegels zu vermeiden.

Gefahren am Arbeitsplatz

- Ausrutschen, Stolpern und Stürze gehören zu den häufigsten Verletzungs- oder Todesursachen. Stellen Sie sicher, dass weder auf dem Boden noch auf der Arbeitsfläche Schläuche herumliegen, die nicht gebraucht werden.
- Vermeiden Sie das Einatmen von Staub, Rauch oder Schmutz vom Arbeitsprozess, die Krankheiten verursachen können (z. B. Krebs, Geburtsfehler, Asthma und/oder Dermatitis). Verwenden bei der Arbeit mit Materialien, die Schwebstaub erzeugen, eine Staubabsauganlage und Atemschutz.
- Bestimmte Stäube, die beim Schmirgeln, Sägen, Schleifen, Bohren und bei anderen Herstellungs- und Bautätigkeiten entstehen, enthalten Chemikalien, die nach dem Informationsstand des US-Bundesstaates Kalifornien Krebs sowie embryonale Missbildungen oder sonstige Störungen der Fortpflanzungsorgane hervorrufen. Unter anderem sind folgende Chemikalien schädlich:
 - Blei aus bleihaltigen Farben und Lacken
 - Kristalliner Silikastein, Zement und sonstige Baustoffe
 - Arsen und Chrom aus chemisch behandeltem Gummi.

Das Ausmaß Ihrer Gefährdung hängt u. a. von der Häufigkeit ab, mit der Sie diesen Stoffen ausgesetzt sind. So schützen Sie sich bestmöglich gegen solche Chemikalien: Achten Sie auf eine ausreichende Belüftung des Arbeitsbereichs und arbeiten Sie mit der angebrachten Sicherheitsausrüstung wie Staubschutzmasken mit speziellen Mikropartikelfiltern.

- Arbeiten Sie in unbekanntem Umgebungen besonders vorsichtig. Machen Sie sich stets die potenziellen Gefahren bewusst, die von Ihrer Arbeit ausgehen. Dieses Werkzeug ist nicht gegen einen Kontakt mit Stromquellen isoliert.

Schilder und Aufkleber

Am Produkt befinden sich Schilder und Aufkleber, die wichtige Angaben zur Personensicherheit und Produktwartung enthalten. Die Schilder und Aufkleber müssen immer gut leserlich sein. Neue Schilder und Aufkleber können mithilfe der Ersatzteilliste bestellt werden.



s011050

Angaben zur ATEX-Zertifizierung

ATEX-Codedefinition

Der ATEX-Code ist:



Ex II 2 G Ex h IIC T6 Gb

Ex II 2 D Ex h IIIC T85°C Db

$^{\circ}\text{C} \leq \text{Ta} \leq 40^{\circ}\text{C}$

Beschreibung	Wert	Definition
Gerätegruppe	II	Nicht Bergbau
Geräteklasse	2	Hohes Schutzniveau
Gruppe II		<ul style="list-style-type: none"> Zone 1 (Gas) Zone 2 (Gas) Zone 21 (Staub) Zone 22 (Staub)
Umgebung	G	Umgebung, in der Gas, Dämpfe oder Nebel vorhanden sind
	D	Umgebung, in der Staub vorhanden ist
Sicherheitsdesign	h	Mechanisches Produkt
Gasgruppe	IIC	Wasserstoff / Acetylen
	IIB	Ethylen
Staubgruppe:	IIIC	Oberflächlicher brennbarer Staub
Max. Oberflächentemperatur in einer Umgebung, in der Gas vorhanden ist		T1 = 450 °C T2 = 300 °C T3 = 200 °C T4 = 135 °C T5 = 100 °C T6 = 85 °C

Beschreibung	Wert	Definition
Max. Oberflächentemperatur in einer Umgebung, in der Staub vorhanden ist		Beispielttemperaturen: T85 °C T110 °C T120 °C T125 °C T240 °C
Besondere Einschränkung, beispielsweise Umgebungstemperaturbereich.	X	

Temperaturwerte

- Die höchstzulässige Umgebungstemperatur für diese Zertifizierung beträgt 40°C.
- 40°C stellt gleichzeitig auch die höchstzulässige Temperatur für die Druckluft beim Eintritt in das Produkt dar.
- Wenn das Produkt als Ausstattungskomponente montiert ist, muss die gesamte Ausstattung den Anforderungen der Richtlinie 2014/34/EU entsprechen.
- Es ist sicherzustellen, dass die Druckluft unsere Qualitätsanforderungen erfüllt (Qualitätsklassen 2.4.3. und 3.4.4 bzw. 3.5.4 gemäß ISO/DIS 8573-1:2010).
- Den Maximaldruck von 6,3 bar bzw. den auf dem Typenschild des Produkts angegebenen Druck nicht überschreiten. Ein Überschreiten des Betriebsdrucks kann dazu führen, dass sich die Oberflächentemperatur aufgrund der höheren Rotationsgeschwindigkeit erhöht, und dass das Produkt zu einer Zündquelle werden kann.

Ex-Klassifizierung

Sollte das Produkt Bestandteil einer Baugruppe sein, bei der die einzelnen Komponenten eine unterschiedliche Ex-Klassifizierung umfassen, bestimmt die Komponente mit dem niedrigsten Sicherheitsniveau die für die gesamte Baugruppe geltende Ex-Klassifizierung.

Explosionsschutz-Richtlinien

Sauberkeit

- Sicherstellen, dass das Produkt sauber Staub und Schmutz gehalten wird, um eine erhöhte Lager- und Oberflächentemperatur zu verhindern.
- Bei Verwendung eines Schalldämpfers: Am Luftablass ist ein Auspufftopf mit Filterwirkung zu montieren, um das Eindringen von durch Reibung erhitzten Teilen in die Umgebungsatmosphäre zu verhindern.

Verwendung

- Sicherstellen, dass das Produkt an der Potenzialausgleichsanlage der Werkstatt geerdet ist, z. B. durch Zubehör wie Schläuche und Luftdruckanschlüsse.

- Der Benutzer muss sicherstellen, dass das Produkt und alle möglichen Zubehörteile, wie beispielsweise Schraubenschlüssel und Luftanschlüsse, den im jeweiligen Land geltenden Sicherheitsbestimmungen für Geräte, die in Bereichen mit potenzieller Explosionsgefahr verwendet werden, entsprechen.

Nützliche Informationen

Website

Informationen zu unseren Produkten, Zubehör, Ersatzteilen und Veröffentlichungen finden Sie auf der Internetseite von Atlas Copco.

Besuchen Sie: www.atlascopco.com.

ServAid

ServAid ist ein Portal, das ständig aktualisiert wird und technische Informationen bietet, wie z.B.:

- Behörden- und Sicherheitsinformationen
- Technische Daten
- Installations-, Betriebs- und Wartungsanweisungen
- Ersatzteillisten
- Zubehör
- Maßzeichnungen

Besuchen Sie: <https://servaid.atlascopco.com>.

Weitere technische Informationen erhalten Sie bei Ihrem Atlas Copco-Vertreter vor Ort.

Datos técnicos

Datos técnicos

Designación	8411046413
Modelo	LZB46-L-AR0004-11
Consumo de aire a máxima potencia	14 l/s
Consumo de aire a máxima potencia	29.7 cfm
Par de frenada	Nm
Par de frenada	ft lb
Freno incorporado	No
Material de las piezas externas	Hardened steel/Aluminium
Velocidad en vacío	35 rpm
Potencia máxima	0.59 kW
Potencia máxima	0.79 hp
Par mínimo de arranque	388 Nm
Par mínimo de arranque	286 ft lb
Relación	
Relación de engranaje	
Dirección de giro	Reversible
Código de carga del eje	h
Tipo de eje	Keyed

Velocidad a potencia máxima	20 rpm
Par máximo	574 Nm
Par máximo	423 ft lb
Par a potencia máxima	287 Nm
Par a potencia máxima	212 ft lb
Tipo de aletas	Lubrication free
Peso	4.9 kg
Peso	10.8 lb
Manguera de admisión	10 mm
Manguera de admisión	0.4 pulgadas
Clasificación de la protección de ingreso	IP66
Manguera de salida	16 mm
Manguera de salida	0.6 pulgadas

Grado de protección

El grado de protección de los motores neumáticos está relacionado con la caja mecánica de acuerdo con la norma IEC 60529. El grado de protección no cubre resistencia a la corrosión o cualquier líquido aparte de agua dulce y limpia.

Declaraciones

DECLARACIÓN DE INCORPORACIÓN DE LA UE

Nosotros, **Atlas Copco Industrial Technique AB**, SE-105 23 STOCKHOLM SWEDEN, declaramos bajo nuestra exclusiva responsabilidad que este producto (con nombre, tipo y número de serie, consultar portada) cumple los siguientes requisitos esenciales de la Directiva sobre Maquinaria 2006/42/CE:

2006/42/EC (Annex I, clauses 1.1, 1.2 (excluding 1.2.4.3), 1.3, 1.4, 1.5, 1.6, 1.7)

Y esta maquinaria completada parcialmente cumple las disposiciones del resto de las siguientes Directivas UE: 2014/34/EU (ATEX)

Esta maquinaria completada parcialmente no debe ponerse en servicio hasta que la maquinaria final, en la que debe incorporarse, haya sido declarada conforme a las disposiciones de la Directiva sobre Maquinaria 2006/42/CE, si procede.

Se han aplicado las siguientes partes/cláusulas de normas armonizadas europeas:

EN 1127-1:2019, EN ISO 12100:2010, EN ISO 80079-36:2016, EN ISO 80079-37:2016

La documentación técnica relevante se ha recopilado y enviado acuerdo con la parte B del Anexo VII de la Directiva de Máquinas 2006/42/CE y el Artículo 13 (1) b) II de la directiva 2014/34/UE en el Organismo de Notificación ExVeritas ApS (N.º identificación UE 2804) en Suecia. Las autoridades pueden solicitar el archivo técnico correspondiente a la Directiva ATEX 2014/34/UE en formato papel a:

<https://www.exveritas.com/2022/02/02/what-you-need-for-atex-and-ukca-explosive-atmosphere-certification-for-the-uk-and-eu-markets/>

Stockholm, 1 September 2023

Håkan Andersson, Managing Director

Firma del emisor



Información relacionada con el Artículo 33 en REACH

El Reglamento europeo (UE) n.º 1907/2006 relativo al registro, evaluación, autorización y restricción de las sustancias y preparados químicos (REACH) define, entre otras cosas, los requisitos relacionados con la comunicación en la cadena de suministro. El requisito de información también es aplicable a los productos que contengan las llamadas Sustancias muy preocupantes (la «Lista de candidatos»). El 27 de junio de 2018 se añadió el plomo (CAS n.º 7439-92-1) a la Lista de candidatos.

De acuerdo con lo mencionado anteriormente, el objetivo del presente documento es informarle de que determinados componentes mecánicos en el producto pueden contener plomo. El presente documento es de conformidad con la legislación sobre restricción de sustancias actual y se basa en las exenciones legítimas en la Directiva RoHS (2011/65/UE). No se producirán fugas de plomo ni mutará a partir del producto durante el uso normal y la concentración de plomo en el producto completo se encuentra bastante por debajo del límite umbral aceptable. Tenga en cuenta los requisitos locales sobre el desecho del plomo al final de la vida útil del producto.

Requisitos regionales

⚠️ ADVERTENCIA

Este producto le puede exponer al plomo, considerado por el Estado de California como causante de cáncer y de malformaciones congénitas u otros daños reproductivos. Para más información visite

<https://www.p65warnings.ca.gov/>

Seguridad

CONSERVAR - ENTREGAR AL USUARIO

⚠️ ADVERTENCIA Lea todas las advertencias, instrucciones, ilustraciones y especificaciones de seguridad suministradas con este producto.

Si no se siguen todas las instrucciones que se indican a continuación pueden producirse descargas eléctricas, incendios, daños en la propiedad y/o lesiones graves.

Guarde todas las advertencias e instrucciones para futuras consultas.

⚠️ ADVERTENCIA Respete siempre todas las normas de seguridad relativas a la instalación, funcionamiento y mantenimiento de acuerdo a la legislación local.

Declaración de uso

- Solo para uso profesional.
- No se debe modificar ningún aspecto de este producto ni de sus accesorios.
- No utilice este producto si está dañado.
- Si los datos del producto o las señales de advertencia de peligro en el producto dejan de ser legibles o se desprenden, sustitúyalas sin demora.
- Solo personal cualificado puede instalar, operar y realizar servicios en el producto en un entorno industrial.

Uso previsto

Este motor está diseñado para su incorporación en una máquina fija o móvil. Puede girar solo hacia la derecha, solo hacia la izquierda o en rotación reversible y debe montarse solo con brida o con espiga roscada, según corresponda. No se permite ningún otro uso.

El riesgo de que los motores sean la causa de la ignición de una atmósfera potencialmente explosiva es extremadamente bajo. El usuario es responsable de la evaluación de los riesgos asociados con la totalidad de la máquina en la que se va a incorporar el motor.

Instrucciones específicas para el producto

Advertencia

⚠️ ADVERTENCIA Riesgo por la presencia de polímeros

Las aletas de este producto contienen PTFE (un fluoropolímero sintético). Es posible que haya presencia de partículas de PTFE en el interior del producto debido al desgaste. Al calentar el PTFE se puede producir un humo que provoca la fiebre por vapores de polímeros, cuyos síntomas son similares a los de la gripe, especialmente si se fuma tabaco contaminado.

Al manipular las aletas y el resto de componentes deben seguirse las recomendaciones de seguridad y salud referentes a PTFE.

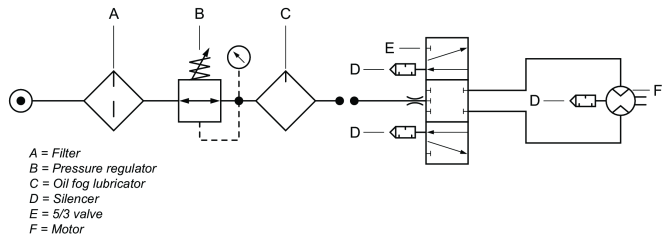
- ▶ No fume al realizar cualquier tipo de servicio en este producto.
- ▶ Las partículas de PTFE no deben entrar en contacto con fuego, partículas incandescentes ni fuentes de calor
- ▶ Los componentes del motor deben lavarse con un fluido de limpieza y no debe utilizarse ninguna línea de aire para secarlos
- ▶ Lávese las manos antes de comenzar a realizar cualquier otra actividad

Grado de protección

El grado de protección de los motores neumáticos se define bajo estado presurizado y excluye la salida o el silenciador acoplado. Si el motor funcionará sumergido o en chorros de agua intensos, se recomienda dirigir la salida lejos del agua con una manguera. Cuando esté sumergido, mantenga siempre el motor presurizado con una presión superior a la profundidad correspondiente.

Diagrama de instalación

Motor reversible



Conexión del suministro eléctrico

Cuando se conecta el suministro de aire comprimido a la entrada, la dirección de giro será la que se muestra en la figura inferior. Si debe conducirse el aire de escape al exterior, deberá conectar una manguera a la salida de escape.

El suministro de aire comprimido debe conectarse a la entrada que proporcione la dirección de giro deseada, ver figura inferior. La entrada que no se esté usando funciona como salida adicional y no se debe tapar.

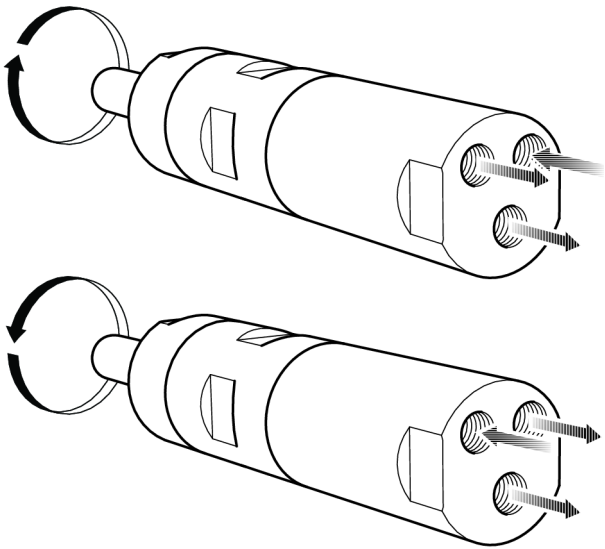
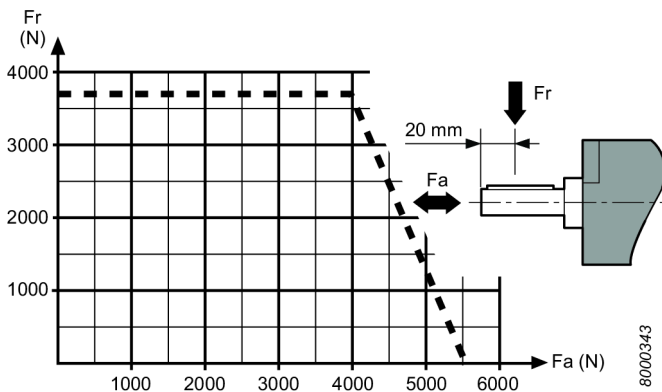


Diagrama de carga del eje

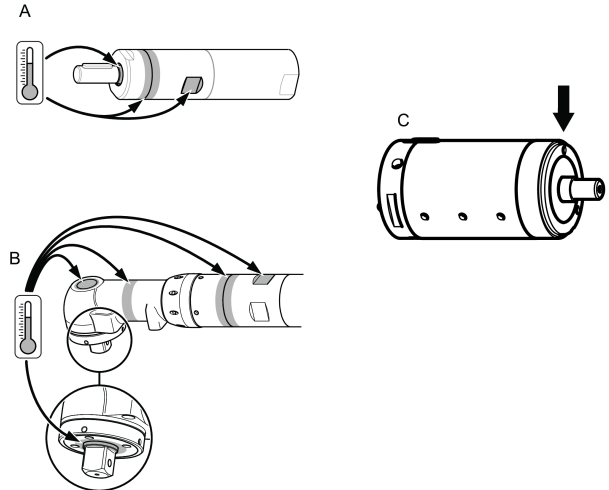


Puntos calientes

Los siguientes puntos calientes en el motor pueden alcanzar altas temperaturas durante su funcionamiento. La imagen muestra puntos calientes para modelos específicos:

- Anillo de obturación del eje de transmisión (A, B, C)
- Junta entre la pieza y la corona de dentada (A, B)

- Empuñadura de la llave (A, B)



Las temperaturas más altas se producen cuando el motor funciona a máxima presión sin carga. Al aumentar el par, el motor de aire reduce la velocidad de rotación y la temperatura.

Advertencia

Asegurarse de que el operador ha comprendido totalmente estas instrucciones antes de poner en marcha el motor.

El motor, junto con todos los adaptadores y accesorios, sólo deberá usarse para el objeto de diseño.

Por razones de responsabilidad y seguridad del producto, toda modificación del motor o de sus accesorios ha de ser acordada con el responsable técnico del fabricante.

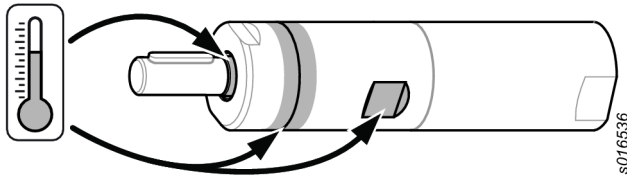
Para prevenir las lesiones y los riesgos a largo plazo:

- Si el motor cuenta con certificación ATEX, será necesario instalar un filtro/silenciadores en los puertos de salida del motor.
Los silenciadores se recomiendan también para reducir la exposición al ruido en otras aplicaciones.
- Desconecte el motor de la tubería de aire antes de realizar labores de ajuste.
- **Cuide que sus manos, cabello o ropa, estén fuera del alcance de las piezas en rotación.**

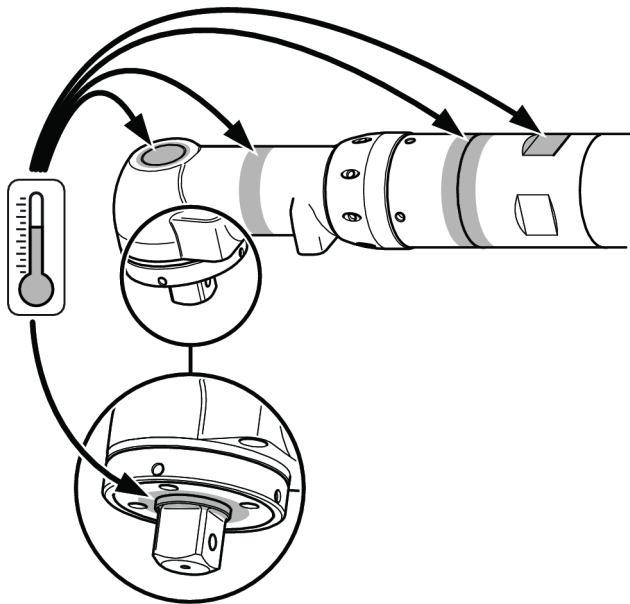
Mantenimiento

- Del mantenimiento y las reparaciones de este producto ATEX debe encargarse exclusivamente el personal autorizado. Después de dichas labores debe efectuarse una prueba sin carga y realizarse mediciones de temperatura en los puntos calientes (como indica la figura) y registrarse en un informe.

Después de una prueba de 5 minutos sin carga, la temperatura de la superficie no debe exceder la suma de 45°C + temperatura ambiente, en la que la temperatura ambiente puede variar entre 0 – 40°C.



s016536



s016534

Instrucciones generales de seguridad

Peligro en el suministro de aire y las conexiones

- El aire a presión puede causar lesiones graves.
- Siempre antes de realizar reparaciones o cambiar accesorios, apague el suministro de aire, vacíe la manguera de presión de aire y desconecte la herramienta del suministro de aire cuando no esté en uso.
- Nunca apunte la salida de aire hacia usted o hacia ninguna otra persona.
- Las mangueras de conexión pueden causar lesiones graves. Siempre debe comprobar las mangueras y los ajustes dañados o sueltos.
- La presión de aire no puede exceder un máximo de 6,3 bar / 90 psi o según se especifique en la placa de identificación de la herramienta.

Riesgos de atrapamiento

- Manténgase apartado del mecanismo de rotación. Pueden producirse estrangulamientos, pérdidas de cabello y/o laceraciones si no se mantienen la ropa, las joyas, los collantes y el pelo alejados de la herramienta y de los accesorios.

Riesgos de emisión de proyectiles

- Utilice siempre protección facial y ocular resistente a impactos cuando esté en contacto o próximo al funcionamiento, reparación o mantenimiento de la herramienta o al cambio de accesorios de la misma.
- Asegúrese de que las otras personas que se encuentran en el área de trabajo también utilizan protección facial y ocular resistente de impactos. Incluso los proyectiles de tamaño reducido pueden producir daños oculares y ceguera.

- Asegúrese de que la pieza de trabajo esté bien sujeta.

Riesgos derivados del uso

- Sujete firmemente la herramienta.
- Antes de sacar el trabajo, asegúrese de que la herramienta está totalmente detenida.
- Instale siempre controles de encendido, parada y parada de emergencia en la máquina en la que va a incorporar el motor/motor de par.

Riesgos provocados por los ruidos

- Los niveles sonoros elevados pueden provocar pérdida de oído permanente y otros problemas como el tinnitus. Utilice protección para los oídos siguiendo las recomendaciones de su empresa o de las normas de seguridad y salud ocupacional.
- Para evitar aumentos innecesarios de los niveles de ruido, utilice y mantenga la herramienta, y seleccione, mantenga y sustituya los accesorios y los consumibles, de acuerdo con este manual de instrucciones.

Riesgos en el lugar de trabajo

- Resbalones, tropiezos y caídas son las causas más frecuentes de lesiones graves o muerte. Preste atención a las mangueras que se encuentren en el suelo o en la superficie de trabajo.
- Evite la inhalación de polvo y humo y la manipulación de residuos producidos en el proceso de trabajo, ya que pueden provocar enfermedades (tales como cáncer, alteraciones en el feto, asma o dermatitis). Utilice un extractor de polvo y un equipo de protección respiratorio cuando vaya a trabajar con materiales que generen partículas que se desplazan por el aire.
- Las operaciones de lijar, aserruchar, esmerilar, taladrar y otras actividades de construcción producen polvo que podría contener productos químicos que se ha demostrado en el Estado de California que causan cáncer, defectos de nacimiento u otros daños reproductivos. Algunos ejemplos de estos productos químicos son los siguientes:
 - Plomo de las pinturas con base de plomo
 - Cemento y ladrillos de sílice cristalina y otros productos de mampostería
 - Arsénico y cromo provenientes de madera químicamente tratada.

El riesgo de exposición varía de acuerdo con la frecuencia que usted realice este tipo de trabajo. Para reducir su exposición a estos productos químicos: trabaje en una área bien ventilada y con equipo de seguridad apropiado, tal como máscaras contra el polvo especialmente diseñadas para filtrar las partículas microscópicas.

- Trabaje con cuidado en lugares desconocidos. Tenga en cuenta los peligros potenciales creados por su actividad de trabajo. Esta herramienta no está aislada para el contacto con fuentes de alimentación eléctrica.

Señales y etiquetas

El producto está equipado con signos y adhesivos que contienen información importante sobre seguridad personal y mantenimiento del producto. Los signos y los adhesivos

deben ser fácilmente legibles en todo momento. Pueden solicitarse signos y adhesivos nuevos utilizando la lista de repuestos.



s011050

Información sobre certificación ATEX

Definición del código ATEX

El código ATEX es:



Ex II 2 G Ex h IIC T6 Gb
 Ex II 2 D Ex h IIIC T85°C Db
 $^{\circ}\text{C} \leq T_a \leq 40^{\circ}\text{C}$

Descripción	Valor	Definición
Grupo de equipos	II	Instalaciones de superficie
Clasificación de los equipos	2	Nivel alto de protección
Grupo 2		<ul style="list-style-type: none"> zona 1 (gas) zona 2 (gas) zona 21 (polvo) zona 22 (polvo)
Atmósfera	G	La atmósfera contiene gas, vapores o neblina
	D	La atmósfera contiene polvo
Diseño de seguridad	h	Producto mecánico
Grupo de gas	IIC	Hidrógeno/ Acetileno
	IIB	Etileno
Grupo de polvos	IIIC	Polvo combustible de superficie
Temperatura máxima en superficie en atmósfera con gas		T1 = 450°C T2 = 300°C T3 = 200°C T4 = 135°C T5 = 100°C T6 = 85°C
Temperatura máxima en superficie en atmósfera con polvo		Temperaturas de ejemplo: T 85 °C T 110 °C T 120 °C T 125 °C T240°C

Descripción	Valor	Definición
Restricción especial, por ejemplo, intervalo de temperatura ambiente.	X	

Temperaturas

- La temperatura máxima del entorno para la que la certificación es válida es 40°C.
- 40°C también es la temperatura máxima permitida del aire comprimido al entrar en el producto.
- Si el producto está instalado en un equipo, el equipo completo debe cumplir las especificaciones de la Directiva 2014/34/UE.
- Asegúrese de que el aire comprimido cumple nuestros requisitos de calidad (clases de calidad 2.4.3, 3.4.4 y 3.5.4 según norma ISO/DIS 8573-1:2010).
- La presión no puede exceder un máximo de 6,3 bar o según se especifique en la placa de identificación del producto. De sobrepasarse esta presión de trabajo, la temperatura de la superficie podría aumentar debido al incremento de la velocidad de rotación y el producto podría convertirse en una fuente de ignición.

Clasificación Ex

Si el producto forma parte de un conjunto cuyos componentes tienen una clasificación Ex distinta, el componente con menor nivel de seguridad define la clasificación Ex de todo el conjunto.

Directrices para la prevención de explosiones

Limpieza

- Asegúrese de que el producto se mantiene limpio de polvo y suciedad para evitar el aumento de temperatura en los cojinetes y la superficie.
- Si utiliza un silenciador: Asegúrese de que se encuentra instalado un silenciador con efecto de filtrado en la salida de aire a fin de evitar la entrada de partículas calentadas por fricción en la atmósfera circundante.

Uso

- Asegúrese de que el producto esté conectado a masa con el sistema de conexión equipotencial del taller, por ejemplo, por medio de accesorios como mangueras y conexiones de alta presión.
- El usuario es responsable de que todos los accesorios posibles para el producto, como las llaves y las conexiones neumáticas, cumplen las normas de seguridad nacionales para equipos utilizados en áreas potencialmente explosivas.

Información de utilidad

Sítio de Internet

Puede encontrar información relacionada con nuestros productos, accesorios, piezas de repuesto y material impreso en el sitio web Atlas Copco.

Visite: www.atlascopco.com.

ServAid

ServAid es un portal que se actualiza continuamente y contiene información técnica, como:

- Información sobre regulaciones y seguridad
- Datos técnicos
- Instrucciones de instalación, operación y servicio
- Listas de repuestos
- Accesorios
- Planos de dimensiones

Visite: <https://servaid.atlascopco.com>.

Para obtener más información, póngase en contacto con su representante de Servicio local Atlas Copco.

Dados técnicos

Dados técnicos

Nº do pedido	8411046413
Modelo	LZB46-L-AR0004-11
Consumo de ar com saída máxima	14 l/s
Consumo de ar com saída máxima	29.7 cfm
Torque de freio	Nm
Torque de freio	ft lb
Freio embutido	No
Material das peças externas	Hardened steel/Aluminium
Velocidade livre	35 r/min
Saída máxima	0.59 kW
Saída máxima	0.79 hp
Torque inicial mínimo	388 Nm
Torque inicial mínimo	286 ft lb
Relação	
Relação da engrenagem	
Direção de rotação	Reversible
Código de carga do eixo	h
Tipo de eixo	Keyed
Velocidade na saída máxima	20 r/min
Torque em stall	574 Nm
Torque em stall	423 ft lb
Torque na saída máxima	287 Nm
Torque na saída máxima	212 ft lb
Tipo de palheta	Lubrication free
Peso	4.9 kg

Peso	10.8 lb
Mangueira de entrada	10 mm
Mangueira de entrada	0.4 pol.
Classe de proteção contra ingresso	IP66
Mangueira de saída	16 mm
Mangueira de saída	0.6 pol.

Classificação IP

A classificação IP dos motores a ar referem-se à cobertura mecânica, de acordo com a norma IEC 60529. A classificação IP não cobre resistência à corrosão ou outros fluidos que não sejam água potável limpa.

Declarações

DECLARAÇÃO DE INCORPORAÇÃO UE

Nós da Atlas Copco Industrial Technique AB, SE-105 23 STOCKHOLM SWEDEN, declaramos, sob nossa exclusiva responsabilidade, que este produto (com nome, tipo e número de série, ver primeira página) atende aos requisitos essenciais da Diretiva de Máquinas 2006/42/EC a seguir:

2006/42/EC (Annex I, clauses 1.1, 1.2 (excluding 1.2.4.3), 1.3, 1.4, 1.5, 1.6, 1.7)

E que este equipamento parcialmente finalizado atende às disposições das outras Diretivas da UE a seguir: 2014/34/EU (ATEX)

O equipamento parcialmente concluído não deve ser colocado em funcionamento antes que o equipamento final ao qual ele deve ser incorporado seja declarado em conformidade com as disposições da Diretiva de Máquinas 2006/42/CE, conforme o caso.

As normas europeias harmonizadas a seguir (partes/cláusulas) foram aplicadas:

EN 1127-1:2019, EN ISO 12100:2010, EN ISO 80079-36:2016, EN ISO 80079-37:2016

A documentação técnica em questão foi compilada e comunicada de acordo com a Machinery Directive (Diretiva de Máquinas) 2006/42/EC parte B do Anexo VII e a Directive (Diretiva) ATEX 2014/34/UE Artigo 13 (1) b) ii no Órgão Certificador ExVeritas ApS (Identificação UE Nº 2804) na Dinamarca. As autoridades podem solicitar o dossier técnico da Diretiva ATEX 2014/34/UE em formato impresso em: <https://www.exveritas.com/2022/02/02/what-you-need-for-atex-and-ukca-explosive-atmosphere-certification-for-the-uk-and-eu-markets/>

Stockholm, 1 September 2023

Håkan Andersson, Managing Director

Assinatura do emissor



Informações a respeito do Artigo 33 do REACH

O European Regulation (UE) nº 1907/2006, sobre Registros, Avaliação, Autorização e Restrição de Produtos Químicos (REACH), define, entre outras coisas, os requisitos relacionados à comunicação na cadeia de fornecimento. O requisito das informações aplica-se também a produtos que contêm as chamadas Substâncias de Preocupação muito elevada (a “Lista de Candidatos”). No dia 27 de junho de 2018 foi acrescentado à Lista de Candidatos o metal chumbo (CAS nº 7439-92-1).

Conforme o que foi dito acima, o objetivo do presente documento é informar que determinados componentes mecânicos do produto podem conter o metal chumbo. Isto está em conformidade com a atual legislação de restrição de substâncias e baseia-se em exceções legítimas da Diretiva RoHS (2011/65/EU). Não ocorre vazamento ou mutação do chumbo a partir do produto durante uso normal e a concentração do metal chumbo no produto completo fica bem abaixo do limite aplicável. Também deve-se levar em conta os requisitos locais relacionados ao descarte de chumbo no final da vida útil do produto.

Requisitos regionais

⚠ AVISO

Este produto pode expor você a produtos químicos, entre eles o chumbo, conhecido no Estado da Califórnia por causar câncer e defeitos em recém-nascidos, além de outros danos à reprodução. Para mais informações, visite <https://www.p65warnings.ca.gov/>

Segurança

NÃO DESCARTE - ENTREGUE AO USUÁRIO

⚠ AVISO Leia todos os avisos de segurança, instruções, ilustrações e especificações fornecidas com o produto.

O não cumprimento de todas as instruções apresentadas abaixo poderá resultar em choque elétrico, incêndio, danos à propriedade e/ou lesões graves.

Guarde todos os alertas e instruções para referência futura.

⚠ AVISO Todas as normas de segurança localmente legisladas relativas a instalação, operação e manutenção devem ser sempre respeitadas.

Declaração de Uso

- Apenas para uso profissional.
- Este produto e seus acessórios não devem ser modificados em qualquer circunstância.
- Não utilize o produto se estiver danificado.
- Se os dados do produto ou as sinalizações de perigo na ferramenta deixarem de ser legíveis ou se soltarem, substitua o produto sem demora.
- Somente uma pessoa qualificada em ambiente de montagem industrial pode instalar, operar ou dar manutenção de rotina no produto.

Finalidade

Este motor foi projetado para ser incorporado a uma máquina móvel ou fixa. É somente para rotação para a direita, esquerda ou reversível e deve ser montado somente pelo flange ou pela ponta roscada, conforme apropriado. Não é permitido nenhum outro tipo de uso.

O risco dos motores serem a fonte de ignição de um ambiente potencialmente explosivo é extremamente pequeno. O usuário é responsável por avaliar os riscos associados a máquina inteira na qual o motor será incorporado.

Instruções específicas do produto

Atenção

⚠ AVISO Risco por polímero

As palhetas deste produto contêm PTFE (um fluoropolímero sintético). Em decorrência de desgaste, pode haver partículas de PTFE no interior do produto. Quando aquecido, o PTFE pode produzir vapores capazes de causar febre com sintomas de resfriado, especialmente quando se fuma tabaco contaminado.

As recomendações de Saúde e Segurança para o PTFE têm de ser obedecidas ao manusear palhetas e outros componentes:

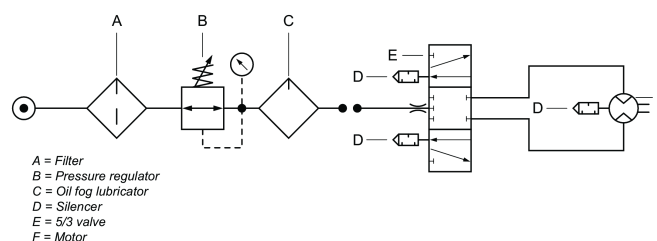
- ▶ Não fume enquanto fizer a manutenção neste produto
- ▶ Partículas de PTFE não podem entrar em contato com chama aberta e fontes de incandescência ou calor
- ▶ Os componentes do motor devem ser lavados com fluido de limpeza e não devem receber jato de ar comprimido
- ▶ Lave as mãos antes de começar qualquer outra atividade.

Classificação IP

A Classificação IP do motores a ar é definida sob condição pressurizada e exclui a saída ou o silenciador acoplado. Se o motor operar submerso ou em jatos fortes de água, recomenda-se direcionar a saída para fora da água com uma mangueira. Quando o motor ficar submerso, sempre o manteria pressurizado com uma pressão mais elevada do que a profundidade correspondente.

Diagrama de Instalação

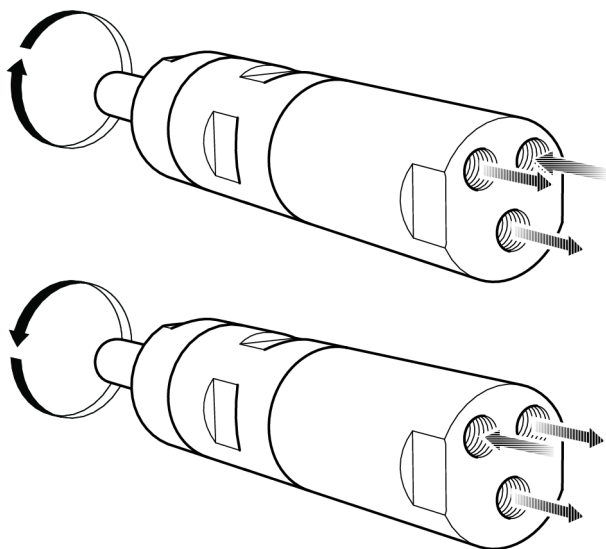
Motor reversível



Conectando o suprimento de ar

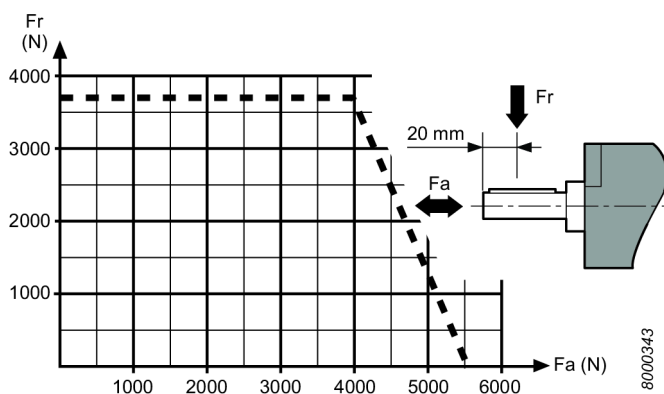
Quando o suprimento de ar comprimido está conectado à entrada, a direção de rotação será como mostrado na figura abaixo. Se o ar de exaustão deve ser expelido, uma mangueira deve ser conectada à saída de exaustão.

O suprimento de ar comprimido deve ser conectado à entrada correspondente à direção de rotação desejada; consulte a figura abaixo. A entrada que não está em uso funciona como uma saída adicional e não deve ser conectada.



s015473

Diagrama da carga do eixo

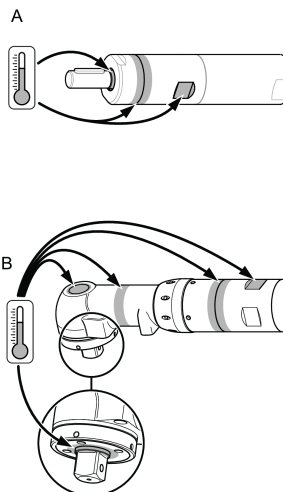


8000343

Pontos quentes

As seguintes áreas quentes no motor podem atingir temperaturas elevadas durante a operação. A imagem mostra áreas quentes de modelos específicos:

- Anel de vedação do eixo de saída (A, B, C)
- Junta entre a parte frontal e anel de engrenagens (A, B)
- Suporte-chave (A, B)



002028631

As temperaturas mais elevadas ocorrem quando o motor está operando a uma pressão total sem carga. Com o aumento do torque, o motor de ar reduz a velocidade de rotação e a temperatura.

Atenção

Certifique-se de que você está familiarizado com as instruções operacionais antes de usar o motor.

Este motor, seus anexos e acessórios devem ser usados apenas para o propósito ao qual foram projetados.

Por razões de responsabilidade pelo produto e segurança, qualquer alteração no motor ou nos seus acessórios, que podem ter influência na responsabilidade pelo produto, devem estar de acordo com a autoridade técnica do fabricante.

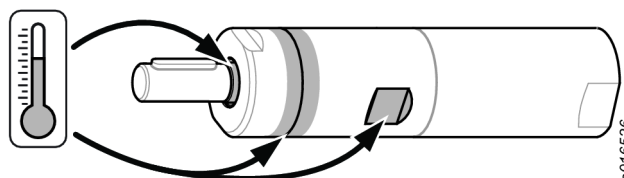
Para prevenir acidentes pessoais e riscos a longo prazo:

- Se o motor tiver certificação ATEX, os filtros/silenciadores devem ser instalados nas aberturas de saída do motor.
- Os silenciadores são recomendados também para outras aplicações para reduzir a exposição ao ruído.
- Desconecte o motor da linha de ar antes de qualquer operação de ajuste.
- **Preste atenção em suas mãos, cabelo e roupa – mantenha-os sempre longe das partes em rotação.**

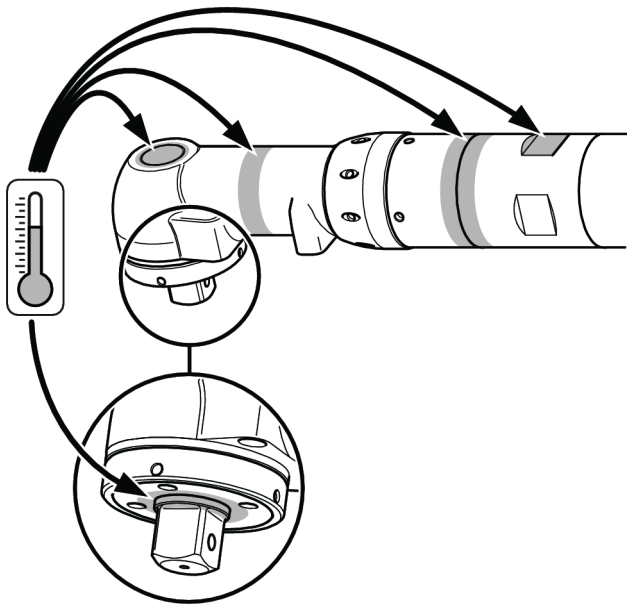
Manutenção

- A manutenção e o reparo deste produto ATEX devem ser realizados exclusivamente por pessoal autorizado, depois disso um teste sem carga e medições de temperatura das áreas de calor (como vistos na figura) devem ser realizados e registrados em um relatório.

Após um teste sem carga de 5 min, a temperatura da superfície não deve exceder a soma de 45°C + temperatura ambiente, onde esta pode variar entre 0 – 40°C.



s016536



Instruções Gerais de Segurança

Perigos de conexão e fornecimento de ar

- Ar pressurizado pode causar lesões graves.
- Feche sempre o fornecimento de ar, alivie a pressão da mangueira e desconecte a ferramenta da tomada de ar quando não estiver em uso, antes de alterar os acessórios ou fazer reparos.
- Nunca dirija o ar para si mesmo ou outra pessoa.
- Mangueiras chicoteando podem causar lesões graves. Verifique sempre se existem mangueiras e conexões danificadas ou soltas.
- Não exceda a pressão do ar máxima de 6,3 bar / 90 psi, ou como definido na placa de identificação da ferramenta.

Riscos de emaranhar-se

- Mantenha-se afastado da propulsão rotativa. Sufocamento, escarpelamento e/ou laceração podem ocorrer se roupas soltas, luvas, joias, colares ou cabelo não forem mantidos longe de ferramentas e acessórios.

Perigo de projéteis

- Sempre use proteção resistente a impacto para os olhos e o rosto quando trabalhar com ou perto da ferramenta em operação, reparo ou manutenção ou durante uma troca de acessórios.
- Certifique-se de que todas as outras pessoas no local estejam usando proteção resistente a impactos para os olhos e o rosto. Mesmo pequenos fragmentos podem atingir os olhos e causar cegueira.
- Garanta que a peça a ser trabalhada esteja fixada de forma segura.

Perigos de operação

- Fixe a ferramenta com segurança.
- Garanta que a ferramenta está em uma parada completa antes de remover o trabalho.
- Sempre coloque controles de iniciar, parar e parada de emergência na máquina em que o motor/motor de torque esteja incorporado.

Riscos por ruídos

- Níveis sonoros muito altos podem causar perda auditiva permanente e outros problemas, como zumbido. Use a proteção auditiva recomendada pelo empregador e de acordo com os regulamentos de saúde e segurança do trabalho.
- Para evitar aumentos desnecessários de níveis de ruído opere e faça manutenção da ferramenta, e selecione, faça manutenção e substitua os acessórios e consumíveis de acordo com este manual de instruções.

Perigos no local de trabalho

- Escorregões, tropeções e quedas são as principais causas de lesões graves ou morte. Não deixe excesso de mangueira nas vias de acesso ou no local de trabalho.
- Evite inalar poeira ou fumaça, ou manusear detritos do processo de trabalho que podem causar problemas de saúde (por exemplo, câncer, defeitos de nascença, asma e/ou dermatite). Use equipamento extrator de poeira e equipamento de proteção respiratória quando trabalhar com materiais que produzam partículas em suspensão no ar.
- Certas poeiras criadas pelo jateamento, serração, esmerilhamento, perfuração e outras atividades mecanizadas de construção podem conter componentes químicos que o Estado da Califórnia reconhece como causadores de câncer, defeitos de nascença e outros prejuízos ao sistema reprodutor humano. Alguns exemplos desses componentes químicos são:
 - Chumbo de tinta à base de chumbo
 - Tijolos de sílica cristalina, cimento e outros produtos de alvenaria
 - Arsênico e cromo da borracha tratada quimicamente.

Seu risco a essas exposições varia, dependendo da frequência que você realiza esse tipo de trabalho. Para reduzir sua exposição a esses componentes químicos: trabalhe em área bem ventilada e use equipamentos de proteção apropriados, como máscaras contra poeira que sejam especificamente indicadas para partículas microscópicas.

- Proceda com cuidado em ambientes desconhecidos. Conheça os perigos potenciais criados pela sua atividade de trabalho. Esta ferramenta não é protegida contra o contato com fontes de eletricidade.

Sinalizações e Adesivos

O produto está equipado com sinais e autocolantes contendo informações importantes sobre segurança pessoal e manutenção do produto. Os sinais e autocolantes devem ser sempre fáceis de ler. Novos sinais e autocolantes podem ser encomendados utilizando a lista de peças sobressalentes.



Informações da Certificação ATEX

Definição do Código ATEX

O código ATEX é:



Ex II 2 G Ex h IIC T6 Gb

Ex II 2 D Ex h IIIC T85°C Db

$^{\circ}\text{C} \leq \text{Ta} \leq 40^{\circ}\text{C}$

Descrição	Valor	Definição
Grupo do equipamento	II	Indústria de Superfície
Categoria do equipamento	2	Nível de proteção elevado
Grupo II		<ul style="list-style-type: none"> zona 1 (gás) zona 2 (gás) zona 21 (poeira) zona 22 (poeira)
Atmosfera	G	Atmosfera contendo gás, vapores ou névoa
	D	Atmosfera contendo poeira
Design de segurança	h	Produto mecânico
Grupo de gases	IIC	Hidrogênio/ Acetileno
	IIB	Etileno
Grupo de poeiras	IIIC	Poeira combustível em superfície
Temperatura máx. da superfície em atmosfera com Gás		T1 = 450 °C T2 = 300°C T3 = 200°C T4 = 135 °C T5 = 100°C T6 = 85°C
Temperatura máx. da superfície em atmosfera com Poeira		Exemplo de temperaturas: T85 °C T110 °C T120 °C T125 °C T240 °C
Restrição especial, por exemplo, o intervalo da temperatura ambiente.	X	

Temperaturas

- A certificação é válida para temperatura ambiente máxima de 40°C.
- 40°C é também a temperatura máxima permitida do ar comprimido quando este entra no produto.
- Se o produto for instalado em um equipamento, todo o equipamento deverá corresponder às diretrizes 2014/34/EU.
- O ar comprimido deve atender a nossas demandas de qualidade (classes de qualidade 2.4.3, 3.4.4 e 3.5.4, em conformidade com a ISO/DIS 8573-1:2010).
- Não exceda a pressão máxima de 6,3 bar ou como definido na placa de identificação do produto. Exceder a pressão de funcionamento pode aumentar a temperatura da superfície devido à maior velocidade de rotação e o produto pode se tornar uma fonte de ignição.

Ex Classificação

Se o produto fizer parte de um conjunto em que os componentes têm diferentes códigos Ex classificação, o componente com o menor nível de segurança define a Ex classificação de todo o conjunto.

Diretrizes para evitar explosões

Limpeza

- Verifique se o produto é mantido limpo e sem poeira para evitar o aumento da temperatura do rolamento e da superfície.
- Se usar silenciador: Confirme se o silenciador tem instalado um filtro na saída de ar para evitar que partículas aquecidas por atrito entrem na atmosfera do ambiente.

Uso

- Certifique-se de que o produto esteja aterrado ao sistema equipotencial de ligação da oficina, por exemplo, através de acessórios, como as conexões das mangueiras e da pressão do ar.
- É de responsabilidade do usuário certificar-se de que o produto e todos os acessórios possíveis, como as chaves de força e as conexões de ar, estejam em conformidade com os regulamentos de segurança nacional para equipamentos utilizados em áreas potencialmente explosivas.

Informações úteis

Website

Informações referentes a nossos Produtos, Acessórios, Peças de Reposição e Materiais Publicados podem ser encontrados no site da Atlas Copco .

Visite: www.atlascopco.com.

ServAid

O ServAid é um portal continuamente atualizado e que contém Informações Técnicas, como:

- - Informações regulatórias e de segurança
- Dados técnicos
- Instruções de instalação, operação e manutenção
- Listas de peças de reposição
- Acessórios
- Desenhos Dimensionais

Visite: <https://servaid.atlascopco.com>.

Para obter mais informações, entre em contato com o seu representante local da Atlas Copco .

Dati tecnici**Dati tecnici**

N. ordine	8411046413
Modello	LZB46-L-AR0004-11
Consumo d'aria alla massima potenza	14 l/s
Consumo d'aria alla massima potenza	29.7 cfm
Coppia frenante	Nm
Coppia frenante	ft lb
Freno incorporato	No
Materiale delle parti esterne	Hardened steel/Aluminium
Velocità libera	35 giri/min
Potenza massima	0.59 kW
Potenza massima	0.79 hp
Coppia iniziale minima	388 Nm
Coppia iniziale minima	286 ft lb
Rapporto	
Rapporto di riduzione	
Direzione di rotazione	Reversible
Codice di caricamento dell'albero	h
Tipo di albero	Keyed
Velocità alla massima potenza	20 giri/min
Coppia di stallo	574 Nm
Coppia di stallo	423 ft lb
Coppia alla massima potenza	287 Nm
Coppia alla massima potenza	212 ft lb
Tipo di reparto	Lubrication free
Peso	4.9 kg
Peso	10.8 lb
Tubo di alimentazione	10 mm
Tubo di alimentazione	0.4 in
Grado di protezione di ingresso	IP66
Tubo di scarico	16 mm

Tubo di scarico

0.6 in

Classificazione IP

La classificazione IP dei motori pneumatici si riferisce alla carcassa meccanica in base allo standard IEC 60529. La classificazione IP non indica la resistenza alla corrosione o ai liquidi diversi dall'acqua dolce pulita.

Dichiarazioni**DICHIARAZIONE DI INCORPORAZIONE UE**

Noi **Atlas Copco Industrial Technique AB**, SE-105 23 STOCKHOLM SWEDEN, dichiariamo sotto esclusiva responsabilità che questo prodotto (con nome, tipo e numero di serie, vedi prima pagina) è conforme ai seguenti requisiti essenziali della Direttiva macchine 2006/42/CE

2006/42/EC (Annex I, clauses 1.1, 1.2 (excluding 1.2.4.3), 1.3, 1.4, 1.5, 1.6, 1.7)

e che questo macchinario parzialmente completato è conforme alle disposizioni delle seguenti altre direttive europee: 2014/34/EU (ATEX)

Il macchinario parzialmente completato non deve essere messo in servizio fino a quando il macchinario finale in cui verrà incorporato non sarà stato dichiarato conforme alle disposizioni della Direttiva macchine 2006/42/CE, ove appropriato.

Sono state applicate le seguenti (parti/clausole di) norme armonizzate europee:

EN 1127-1:2019, EN ISO 12100:2010, EN ISO 80079-36:2016, EN ISO 80079-37:2016

La documentazione tecnica pertinente è stata compilata e comunicata in conformità alla direttiva macchine 2006/42/CE parte B dell'allegato VII e alla direttiva ATEX 2014/34/UE articolo 13 (1) b) ii all'organismo notificato ExVeritas ApS (Identificazione UE No 2804) in Danimarca. Le autorità possono richiedere il file tecnico per la Direttiva ATEX 2014/34/UE in formato cartaceo a:

<https://www.exveritas.com/2022/02/02/what-you-need-for-atex-and-ukca-explosive-atmosphere-certification-for-the-uk-and-eu-markets/>

Stockholm, 1 September 2023

Håkan Andersson, Managing Director

Firma del dichiarante


Informazioni sull'articolo 33 del REACH

Il Regolamento Europeo (UE) n. 1907/2006 sulla registrazione, valutazione, autorizzazione e restrizione delle sostanze chimiche (REACH) definisce, tra le altre cose, i requisiti relativi alla comunicazione nella catena di approvvigionamento. L'obbligo di informazione vale anche per i

prodotti contenenti le cosiddette sostanze estremamente problematiche ("elenco delle sostanze candidate"). Il 27 giugno 2018, il piombo metallico (numero CAS 7439-92-1) è stato aggiunto all'elenco delle sostanze candidate.

In conformità con quanto indicato sopra, determinati componenti meccanici del prodotto potrebbero contenere piombo metallico. Ciò è in conformità con la legislazione vigente in materia di restrizione delle sostanze e in linea con le esenzioni legittime nella direttiva RoHS (2011/65/UE). Il piombo non colerà dal prodotto o si modificherà durante il normale utilizzo. La concentrazione di piombo nel prodotto completo è inferiore al limite di soglia applicabile. Valuta i requisiti locali sullo smaltimento del piombo al termine del ciclo di vita del prodotto.

Requisiti regionali

⚠ ATTENZIONE

Questo prodotto può causare esposizione a sostanze chimiche tra cui il piombo, note allo stato della California come causa di tumori e difetti congeniti o altri problemi riproduttivi. Per maggiori informazioni consultare <https://www.p65warnings.ca.gov/>

Sicurezza

NON SMALTIRE: DA CONSEGNARE ALL'UTENTE

⚠ ATTENZIONE Leggere tutti gli avvisi, le istruzioni di sicurezza, le illustrazioni e le specifiche tecniche di questo utensile.

Il mancato rispetto di tutte le seguenti istruzioni può provocare scosse elettriche, incendi e/o gravi lesioni.

Conservare tutti gli avvisi e le istruzioni per consultarli eventualmente in futuro.

⚠ ATTENZIONE Rispettare sempre le norme ed i regolamenti locali inerenti l'installazione, il funzionamento e la manutenzione.

Dichiarazione sull'utilizzo

- Destinato solo a un utilizzo professionale.
- Questo utensile e i suoi accessori non devono mai essere modificati.
- Non utilizzare questo prodotto se è stato danneggiato.
- Se le targhette indicanti i dati del prodotto o i segnali di pericolo del prodotto diventano illeggibili o si staccano, sostituirli immediatamente.
- Il prodotto deve essere installato, utilizzato e mantenuto solo da personale qualificato e in un ambiente di assemblaggio industriale.

Uso previsto

Questo motore è progettato per essere incorporato in una macchina fissa o mobile. È adatto per la sola rotazione destrorsa, o la sola rotazione sinistrorsa, oppure la rotazione reversibile e deve essere montato solo mediante la flangia o il naso filettato, come appropriato. Non è consentito nessun altro uso.

Il rischio che i motori diventino una fonte di accensione di un'atmosfera potenzialmente esplosiva è estremamente ridotto. L'utente è responsabile della valutazione dei rischi associati a tutta la macchina nella quale deve essere incorporato il motore.

Istruzioni specifiche del prodotto

Attenzione

⚠ ATTENZIONE Rischio da polimeri

Le pale di questo prodotto contengono PTFE (un fluoropolimero sintetico). A causa dell'usura, particelle di PTFE possono essere presenti all'interno del prodotto. Il PTFE riscaldato può produrre fumi che possono causare febbre con sintomi influenzali, specialmente fumando tabacco contaminato.

Rispettare sempre le norme di salute e sicurezza per il PTFE quando si lavora sulle pale ed altri componenti:

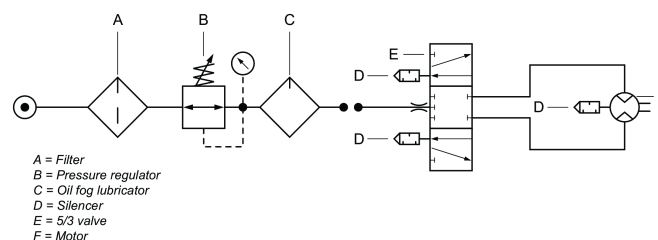
- ▶ Evitare di fumare lavorando su questo prodotto
- ▶ Le particelle di PTFE non devono entrare in contatto con fiamme vive, braci o fonti di calore
- ▶ I componenti del motore devono essere lavati con liquido detergente e non puliti tramite soffiaggio con aria compressa
- ▶ Lavarsi le mani prima di iniziare qualsiasi altra attività

Grado di protezione IP

Il grado di protezione IP dei motori pneumatici è impostato in condizioni di pressione ed esclude la presa o il silenziatore collegato. Se il motore funziona in immersione o con getti d'acqua pesanti, tenere l'uscita lontana dall'acqua con un tubo. Se immerso, tenere sempre il motore sotto pressione con una pressione più alta della profondità corrispondente.

Diagramma di installazione

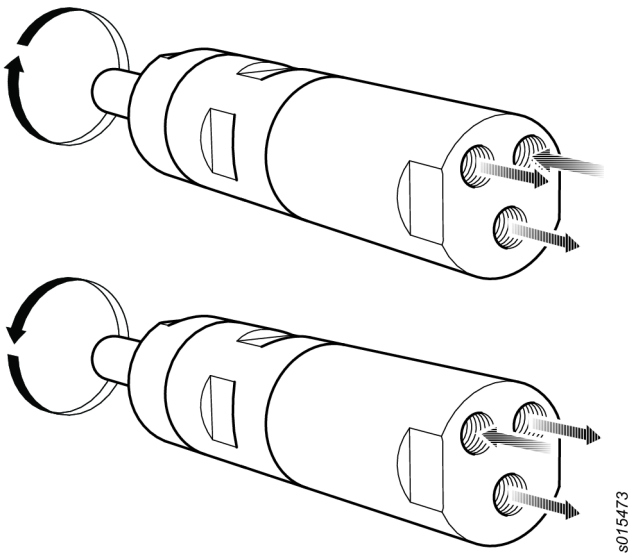
Motore reversibile



Collegamento dell'alimentazione pneumatica

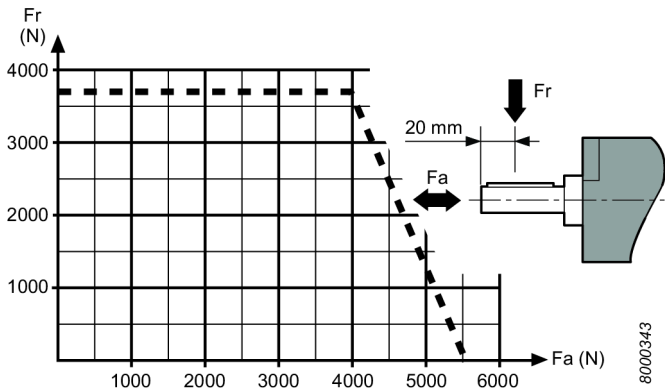
Quando l'alimentazione di aria compressa è collegata all'ingresso, la direzione di rotazione sarà come mostrato nella figura seguente. Se l'aria di scarico deve essere sfiata tramite un tubo di scappamento, collegare un flessibile all'uscita di scarico.

L'alimentazione di aria compressa deve essere collegata all'ingresso corrispondente per la direzione di rotazione desiderata, vedere la figura seguente. L'ingresso che non viene usato funziona come uscita aggiuntiva e non dev'essere collegata.



s015473

Diagramma del carico sull'albero

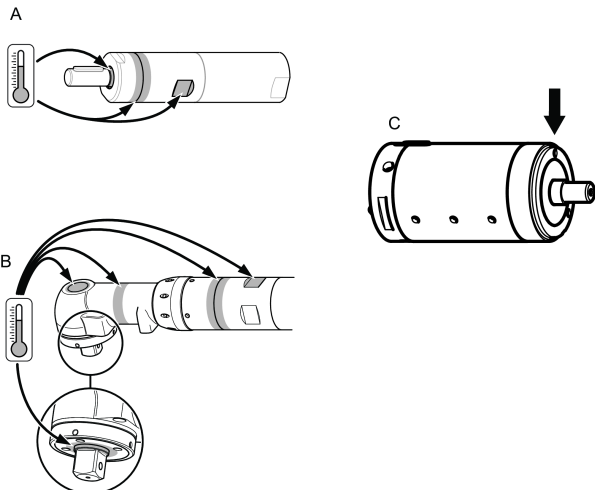


8000343

Punti caldi

I seguenti punti caldi sul motore possono raggiungere temperature elevate durante il funzionamento. L'immagine mostra i punti caldi di modelli specifici:

- Anello di tenuta sull'albero di uscita (A, B, C)
- Giunzione tra parte anteriore e corona dentata (A, B)
- Impugnatura chiave (A, B)



198298831

Si verificano le temperature più elevate quando il motore funziona a piena pressione e senza carico. Con l'aumento della coppia, il motore pneumatico riduce la velocità di rotazione e la temperatura.

Attenzione

L'operatore dovrà aver letto attentamente e capito le seguenti istruzioni prima di usare il motore.

Il motore, i collegamenti e gli accessori devono essere utilizzati esclusivamente per gli scopi espressamente indicati.

Per motivi di responsabilità civile e prevenzione infortuni, qualsiasi modifica al motore e suoi accessori deve essere autorizzata dall'ufficio tecnico responsabile del costruttore.

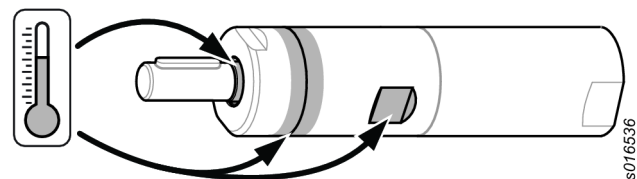
Per prevenire il rischio di lesioni personali e danni connessi ad un utilizzo intensivo:

- Se il motore ha la certificazione ATEX, il filtro/silenziatori devono essere installati in corrispondenza dei fori di uscita del motore.
- I silenziatori sono consigliati anche per altre applicazioni per ridurre l'esposizione sonora.
- Scollegare il motore dalla tubazione dell'aria prima di qualsiasi operazione di regolazione.
- **Far attenzione alle mani, capelli e indumenti – Tenerli ben lontano da organi rotanti.**

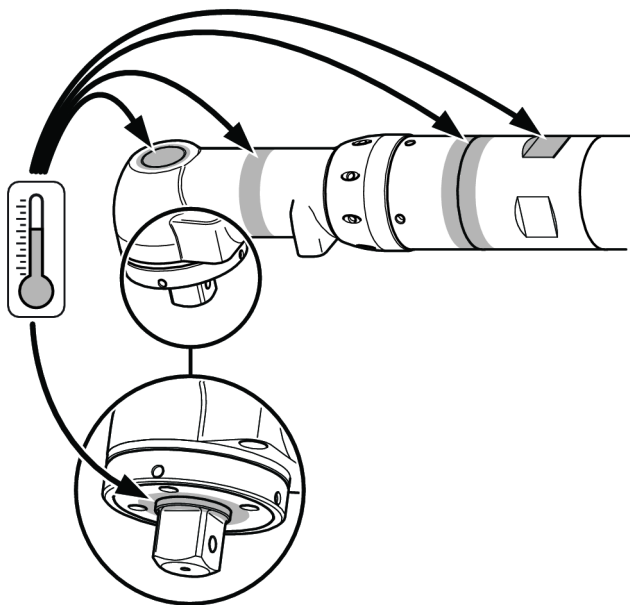
Manutenzione

- Gli interventi di manutenzione e le riparazioni di questo prodotto ATEX devono essere eseguiti esclusivamente da personale autorizzato, dopodiché deve essere svolta una prova in assenza di carico dei punti caldi (come mostrato in figura) misurando e registrando le temperature in un rapporto.

Dopo una prova in assenza di carico di 5 minuti rilevare che la temperatura superficiale non superi la somma di 45°C + temperatura circostante, dove la temperatura circostante può variare tra 0 – 40°C.



s016536



Norme di sicurezza generali

Rischi connessi all'alimentazione pneumatica e relativi collegamenti

- L'aria sotto pressione può causare gravi lesioni personali.
- Chiudere sempre l'erogazione dell'aria e scollegare l'utensile dalla rete quando non viene utilizzato, prima di sostituire gli accessori o quando si eseguono riparazioni.
- Non dirigere mai il getto d'aria verso sé stessi o altre persone.
- I colpi di frusta causati dai tubi possono produrre gravi danni. Controllare sempre tubi e raccordi per accertare eventuali perdite o danneggiamenti.
- Non superare il limite massimo di 6,3 bar (90 psig) di pressione dell'aria o il valore indicato sulla targhetta dell'utensile.

Rischi causati dal rimanere impigliati

- Tenersi lontano dal comando rotante. Se indumenti larghi, guanti, gioielli e collane non sono tenuti a distanza dall'utensile e dagli accessori, si può rischiare il soffocamento e/o lacerazioni, anche al cuoio capelluto se i capelli restano impigliati.

Rischi relativi agli oggetti scagliati con forza

- Indossare sempre protezioni antiurto per gli occhi e per il volto quando si lavora con l'utensile o in prossimità di esso per operazioni di manutenzione, funzionamento o riparazione o per la sostituzione di accessori.
- Verificare che le altre persone nella zona stiano indossando protezioni antiurto per occhi e volto. Anche oggetti proiettati di piccole dimensioni possono causare infortuni agli occhi o addirittura cecità.
- Verificare che il pezzo sia fissato saldamente.

Rischi connessi all'utilizzo

- Serrare saldamente l'utensile.
- Verificare che l'utensile sia completamente arrestato prima di rimuovere il pezzo.

- Montare sempre i comandi di avvio, arresto e arresto di emergenza sulla macchina nella quale è incorporato il motore/motore di coppia.

Rumori pericolosi

- Eccessivi livelli acustici possono causare perdite di udito permanenti e problemi come il tinnito auricolare. Utilizzare le protezioni acustiche consigliate dal datore di lavoro o imposte dalle norme relative alla salute e sicurezza sul lavoro.
- Per impedire inutili aumenti dei livelli delle emissioni acustiche, l'uso e la manutenzione dell'utensile, nonché la scelta, manutenzione e sostituzione degli accessori e degli elementi di consumo devono essere conformi a quanto indicato nel presente manuale di istruzioni.

Rischi relativi al luogo di lavoro

- Scivolamenti, inciampi e cadute sono un'importante causa di infortuni gravi o mortali. Prestare attenzione alla presenza di tratti di tubo flessibile sulla superficie di calpestio o di lavoro.
- Evitare l'inalazione di polveri o fumi o il trattamento di residui dei processi di lavorazione che possono causare malattie (per esempio, cancro, malformazioni fetali, asma e/o dermatite). Utilizzare l'estrazione di polvere e indossare attrezzature protettive per la respirazione durante il lavoro con materiali che producono particelle sospese nell'aria.
- La polvere prodotta da sabbatura elettrica, utilizzo della sega, smerigliatura, perforazione e altre attività edili contiene sostanze chimiche che lo Stato della California ritiene provocano cancro, malformazioni del feto e disturbi dell'apparato riproduttivo. Si riportano di seguito alcuni esempi di tali sostanze chimiche:
 - piombo contenuto nelle vernici mattoni,
 - mattoni, cemento e altri materiali edili in silice cristallina
 - arsenico e cromo provenienti da gomma trattata chimicamente

I rischi derivanti dall'esposizione a tali materiali variano in base alla frequenza di svolgimento dell'attività. Per ridurre l'esposizione a tali sostanze chimiche: lavorare in aree ben ventilate e utilizzare dispositivi di sicurezza approvati, come le maschere antipolvere progettate appositamente per filtrare le particelle microscopiche.

- Prestare attenzione in ambienti non conosciuti. È necessario essere consapevoli dei rischi potenziali causati dal proprio lavoro. L'utensile non è isolato dal rischio di contatto con fonti di energia elettrica.

Segni e adesivi

Il prodotto possiede targhette e adesivi contenenti informazioni importanti sulla sicurezza personale e sulla manutenzione del prodotto. Le targhette e gli adesivi devono essere sempre leggibili. È possibile ordinare nuove targhette e adesivi facendo riferimento alla lista dei ricambi.



Informazioni sulla certificazione ATEX

Definizione di codice ATEX

Il codice ATEX è:



Ex II 2 G Ex h IIC T6 Gb
Ex II 2 D Ex h IIIC T85°C Db
 $^{\circ}\text{C} \leq T_a \leq 40^{\circ}\text{C}$

Descrizione	Valore	Definizione
Gruppo di apparecchiature	II	Settore del trattamento superfici
Categoria delle apparecchiature	2	Livello di protezione alto
Gruppo II		<ul style="list-style-type: none"> • zona 1 (gas) • zona 2 (gas) • zona 21 (polvere) • zona 22 (polvere)
Atmosfera	G	Atmosfera contenente gas, vapori o aerosol
	D	Atmosfera contenente polvere
Progettazione di sicurezza	h	Prodotto meccanico
Gruppo di gas	IIC IIB	Idrogeno/acetilene Etilene
Gruppo per la polvere	IIIC	Polvere del combustibile superficiale
Temperatura superficiale max. in atmosfera gassosa		T1 = 450°C T2 = 300°C T3 = 200°C T4 = 135°C T5 = 100°C T6 = 85°C
Temperatura superficiale max. in atmosfera polverosa		Temperature esemplificative: T85°C T110°C T120°C T125°C T240°C
Limitazione speciale, ad esempio intervallo di temperatura ambiente.	X	

Temperature

- La certificazione è valida per una temperatura massima circostante di 40°C.
- Anche l'aria compressa deve avere una temperatura massima di 40°C al suo ingresso nel prodotto.
- Se il prodotto è installato in un'apparecchiatura, quest'ultima nella sua interezza deve ottemperare alle linee guida 2014/34/CE.
- Verificare che l'aria compressa soddisfi i requisiti di qualità previsti (classi di qualità 2.4.3. e 3.4.4 rispettivamente, 3.5.4 secondo ISO/DIS 8573-1:2010).
- Non superare il limite massimo di 6,3 bar di pressione o il valore indicato sulla targhetta del prodotto. Il superamento della pressione di esercizio può aumentare la temperatura superficiale a causa della velocità di rotazione superiore, e il prodotto può diventare una fonte di accensione.

Classificazione Ex

Se il prodotto fa parte di un gruppo in cui i componenti hanno classificazioni Ex diverse il componente con il livello di sicurezza più basso definisce la classificazione Ex del gruppo completo.

Linee guida per la prevenzione delle esplosioni

Pulizia

- Verificare che il prodotto sia mantenuto privo di polvere e sporczia per prevenire aumenti delle temperature superficiali e dei cuscinetti.
- Se si utilizza un silenziatore: Verificare che sia installato un silenziatore ad azione filtrante sull'uscita dell'aria, per evitare che particelle riscaldate dall'attrito entrino in contatto con l'atmosfera circostante.

Utilizzo

- Verificare che il prodotto sia collegato a terra al sistema di collegamento equipotenziale dell'officina, per esempio attraverso accessori quali tubi flessibili e collegamenti alla pressione dell'aria.
- È responsabilità dell'utente accertare che il prodotto e tutti i possibili accessori, quali le chiavi e i collegamenti dell'aria, siano conformi alle norme di sicurezza nazionali per le apparecchiature utilizzate in zone potenzialmente esplosive.

Informazioni utili

Sito web

Il sito web Atlas Copco offre informazioni su prodotti, accessori, parti di ricambio e pubblicazioni.

Visita: www.atlascopco.com.

ServAid

ServAid è un portale continuamente aggiornato e contenente informazioni tecniche come ad esempio:

- - Informazioni sulla regolamentazione e sulla sicurezza
- Dati tecnici
- Istruzioni su installazione, funzionamento e assistenza
- Elenchi delle parti di ricambio
- Accessori
- Diagrammi dimensionali

Visita: <https://servaid.atlascopco.com>.

Per ulteriori informazioni tecniche, contatta un rappresentante locale Atlas Copco.

Technische gegevens

Technische gegevens

Bestelnr.	8411046413
Model	LZB46-L-AR0004-11
Luchtverbruik bij maximale output	14 l/s
Luchtverbruik bij maximale output	29.7 cfm
Remkoppel	Nm
Remkoppel	ft lb
Ingebouwde rem	No
Materiaal externe onderdelen	Hardened steel/Aluminium
Stationaire snelheid	35 r/min
Max. output	0.59 kW
Max. output	0.79 pk
Min. startkoppel	388 Nm
Min. startkoppel	286 ft lb
Verhouding	
Versnellingsverhouding	
Draairichting	Reversible
Asbelastingscode	h
Astype	Keyed
Snelheid bij max. output	20 r/min
Minimumkoppel	574 Nm
Minimumkoppel	423 ft lb
Koppel bij max. output	287 Nm
Koppel bij max. output	212 ft lb
Schoeptype	Lubrication free
Gewicht	4.9 kg
Gewicht	10.8 lb
Inlaatslang	10 mm
Inlaatslang	0.4 in
IP-beschermingsgraad	IP66
Uitlaatslang	16 mm
Uitlaatslang	0.6 in

IP-beschermingsgraad

De IP-beschermingsgraad van de luchtmotoren heeft betrekking op de mechanische behuizing volgens de IEC 60529-norm. De IP-beschermingsgraad heeft geen betrekking op corrosiebestendigheid of andere vloeistoffen dan schoon zoetwater.

Verklaringen

EU-INBOUWVERKLARING

Wij, **Atlas Copco Industrial Technique AB**, SE-105 23 STOCKHOLM SWEDEN, verklaren onder onze eigen verantwoordelijkheid dat dit product (met naam, type en serienummer zoals vermeld op de voorpagina) voldoet aan de volgende essentiële vereisten van Machinerichtlijn 2006/42/EG:

2006/42/EC (Annex I, clauses 1.1, 1.2 (excluding 1.2.4.3), 1.3, 1.4, 1.5, 1.6, 1.7)

En dat deze deels voltooide machine voldoet aan de bepalingen van de volgende andere EU-richtlijn(en): 2014/34/EU (ATEX)

Deze deels voltooide machine mag pas in gebruik worden genomen nadat er voor de machine, waartoe het product bestemd is te worden ingebouwd of samengebouwd, waar van toepassing, een verklaring van overeenstemming met de bepalingen van de Machinerichtlijn 2006/42/EG is afgegeven.

De volgende (delen/clausules van) Europese geharmoniseerde normen zijn toegepast:

EN 1127-1:2019, EN ISO 12100:2010, EN ISO 80079-36:2016, EN ISO 80079-37:2016

De relevante technische documentatie is opgesteld en gecommuniceerd in overeenstemming met Machinerichtlijn 2006/42/EU, deel B van Annex VII en ATEX-richtlijn 2014/34/EU Artikel 13 (1) b ii aan de aangemelde instantie ExVeritas ApS (EU-identificatienummer 2804) in Denemarken. Autoriteiten kunnen het technische bestand voor ATEX-richtlijn 2014/34/EU op papier opvragen bij: <https://www.exveritas.com/2022/02/02/what-you-need-for-atex-and-ukca-explosive-atmosphere-certification-for-the-uk-and-eu-markets/>

Stockholm, 1 September 2023

Håkan Andersson, Managing Director

Handtekening van de opsteller



Informatie betreffende artikel 33 van REACH

De Europese Verordening (EU) nr. 1907/2006 inzake de registratie en beoordeling van en de autorisatie en beperkingen ten aanzien van chemische stoffen (REACH) stelt onder andere eisen met betrekking tot de communicatie in de toeleveringsketen. De informatievereiste geldt ook voor producten die

zogenaamde zeer risicovolle stoffen bevatten (de 'kandidaat-slijst'). Op 27 juni 2018 werd loodmetaal (CAS-nr. 7439-92-1) toegevoegd aan de kandidaatslijst.

In overeenstemming met het bovenstaande, is deze mededeling bedoeld om u te informeren dat bepaalde mechanische componenten in het product loodmetaal kunnen bevatten. Dit is in overeenstemming met de huidige wetgeving inzake de beperking van stoffen en gebaseerd op rechtmatige uitzonderingen in de RoHS-Richtlijn (2011/65/EU). Loodmetaal lekt niet uit het product en muteert niet bij normaal gebruik en de concentratie van loodmetaal in het volledige product is ver onder de geldende drempel. Volg de lokale voorschriften bij het verwijderen van lood aan het einde van de levensduur van het product.

Regionale vereisten

⚠ WAARSCHUWING

Dit product kan u blootstellen aan chemicaliën, waaronder lood. Dit is een stof waarvan de Californische overheid weet dat deze kanker, aangeboren afwijkingen en vruchtbaarheidsproblemen veroorzaakt. Ga voor meer informatie naar

<https://www.p65warnings.ca.gov/>

Veiligheid

NIET WEGGOOIEN - AAN DE GEBRUIKER GEVEN

⚠ WAARSCHUWING Lees alle bij dit product geleverde veiligheidswaarschuwingen, instructies, illustraties en specificaties.

Indien u niet alle instructies hieronder opvolgt, kan dit leiden tot een elektrische schok, brand, schade aan eigendommen en/of ernstig lichamelijk letsel.

Bewaar alle waarschuwingen en instructies, zodat u ze op en later tijdstip kunt raadplegen.

⚠ WAARSCHUWING Alle plaatselijke wettige veiligheidsregels betreffende installatie, bediening en onderhoud moeten altijd in acht worden genomen.

Gebruiksverklaring

- Uitsluitend voor professioneel gebruik.
- Dit product en de accessoires mogen niet gemodificeerd worden.
- Gebruik dit product niet indien het beschadigd is.
- Indien de productgegevens of de gevarenwaarschuwingen op het product onleesbaar zijn of losraken, vervang ze dan onmiddellijk.
- Het product mag uitsluitend worden geïnstalleerd, gebruikt en onderhouden door bevoegde personeel in een industriële assemblage-omgeving.

Beoogd gebruik

Deze motor is ontwikkeld om te worden ingebouwd in een vaste of verplaatsbare machine. De machine is uitsluitend voor draaien naar rechts, uitsluitend voor draaien naar links of

heeft een omkeerbare draairichting en kan uitsluitend gemonteerd worden aan de flens of aan de neus met schroefdraad. Gebruik van een andere aard is verboden.

De kans dat de motor brand veroorzaakt in een potentieel explosieve atmosfeer is uiterst gering. De gebruiker is verantwoordelijk voor het beoordelen van de risico's die horen bij de machine waarin de motor moet worden ingebouwd.

Productspecifieke instructies

Waarschuwing

⚠ WAARSCHUWING Polymerengevaar

De schoepen in dit product bevatten PTFE (een synthetisch fluoropolymeer). Als gevolg van slijtage kunnen er PTFE-deeltjes in het product aanwezig zijn. Als PTFE warm wordt, kunnen er dampen vrijkomen die polymeer-dampkoorts en verschijnselen die op griep lijken veroorzaken, met name wanneer vervuilde tabak wordt gerookt.

Bij het werken met schoepen en andere onderdelen moeten de aanbevelingen op het gebied van gezondheid en veiligheid met betrekking tot PTFE worden opgevolgd:

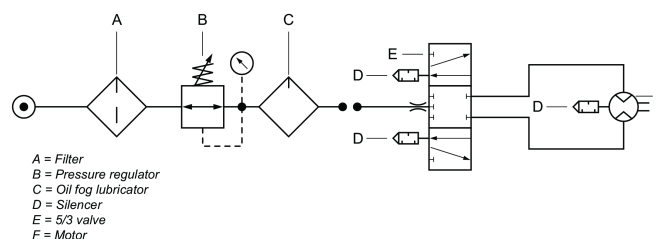
- ▶ Tijdens het uitvoeren van onderhoud aan dit product is roken verboden.
- ▶ PTFE-deeltjes mogen niet in contact komen met vuur, gloeiende deeltjes of warmte
- ▶ Motoronderdelen moeten met een reinigingsmiddel worden gereinigd en niet met een luchtleiding worden doorgespoten.
- ▶ Was uw handen voordat u doorgaat met andere activiteiten

IP-beschermingsgraad

De IP-beschermingsgraad van de luchtmotoren wordt ingesteld onder druk en omvat niet de uitlaat of aangesloten geluiddemper. Als de motor wordt gebruikt terwijl deze ondergedompeld is of met zware waterstralen, wordt het aanbevolen om de uitlaat met een slang van het water weg te leiden. Bij onderdompeling moet de motor altijd met een hogere druk dan de corresponderende diepte onder druk worden gehouden.

Installatiediagram

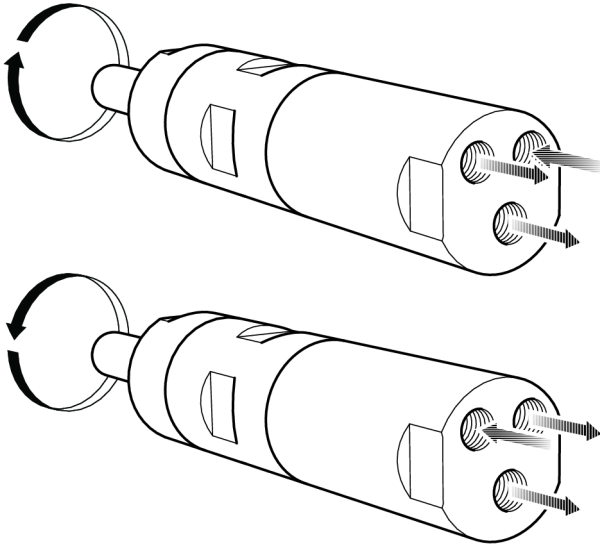
Omkeerbare motor



Luchttoevoer aansluiten

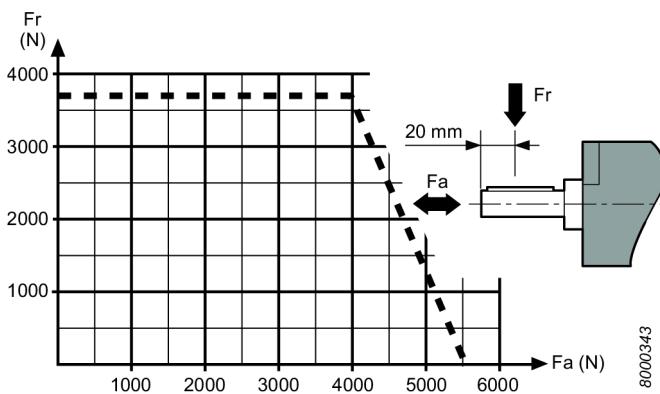
Als de persluchttoevoer is aangesloten op de inlaat, is de draairichting zoals aangegeven in de afbeelding hieronder. Sluit een slang aan op de uitlaat als de uitlaatlucht via een leiding moet worden afgevoerd.

De toevoerleiding voor perslucht moet worden aangesloten op de inlaat die de gewenste draairichting oplevert, zie de afbeelding hieronder. De ongebruikte inlaat werkt als een extra uitlaat en mag niet afgesloten worden.



8015473

Diagram asbelasting

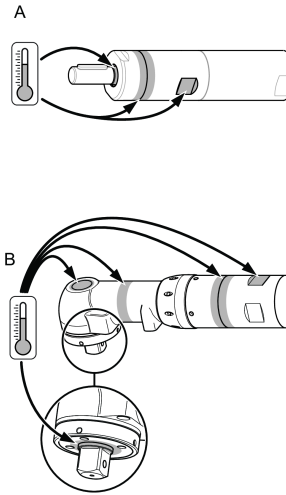


8000343

Hotspots

De volgende hotspots op de motor kunnen tijdens het gebruik zeer heet worden: De afbeelding toont hotspots voor specifieke modellen:

- Afdichtring op de uitgaande as (A, B, C)
- Verbinding tussen voorstuk en starterkrans (A, B)
- Knopgreep (A, B)



002028651

De hoogste temperatuur wordt bereikt wanneer de motor onbelast aan volle druk draait. Met toenemende koppel zal de luchtmotor de rotatiesnelheid en temperatuur verminderen.

Waarschuwing

Zorg ervoor dat u vertrouwd bent met bedieningsinstructies alvorens deze motor te gebruiken.

Deze motor, zijn toebehoren en accessoires mogen enkel gebruikt worden voor het doel waarvoor ze werden ontworpen.

Voor productbetrouwbaarheid en veiligheidsredenen dienen modificaties aan de motor of zijn accessoires, die de productbetrouwbaarheid kunnen beïnvloeden, door de technische deskundige van de fabrikant te worden goedgekeurd.

Lichamelijke letsels en risico's op lange termijn vermijden:

- Indien de motor ATEX gecertificeerd is, dient er een filter/geluidsdemper op de uitlaatpoorten van de motor te worden gemonteerd.

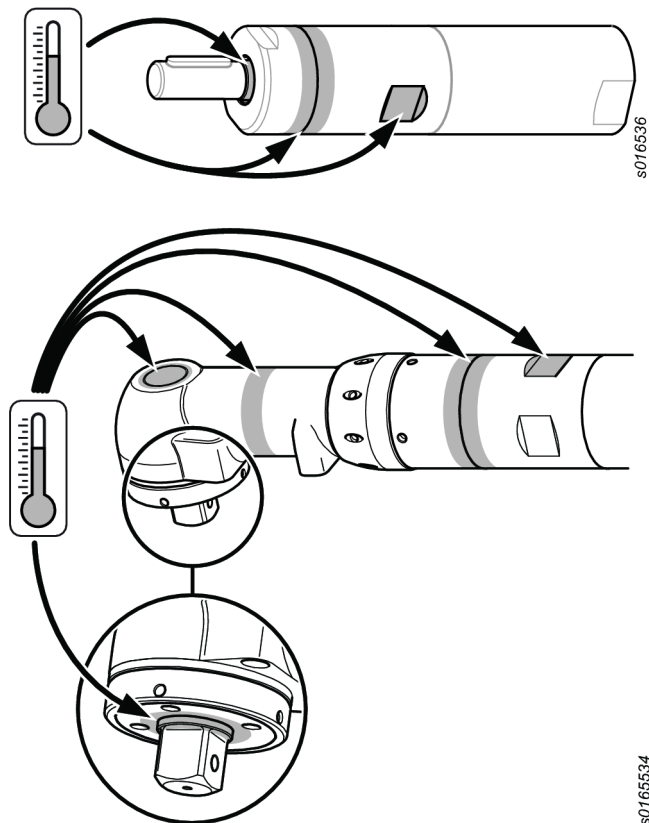
Deze geluidsdempers worden ook voor andere toepassingen aanbevolen, om de lawaai-belasting te verlagen.

- Alvorens u aanpassingen uitvoert, ontkoppel de motor van de luchlijn.
- **Zorg ervoor dat uw handen, haar en kleding uit de buurt blijft van roterende onderdelen.**

Onderhoud

- Onderhoud en reparaties van het ATEX-product dienen uitsluitend door bevoegd personeel te worden uitgevoerd, waarna een test zonder last moet worden uitgevoerd. Daarna dient u temperatuurmetingen uit te voeren. Deze dienen in een rapport te worden geregistreerd.

Na een test zonder belasting van 5 minuten, mag de oppervlaktetemperatuur niet hoger zijn dan de som van $45^{\circ}\text{C} + \text{omgevingstemperatuur}$, waarbij de omgevingstemperatuur tussen $0 - 40^{\circ}\text{C}$ moet zijn.



Algemene veiligheidsinstructies

Gevaar m.b.t. luchttoevoer en luchtleidingen

- Perslucht kan ernstig letsel veroorzaken.
- Schakel de luchttoevoer uit, verwijder lucht uit de leidingen en koppel het gereedschap, wanneer u het niet gebruikt, af van de luchttoevoer alvorens accessoires te verwisselen of reparaties uit te voeren.
- Richt de luchtleiding nooit op uzelf of op een ander.
- Wegschietende slangen kunnen ernstig letsel veroorzaken. Controleer altijd of slangen en hulpstukken onbeschadigd zijn en goed vastzitten.
- Overschrijd de maximale luchtdruk van 6,3 bar / 90 psi, of de waarde op de naamplaat van het gereedschap niet.

Verstrikkingsgevaar

- Blijf uit de buurt van de draaiende aandrijving. Als u loszittende kleding, handschoenen, sieraden, sjaals en haar niet uit de buurt van het gereedschap en accessoires houdt, kan dit leiden tot verstikking, beschadiging van haar en hoofdhuid en/of verwondingen.

Gevaren in verband met wegschietende delen

- Draag altijd slagvaste oog- en gezichtsbescherming wanneer u betrokken bent bij gebruik, reparatie of onderhoud van het gereedschap of bij het vervangen van accessoires op het gereedschap.
- Controleer of anderen in de werkruimte slagvaste oog- en gezichtsbescherming dragen. Zelfs kleine wegschietende voorwerpen kunnen oogbeschadiging en blindheid veroorzaken.
- Zorg ervoor dat elk project waaraan u werkt goed is bevestigd.

Operationele risico's

- Bevestig het gereedschap stevig in de klem.
- Laat het gereedschap volledig stoppen alvorens het project waaraan u werkt te verwijderen.
- Monteer altijd start-, stop- en noodstopbedieningselementen op de machine waarin u de motor/koppelmotor wilt inbouwen.

Geluidsgevaar

- Harde geluiden kunnen leiden tot permanente gehoorschade en andere problemen, zoals tinnitus. Gebruik oorbeschermers die worden aangeraden door uw werkgever of in de reglementen voor welzijn en veiligheid op de werkvloer.
- Voorkom een onnodige toename van het geluid door het gereedschap te gebruiken en onderhouden, en accessoires en verbruiksartikelen te selecteren en onderhouden en vervangen in overeenstemming met de instructies in deze handleiding;

Werkplaatsgevaaren

- Uitglijden, struikelen en vallen zijn belangrijke oorzaken van ernstig lichamelijk letsel of de dood. Let goed op buizen die op het loop- of werkoppervlak liggen.
- Voorkom het inademen van stof of dampen of het hanteren van vuil afkomstig van het werkproces, die schadelijk zijn voor de gezondheid (denk hierbij aan kanker, aangeboren afwijkingen, astma en/of dermatitis). Zuig stof af en draag een stofmasker wanneer u werkt met materialen die deeltjes afgeven aan de lucht.
- Elektrisch schuren, zagen, slijpen, boren en andere bouwactiviteiten creëren stof die chemicaliën bevat die bij de staat Californië bekend staan als elementen die kankerverwekkend zijn, aangeboren afwijkingen veroorzaken of een nadelige invloed op de voortplanting hebben. Voorbeelden van dit soort chemicaliën zijn:
 - Lood uit verf op loodbasis
 - Silicakristallen, cement en andere metselproducten
 - Arsenicum en chroom in rubber dat met chemicaliën is behandeld

In hoeverre u risico loopt, is afhankelijk van de frequentie waarmee u dit soort werkzaamheden uitvoert. Beperk blootstelling aan dit soort chemicaliën als volgt: werk in een goed geventileerde ruimte, werk met goedgekeurde veiligheidsuitrusting, zoals stofmaskers die speciaal ontwikkeld zijn voor het filteren van microscopisch kleine deeltjes.

- Wees voorzichtig wanneer u zich op onbekend terrein bevindt. Zorg dat u zich bewust bent van de potentiële gevaren van uw werkzaamheden. Dit gereedschap is niet geïsoleerd tegen contact met elektrische stroombronnen.

Aanduidingen en stickers

Het product is voorzien van aanduidingen en stickers waarop u belangrijke informatie vindt over persoonlijke veiligheid en productonderhoud. De aanduidingen en stickers zijn altijd goed leesbaar. Nieuwe aanduidingen en stickers kunnen via de lijst met reserveonderdelen worden besteld.



s011050

Informatie ATEX-certificering

Definitie ATEX-code

De ATEX-code is:



Ex II 2 G Ex h IIC T6 Gb

Ex II 2 D Ex h IIIC T85°C Db

$^{\circ}\text{C} \leq T_a \leq 40^{\circ}\text{C}$

Beschrijving	Waarde	Definitie
Apparatuurgroep	II	Opperlaktebewerking
Apparatuurcategorie	2	Hoog beschermingsniveau
Groep II		<ul style="list-style-type: none"> • zone 1 (gas) • zone 2 (gas) • zone 21 (stof) • zone 22 (stof)
Atmosfeer	G	Atmosfeer met gas, dampen of nevel
	D	Atmosfeer met stof
Veiligheid	H	Mechanischproduct
Gasgroep	IIC	Waterstof/ Acetyleen
	IIB	Ethyleen
Stofgroep	IIIC	Ontvlambare oppervlaktestof
Max. oppervlaktetemperatuur in atmosfeer met Gas		T1 = 450 °C T2 = 300 °C T3 = 200 °C T4 = 135 °C T5 = 100 °C T6 = 85 °C
Max. oppervlaktetemperatuur in atmosfeer met Stof		Voorbeeldtemperaturen: T 85 °C T 110 °C T 120 °C T 125 °C T240°C
Bijzondere beperking, bijvoorbeeld omgevingstemperatuurbereik.	X	

Temperaturen

- De maximale, geldige omgevingstemperatuur voor dit certificaat is, is 40 °C.
- 40 °C is ook de maximaal aanvaardbare temperatuur van perslucht die het product ingaat.
- Als het product in apparatuur is gemonteerd, moet de apparatuur als geheel voldoen aan Richtlijn 2014/34/EU.
- Zorg dat de perslucht voldoet aan onze kwaliteitseisen (kwaliteitsklasse 2.4.3. en 3.4.4 respectief 3.5.4 conform ISO/DIS 8573-1:2010).
- Overschrijd de maximale luchtdruk van 6,3 bar of de waarde op de naamplaat van het product niet. Indien de operationele druk wordt overschreden, stijgt de temperatuur van het oppervlak als gevolg van de hogere rotatiesnelheid. Het product kan hierdoor brand veroorzaken.

Ex-classificatie

Indien het product onderdeel is van een montage die onderdelen bevat met verschillende Ex-classificaties, is het onderdeel met het laagste veiligheidsniveau bepalend voor de Ex-classificatie voor de gehele montage.

Richtlijnen ter voorkoming van explosies

Reinheid

- Zorg dat het product vrij van vuil en stof is om een hoge lager- en oppervlaktetemperatuur te voorkomen.
- Indien een geluiddemper wordt gebruikt: Gebruik een demper met een filterend effect bij de luchtuitlaat om te voorkomen dat door frictie verwarmde deeltjes in de lucht terechtkomen.

Gebruik

- Controleer of het product aarding heeft met het equipotentiaal verbindingssysteem van de werkplaats, bijvoorbeeld via geschikte accessoires zoals slangen en luchtdrukaansluitingen.
- Het is de verantwoordelijkheid van de gebruiker om te controleren of alle mogelijke accessoires voor het product, zoals sleutels en luchtaansluitingen, voldoen aan de landelijke veiligheidsrichtlijnen voor uitrusting die wordt gebruikt in ruimtes met explosiegevaar.

Nuttige informatie

Website

Informatie betreffende onze producten, accessoires, reserveonderdelen en pucliaties is te vinden op de website van Atlas Copco.

Ga naar: www.atlascopco.com.

ServAid

ServAid is een portaal dat voortdurend wordt bijgewerkt en technische informatie bevat, zoals:

- - Reglementaire en veiligheidsinformatie

- Technische gegevens
- Installatie-, gebruiks- en onderhoudsinstructies
- Lijsten met reserveonderdelen
- Accessoires
- Maattekeningen

Ga naar: <https://servaid.atlascopco.com>.

Neem voor meer informatie contact op met uw lokale onderhoudsvertegenwoordiger van Atlas Copco.

Tekniske data

Tekniske data

Bestillingsnr.	8411046413
Model	LZB46-L-AR0004-11
Luftforbrug ved maks. kapacitet	14 l/s
Luftforbrug ved maks. kapacitet	29.7 cfm
Bremsemoment	Nm
Bremsemoment	ft lb
Indbygget bremse	No
Eksterne dele, materiale	Hardened steel/Aluminium
Fri hastighed	35 o./min.
Maks. kapacitet	0.59 kW
Maks. kapacitet	0.79 hk
Min. startmoment	388 Nm
Min. startmoment	286 ft lb
Forhold	
Gearforhold	
Rotationsretning	Reversible
Akselbelastningskode	h
Akseltype	Keyed
Hastighed ved maks. kapacitet	20 o./min.
Stallingsmoment	574 Nm
Stallingsmoment	423 ft lb
Moment ved maks. kapacitet	287 Nm
Moment ved maks. kapacitet	212 ft lb
Vingetype	Lubrication free
Vægt	4.9 kg
Vægt	10.8 lb
Indsugningslange	10 mm
Indsugningslange	0.4 in
Kapslingsgrad	IP66
Udløbsslange	16 mm
Udløbsslange	0.6 in

IP-klasse

Luftmotorernes IP-klassificering henviser til det mekaniske hus ifølge IEC 60529-standarden. IP-klassificeringen dækker ikke korrosionsbestandighed eller andre væsker end rent ferskvand.

Erklæringer

EU-INKORPORERINGSERKLÆRING

Vi, **Atlas Copco Industrial Technique AB**, SE-105 23 STOCKHOLM SWEDEN, erklærer, under eneansvar, at dette produkt (med navn, type og serienummer, se forsiden) lever op til følgende væsentlige krav i Maskindirektivet 2006/42/EF:

2006/42/EC (Annex I, clauses 1.1, 1.2 (excluding 1.2.4.3), 1.3, 1.4, 1.5, 1.6, 1.7)

Og at denne delvist færdige maskine opfylder bestemmelserne i følgende andet/andre EU-direktiv(er): 2014/34/EU (ATEX)

Denne delvist færdige maskine må ikke sættes i drift, før den endelige maskine, som den skal inkorporeres i, er blevet erklæret i overensstemmelse med bestemmelserne i Maskindirektivet 2006/42/EU, hvor dette er relevant.

De følgende (dele af de/klausuler i de) harmoniserede europæiske standarder er blevet anvendt:

EN 1127-1:2019, EN ISO 12100:2010, EN ISO 80079-36:2016, EN ISO 80079-37:2016

Al relevant teknisk dokumentation er udarbejdet og blev meddelt iht. Maskindirektivet 2006/42/EF, Tillæg VII, afsnit B og ATEX Direktivet 2014/34/EU Paragraf 13 (1) b) ii i det bemyndigede organ ExVeritas ApS (EU Identifikationsnr. 2804) i Danmark. Myndigheder kan rekvirere den tekniske rapport til ATEX direktiv 2014/34/EU fra:

<https://www.exveritas.com/2022/02/02/what-you-need-for-atex-and-ukca-explosive-atmosphere-certification-for-the-uk-and-eu-markets/>

Stockholm, 1 September 2023

Håkan Andersson, Managing Director

Udgiverens underskrift



Oplysninger om artikel 33 i REACH

Den europæiske forordning (EU) nr. 1907/2006 om registrering, vurdering og godkendelse af samt begrænsninger for kemikalier (REACH) definerer blandt andet krav til kommunikation i forsyningskæden. Oplysningskravet gælder også for produkter, der indeholder såkaldte særligt problematiske stoffer ("kandidatlisten"). Den 27. juni 2018 blev blymetal (CAS nr. 7439-92-1) føjet til kandidatlisten.

I overensstemmelse med ovenstående skal vi meddele dig, at visse mekaniske komponenter i produktet kan indeholde bly-metal. Dette er i overensstemmelse med gældende lovgivning om stofbegrænsning og baseret på legitime undtagelser i RoHS-direktivet (2011/65/EU). Blymetal lækker og muterer ikke fra produktet ved normal brug, og koncentrationen af blymetal i det komplette produkt ligger langt under den gældende grænseværdi. Tag hensyn til lokale krav vedrørende bortskaffelse af bly ved slutningen af produktets levetid.

Regionale krav

⚠ ADVARSEL

Dette produkt kan udsætte dig for kemikalier og bly, som af staten Californien regnes for at være kræftfremkaldende og kan føre til fosterskader og andre reproduktionsskader. For yderligere oplysninger, gå til

<https://www.p65warnings.ca.gov/>

Sikkerhed

KASSÉR IKKE DETTE - GIV DET TIL BRUGEREN

⚠ ADVARSEL Læs alle sikkerhedsadvarsler, anvisninger, illustrationer og specifikationer, der følger med dette produkt.

Hvis ikke alle instruktionerne følges, kan det føre til elektrisk stød, brand, skade på ejendom og/eller alvorlige kvæstelser.

Gem alle advarsler og instruktioner til fremtidig brug.

⚠ ADVARSEL Alle lokalt gældende sikkerhedsforskrifter omhandlende installation, drift og vedligeholdelse skal altid overholdes.

Anvendelseserklæring

- Kun til professionel brug.
- Dette produkt og produktets tilbehør må ikke modificeres på nogen måde.
- Dette produkt må ikke bruges, hvis det er beskadiget.
- Hvis mærkaterne om produktdata eller advarsler på værktøjet ikke længere kan læses eller falder af, skal der straks sættes nye på.
- Produktet må kun installeres, betjenes og serviceres af en kvalificeret person i et industriområde.

Tilsigtet brug

Denne motor er konstrueret til at blive inkorporeret i en fastmonteret eller bevægelig maskine. Den er beregnet alene til højrotation, alene til venstrerotation eller reversibel rotation, og bør kun monteres ved flangen eller den gevindskårne spids som relevant. Ingen anden anvendelse er tilladt.

Risikoen for, at motorer udgør tændingskilden i en potentielt eksplosiv atmosfære, er særdeles lille. Brugeren er ansvarlig for vurdering af risikoen i forbindelse med hele maskinen, som motoren skal inkorporeres i.

Produktspecifikke instrukser

Advarsel

⚠ ADVARSEL Polymerfare

Lamellerne i dette produkt indeholder PTFE (et syntetisk fluoropolymer). På grund af slid kan der være PTFE-partikler inden i produktet. Opvarmet PTFE kan det danne dampe, som kan give polymerrøgsfeber med influenza-lignende symptomer, især ved rygning af kontamineret tobak.

Helbreds- og sikkerhedsanbefalingerne for PTFE skal følges ved håndtering af lamellerne og andre komponenter:

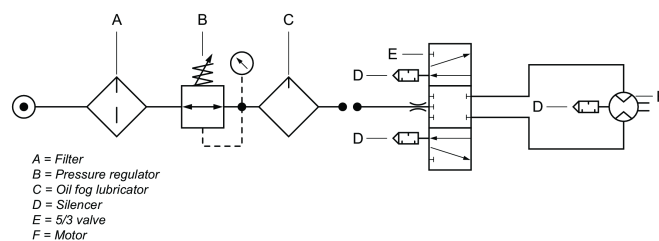
- ▶ Rygning er forbudt under arbejde med dette produkt
- ▶ PTFE-partiklerne må ikke komme i kontakt med åben ild, gnister eller varme
- ▶ Motorkomponenterne skal vaskes med rensesvæske og må ikke blæses rene med luftslange
- ▶ Vask hænderne, før du påbegynder andre aktiviteter

IP-klasse

Luftmotorernes IP-klasse hører under trykforhold og omfatter ikke stikkontakten eller den medfølgende lyddæmper. Hvis motoren bruges nedsænket i væske eller under kraftige vandstråler, anbefales det at føre stikkontakten væk fra vandet med en slange. Når motoren er nedsænket, skal den altid holdes under et højere tryk end den tilsvarende dybde.

Installationsskema

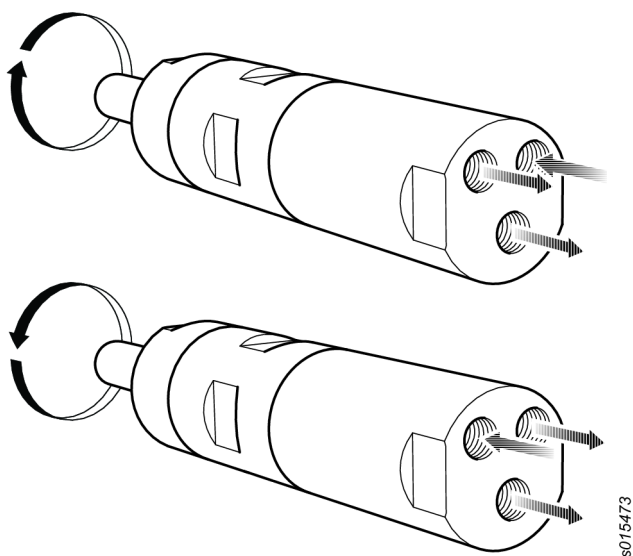
Reverserbar motor



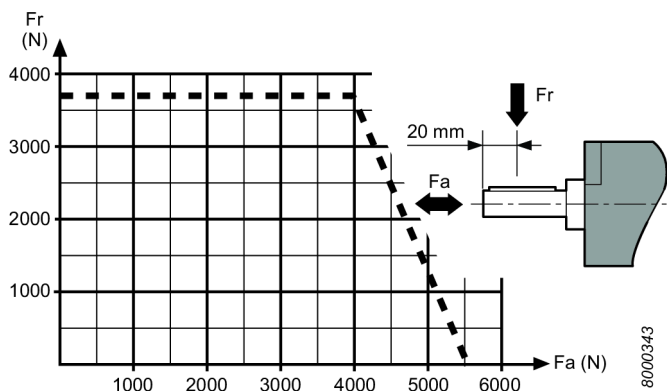
Tilslutning af lufttilførslen

Når tryklufttilførslen er forbundet til indtaget, vil rotationsretningen være som vist på figuren herunder. Hvis udblæsningsluften skal ledes væk, skal der tilsluttes en slange til udblæsningsudtaget.

Tryklufttilførslen skal tilsluttes det tilsvarende indtag til den ønskede rotationsretning, se figuren herunder. Det indtag, der ikke er i brug, fungerer som et ekstra udtag og må ikke tilstoppes.



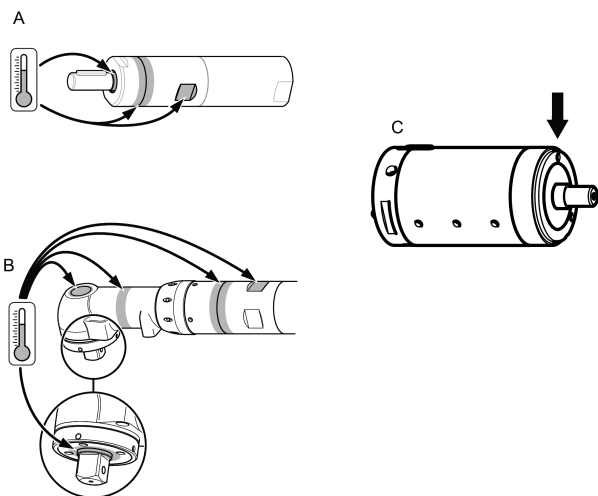
Akselbelastningsdiagram



Varmepunkter

Følgende hotspots på motoren kan nå høje temperaturer under drift. Billedet viser hotspots for specifikke modeller:

- Pakring på udgangsakslen (A, B, C)
- Led mellem forreste del og gearing (A, B)
- Nøglegreb (A, B)



De højeste temperaturer opnås, når motoren kører ved fuldt tryk uden belastning. Ved stigende moment reducerer luftmotoren rotationshastigheden og temperaturen.

Advarsel

Sæt dig ind i driftsinstruktionerne, før du bruger denne motor. Motoren samt dens tilbehør og ekstraudstyr må kun bruges til det tiltænkte formål.

Af hensyn til produktansvar og sikkerhed skal alle ændringer af motoren eller dens tilbehør, som måtte påvirke produktansvaret, godkendes af producentens tekniske afdeling.

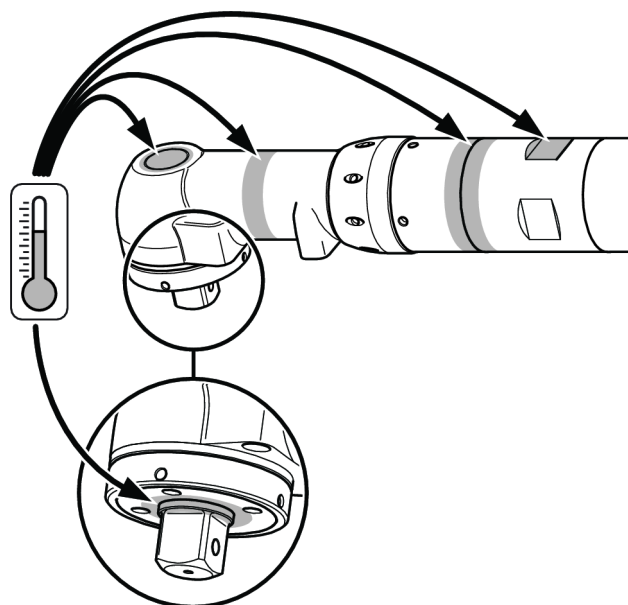
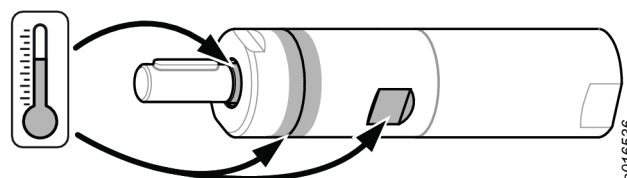
Forebyggelse af personskade og risici over lang tid:

- Hvis motoren er ATEX-certificeret, skal der monteres filter/lyddæmpere på motorens udgangsporte.
Dæmpere anbefales også til andre anvendelsesområder for at reducere støjbelastning.
- Før der foretages nogen form for justering, skal motorens kobles fra luftforsyningen.
- **Hold altid hænder, hår og tøj væk fra roterende dele.**

Vedligeholdelse

- Vedligeholdelse og reparation af dette ATEX-produkt skal alene udføres af autoriseret personale, hvorefter en tomgangsprøvning samt temperaturmålinger på hotspots (som vist på figuren) skal gennemføres og anføres i en rapport.

Efter en 5 min. test uden belastning, må overfladetemperaturen ikke overskride summen af 45°C + omgivende temperatur, hvor den omgivende temperatur kan variere mellem 0 – 40°C.



Generelle sikkerhedsanvisninger

Faremoment: trykluft og tilslutning

- Luft under tryk kan forårsage alvorlig tilskadecomst.
- Sluk altid for lufttilførslen, tag trykket af slangen, og kobl værktøjet fra, når det ikke benyttes, og der skiftes tilbehør eller foretages reparation.
- Vend aldrig luft mod dig selv eller andre.
- Piskende slanger kan forårsage alvorlig personskade. In-spicer altid for beskadigede og løse slanger og fittings.
- Lufttrykket må aldrig overstige 6,3 bar/90 psig, eller som angivet på værktøjets fabriksskilt.

Indviklingsfare

- Hold afstand til roterende dele. Man kan blive kvalt, skalperet og/eller sønderrevet, hvis løstsiddende tøj, handsker, smykker, halsklude og hår ikke holdes væk fra værktøj og tilbehør.

Fare for udslyngede genstande

- Brug altid slagfast øsen- og ansigtssværm under eller nær arbejdet, reparation eller vedligeholdelse af værktøjet eller udskiftning af tilbehør på værktøjet.
- Sørg for, at alle andre i området benytter slagfast øsen- og ansigtssværm. Selv små udslyngede genstande kan skade øjne og forårsage blindhed.
- Se efter, om arbejdsområdet sidder sikkert fast.

Driftsfarer

- Sæt værktøjet sikkert i tvinge.
- Sørg for, at værktøjet er helt standset, før du fjerner emnet.
- Monter altid start-, stop- og nødstopknapper på maskinen, som motoren/momentmotoren inkorporeres i.

Støjfarer

- Høje lydniveauer kan give permanent høretab og andre problemer som f.eks. tinnitus. Der skal altid bruges hørevern, som anbefalet af din arbejdsgiver eller i gældende arbejdsmiljøbestemmelser.
- Du kan forebygge stigninger i støjniveauerne ved at betjene og vedligeholde værktøjet, vælge, vedligeholde og udskifte tilbehør og forbrugsvarer som beskrevet i denne instruktionsbog.

Farer på arbejdspladsen

- En af de hyppigste årsager til alvorlig og livsfarlig personskade er, at man glider, snubler eller flader. Vær opmærksom på slanger, der er efterladt på gulvet.
- Undgå indånding af støv eller håndtering af affald fra de arbejdsprocesser, som kan være skadelige for dit helbred (f.eks. cancer, fostermisdannelser, astma og/eller dermatitis). Brug et udsugningsanlæg, og brug beskyttende respirationsudstyr, når du arbejder med materialer, der frembringer luftbårne partikler.
- En del støv, som frembringes ved pudning, savning, slibning, boring og andre byggeaktiviteter indeholder kemikalier, hvorom delstaten Californien ved, at de forårsager cancer, fostermisdannelser og anden reproduktiv skade. Nogle eksempler på sådanne kemikalier er:
 - Bly fra blyholdig maling

- Silikatkrystalholdige mursten, cement og andre murværksprodukter
- Arsenik og krom fra kemisk behandlet gummi

Risikoen ved udsættelse for disse stoffer varierer, afhængigt af hvor ofte du udfører denne slags arbejde. Du kan mindske udsættelse for disse kemikalier ved at gøre følgende: Udfør arbejdet i et område med god ventilation og brug godkendt sikkerhedsudstyr såsom støvmasker, der er specielt godkendt til at bortfiltrere mikroskopiske partikler.

- Udvis forsigtighed i ukendte omgivelser. Vær opmærksom på mulige faremomenter, der kan opstå som følge af arbejdets udførelse. Dette værktøj er ikke isoleret fra at komme i kontakt med elektriske strømkilder.

Symboler og mærkater

Produktet er monteret med skilte og mærkater med vigtig information om din personlige sikkerhed og vedligeholdelse af produktet. Skiltene og mærkaterne skal altid være nemme at læse. Nye skilte og mærkater kan bestilles på reservedelslisten.



s011050

Oplysninger om ATEX-certificering

ATEX-kodedefinition

ATEX-koden er:



Ex II 2 G Ex h IIC T6 Gb

Ex II 2 D Ex h IIIC T85°C Db

°C ≤ Ta ≤ 40 °C

Beskrivelse	Værdi	Definition
Udstyrsgruppe	II	Overfladebranchen
Udstyrskategori	2	Højt beskyttelsesniveau
Gruppe II		<ul style="list-style-type: none"> • zone 1 (gas) • zone 2 (gas) • zone 21 (støv) • zone 22 (støv)
Atmosfære	G	Atmosfære der indeholder gas, dampe eller tåge
	D	Atmosfære der indeholder støv
Sikkerhedsdesign	t	Mekanisk produkt
Gasgruppe	IIC	Hydrogen/ Acetylen
	IIB	Ætylen
Støvgruppe	IIIC	Brandfarligt støv

Beskrivelse	Værdi	Definition
Maks. overflade-temperatur i Gas atmosfære		T1 = 450 °C
		T2 = 300 °C
		T3 = 200°C
		T4 = 135 °C
		T5 = 100°C
		T6 = 85°C
Maks. overflade-temperatur i Støv atmosfære		Eksempeltemperaturer:
		T85 °C
		T110 °C
		T120 °C
		T125 °C
	T240 °C	
Særlige restriktioner, såsom omgivende temperatur-område.	X	

Temperaturer

- Maks. omgivende temperatur, som certifikatet gælder for er 40° C.
- 40° C er ligeledes kompressorluftens maksimalt tilladte temperatur, når den kommer ind i produktet.
- Hvis produktet monteres i udstyr, skal alt udstyret overholde retningslinjerne i 2014/34/EF.
- Sørg for, at tryklufften opfylder vores kvalitetskrav (henholdsvis kvalitetsklasse 2.4.3. og 3.4.4 og 3.5.4 iht. ISO/DIS 8573-1:2010).
- Lufttrykket må aldrig overstige 6,3 bar, eller som angivet på værktøjets fabriksskilt. Hvis driftstrykket overskrides, kan det øge overfladetemperaturen som resultat af højere rotationshastighed, og produktet kan så udgøre en tændingskilde.

Ex-klassificering

Hvis produktet udgør en del af en enhed, hvor komponenterne har forskellig Ex-klassificering, definerer komponenten med det laveste sikkerhedsniveau Ex-klassificeringen for hele enheden.

Eksplodingsforebyggende retningslinjer

Renlighed

- Sørg for, at produktet holdes rent for støv og snavs for at forebygge øget leje- og overfladetemperatur.
- Hvis der anvendes lyddæmper: Sørg for, at der monteres en lyddæmper med en filtreringseffekt på luftudtaget for at forhindre friktionsopvarmede partikler i at komme ind i den omgivende atmosfære.

Anvendelse

- Sørg for, at produktet jordforbindes til værkstedets ækvipotentialbindesystem f.eks. gennem egnet tilbehør som f.eks. slanger og tryklufftforbindelser.
- Det er brugerens ansvar at sikre, at produktet samt alt muligt tilbehør til værktøjet som f.eks. nøgler og luftforbindelser, opfylder de nationale sikkerhedsregler for udstyr, der anvendes på eksplosionsfarlige steder.

Nyttig information

Website

Information om vores produkter, tilbehør, reservedele og publikationer kan findes på vores websted for Atlas Copco.

Gå ind på: www.atlascopco.com.

ServAid

ServAid er en portal, der løbende opdateres og indeholder teknisk information, såsom:

- - Oplysninger om lovgivning og sikkerhed
- Tekniske data
- Installations-, betjenings- og servicevejledninger
- Reservedelslister
- Tilbehør
- Måltegninger

Gå ind på: <https://servaid.atlascopco.com>.

Kontakt din lokale Atlas Copco-præsentant for yderligere information.

Tekniske data

Teknisk informasjon

Bestillingsnr.	8411046413
Modell	LZB46-L-AR0004-11
Luftforbruk ved maks effekt	14 l/s
Luftforbruk ved maks effekt	29.7 cfm
Bremsemoment	Nm
Bremsemoment	ft lb
Innebygget bremse	No
Eksterne delemateriale	Hardened steel/Aluminium
Tomgang	35 o/min
Maks effekt	0.59 kW
Maks effekt	0.79 hk
Min startmoment	388 Nm
Min startmoment	286 ft lb
Forhold	
Girforhold	
Rotasjonretning	Reversible
Akselbelastningskode	h
Akseltype	Keyed
Hastighet ved maks effekt	20 o/min

Stansmoment	574 Nm
Stansmoment	423 ft lb
Moment ved maks effekt	287 Nm
Moment ved maks effekt	212 ft lb
Ventiltipe	Lubrication free
Vekt	4.9 kg
Vekt	10.8 lb
Inntaksslange	10 mm
Inntaksslange	0.4 in
IP-grad	IP66
Utslippsslange	16 mm
Utslippsslange	0.6 in

IP-gradering

IP-graderingen av luftmotorene henviser til de mekaniske innfatningene i henhold til IEC 60529 standarden. IP-graderingen dekker ikke korrosjonsmotstand eller andre væsker enn rent ferskvann.

Erklæringer

EU-SAMSVARERKLÆRING

Vi **Atlas Copco Industrial Technique AB**, SE-105 23 STOCKHOLM SWEDEN, erklærer under vårt eneste ansvar at utformingen av produktene (med navn, type og serienummer, se forsiden) oppfyller følgende viktige krav i Maskindirektivet 2006/42/EF:

2006/42/EC (Annex I, clauses 1.1, 1.2 (excluding 1.2.4.3), 1.3, 1.4, 1.5, 1.6, 1.7)

Og at denne delvis fullførte maskinen er i samsvar med bestemmelsene i følgende andre Eu-direktiv(er):
2014/34/EU (ATEX)

Det ovenfornevnte delvis fullførte maskineriet må ikke tas i drift inntil det endelige maskineriet som det skal bygges inn i har blitt erklært å være i samsvar med kravene i Maskindirektivet 2006/42/EF, der det er aktuelt.

De følgende (deler/klausuler i) europeiske harmoniserte standarder gjelder:

EN 1127-1:2019, EN ISO 12100:2010, EN ISO 80079-36:2016, EN ISO 80079-37:2016

Den aktuelle tekniske dokumentasjonen ble sammenstilt og ble kommunisert i henhold til maskindirektiv 2006/42/EC del B i vedlegg VII og ATEX-direktiv 2014/34/EU artikkel 13 (1) b) ii i varslet organ ExVeritas ApS (EU-identifikasjonsnummer 04 2804) i Danmark. Myndigheter kan be om den tekniske filen for ATEX-direktivet 2014/34/EU i papirutgave fra:

<https://www.exveritas.com/2022/02/02/what-you-need-for-atex-and-ukca-explosive-atmosphere-certification-for-the-uk-and-eu-markets/>

Stockholm, 1 September 2023

Håkan Andersson, Managing Director

Utstederens signatur



Informasjon angående artikkel 33 i REACH

Den Europeiske reguleringen (EU) Nr. 1907/2006 som gjelder registrering, evaluering, autorisasjon og restriksjon av kjemikalier (REACH) definerer, blant annet, krav relatert til kommunikasjon i leveransekjeden. Informasjonskravet gjelder også produkter som inneholder såkalte stoffer av meget høy bekymring ("Kandidatlisten"). Den 27.juni, 2018 ble blymetall (CAS nr 7439-92-1) lagt til kandidatlisten.

I henhold med det ovenstående er dette for å informere deg om at visse mekaniske komponenter i produktet kan inneholde blymetall. Dette er i samsvar med den gjeldende lovgivningen som gjelder restriksjoner av stoffer og basert på legitime unntak i RoHS direktivet (2011/65/EU). Blymetall vil ikke lekke eller muteres fra produktet under vanlig bruk og konsentrasjonen av blymetall i det komplette produktet er godt under den gjeldende terskelgrensen. Se over lokale krav angående avhending av bly når produktets brukstid er utløpt.

Regionale krav

⚠ ADVARSEL

Dette produktet kan utsette deg for kjemikalier inkludert bly, noe den amerikanske staten California regner som kreftfremkallende, som årsak til fosterskader og på andre måter som skadelig for forplantningsprosessen. For mer informasjon besøkes

<https://www.p65warnings.ca.gov/>

Sikkerhet

KAST IKKE BORT - GI TIL BRUKER

⚠ ADVARSEL Les alle sikkerhetsadvarslene, instruksjoner, illustrasjoner og spesifikasjoner som medfølger dette produktet.

Dersom du ikke følger instruksjonene under, kan det føre til elektrisk støt, brann og/eller alvorlige skader.

Ta vare på alle advarsler og anvisninger for fremtidig bruk.

⚠ ADVARSEL Alle lokale, lovbestemte sikkerhetsregler vedrørende installasjon, operasjon og vedlikehold skal overholdes til enhver tid.

Brukserklæring

- Kun til profesjonell bruk.
- Dette produktet og dets tilbehør må ikke på noen måte modifiseres.
- Ikke bruk dette produktet hvis det har blitt skadet.

- Dersom dataverktøyet eller farevarselskiltene på produktet ikke lenger er leselige eller løsner, må disse skiftes ut umiddelbart.
- Produktet må kun installeres, brukes og vedlikeholdes av en kvalifisert person i et industrielt monteringsmiljø.

Tiltenkt bruk

Denne motoren er konstruert til å bygges inn i en fast eller bevegelig maskin. Den er enten kun til høyre-rotasjon, venstre-rotasjon eller revers rotasjon og skal monteres kun ved flensen eller gjenget nese, avhengig av det som passer. Annen bruk er ikke tillatt.

Risikoen for at motorer er antenningskilde i en potensielt eksplosiv atmosfære er ekstremt liten. Brukeren er ansvarlig for å vurdere risikoene som er tilknyttet hele maskinen som motoren skal bygges inn i.

Produktspesifikke instruksjoner

Advarsel

⚠ ADVARSEL Polymerfare

Skovlene i dette produktet inneholder PTFE (en syntetisk fluorpolymer) På grunn av slitasje kan det finnes PTFE-partikler inne i produktet. Hvis det blir varmet opp, kan PTFE-damp føre til polymerdampfeber med influensaliknende symptomer, særlig ved røyking av forurenset tobakk.

Helse- og sikkerhetsanbefalingene for PTFE må følges når du håndterer skovler og andre komponenter:

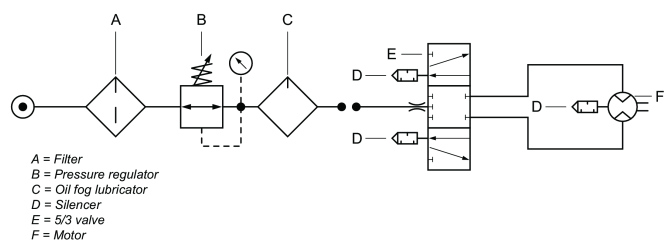
- ▶ Ikke røyk når du foretar service på dette produktet
- ▶ PTFE-partiklene må ikke komme i kontakt med åpen flamme, glør eller varme
- ▶ Motorkomponentene må vaskes med rensesvæske og ikke blåses ren med trykkluft
- ▶ Vask hendene dine før du begynner med noen annen aktivitet

IP-grad

IP-graden av luftmotorene er innstilt under trykksatte betingelser og ekskluderer avsugnet eller den festede lyd demperen. Om motoren vil drives nedsunket i vann eller i kraftige vannstråler, er det anbefalt å lede avsugnet bort fra vann med en slange. Når den er nedsenket, hold alltid motoren trykksatt med et høyere trykk enn den tilsvarende dybden.

Installasjonsdiagram

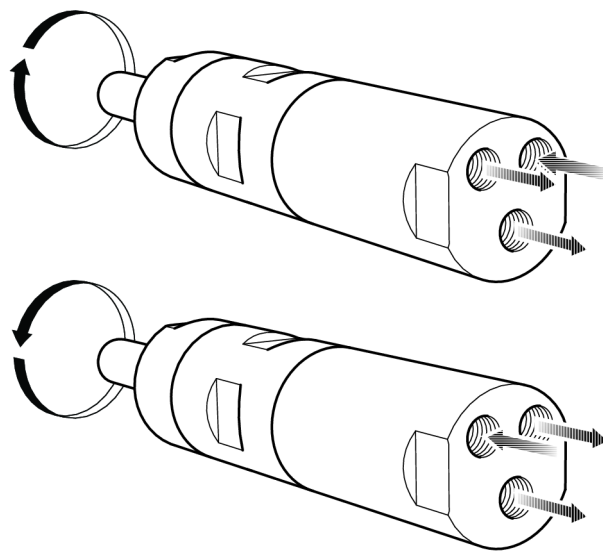
Reversibel motor



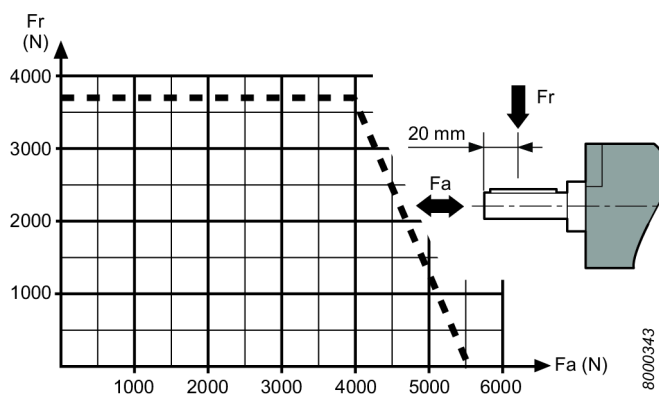
Tilkobling av luftforsyningen

Når trykkluftforsyningen er tilkoblet inngangen, vil rotasjonsretningen være slik som vist i figuren nedenfor. Hvis utslippsluften skal føres bort i rør, skal en slange kobles til utslipp-utgangen.

Trykkluftforsyningen skal være tilkoblet den tilhørende inngangen for ønsket rotasjonsretning, se figuren nedenfor. Inngangen som ikke er i bruk, fungerer som en ekstra utgang og må ikke tilstoppes.



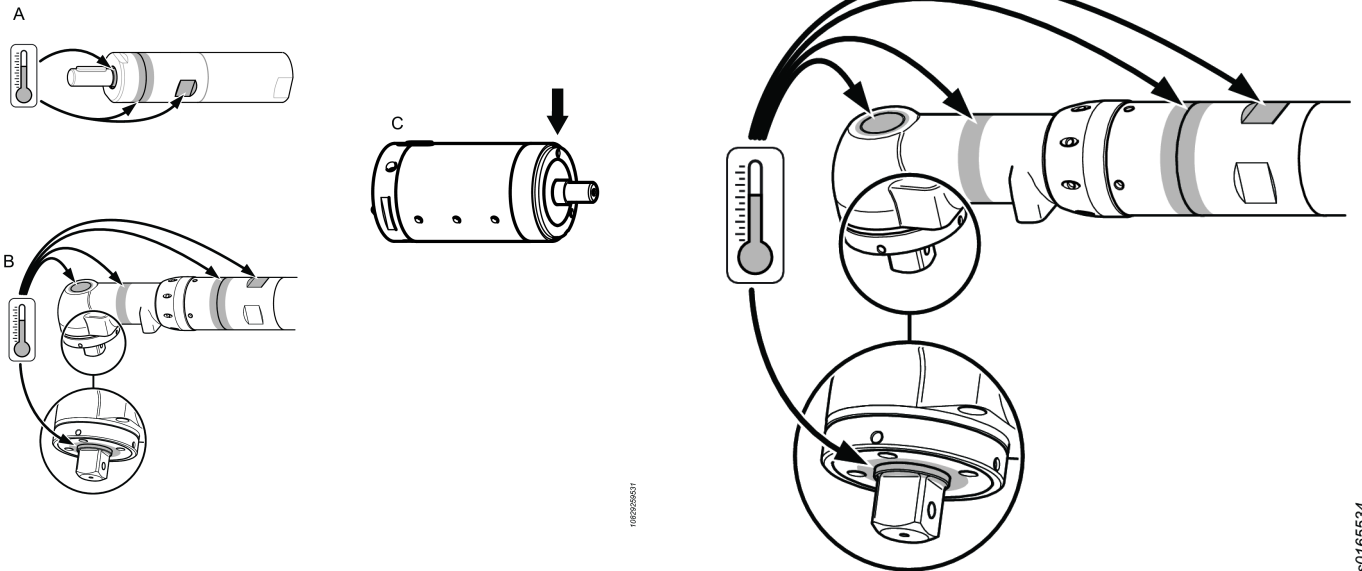
Aksellastdiagram



Varme punkter

De følgende varmepunktene på motoren kan nå høye temperaturer i løpet av drift. Bildet viser varmepunktene for de spesifikke modellene:

- Tetningsring ved utmatingsakselen (A, B, C)
- Ledd mellom fremre del og girring (A, B)
- Nøkkelgrep (A, B)



De høyeste temperaturene oppstår når motoren kjører ved fullt trykk uten belastning. Ved økende moment reduserer luftmotoren rotasjonshastigheten og temperaturen.

Advarsel

Sørg for at du gjør deg kjent med driftsanvisningene før du tar i bruk denne motoren.

Denne motoren, vedlegg og tilbehør skal kun brukes til det formålet de er utformet til.

For produktansvar og sikkerhetsmessige årsaker må enhver modifisering på motoren og dets tilbehør, som kan ha innvirkning på produktansvar, være avtalt med teknisk ansvarlig hos produsenten.

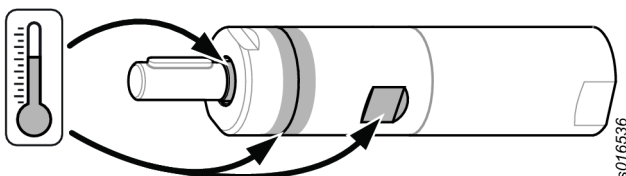
For å forhindre personlig skade og langsiktige farer:

- Hvis motoren er ATEX-sertifisert, må filter/lyddempere være installert ved motorutslippsåpningene.
Lyddempere anbefales også for andre bruksområder for å redusere støyeksponeringen.
- Koble motoren fra luftlinjen før det foretas noen justeringsoperasjon.
- **Vær forsiktig med hender, hår og klær - hold alltid god avstand fra roterende deler.**

Vedlikehold

- Vedlikehold og reparasjoner av dette ATEX-produktet må utføres utelukkende av autorisert personale, og etter dette må det utføres en test uten belastning, og temperaturmålinger av varmpunkter (som sett på figuren) må utføres og registreres i en rapport.

Etter en 5 min test uten belastning må overflatetemperaturen ikke overskride summen til 45°C + overflatetemperatur, der den omgivende temperaturen kan variere mellom $0 - 40^{\circ}\text{C}$.



Generelle sikkerhetsinstruksjoner

Farer forbundet med trykkluftbeholdere og -koblinger

- Luft under trykk kan forårsake alvorlige helseskader.
- Før du skifter tilbehør eller utfører reparasjoner, eller når trykkluftskilden ikke brukes, skal lufttilførselen alltid stenges av, trykk i slangen skal elimineres og verktøyet skal koples fra lufttilførselen.
- Rett aldri trykkluftstrålen mot deg selv eller andre.
- Slinger som slår tilbake kan forårsake alvorlig skade. Kontroller alltid for skadde eller løse slanger og koblingsdeler.
- Det maksimale lufttrykket må ikke overstige 6,3 bar/90 psig, eller som angitt på verktøyets typeskilt.

Farer med sammenfloking

- Hold deg unna drivspindler. Kveling/skalpering og/eller sår kan oppstå hvis løse klær, hansker, smykker, hal-skleder og hår ikke holdes unna verktøy og tilbehør.

Farer forbundet med prosjektiler

- Bruk alltid slagfast øye- og ansiktsbeskyttelse når du bruker eller er i nærheten av arbeidsområdet, ved reparasjon eller vedlikehold av verktøyet, eller når du skifter tilbehør på verktøyet.
- Sørg for at alle andre innenfor arbeidsområdet bruker slagfast øye- og ansiktsbeskyttelse. Selv små prosjektiler kan skade øynene og forårsake blindhet.
- Se til at arbeidsstykket er godt festet.

Farer under drift

- Klem verktøyet godt fast.
- Se til at verktøyet har stoppet helt før du fjerner arbeidet.
- Monter alltid start-, stopp- og nødstoppkontroller på maskinen som motoren/momentmotoren skal bygges inn i.

Støyfarer

- Høye lydnivåer kan forårsake varig hørselstap og andre problemer, slik som tinnitus. Bruk hørselsvern som anbefalt av arbeidsgiver eller helse- og sikkerhetsforskrifter på arbeidsplassen.
- For å forhindre unødvendige økninger av støynivåer sørg for at bruk og vedlikehold av verktøyet, samt utvalg, vedlikehold og utskiftning av tilbehør og forbruksvarer, skjer i henhold til denne bruksanvisningen.

Farer på arbeidsplassen

- Å skli/snuble/falle er en hyppig årsak til alvorlig skade eller død. Vær oppmerksom på overflødig deler av slangen på bakken der man går eller arbeider.
- Unngå å puste inn støv eller damp og å håndtere helseskadelige avfallsprodukter fra arbeidsprosessen (som kan forårsake for eksempel kreft, fødselsdefekter, astma og/eller dermatitt). Bruk støvavsug og pusteutstyr når du arbeider med materialer som avgir luftbårne partikler.
- Enkelte typer støv som frigjøres ved sandblåsing, saging, sliping, boring og andre byggeaktiviteter inneholder kjemikalier som den amerikanske staten California regner som kreftfremkallende, som årsak til fosterskader og på andre måter skadelig for forplantningsprosessen. Dette er noen eksempler på slike kjemikalier:
 - Bly fra blyholdig maling
 - Blokker av krystallinsilika, sement og andre murprodukter
 - Arsenikk og krom fra kjemikaliebehandlet gummi

Den helsefaren som utgår fra slike produkter varierer, avhengig av hvor ofte du utfører denne type arbeid. For å redusere din eksponering for disse kjemikaliene: Jobb alltid på et godt ventilert område, bruk godkjent sikkerhetsutstyr som f.eks. støvmasker som er spesielt utviklet for å filtrere bort mikroskopiske partikler.

- Gå varsomt frem i uvante omgivelser. Vær oppmerksom på eventuelle farer som skapes av arbeidsaktiviteten. Dette verktøyet er ikke isolert mot å komme i kontakt med elektriske strømkilder.

Tegn og klistremerker

Produktet er montert med skilt og klistremerker som inneholder viktig informasjon om personlig sikkerhet og produktvedlikehold. Skilt og klistremerker skal alltid være enkle å lese. Nye skilt og klistremerker kan bestilles ved bruk av reservedelslisten.



s011050

ATEX-sertifiseringsinformasjon

ATEX kodedefinisjon

ATEX-koden er:



Ex II 2 G Ex h IIC T6 Gb

Ex II 2 D Ex h IIIC T85°C Db

°C ≤ Ta ≤ 40 °C

Beskrivelse	Verdi	Definisjon
Utstyrsguppe	II	Overflateindustri
Utstyrskategori	2	Høyt beskyttelsesnivå
Gruppe II		<ul style="list-style-type: none"> • sone 1 (gass) • sone 2 (gass) • sone 21 (støv) • sone 22 (støv)
Atmosfære	G	Atmosfære som inneholder gass, damp eller tåke
	D	Atmosfære som inneholder støv
Sikkerhetsdesign	h	Mekanisk produkt
Gassgruppe	IIC	Hydrogen/acetylen
	IIB	Etylen
Støvgruppe	IIIC	Overflate brennbart støv
Maks. overflatetemperatur i gass atmosfære		T1 = 450 °C T2 = 300°C T3 = 200°C T4 = 135 °C T5 = 100°C T6 = 85°C
Maks. overflatetemperatur i støv atmosfære		Eksempeltemperaturer: T85 °C T110 °C T120 °C T125 °C T240 °C
Spesielle restriksjoner, for eksempel omgivelsestemperatur rekkevidde.	X	

Temperaturer

- Maksimal omgivelsestemperatur som sertifiseringen er gyldig for er 40 °C.
- 40 °C er også maksimal tillatt temperatur for trykkluften når den kommer inn i produktet.

- Hvis produktet er installert i et utstyr, må hele utstyret samsvare med retningslinjene 2014/34/EU.
- Se til at trykkluften oppfyller våre kvalitetskrav (kvalitetssklasse 2.4.3. og 3.4.4 respektivt 3.5.4 ifølge ISO/DIS 8573-1:2010).
- Det maksimale trykket må ikke overstige 6,3 bar eller det som er angitt på produktets typeskilt. Overskridelse av driftstrykket kan øke overflatetemperaturen på grunn av høyere rotasjonshastighet, og produktet kan bli en tenningskilde.

Ex-klassifisering

Hvis produktet er en del av en enhet der komponentene har ulik Ex-klassifisering, definerer komponenter med laveste sikkerhetsnivå Ex-klassifiseringen for hele enheten.

Retningslinjer for eksplosjonsforebyggelse

Renslighet

- Se til at produktet holdes rent fra støv og smuss for å forhindre økt lager- og overflatetemperatur.
- Ved bruk av en lydtemper: Se til at det er installert en lydtemper med en filtreringseffekt ved luftuttaket for å forhindre eventuelle friksjonsoppvarmede partikler i å komme inn i den omgivende atmosfæren.

Bruk

- Se til at produktet jordes til ekvipotensialkoblingssystemet til verkstedet, for eksempel gjennom tilbehør, slik som slanger og lufttrykkoblinger.
- Det er brukerens ansvar å se til at produktet og alt mulig tilbehør, slik som skiftenøkler og luftkoblinger, oppfyller de nasjonale sikkerhetsforskriftene for utstyr som brukes på potensielt eksplosive områder.

Nyttig informasjon

Nettsider

Du finner informasjon vedrørende produkter, tilbehør, reservedeler og publiserte saker på Atlas Copco-nettstedet.

Besøk siden: www.atlascopco.com.

ServAid

ServAid er en portal som blir kontinuerlig oppdatert og inneholder teknisk informasjon, slik som:

- Regulatorisk- og sikkerhetsinformasjon
- Tekniske data
- Installasjon-, drift- og serviceinstruksjoner
- Lister over reservedeler
- Tilbehør
- Dimensjonstegninger

Besøk siden: <https://servaid.atlascopco.com>.

Ønsker du mer informasjon, kan du ta kontakt med din lokale Atlas Copco-representant.

Tekniset tiedot

Tekniset tiedot

Tilausno	8411046413
Malli	LZB46-L-AR0004-11
Ilmankulutus maksimiteholla	14 l/s
Ilmankulutus maksimiteholla	-29.7 cfm
Jarrutusmomentti	Nm
Jarrutusmomentti	ft lb
Sisäinen jarru	No
Ulkoisten osien materiaali	Hardened steel/Aluminium
Kuormittamaton nopeus	35 r/min
Maksimiteho	0.59 kW
Maksimiteho	0.79 hv
Pienin käynnistysmomentti	388 Nm
Pienin käynnistysmomentti	286 ft lb
Suhde	
Välityssuhde	
Pyörimissuunta	Reversible
Akselin kuormituskoodi	h
Akselityyppi	Keyed
Nopeus maksimiteholla	20 r/min
Sammutusmomentti	574 Nm
Sammutusmomentti	423 ft lb
Vääntö maksimiteholla	287 Nm
Vääntö maksimiteholla	212 ft lb
Siipityyppi	Lubrication free
Paino	4.9 kg
Paino	10.8 lb
Imuletku	10 mm
Imuletku	0.4 tuumaa
Kotelointiluokka	IP66
Poistoletku	16 mm
Poistoletku	0.6 tuumaa

IP/IP-luokitus

Ilmamootoreiden IP-luokitus viittaa mekaaniseen kotelointiin standardin IEC 60529 mukaisesti. IP-luokitus ei kata korrosionkestävyyttä eikä muita nesteitä kuin puhtaan veden.

Vakuutukset

EU-LIITTÄMISVAKUUTUS

Me, Atlas Copco Industrial Technique AB, SE-105 23 STOCKHOLM SWEDEN, vakuutamme yksinomaisella vastuullamme, että tämä tuote (katso nimi, tyyppi ja sarjanumero etusivulta) täyttää seuraavan konedirektiivin 2006/42/EY olennaiset vaatimukset:

2006/42/EC (Annex I, clauses 1.1, 1.2 (excluding 1.2.4.3), 1.3, 1.4, 1.5, 1.6, 1.7)

Ja että tämä osittain loppuun valmistettu laite on seuraavan/ seuraavien muun/muiden EU-direktiivin/direktiivien säännösten mukainen:
2014/34/EU (ATEX)

Tätä osittain loppuun valmistettua laitetta ei saa ottaa käyttöön ennen kuin lopullisen laitteiston, johon se liitetään, on ilmoitettu täyttävän konedirektiivin 2006/42/EY vaatimukset vaadittavilta osin.

Seuraavia yhdenmukaistettuja eurooppalaisia standardeja (osia/lausekkeita) on sovellettu:

EN 1127-1:2019, EN ISO 12100:2010, EN ISO 80079-36:2016, EN ISO 80079-37:2016

Asiaankuuluva tekninen dokumentaatio on laadittu ja annettu tiedoksi konedirektiivin 2006/42/EY liitteen VII osan B sekä ATEX-direktiivin 2014/34/EU artiklan 13 (1) b) ii mukaisesti ilmoitetussa laitoksessa ExVeritas ApS (EU:n tunnustenro 2804) Tanskassa. Viranomaiset voivat pyytää ATEX-direktiivin 2014/34/EU mukaisen teknisen tiedoston paperimuodossa kohteesta:

<https://www.exveritas.com/2022/02/02/what-you-need-for-atex-and-ukca-explosive-atmosphere-certification-for-the-uk-and-eu-markets/>

Stockholm, 1 September 2023

Håkan Andersson, Managing Director

Ilmoittajan allekirjoitus



Tietoa REACH-asetuksen artiklasta 33

Euroopan REACH-asetus (EU) N:o 1907/2006 kemikaalien rekisteröinnistä, arvioinnista, lupamenettelyistä ja rajoituksesta määrittelee muun muassa toimitusketjun viestintään liittyviä velvoitteita. Tiedonantovelvoite koskee myös tuotteita, jotka sisältävät niin sanottuja erityistä huolta aiheuttavia aineita (ns. ehdokasluettelon aineita). 27. kesäkuuta 2018 tähän ehdokasluetteloon lisättiin lyijymetalli (CAS-numero 7439-92-1).

Yllä olevaa noudattaen haluamme ilmoittaa, että jotkut mekaaniset komponentit tuotteessa saattavat sisältää lyijymetallia. Tämä on aineiden rajoittamista koskevan lainsäädännön mukaista ja perustuu RoHS-direktiivin (2011/65/EU) poikkeuksiin. Lyijymetalli ei vuoda eikä mutatoitu tuotteesta normaalin käytön aikana, ja lyijymetallipitoisuus valmiissa tuotteessa on huomattavasti alle sovellettavan kynnyksarvon. Ota huomioon paikalliset vaatimukset lyijyn hävittämiselle tuotteen käyttöänsä lopussa.

Alueelliset vaatimukset

⚠ VAROITUS

Tuote voi altistaa käyttäjän kemikaaleille, kuten lyijylle, jonka Kalifornian osavaltiossa tiedetään aiheuttavan syöpää ja synnynnäisiä epämuodostumia tai muuta lisääntymishaittaa. Katso lisätietoja osoitteesta

<https://www.p65warnings.ca.gov/>

Turvallisuus

ÄLÄ HÄVITÄ – ANNETTAVA KÄYTTÄJÄLLE

⚠ VAROITUS Lue tämän tuotteen mukana toimitetut kaikki turvallisuusvaroitukset, ohjeet, kuvaukset ja tekniset tiedot.

Jos kaikkia alapuolella kuvattuja ohjeita ei noudateta, seurauksena voi olla sähköisku, tulipalo, omaisuusvahinko ja/tai vakava henkilövahinko.

Säilytä kaikki varoitukset ja ohjeet myöhempää käyttöä varten.

⚠ VAROITUS Kaikkia paikallisia turvallisuusohjeita koskien asennusta, käyttöä ja huoltoa on aina noudatettava.

Käyttötiedote

- Vain ammattikäyttöön.
- Tätä tuotetta ja sen lisälaitteita ei saa muuttaa millään tavalla.
- Älä käytä tuotetta, jos se on vaurioitunut.
- Jos tuotteen tietojen tai vaarasta varoittavat kyltit eivät ole enää selvästi luettavissa tai irtoavat, ne on vaihdettava välittömästi.
- Vain pätevä henkilö saa asentaa, käyttää ja huoltaa tuotetta teollisuusympäristössä.

Tarkoituksenmukainen käyttö

Moottori on suunniteltu yhdistettäväksi kiinteään tai liikkuvaan koneeseen. Moottori on tarkoitettu joko pelkästään oikealle kiertyväksi, vain vasemmalle kiertyväksi tai kumpaankin suuntaan kiertyväksi. Moottori tulee asentaa ainoastaan asennustuen tai kierteitetyn nokkaosan avulla tilanteen mukaan. Muut käyttötavat ovat kiellettyjä.

Moottorit aiheuttavat syttymisen mahdollisesti räjähdysalttiissa ympäristössä erittäin harvoin. Käyttäjällä on vastuussa kokonaisriskien arvioinnista, kun moottori kytketään koneeseen.

Tuotekohtaiset ohjeet

Varoitus

⚠ VAROITUS Polymeeriin liittyvä vaara

Tuotteen siivet sisältävät PTFE:tä (synteettistä fluoripolymeeriä). PTFE-hiukkasia saattaa olla kulumisen myötä tuotteen sisällä. Kuumenevat PTFE-tuotteet muodostavat höyryjä, jotka voivat aiheuttaa flunssan kaltaisia oireita olevan polymeerihöyrykuumeen, erityisesti tupakoidessa saastuneita savukkeita.

PTFE:tä koskevia terveys- ja turvallisuussuosituksia tulee noudattaa, kun käsitellään siipipyöriä ja muita komponentteja:

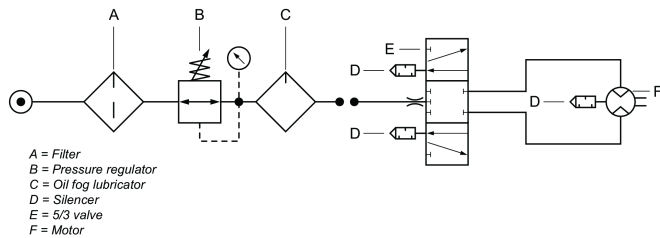
- ▶ Älä tupakoi tämän tuotteen käytön aikana
- ▶ PTFE-osat eivät saa päästä kosketukseen avotulen, hehkuvien tuotteiden tai kuumuuden kanssa
- ▶ Moottorin osia ei saa oestä puhdistusnesteissä ja niitä ei saa puhaltaa puhtaaksi paineilmalla
- ▶ Pese kätesi ennen muiden toimenpiteiden aloittamista.

IP-luokitus

Ilmamootoreiden IP-luokitus on määritetty paineistettuna. Se ei koske ulostuloa eikä liitettyä äänenvaimenninta. Jos moottoria käytetään upotettuna tai raskaissa vedensuihkuttimissa, on suositeltavaa johtaa ulostulo pois vedestä letkulla. Moottorin ollessa upotettuna pidä moottorin paine aina syvyyttä vastaavaa korkeampana.

Asennuskaavio

Kaksisuuntainen moottori

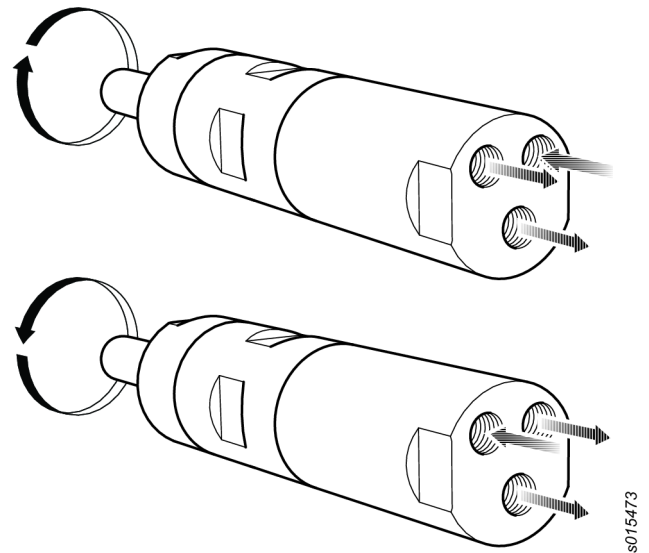


Ilmansyötön liittäminen

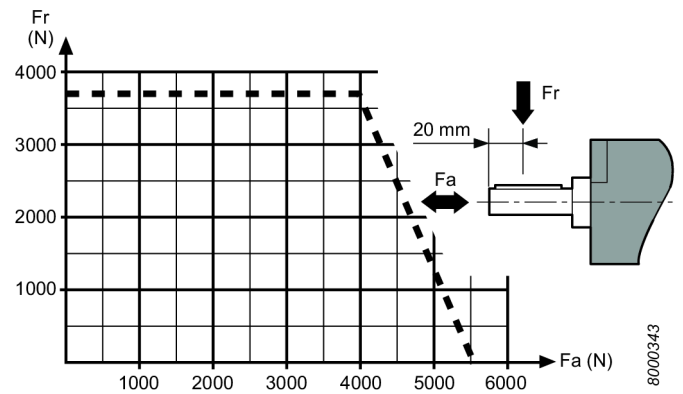
Kun paineilman syöttö on kytketty sisääntuloon, kierto-uinta on alla olevan kuvan mukainen. Jos poistoilma halutaan ohjata putkea pitkin pois, letku on liitettävä poistoliitännään.

Paineilman syöttö tulee liittää halutun pyörimissuunnan mukaiseen sisääntuloon, katso alapuolella oleva kuva.

Käytöstä poistettu sisääntulo toimii ylimääräisenä ulostulona, eikä sitä saa tukkia.



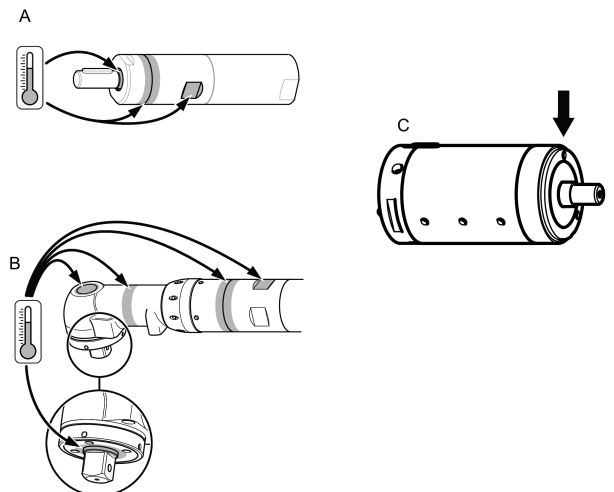
Akselikuormituskaavio



Kuumat pisteet

Seuraavat moottorin kuumat pisteet voivat saavuttaa erittäin korkean lämpötilan käytön aikana. Kuvassa näkyvät eri mallien kuumat pisteet:

- Tiivisterengas ulostuloakselissa (A, B, C)
- Etuosan ja hammaskehän välinen liitos (A, B)
- Avainkahva (A, B)



Korkeimmat lämpötilat syntyvät, kun moottori käy täydellä paineella ilman kuormaa. Lisäämällä vääntöä, rajoittaa ilmamoottori pyörimisnopeutta ja lämpötilaa.

Varoitus

Varmista, että hallitset käyttöohjeet ennen tämän moottorin käyttämistä.

Tätä moottoria varusteineen ja lisälaitteineen ei saa koskaan käyttää mihinkään muuhun kuin sille suunniteltuun tarkoitukseen.

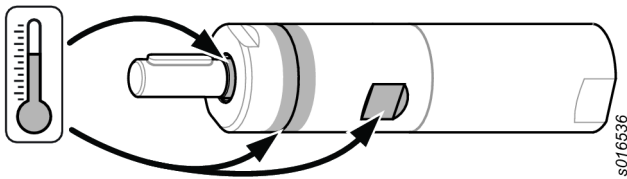
Jos moottoriin tai sen lisälaitteisiin tehdään muutoksia, mitkä voivat vaikuttaa tuotteen luotettavuuteen, niihin on saatava hyväksyntä valmistajalta.

Henkilövahinkojen ja pitkäaikaisten vaarojen välttäminen

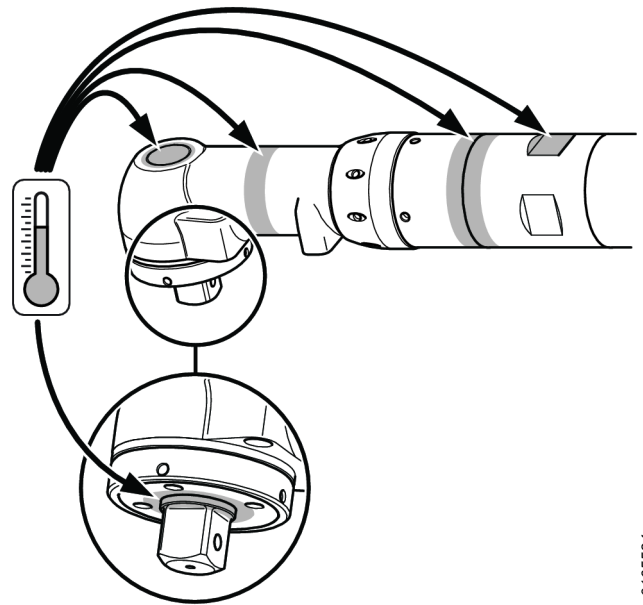
- Jos moottoria käytetään ATEX-ympäristössä, suodatimet / äänenvaimentimet on asennettava moottorin poistoaukkoihin.
Äänenvaimentimien käyttö on suositeltavaa myös muissa sovelluksissa melun vähentämiseksi.
- Kytke moottori irti paineilmalinjasta ennen minkään säätötoimenpiteisiin aloittamista.
- **Pidä kädet, pitkät hiukset ja vaatteet poissa pyörievien osien läheisyydestä.**

Huolto

- Tämän ATEX-tuotteen huollon ja korjauksen saa tehdä ainoastaan valtuutettu henkilöstä, jonka jälkeen on suoritettava testi kuormittamattomana ja kuumien kohteiden lämpötilat on mitattavat ja tulokset on merkittävä raporttiin.
5 minuuttia kestävän testin kuormittamattomana jälkeen, pinnan lämpötila ei saa olla yli 45°C + ympäristölämpötilan, jossa ympäristölämpötila voi vaihdella välillä 0 – 40°C.



s076536



s0765534

Yleiset turvaohjeet

Paineilmaan ja liitäntöihin liittyvät vaarat

- Paineilmaa voi aiheuttaa vakavia vammoja.
- Katkaise aina ilmansyöttö, poista paine putkistosta ja irrota työkalu ilmansyöttölähteestä, kun sitä ei käytetä, tehtäessä korjaustöitä ja ennen osien vaihtamista.
- Älä koskaan suuntaa paineilmaa itseäsi tai ketään muuta kohti.
- Hallitsemattomasti liikkuvat letkut voivat aiheuttaa vakavia vammoja. Tarkasta aina, että letkut ja liitokset ovat ehjiä ja tiukasti kiinni.
- Ilmanpaine ei saa ylittää 6,3 baaria (90 psig) tai työkalun tyyppikilvessä ilmoitettua painetta.

Kiinni takertumisen vaara

- Pysy loitolla pyörievästä käyttöpyörästä. Vaatteiden, käsineiden, korujen, solmion, huiivin tai hiusten takertuminen työkaluun tai sen varusteisiin voi johtaa tukehtumiseen, päänahan irtoamiseen ja/tai syviin haavoihin.

Sinkoilevien kappaleiden aiheuttamat vaarat

- Käytä aina iskunkestäviä suojalaseja ja kasvosuojusta työkalun käyttö-, korjaus- ja huoltoalueella tai niiden läheisyydessä sekä osien vaihdon yhteydessä.
- Varmista, että muut samalla alueella olevat käyttävät iskunkestäviä suojalaseja ja kasvosuojuksia. Pienetkin kappaleet voivat vaurioittaa silmiä ja aiheuttaa sokeutumisen.
- Varmista, että työstettävä kappale on kiinnitetty kunnolla.

Käyttövaarat

- Kiinnitä työkalu kunnolla.
- Varmista ennen työstettävän kappaleen irrotusta, että työkalu on pysähtynyt kokonaan.
- Asenna käynnistys-, pysäytys- ja hätäpysäytyskytkimet aina koneeseen, johon moottori tai vääntömoottori asennetaan.

Meluvaara

- Kovat äänet voivat aiheuttaa pysyviä kuulovaurioita ja muita ongelmia, kuten tinnitusta. Käytä työnantajan tai työterveys- ja työturvallisuusmääräysten suosittamia kuulosuojaimia.
- Vältä tarpeetonta melu- ja värinätasojen nousua käyttämällä ja huoltamalla työkalua sekä valitsemalla, huoltamalla ja vaihtamalla varusteet ja kulutusosat tämän käyttöohjeen mukaisesti;

Työpaikkaan liittyvät vaarat

- Liukastuminen, kompastuminen tai kaatuminen voi johtaa vakavaan tapaturmaan tai kuolemaan. Varo lattialla tai työalustalla olevia letkuja.
- Vältä pölyn tai höyryjen hengittämistä ja työskentelyjätteiden käsittelemistä, jotka voivat aiheuttaa terveyshaittoja (esimerkiksi syöpää, vastasyntyneiden epämuodostumia, astmaa ja/tai ihotulehdusta (dermatiittia)). Käytä pölynpoistoa ja hengityssuojainta, kun työskentelet materiaaleista irtoavaa ilmaan hiukkasia.
- Jotkut hionnassa, sahausessa, rouhinnassa, porauksessa ja muissa rakennustöissä syntyvät pölyt sisältävät kemikaaleja, jotka Kalifornian osavaltion mukaan aiheuttavat syöpää, synnynnäisiä epämuodostumia ja hedelmättömyyttä. Esimerkkejä tällaisista kemikaaleista:
 - lyijypohjaisista maaleista lähtöisin oleva lyijy
 - tiilistä, sementistä ja muista muurausaineista lähtöisin oleva kiteinen piidioksidi
 - kemiallisesti käsitellystä kumista lähtöisin oleva arsenikki ja kromi.

Altistumisen riski näille kemikaaleille riippuu siitä, kuinka usein teet tämänkaltaista työtä. Voit vähentää altistumista näille kemikaaleille seuraavasti: työskentele hyvin tuuletetussa tilassa ja käytä hyväksytyjä suojavälineitä, kuten hengityssuojaimia, jotka suodattavat mikroskooppisen pienet hiukkaset.

- Noudata erityistä varovaisuutta vieraassa työympäristössä. Tiedosta työskentelyn mahdollisesti aiheuttamat vaaratilanteet. Tätä työkalua ei ole eristetty suojaamaan sähkötapaturmilta sen koskettaessa sähkövirralähteitä.

Merkit ja tarrat

Tuote on varustettu tärkeitä turvallisuus- ja tuotetietoja koskevilla kilvillä ja tarroilla. Kilpien ja tarrojen on aina oltava luettavissa. Uudet kilvet ja tarrat voidaan tilata varaosaluettelon avulla.



s011050

ATEX-sertifiointitiedot**ATEX-koodin määrittäminen**

ATEX-koodi on:



Ex II 2 G Ex h IIC T6 Gb

Ex II 2 D Ex h IIIC T85°C Db

°C ≤ Ta ≤ 40 °C

Kuvaus	Arvo	Määrittäminen
Laiteryhmä	II	Pintateollisuus
Laiteluokka	2	Korkea suojaustaso
Ryhmä II		<ul style="list-style-type: none"> • alue 1 (kaasu) • alue 2 (kaasu) • alue 21 (pöly) • alue 22 (pöly)
Ympäristö	G	Ympäristö sisältää kaasua, höyryjä tai sumua
	D	Ympäristö sisältää pölyä
Turvamuotoilu	h	Mekaaninen tuote
Kaasuryhmä	IIC	Vety / asetyleeni
	IIB	Etyleeni
Pölyryhmä	IIIC	Syttyvä pöly
Pintalämpötila enint. Kaasu-ympäristössä		T1 = 450°C
		T2 = 300°C
		T3 = 200°C
		T4 = 135°C
		T5 = 100°C
		T6 = 85°C
Maks. pintalämpötila Pöly-ympäristössä		Esimerkkilämpötilat:
		T85°C
		T110°C
		T120°C
		T125°C
		T240°C
Erityisrajoitus, esimerkiksi ympäristölämpötila-alue.	X	

Lämpötilat

- Ympäristön enimmäislämpötila, jolle sertifiointi on voimassa, on 40°C.
- 40°C on myös laitteeseen syötettävän paineilman sallittu enimmäislämpötila.
- Jos tuote on asennettu laitteeseen, on koko laitteiston noudatettava direktiivin 2014/34/EY ohjeita.

- Varmista, että paineilma täyttää laatuvaatimuksemme (laatuluokat 2.4.3. ja 3.4.4 sekä 3.5.4 ISO/DIS 8573-1:2010:n mukaan).
- Enimmäispainetta 6,3 baaria tai tuotteen nimilaatassa ilmoitettua painetta ei saa ylittää. Käyttöpaineen ylittäminen voi kohottaa pintalämpötilaa suuremman pyörimisnopeuden vuoksi ja tuotteesta voi tulla sytytyslähde.

Esimerkki luokituksesta

Jos tuote kuuluu kokoonpanoon, jossa komponenteilla on erilainen Ex-luokitus, komponentti määrittää alhaisimmalla turvallisuustasolla koko kokoonpanon Ex-luokituksen.

Räjähdyksenesto-ohjeet

Puhtaus

- Varmista, että tuote pidetään puhtaana pölystä ja liasta laakereiden ja pinnan lämpötilan kasvamisen estämiseksi.
- Käytettäessä äänenvaimentajaa: varmista, että ilmanpoiston suodatinnominaisuudella oleva äänenvaimennin on asennettu mahdollisten kitkakuumentuneiden hiukkasten pääsyn estämiseksi ympäristöön.

Käyttö

- Varmista myös, että tuote on maadoitettava korjaamon potentiaalintasausjärjestelmään, esimerkiksi sopivien lisätarvikkeiden kuten letkujen ja ilmanpaineliitäntöjen kautta.
- Käyttäjän vastuulla on varmistaa, että tuotteen kaikki mahdolliset lisätarvikkeet, kuten avaimet ja ilmaliitännät, täyttävät räjähdyksenvaarallisilla alueilla käytettäviä laitteita koskevat kansalliset turvamääräykset.

Hyödyllistä tietoa

Verkkosivusto

Tietoa yrityksemme tuotteista, lisälaitteista, varaosista ja julkaisuista on Atlas Copco -sivustolla.

Käy osoitteessa: www.atlascopco.com.

ServAid

ServAid on jatkuvasti päivitettävä portaali, joka sisältää teknisiä tietoja, kuten:

- Säätely- ja turvallisuustiedot
- Tekniset tiedot
- Asennus-, käyttö- ja kunnossapito-ohjeet
- Varaosaluettelot
- Lisävarusteet
- Mittapiirustukset

Käy osoitteessa: <https://servaid.atlascopco.com>.

Pyydä lisätietoja ottamalla yhteys paikalliseen Atlas Copco -edustajaasi.

Τεχνικά δεδομένα

Τεχνικά δεδομένα

Κωδ. παραγγελίας	8411046413
Μοντέλο	LZB46-L-AR0004-11
Κατανάλωση αέρα σε μέγ. έξοδο	14 l/s
Κατανάλωση αέρα σε μέγ. έξοδο	-29.7 cfm
Ροπή πέδησης	Nm
Ροπή πέδησης	ft lb
Ενσωματωμένο φρένο	No
Υλικό εξωτερικών μερών	Hardened steel/Aluminium
Ελεύθερη ταχύτητα	35 r/min
Μέγ. έξοδος	0.59 kW
Μέγ. έξοδος	0.79 hp
Ελάχ. ροπή εκκίνησης	388 Nm
Ελάχ. ροπή εκκίνησης	286 ft lb
Λόγος	
Λόγος γραναζιών	
Κατεύθυνση περιστροφής	Reversible
Κωδικός φόρτωσης άξονα	h
Τύπος άξονα	Keyed
Ταχύτητα σε μέγ. έξοδο	20 r/min
Ροπή ακινητοποίησης	574 Nm
Ροπή ακινητοποίησης	423 ft lb
Ροπή σε μέγ. έξοδο	287 Nm
Ροπή σε μέγ. έξοδο	212 ft lb
Τύπος βαλβίδας	Lubrication free
Βάρος	4.9 kg
Βάρος	10.8 lb
Εύκαμπος σωλήνας εισόδου	10 mm
Εύκαμπος σωλήνας εισόδου	0.4 in
Δείκτης προστασίας από εισχώρηση	IP66
Εύκαμπος σωλήνας εξόδου	16 mm
Εύκαμπος σωλήνας εξόδου	0.6 in

Δείκτης IP (δείκτης προστασίας από εισχώρηση)

Ο δείκτης IP των αεροκινητήρων παραπέμπει στο μηχανικό περιβάλλον σύμφωνα με το πρότυπο Διεθνούς Ηλεκτροτεχνικής Επιτροπής (IEC) 60529. Ο δείκτης IP δεν καλύπτει την αντοχή στη διάβρωση ή σε άλλα υγρά εκτός από το καθαρό γλυκό νερό.

Δηλώσεις

ΔΗΛΩΣΗ ΕΝΣΩΜΑΤΩΣΗΣ ΕΕ

Εμείς, η Atlas Copco Industrial Technique AB, SE-105 23 STOCKHOLM SWEDEN, δηλώνουμε με αποκλειστική ευθύνη μας ότι αυτό το προϊόν (με όνομα, τύπο και σειριακό

αριθμό, βλέπε πρωτοσέλιδό του) πληροί τις ακόλουθες βασικές απαιτήσεις της Οδηγίας 2006/42/EK για τα Μηχανήματα:

2006/42/EC (Annex I, clauses 1.1, 1.2 (excluding 1.2.4.3), 1.3, 1.4, 1.5, 1.6, 1.7)

Και ότι το εν λόγω ημιτελές μηχάνημα συμμορφώνεται με τις διατάξεις της (των) ακόλουθης(-ων) άλλης(-ων) οδηγίας(-ων) της ΕΕ:

2014/34/EU (ATEX)

Το εν λόγω ημιτελές μηχάνημα δεν πρέπει να τίθεται σε λειτουργία παρά μόνο όταν το τελικό μηχάνημα στο οποίο πρόκειται να ενσωματωθεί έχει δηλωθεί σύμφωνα με τις διατάξεις της Οδηγίας 2006/42/EK σχετικά με τα μηχανήματα, κατά περίπτωση.

Έχουν εφαρμοστεί τα ακόλουθα (τμήματα/ρήτρες) των Ευρωπαϊκών εναρμονισμένων προτύπων:

EN 1127-1:2019, EN ISO 12100:2010, EN ISO 80079-36:2016, EN ISO 80079-37:2016

Ο σχετικός τεχνικός φάκελος συντάχθηκε και κοινοποιήθηκε σύμφωνα με την οδηγία για τα μηχανήματα 2006/42/EK μέρος Β του παραρτήματος VII και την οδηγία ATEX 2014/34/EE άρθρο 13 παράγραφος 1 στοιχείο β) ii στον κοινοποιημένο οργανισμό ExVeritas ApS (αριθμός μητρώου EE 2804) στη Δανία. Οι αρχές μπορούν να ζητήσουν το τεχνικό αρχείο για την Οδηγία 2014/34/EE ATEX σε έντυπη μορφή από:

<https://www.exveritas.com/2022/02/02/what-you-need-for-atex-and-ukca-explosive-atmosphere-certification-for-the-uk-and-eu-markets/>

Stockholm, 1 September 2023

Håkan Andersson, Managing Director

Υπογραφή εκδότη



Πληροφορίες σχετικά με το Άρθρο 33 του κανονισμού REACH

Ο Ευρωπαϊκός Κανονισμός (ΕΕ) αριθ. 1907/2006 για την Καταχώριση, την Αξιολόγηση, την Αδειοδότηση και τους Περιορισμούς των Χημικών ουσιών (REACH) καθορίζει, μεταξύ άλλων, απαιτήσεις σχετικά με την επικοινωνία στην αλυσίδα εφοδιασμού. Η απαίτηση πληροφοριών ισχύει και για προϊόντα που περιέχουν τις λεγόμενες Άκρες Ανησυχαστικές Ουσίες («Κατάλογος Υποψηφίων»). Στις 27 Ιουνίου 2018 προστέθηκε στον Κατάλογο Υποψηφίων ο μεταλλικός μόλυβδος (CAS αριθ. 7439-92-1).

Σύμφωνα με τα ως άνω αναφερόμενα, αυτό σας ενημερώνει ότι ορισμένα μηχανικά εξαρτήματα στο προϊόν ενδέχεται να περιέχουν μεταλλικό μόλυβδο. Αυτό συμμορφώνεται με την ισχύουσα νομοθεσία περί περιορισμού ουσιών και βασίζεται σε νόμιμες εξαιρέσεις στην οδηγία RoHS (2011/65 / ΕΕ).

Κατά τη διάρκεια της κανονικής χρήσης, ο μεταλλικός μόλυβδος δεν θα διαρρεύσει ή θα μεταλλαχθεί από το προϊόν και η συγκέντρωση του μεταλλικού μολύβδου στο πλήρες

προϊόν είναι πολύ κάτω από το ισχύον όριο. Λάβετε υπόψη τις τοπικές απαιτήσεις σχετικά με τη διάθεση του μολύβδου στο τέλος του κύκλου ζωής του.

Περιφερειακές απαιτήσεις

⚠️ ΠΡΟΕΙΔΟΠΟΙΗΣΗ

Αυτό το προϊόν μπορεί να σας εκθέσει σε χημικές ουσίες, συμπεριλαμβανομένου του μολύβδου, ο οποίος είναι γνωστός στην πολιτεία της Καλιφόρνιας ότι προκαλεί καρκίνο και γενετικές ανωμαλίες ή άλλη αναπαραγωγική βλάβη. Για περισσότερες πληροφορίες επισκεφθείτε την ιστοσελίδα

<https://www.p65warnings.ca.gov/>

Ασφάλεια

Μην απορρίπτετε - δώστε στο χρήστη

⚠️ ΠΡΟΕΙΔΟΠΟΙΗΣΗ Διαβάστε όλες τις προειδοποιήσεις ασφαλείας, τις οδηγίες, τα γραφικά και τις προδιαγραφές που παρέχονται με αυτό το προϊόν.

Σε περίπτωση που δεν ακολουθήσετε όλες τις παρακάτω οδηγίες ενδέχεται να προκληθεί ηλεκτροπληξία, πυρκαγιά, καταστροφή ιδιοκτησίας ή/ και σοβαρός τραυματισμός.

Φυλάξτε όλες τις προειδοποιήσεις και τις οδηγίες για να ανατρέξετε μελλοντικά σε αυτές.

⚠️ ΠΡΟΕΙΔΟΠΟΙΗΣΗ Όλοι οι τοπικά θεσμοθετημένοι κανόνες ασφαλείας σχετικά με την εγκατάσταση, τη λειτουργία και τη συντήρηση, πρέπει να τηρούνται συνεχώς.

Δήλωση Χρήσης

- Αποκλειστικά για επαγγελματική χρήση.
- Αυτό το προϊόν και τα εξαρτήματά του δεν πρέπει να τροποποιηθούν με κανένα τρόπο.
- Μην χρησιμοποιείτε αυτό το προϊόν εάν έχει υποστεί ζημιά.
- Εάν τα δεδομένα του προϊόντος ή οι προειδοποιητικές ενδείξεις κινδύνου στο προϊόν παύσουν να είναι ευανάγνωστες ή αποσυνδεδεμένες, αντικαταστήστε χωρίς καθυστέρηση.
- Το προϊόν πρέπει να εγκαθίσταται, να λειτουργεί και να συντηρείται μόνο από πρόσωπα με τα κατάλληλα προσόντα σε βιομηχανικό περιβάλλον συναρμολόγησης.

Προβλεπόμενη χρήση

Αυτό το μοτέρ σχεδιάστηκε για να ενσωματωθεί σε μία σταθερή ή κινούμενη μηχανή. Προορίζεται μόνο για δεξιά περιστροφή, μόνο για αριστερή περιστροφή ή αναστρέψιμη περιστροφή και πρέπει να στερεώνεται μόνο μέσω της φλάντζας ή της σπειρωμένης μύτης, ανάλογα με την περίπτωση. Δεν επιτρέπεται άλλη χρήση.

Ο κίνδυνος ανάφλεξης μίας δυναμικά εκρηκτικής ατμόσφαιρας λόγω των μοτέρ είναι εξαιρετικά μικρός. Ο χρήστης είναι υπεύθυνος για την αξιολόγηση των κινδύνων που σχετίζονται με ολόκληρη τη μηχανή όπου θα ενσωματωθεί το μοτέρ.

Ειδικές οδηγίες προϊόντος

Προειδοποίηση

⚠ ΠΡΟΕΙΔΟΠΟΙΗΣΗ Κίνδυνος από πολυμερή

Τα πτερύγια αυτού του προϊόντος περιέχουν PTFE (ένα συνθετικό φθοροπολυμερές). Εξαιτίας της φθοράς, ενδέχεται να υπάρχουν σωματίδια PTFE στο εσωτερικό του προϊόντος. Εάν θερμανθεί, το PTFE μπορεί να παραγάγει αναθυμιάσεις, οι οποίες μπορεί να προκαλέσουν πυρετό από αναθυμιάσεις πολυμερούς με συμπτώματα παρόμοια με αυτά της γρίπης, ειδικά αν η εισπνοή γίνει καπνίζοντας μολυσμένο καπνό.

Κατά τη μεταχείριση των πτερυγίων και άλλων εξαρτημάτων, τηρείτε τις συστάσεις υγείας και ασφάλειας για το PTFE:

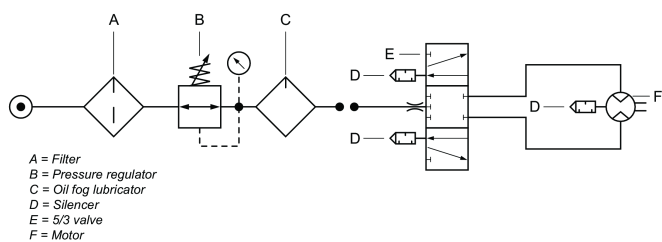
- ▶ Μην καπνίζετε όταν πραγματοποιείτε εργασίες συντήρησης σε αυτό το προϊόν
- ▶ Τα σωματίδια PTFE δεν πρέπει να έρθουν σε επαφή με γυμνή φλόγα, πυρακτωμένα αντικείμενα ή θερμότητα
- ▶ Τα εξαρτήματα του κινητήρα πρέπει να πλένονται με καθαριστικό υγρό και όχι φυσώντας συμπιεσμένο αέρα
- ▶ Πλένετε τα χέρια σας πριν ξεκινήσετε οποιαδήποτε άλλη δραστηριότητα

Δείκτης IP (δείκτης προστασίας από εισχώρηση)

Ο Δείκτης IP των αεροκινητήρων ρυθμίζεται σε συνθήκες υπό πίεση και αποκλείει την έξοδο ή τον προσαρτημένο σιγαστήρα. Αν ο κινητήρας λειτουργεί με βύθιση ή με πίδακες βαρύ ύδωρ, συνιστάται να οδηγείτε την άκρη εξόδου μακριά από το νερό με έναν εύκαμπτο λάστιχο. Όταν βυθίζεστε, κρατήστε πάντα τον κινητήρα υπό πίεση με μεγαλύτερη πίεση από το αντίστοιχο βάθος.

Διάγραμμα εγκατάστασης

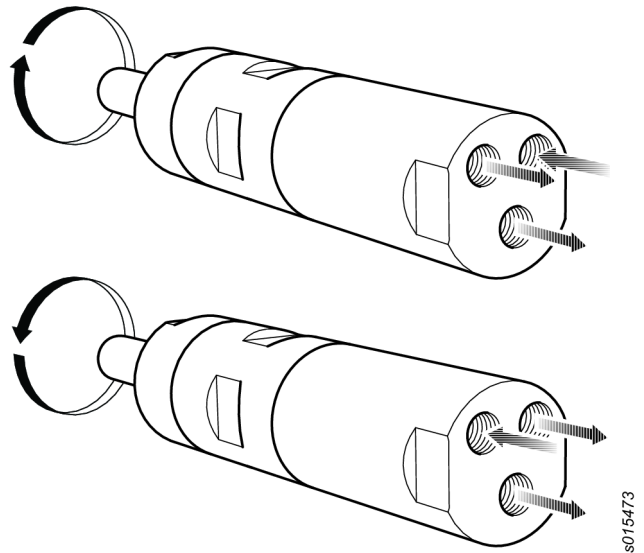
Αναστρέψιμος κινητήρας



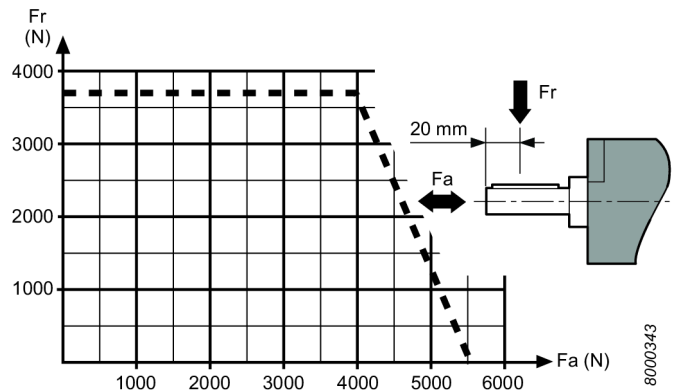
Σύνδεση παροχής αέρα

Όταν η παροχή πεπιεσμένου αέρα συνδέεται με την είσοδο, η κατεύθυνση περιστροφής θα είναι όπως φαίνεται στην παρακάτω εικόνα. Αν ο αέρας εξόδου πρέπει να παροχετευτεί εκτός του συστήματος, ένας εύκαμπτος σωλήνας πρέπει να συνδεθεί με την έξοδο.

Η παροχή πεπιεσμένου αέρα πρέπει να συνδεθεί με την αντίστοιχη είσοδο για την επιθυμητή κατεύθυνση περιστροφής, βλ. παρακάτω εικόνα. Η είσοδος που δεν χρησιμοποιείται, λειτουργεί ως πρόσθετη έξοδος και δεν πρέπει να συνδέεται.



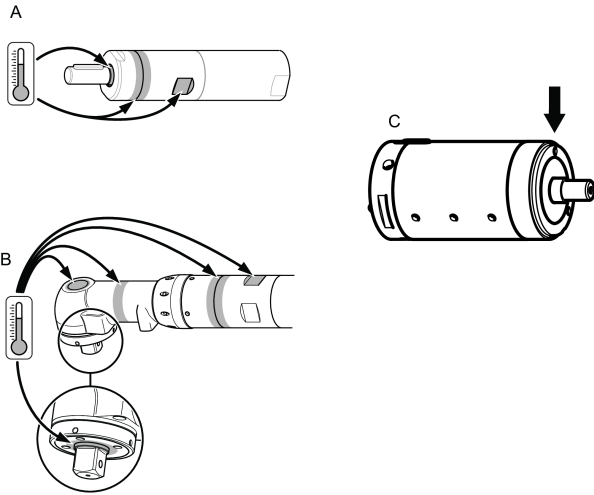
Διάγραμμα φορτίου άξονα



Θερμά σημεία

Τα παρακάτω θερμά σημεία του κινητήρα μπορούν να υπερθερμανθούν κατά τη λειτουργία. Η εικόνα δείχνει τα θερμά σημεία για συγκεκριμένα μοντέλα:

- Δακτύλιος στεγανοποίησης στον άξονα εξόδου (A, B, C)
- Σύνδεσμος μεταξύ μπροστινού εξαρτήματος και οδοντωτού δακτυλίου (A, B)
- Λαβή κλειδιού (A, B)



Οι υψηλότερες θερμοκρασίες σημειώνονται όταν ο κινητήρας λειτουργεί με πλήρη πίεση χωρίς φορτίο. Όσο αυξάνεται η ροπή, τόσο μειώνει ο αεροκινητήρας την ταχύτητα και τη θερμοκρασία περιστροφής.

Προειδοποίηση

Σιγουρευτείτε ότι είστε εξοικειωμένοι με τις οδηγίες λειτουργίας πριν χρησιμοποιήσετε αυτόν τον κινητήρα.

Ο κινητήρας, τα εξαρτήματα και τα αξεσουάρ του πρέπει να χρησιμοποιούνται μόνο για το σκοπό για τον οποίο έχουν σχεδιαστεί.

Για λόγους ευθύνης για το προϊόν και για λόγους ασφαλείας, οποιαδήποτε τροποποίηση στον κινητήρα ή στα αξεσουάρ του η οποία ενδέχεται να επηρεάσει την ευθύνη για το προϊόν πρέπει να συμφωνηθεί εκ των προτέρων με την εξουσιοδοτημένη τεχνική υπηρεσία του κατασκευαστή.

Για αποφυγή προσωπικού τραυματισμού και μακροπρόθεσμων κινδύνων:

- Αν ο κινητήρας φέρει πιστοποίηση ATEX, πρέπει να τοποθετηθούν φίλτρα/σιγαστήρες στα στόμια εξόδου του κινητήρα.

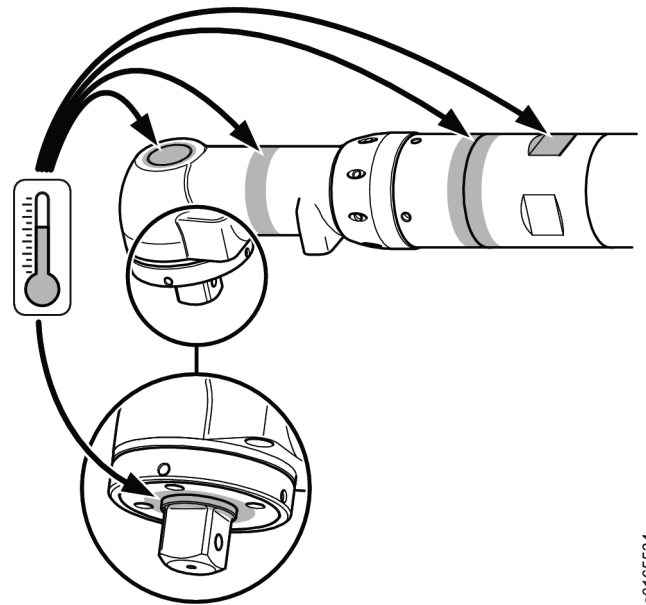
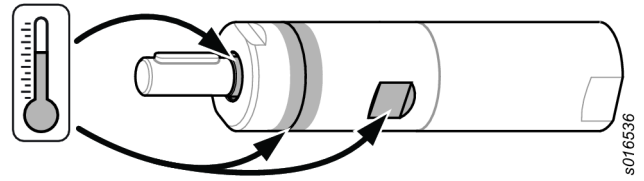
Οι σιγαστήρες συνιστώνται επίσης και για άλλες εφαρμογές για μείωση της έκθεσης στο θόρυβο.

- Πριν από οποιαδήποτε διαδικασία ρύθμισης, αποσυνδέστε τον κινητήρα από τον αεραγωγό.
- **Προσέχετε τα χέρια, τα μαλλιά και τα ρούχα σας - να διατηρείτε πάντα σε απόσταση ασφαλείας από τα περιστρεφόμενα μέρη.**

Συντήρηση

- Η συντήρηση και οι επισκευές αυτού του προϊόντος ATEX πρέπει να πραγματοποιούνται αποκλειστικά από εξουσιοδοτημένο προσωπικό· μετά από τις εργασίες αυτές πρέπει να πραγματοποιηθεί δοκιμή απουσία φορτίου, καθώς και μετρήσεις θερμοκρασίας (όπως φαίνεται στο σχήμα), οι οποίες πρέπει να καταγράφονται σε ένα μητρώο.

Μετά από δοκιμή απουσία φορτίου, διάρκειας 5 λεπτών, η θερμοκρασία επιφανείας δεν πρέπει να υπερβαίνει το άθροισμα $45^{\circ}\text{C} +$ θερμοκρασία περιβάλλοντος, όπου η θερμοκρασία περιβάλλοντος μπορεί να κυμαίνεται από $0 - 40^{\circ}\text{C}$.



Γενικές Οδηγίες για την Ασφάλεια

Παροχή αέρα και κίνδυνοι σύνδεσης

- Ο πεπιεσμένος αέρας μπορεί να προκαλέσει σοβαρό τραυματισμό.
- Κλείνετε πάντοτε την παροχή αέρα, αποστραγγίστε τον εύκαμπτο σωλήνα από πεπιεσμένο αέρα και αποσυνδέστε το εργαλείο από την παροχή αέρα όταν δεν το χρησιμοποιείτε, πριν να αλλάξετε εξαρτήματα ή όταν πραγματοποιείτε επισκευές.
- Ποτέ μην κατευθύνετε αέρα επάνω σε εσάς ή σε οποιονδήποτε άλλο.
- Οι εκτινασόμενοι σωλήνες μπορούν να προκαλέσουν σοβαρό τραυματισμό. Ελέγχετε πάντοτε για εύκαμπτους σωλήνες και συνδέσμους με ζημία ή χαλάρωση.
- Μην υπερβαίνετε τη μέγιστη πίεση αέρα 6,3 bar / 90 psig, ή εκείνη που ορίζεται στην πινακίδα στοιχείων του εργαλείου.

Κίνδυνοι εμπλοκής

- Μην πλησιάζετε στον περιστρεφόμενο μηχανισμό κίνησης. Είναι δυνατό να επέλθει πνιγμός, αφαίρεση τριχωτού της κεφαλής ή/ και σχισίματα αν χαλαρά ρούχα, γάντια, κοσμήματα, κολιέ και μαλλιά δε διατηρηθούν μακριά από το εργαλείο και τα εξαρτήματά του.

Κίνδυνοι από θραύσματα

- Φοράτε πάντα γυαλιά και μάσκα προσώπου ανθεκτικά σε κρούσεις όταν συμμετέχετε στη λειτουργία ή είστε κοντά σε λειτουργίες επισκευών ή συντήρησης του εργαλείου, ή όταν αντικαθιστάτε παρελκόμενα στο εργαλείο. Συνιστώνται γάντια και προστατευτικός ρουχισμός.
- Βεβαιωθείτε ότι όλα τα υπόλοιπα άτομα στο χώρο φορούν ανθεκτικό στην κρούση προστατευτικό εξοπλισμό για τα μάτια και το πρόσωπο. Ακόμη και μικρά θραύσματα μπορούν να τραυματίσουν τα μάτια και να προκαλέσουν τύφλωση.
- Βεβαιωθείτε ότι το αντικείμενο προς επεξεργασία είναι στερεωμένο με ασφάλεια.

Κίνδυνοι χειρισμού

- Στερεώστε το εργαλείο με ασφάλεια.
- Βεβαιωθείτε ότι το εργαλείο είναι πλήρως ακινητοποιημένο προτού αφαιρέσετε το εξάρτημα λειτουργίας.
- Τοποθετείτε πάντοτε ελέγχους μπλοκαρίσματος έναρξης, διακοπής λειτουργίας και έκτακτης ανάγκης στο μηχάνημα όπου πρόκειται να ενσωματωθεί ο κινητήρας/ο κινητήρας ροπής.

Κίνδυνοι από θόρυβο

- Οι υψηλές στάθμες θορύβων μπορεί να προκαλέσουν μόνιμη απώλεια ακοής και άλλα προβλήματα, όπως εμβοές. Χρησιμοποιείτε προστατευτικά για τα αυτιά όπως συνιστάται από τον εργοδότη σας ή τους κανονισμούς υγείας και ασφαλείας του χώρου εργασίας.
- Για να αποτρέψετε τις μη απαραίτητες ενισχύσεις των επιπέδων θορύβου, θέστε σε λειτουργία και συντηρήστε το εργαλείο και επιλέξτε, συντηρήστε και αντικαταστήστε τα εξαρτήματα και τα αναλώσιμα, σύμφωνα με το παρόν εγχειρίδιο οδηγιών.

Κίνδυνοι στο χώρο εργασίας

- Ολισθήσεις (γλιστρήματα) / σκουντουφλήματα / πτώσεις, αποτελούν κύριες αιτίες σοβαρού τραυματισμού ή θανάτου. Προσέχετε τον περισσευούμενο εύκαμπτο σωλήνα που αφήνεται στην επιφάνεια βάδισης ή εργασίας.
- Μην εισπνέετε σκόνη ή αναθυμιάσεις και μην χειρίζεστε απόβλητα της διαδικασίας εργασίας, τα οποία είναι δυνατό να προκαλέσουν προβλήματα υγείας (π.χ. καρκίνο, συγγενείς ανωμαλίες, άσθμα ή/ και δερματίτιδες). Χρησιμοποιήστε εξοπλισμό εξώθησης σκόνης και προστατευτικό αναπνευστικό εξοπλισμό όταν εργάζεστε με υλικά τα οποία παράγουν αερομεταφερόμενα σωματίδια.
- Η σκόνη που παράγεται από αμμοβολή, πριόνισμα, λείανση (τρόχισμα), διάτρηση και άλλες κατασκευαστικές δραστηριότητες με ηλεκτρικά ή πνευματικά εργαλεία περιέχει χημικές ουσίες γνωστές στην Πολιτεία της Καλιφόρνια για πρόκληση καρκίνου ή γενετικών ανωμαλιών (συγγενών διαμαρτιών διαπλάσεων) ή άλλες αναπαραγωγικές βλάβες. Ορισμένα παραδείγματα αυτών των χημικών ουσιών είναι τα εξής:
 - Μόλυβδος από βαφές με βάση μόλυβδο
 - Τούβλα κρυσταλλικής σιλικόνης και τσιμέντου καθ' άλλα προϊόντα τοιχοποιίας

- Αρσενικό και χρώμιο από χημικά επεξεργασμένο καουτσούκ

Ο κίνδυνος που διατρέχετε από αυτές τις εκθέσεις ποικίλει, ανάλογα με το πόσο συχνά κάνετε αυτό τον τύπο εργασίας. Για τη μείωση της έκθεσής σας σ' αυτές τις χημικές ουσίες: εργάζεστε σε καλά αεριζόμενο χώρο και εργάζεστε με εγκεκριμένο εξοπλισμό ασφαλείας, όπως με μάσκες για τη σκόνη που είναι ειδικά σχεδιασμένες να φιλτράρουν μικροσκοπικά σωματίδια.

- Συνεχίστε με προσοχή σε περιβάλλοντα με τα οποία δεν είστε εξοικειωμένος/η. Να έχετε επίγνωση των ενδεχόμενων κινδύνων που δημιουργούνται από την εργασιακή σας δραστηριότητα. Αυτό το εργαλείο δεν είναι μονωμένο για περιπτώσεις επαφής με πηγές ηλεκτρικής ενέργειας.

Πινακίδες και Αυτοκόλλητα

Το προϊόν διαθέτει σήματα και αυτοκόλλητα που περιέχουν σημαντικές πληροφορίες για την ατομική ασφάλεια και τη συντήρηση του προϊόντος. Τα σήματα και τα αυτοκόλλητα πρέπει να είναι πάντοτε ευανάγνωστα. Μπορείτε να παραγγείλετε καινούργια σήματα και αυτοκόλλητα από τον κατάλογο ανταλλακτικών.



s011050

Πληροφορίες πιστοποίησης ATEX

Ορισμός κωδικού ATEX

Ο κωδικός ATEX είναι ο εξής:



Ex II 2 G Ex h IIC T6 Gb

Ex II 2 D Ex h IIIC T85°C Db

°C ≤ Ta ≤ 40 °C

Περιγραφή	Τιμή	Ορισμός
Συγκρότημα εξοπλισμού	II	Βιομηχανία επιφανείας
Κατηγορία Εξοπλισμού	2	Υψηλό επίπεδο προστασίας
Ομάδα II		<ul style="list-style-type: none"> • περιοχή 1 (αέριο) • περιοχή 2 (αέριο) • περιοχή 21 (σκόνη) • περιοχή 22 (σκόνη)
Ατμόσφαιρα	G	Ατμόσφαιρα που περιέχει Αέριο, Ατμούς ή Εκνεφώματα
	D	Ατμόσφαιρα που περιέχει Σκόνη

Περιγραφή	Τιμή	Ορισμός
Σχεδιασμός ασφαλείας	h	Μηχανικό προϊόν
Ομάδα αερίου	II C	Υδρογόνο/ Ακετυλένιο
	II B	Αιθυλένιο
Συγκρότημα σκόνης	III C	Επιφανειακή εύφλεκτη σκόνη
Μέγιστη επιφανειακή θερμοκρασία στην ατμόσφαιρα Αερίου		T1 = 450 °C T2 = 300 °C T3 = 200 °C T4 = 135 °C T5 = 100 °C T6 = 85 °C
Μέγ. θερμοκρασία επιφανείας σε ατμόσφαιρα Σκόνης		Παραδείγματα θερμοκρασιών: T85 °C T110 °C T120 °C T125 °C T240 °C
Ειδικός περιορισμός, για παράδειγμα εύρος θερμοκρασίας περιβάλλοντος.	X	

Θερμοκρασίες

- Η μέγιστη θερμοκρασία περιβάλλοντος χώρου για την οποία ισχύει η πιστοποίηση είναι 40°C.
- 40°C είναι επίσης η μέγιστη επιτρεπόμενη θερμοκρασία του πεπιεσμένου αέρα όταν εισέρχεται στο προϊόν.
- Αν το προϊόν εγκαθίσταται σε έναν εξοπλισμό, ολόκληρος ο εξοπλισμός πρέπει να αντιστοιχεί στις οδηγίες 2014/34/EE.
- Βεβαιωθείτε ότι ο πεπιεσμένος αέρας πληροί τις απαιτήσεις ποιότητας (κατηγορίες ποιότητας 2.4.3 και 3.4.4 αντίστοιχα, σύμφωνα με το πρότυπο ISO/DIS 8573-1:2010).
- Μην υπερβαίνετε τη μέγιστη πίεση των 6,3 bar, ή αυτή που αναφέρεται στην πινακίδα του προϊόντος. Η υπέρβαση της πίεσης λειτουργίας μπορεί να αυξήσει τη θερμοκρασία επιφανείας λόγω υψηλότερης ταχύτητας περιστροφής και το προϊόν μπορεί να γίνει πηγή ανάφλεξης.

Κατάταξη Ex

Αν το προϊόν αποτελεί μέρος μίας διάταξης, όπου τα στοιχεία έχουν διαφορετική κατάταξη Ex, το στοιχείο με το χαμηλότερο επίπεδο ασφάλειας καθορίζει την κατάταξη Ex ολόκληρης της διάταξης.

Οδηγίες για την αποτροπή εκρήξεων

Καθαριότητα

- Φροντίστε το προϊόν να είναι καθαρό από σκόνη και ακαθαρσίες, ώστε να αποφεύγεται η αυξημένη θερμοκρασία του τριβέα και της επιφάνειας.
- Αν χρησιμοποιείτε σιγαστήρα: Βεβαιωθείτε ότι έχει εγκατασταθεί ένας σιγαστήρας με δράση φιλτραρίσματος στην έξοδο αέρα, ώστε να μην εισέλθουν στο γύρω περιβάλλον σωματίδια που θερμάνθηκαν λόγω τριβής.

Χρήση

- Βεβαιωθείτε ότι το προϊόν είναι γειωμένο στο ισοδυναμικό σύστημα δέσμωσης του συνεργείου, για παράδειγμα μέσω κατάλληλων εξαρτημάτων, όπως είναι οι εύκαμπτοι σωλήνες και οι συνδέσεις πεπιεσμένου αέρα.
- Είναι ευθύνη του κατασκευαστή να βεβαιωθεί ότι όλα τα εξαρτήματα που ενδέχεται να χρειαστούν για το προϊόν, όπως τα κλειδιά και οι συνδέσεις αέρα, συμμορφώνονται με τους εγχώριους κανονισμούς ασφαλείας για τον εξοπλισμό που χρησιμοποιείται σε δυνητικά εκρηκτικά περιβάλλοντα.

Χρήσιμες πληροφορίες

Διαδικτυακός τόπος

Πληροφορίες σχετικά με τα Προϊόντα, τα Εξαρτήματά, τα Ανταλλακτικά και τα Δημοσιευμένα θέματα μας βρίσκονται στον ιστότοπο Atlas Copco .

Παρακαλούμε επισκεφθείτε: www.atlascopco.com.

ServAid

Το ServAid είναι μια πύλη που ενημερώνεται συνεχώς και περιέχει Τεχνικές πληροφορίες, όπως:

- Κανονιστικές πληροφορίες και πληροφορίες ασφαλείας
- Τεχνικά δεδομένα
- Οδηγίες εγκατάστασης, λειτουργίας και συντήρησης
- Λίστες ανταλλακτικών
- Εξαρτήματα
- Διαστασιολογικά σχεδιαγράμματα

Παρακαλούμε επισκεφθείτε: <https://servaid.atlascopco.com>.

Για περαιτέρω Τεχνικές πληροφορίες, επικοινωνήστε με τον τοπικό αντιπρόσωπο της Atlas Copco.

Tekniska data

Tekniska data

Beställningsnummer	8411046413
Modell	LZB46-L-AR0004-11
Luftförbrukning vid max effekt	14 l/s
Luftförbrukning vid max effekt	29.7 cfm

Bromsmoment	Nm
Bromsmoment	ft lb
Inbyggd broms	No
Material på externa delar	Hardened steel/Aluminium
Tomgångsvarvtal	35 varv/min
Max effekt	0.59 kW
Max effekt	0.79 hp
Minimum startmoment	388 Nm
Minimum startmoment	286 ft lb
Utväxlingsförhållande	
Utväxlingsförhållande	
Rotationsriktning	Reversible
Axelbelastningskod	h
Typ av axel	Keyed
Hastighet vid max effekt	20 varv/min
Moment vid stillastående	574 Nm
Moment vid stillastående	423 ft lb
Moment vid max effekt	287 Nm
Moment vid max effekt	212 ft lb
Lamelltyp	Lubrication free
Vikt	4.9 kg
Vikt	10.8 lb
Tilloppsslang	10 mm
Tilloppsslang	0.4 tum
Kapslingsklassning	IP66
Utloppsslang	16 mm
Utloppsslang	0.6 tum

IP-klassning

IP-klassningen för luftmotorer avser det mekaniska höljet enligt standarden IEC 60529. IP-klassningen täcker inte korrosionsmotstånd eller andra vätskor än rent färskvatten.

Deklarationer

EU-FÖRSÄKRAN OM INBYGGNAD

Vi, **Atlas Copco Industrial Technique AB**, SE-105 23 STOCKHOLM SWEDEN, försäkrar under eget ansvar att den här produkten (med namn, typ och serienummer, se framsida) uppfyller följande grundläggande krav i Maskindirektivet 2006/42/EG:

2006/42/EC (Annex I, clauses 1.1, 1.2 (excluding 1.2.4.3), 1.3, 1.4, 1.5, 1.6, 1.7)

Samt att denna delvis fullständiga maskin uppfyller bestämmelserna i följande andra EU-direktiv: 2014/34/EU (ATEX)

Ovanstående delvis fullständiga maskiner får inte tas i bruk förrän den slutliga maskin i vilken de ska ingå har deklarerats i överensstämmelse med bestämmelserna i Maskindirektivet 2006/42/EG, där så är tillämpligt.

Följande (delar av/bestämmelser i) europeiska standarder har använts:

EN 1127-1:2019, EN ISO 12100:2010, EN ISO 80079-36:2016, EN ISO 80079-37:2016

Den relevanta tekniska dokumentationen har sammanställts och meddelats enligt Maskindirektivet 2006/42/EC del B i Bilaga VII och ATEX-direktivet 2014/34/EU Artikel 13 (1) b) ii i anmält organ ExVeritas ApS (EU-identifikationsnr 2804) i Danmark. Myndigheter kan begära den tekniska filen för ATEX-direktivet 2014/34/ EU från:

<https://www.exveritas.com/2022/02/02/what-you-need-for-atex-and-ukca-explosive-atmosphere-certification-for-the-uk-and-eu-markets/>

Stockholm, 1 September 2023

Håkan Andersson, Managing Director

Utfärdarens underskrift



Information om Artikel 33 i REACH

EU-förordning (EG) nr. 1907/2006 om registrering, utvärdering, godkännande och begränsning av kemikalier (Reach) anger bland annat krav rörande kommunikation i leveranskedjan. Informationskraven gäller även för produkter som innehåller så kallade Särskilt farliga ämnen ("Kandidatförteckningen"). Den 27 juni 2018 blev blymetall (CAS-nr. 7439-92-1) tillagt i Kandidatförteckningen.

I enlighet med informationen ovan har detta meddelande som syfte att informera dig om att vissa mekaniska komponenter i produkten kan innehålla blymetall. Detta är i enlighet med rådande begränsningslagstiftning för specifika ämnen och baseras på undantag i RoHS-förordningen (2011/65/EU). Blymetall kommer inte att läcka eller förändras från eller i produkten vid normal användning och koncentrationen blymetall i den färdiga produkten ligger långt under gällande gränsvärden. Kom ihåg att kontrollera lokala krav för bly när produkten ska avfallshanteras.

Regionala krav

WARNING

Denna produkt kan utsätta dig för kemikalier inklusive bly, som är känd för staten Kalifornien för att orsaka cancer och fosterskador och annan reproduktiv skada. För mer information gå in på

<https://www.p65warnings.ca.gov/>

Säkerhet

KASSERA EJ – GE TILL ANVÄNDAREN

⚠ VARNING Läs alla säkerhetsföreskrifter, instruktioner, illustrationer och specifikationer som medföljer produkten.

Om alla anvisningar nedan inte efterföljs finns risk för elchock, brand, svåra personskador och/eller skador på egendom.

Spara alla varningar och instruktioner för framtida bruk.

⚠ VARNING Alla lokala säkerhetsföreskrifter avseende installation, drift och underhåll skall alltid åtföljas.

Användningsintyg

- Endast för yrkesmässigt bruk.
- Denna produkt och medföljande tillbehör får inte modifieras på något sätt.
- Använd inte denna produkt om den har skadats.
- Om produktuppgifterna eller varningsskyltarna på produkten inte är läsbara eller lossnar ska de bytas omedelbart.
- Produkten får endast installeras, användas och servas av behöriga personer i en miljö för industriellt bruk.

Avsedd användning

Denna motor är avsedd att byggas in i en fast eller rörlig maskin. Den är antingen enbart avsedd för rotation åt vänster eller reversibel rotation och ska endast monteras i flänsen eller den gängade nosen, beroende på modell. Ingen annan användning är tillåten.

Risken för att motorer ska utgöra antändningskällan i en potentiellt explosiv miljö är extremt liten. Användaren är ansvarig att bedöma riskerna för hela den maskin där motorn monteras.

Produktspecifika anvisningar

Varning

⚠ VARNING Risker med polymerer

Lamellerna i den här produkten innehåller PTFE (en syntetisk fluoropolymer). På grund av slitage kan det finnas PTFE-partiklar inuti produkten. Uppvärmad PTFE kan alstra ångor som kan orsaka polymerröksfeber med influensaliknande symtom, särskilt vid rökning av förorenad tobak.

Hälso- och säkerhetsrekommendationer för PTFE måste åtföljas noggrant vid hantering av lameller och andra komponenter:

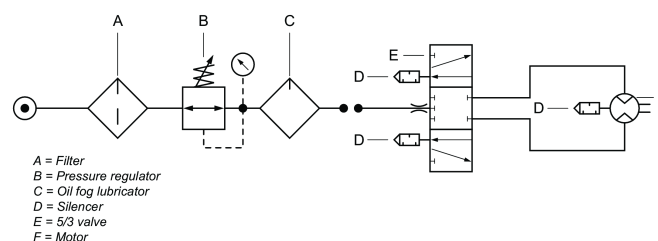
- ▶ Rök inte när service utförs på denna produkt
- ▶ PTFE-partiklar får inte komma i kontakt med öppen eld, glöd eller värme
- ▶ Motorkomponenter måste tvättas med rengöringsvätska och inte blåsas rena med en luftslang
- ▶ Tvätta händerna innan du börjar med någon annan aktivitet

IP-klassning

Luftmotorernas IP-klassning gäller för när de är trycksatta och utesluter utloppet samt eventuell monterad ljuddämpare. Om motorn drivs under vatten eller i områden med kraftiga vattenstrålar rekommenderas det att utloppet leds bort från vattnet med en slang. Vid drift under vatten är det viktigt att motorn alltid är trycksatt med ett högre tryck än det omgivande vattentrycket.

Installationsdiagram

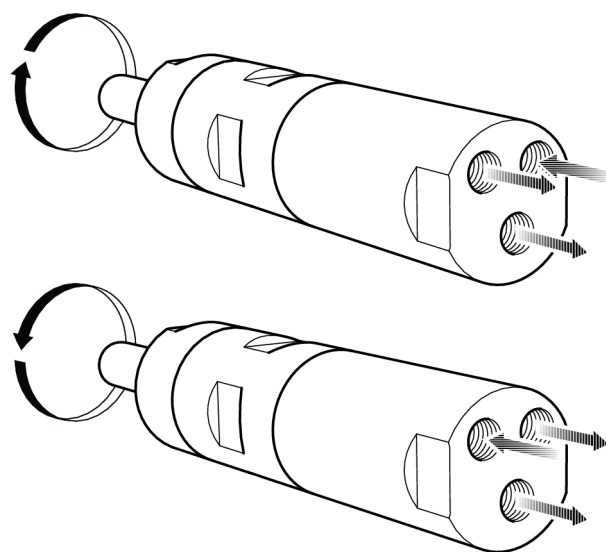
Reversibel motor:



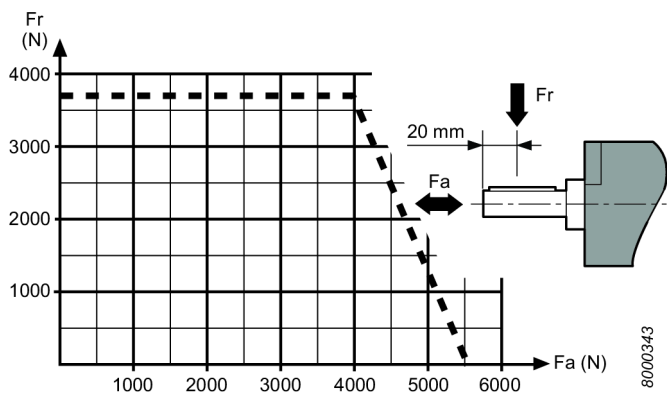
Ansluta tryckluftstillförseln

När tryckluften är ansluten till inloppet, är rotationsriktningen den som visas i figuren nedan. Om utloppsluften ska ledas bort via rör, ska en slang kopplas till utloppet.

Tryckluften ska anslutas till det inlopp som motsvarar den önska rotationsriktningen, se figuren nedan. Det inlopp som inte används, fungerar som ett extra utlopp och får inte vara igenpluggat.



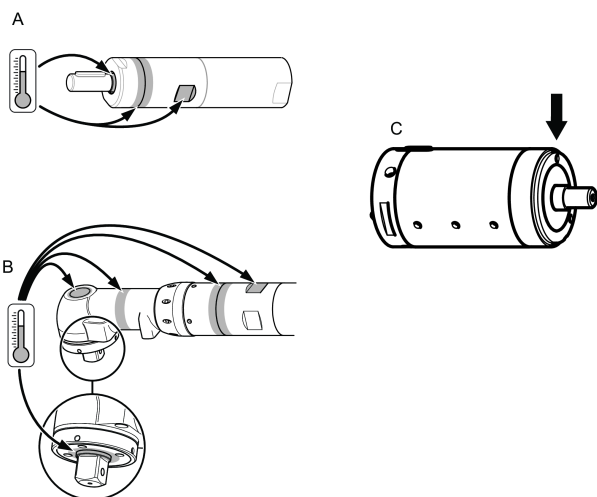
Axellastdiagram



Markerade punkter

Följande markerade punkter på motorn kan bli mycket varma under drift: Bilden visar varma punkter för specifika modeller:

- Tätningring på den utgående axeln (A, B, C)
- Fog mellan framdel och kuggkrans (A, B)
- Nyckelgrepp (A, B)



De högsta temperaturerna uppstår när motorn körs på fullt tryck utan belastning. Med stigande vridmoment minskar tryckluftmotorns rotationshastighet och därmed temperaturen.

Varning

Tillse att operatören har läst och förstått denna instruktion innan motorn används.

Motorn och dess tillbehör får endast användas för avsett ändamål.

Av säkerhetsskäl måste varje modifiering av motorn och dess tillbehör, som kan påverka produktsäkerheten, godkännas av tillverkarens tekniskt ansvarige.

För att undvika personskador och skaderisker vid användning under lång tid:

- Om motorn är ATEX-certifierad, måste filter/ljuddämpare monteras i motorns utloppsportar.

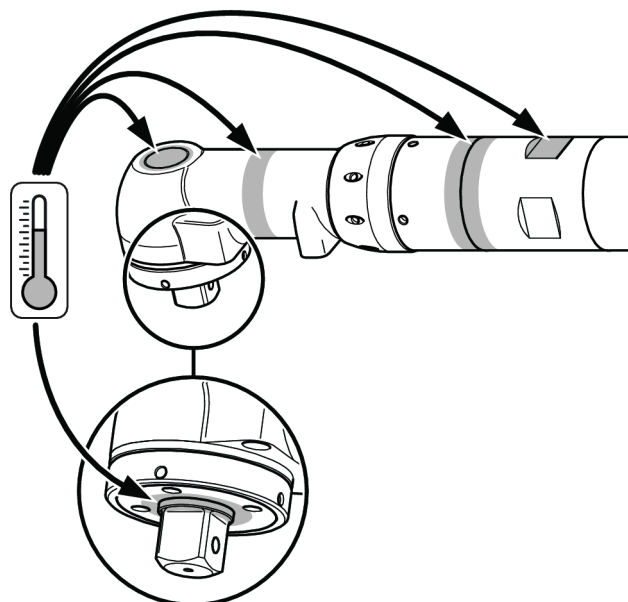
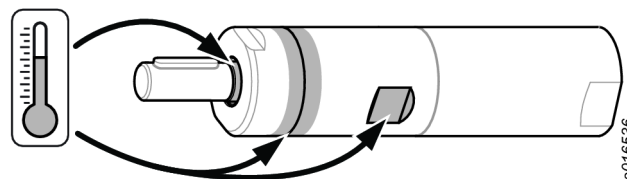
Ljuddämpare rekommenderas också för andra tillämpningar för att minska bullerexponeringen.

- Koppla bort motorn från luftledningen innan justering görs.
- **Akta händer, hår och lösa klädesplagg** – se upp för roterande delar.

Underhåll

- Underhåll och reparationer av detta ATEX-verktyg får enbart utföras av godkänd personal, efter vilket ett obelastat test och temperaturmätningar måste utföras på markerade punkter (visas på figuren) och dokumenteras i ett protokoll.

Efter ett 5-minuters obelastat test får ytemperaturen inte vara högre än summan av 45°C + omgivningstemperatur, där omgivningstemperaturen kan variera mellan 0 – 40°C.



Allmänna säkerhetsföreskrifter

Risker med försörjning och anslutning av tryckluft

- Trycksatt luft kan orsaka allvarlig skada.
- Stryp alltid lufttillförseln, eliminera trycket i slangarna och koppla bort verktyget från tryckluftskällan när det inte används, före utbyte av tillbehör och vid reparation.
- Rikta aldrig luftstrålen mot dig själv eller andra.
- Snärtande slangar kan orsaka svåra skador. Kontrollera alltid om slangar eller kopplingar är skadade eller lösa.
- Låt inte lufttrycket överstiga 6,3 bar/90 psi, eller det tryck som anges på verktygets märkplåt.

Risker förknippade med att fastna i rörliga delar

- Håll dig undan från en roterande drivning. Kvävning, skalpering och/eller skärsår kan uppstå om löshängande kläder, handskar, smycken, halsband och hår inte hålls borta från verktyg och tillbehör.

Kringflygande föremål

- Använd alltid slagtåliga ögon- och ansiktsskydd om du arbetar med eller uppehåller dig i närheten av verktyg som används, repareras eller underhålls eller verktygstillbehör som byts ut. Handskar och skyddskläder rekommenderas.
- Se till att alla andra som uppehåller sig i närheten använder slagtåliga ögon- och ansiktsskydd. Även små föremål som kastas iväg kan skada ögonen och orsaka blindhet.
- Se till att arbetsstycket är säkert fastspänt

Risker vid användning

- Kläm fast verktyget ordentligt.
- Säkerställ att verktyget är helt stilla innan du tar bort arbetsstycket.
- Montera alltid reglage för start, stopp och nödstopp på den maskin där motorn monteras.

Bullerrisker

- Höga ljudnivåer kan orsaka permanent hörsel förlust och andra problem, t.ex. tinnitus. Använd hörselskydd som rekommenderas av din arbetsgivare eller via arbetsskydds- och hälsoregler.
- För att förhindra onödig ökning av bullernivån; hantera och underhåll verktyget och välj, underhåll och byt tillbehör eller förbrukningsdelar i enlighet med instruktionshandboken.

Arbetsplatsrisker

- Om en person halkar/snubblar/faller kan allvarliga personskador eller dödsfall inträffa. Var medveten om över-skjutande slang som ligger kvar på gång- och arbetsytor.
- Undvik inandning av damm eller rök eller hantering av skräp från arbetsprocessen som kan orsaka ohälsa (t ex cancer, fosterskador, astma och/eller hudexem). Använd utsug och andningsskydd när du arbetar med material som skapar luftburna partiklar.
- En del damm som skapas av motorblästring, -sågning, -polering, -borrning och andra konstruktionsaktiviteter innehåller kemikalier som i delstaten Kalifornien anses orsaka cancer och fosterskador eller andra reproduktiva skador. Några exempel på dessa kemikalier är:
 - Bly från blybaserad målarfärg
 - Kristallint silikattegel och cement och andra murverksprodukter
 - Arsenik och krom från kemiskt behandlat gummi.

Den risk som du utsätts för varierar beroende på hur ofta du utför den här typen av arbeten. För att reducera din exponering för dessa kemikalier: arbeta i ett väl ventilerat utrymme och arbeta med godkänd säkerhetsutrustning, såsom andningsmasker som är speciellt utformade för att filtrera bort mikroskopiska partiklar.

- Arbeta försiktigt i områden som du inte känner till. Var medveten om de potentiella risker som skapas av dina arbetsaktiviteter. Detta verktyg är inte isolerat från att komma i kontakt med elektriska strömkällor.

Skyltar och dekal

Produkten är försedd med skyltar och dekal med viktig information om personlig säkerhet och produktunderhåll. Skyltarna och dekalerna måste alltid vara lätta att läsa. Nya skyltar och dekal kan beställas med hjälp av reservdelspan. s011050

**ATEX-certifiering****ATEX-kodens definition**

ATEX-koden är:



Ex II 2 G Ex h IIC T6 Gb

Ex II 2 D Ex h IIIC T85°C Db

°C ≤ Ta ≤ 40 °C

Beskrivning	Värde	Definition
Utrustningsgrupp	II	Ytbehandling
Utrustningskategori	2	Hög skyddsnivå
Grupp II		<ul style="list-style-type: none"> • zon 1 (gas) • zon 2 (gas) • zon 21 (damm) • zon 22 (damm)
Atmosfär	G	Atmosfär som innehåller gas, ångor eller dimma
	D	Atmosfär som innehåller damm
Säkerhetskonstruktion	h	Mekanisk produkt
Gasgrupp	IIC	Väte/ Acetylen
	IIB	Etylen
Dammgrupp	IIIC	Brännbart ytdamm
Max yttemperatur i Gas atmosfär		T1 = 450°C
		T2 = 300°C
		T3 = 200°C
		T4 = 135°C
		T5 = 100°C
		T6 = 85°C
Max yttemperatur i Damm atmosfär		Exempel på temperaturer:
		T85 °C
		T110 °C
		T120 °C
		T125 °C
		T240°C

Särskild restriktion, **X** till exempel omgivande temperatur.

Temperaturer

- Den högsta omgivningstemperaturen certifieringen gäller för är 40°C.
- 40°C är även den högsta tillåtna temperaturen för tryckluften när den kommer in i produkten.
- Om produkten är monterad i annan utrustning måste hela utrustningen uppfylla riktlinjerna enligt 2014/34/EU.
- Kontrollera att tryckluften uppfyller våra kvalitetskrav (kvalitetsklasserna 2.4.3 och 3.4.4 respektive 3.5.4 enligt ISO/DIS 8573-1:2010).
- Överskrid inte maximalt tryck på 6,3 bar eller vad som framgår av produktplattan. Överskridande av drifttemperaturen kan öka yttemperaturen på grund av högre rotationshastighet och produkten kan bli en gnistkälla.

Ex-klassificering

Om produkten är en del av en montering där komponenterna har olika Ex-klassificeringar, anger komponenten med den lägsta nivån, den Ex-klassificering som gäller hela monteraget.

Undvika explosioner

Renlighet

- Se till att produkten hålls ren från damm och smuts för att förhindra att lager- och yttemperaturen ökar.
- Om du använder en ljuddämpare: Kontrollera att en ljuddämpare med filtreringseffekt vid luftutloppet installeras, för att förhindra att eventuella partiklar som upphettats av friktionen, hamnar i den omgivande atmosfären.

Användning

- Se även till att produkten jordas till potentialutjämningsystemet i verkstaden, exempelvis genom lämpliga tillbehör såsom slangar och tryckluftsanslutningar.
- Det är användarens ansvar att se till att produkten och alla eventuella tillbehör, såsom nycklar och luftanslutningar, följer de nationella säkerhetsföreskrifterna för utrustning som skall användas i potentiellt explosiv atmosfär.

Användbar information

Webbplats

Information om våra produkter, tillbehör, reservdelar och publicerade ärenden hittar du på webbplatsen för Atlas Copco

Besök: www.atlascopco.com.

ServAid

ServAid är en portal som uppdateras kontinuerligt och som innehåller teknisk information, till exempel:

- Föreskrifter och säkerhetsinformation
- Tekniska data
- Installations-, drift- och serviceanvisningar
- Reservdelslistor
- Tillbehör

- Dimensionsritningar

Besök: <https://servaid.atlascopco.com>.

Kontakta närmaste representant för Atlas Copco om du behöver ytterligare teknisk information.

Технические данные

Технические данные

Код заказа	8411046413
Модель	LZB46-L-AR0004-11
Расход воздуха при макс. вых. мощности	14 л/с
Расход воздуха при макс. вых. мощности	29.7 куб. футов/мин
Тормозной момент	Нм
Тормозной момент	фунт силы-фут.
Встроенный тормоз	No
Материал наружных частей	Hardened steel/Aluminium
Скорость холостого хода	35 об/мин
Макс. вых. мощность	0.59 кВт
Макс. вых. мощность	0.79 л/с
Мин. пусковой момент	388 Нм
Мин. пусковой момент	286 фунт силы-фут.
Передаточное отношение	
Передаточное отношение	
Направление вращения	Reversible
Код нагрузки на вал	h
Тип вала	Keyed
Скорость при макс. вых. мощности	20 об/мин
Предельный перегрузочный момент	574 Нм
Предельный перегрузочный момент	423 фунт силы-фут.
Момент при макс. вых. мощности	287 Нм
Момент при макс. вых. мощности	212 фунт силы-фут.
Тип лопастей	Lubrication free
Вес	4.9 кг
Вес	10.8 фунта
Впускной шланг	10 мм
Впускной шланг	0.4 дюйма
Степень защиты корпуса	IP66
Выпускной шланг	16 мм
Выпускной шланг	0.6 дюйма

Класс защиты IP

Класс защиты IP пневмодвигателей относится к механическому корпусу согласно стандарту IEC 60529. Класс защиты IP не включает коррозионную стойкость или любые жидкости, кроме чистой пресной воды.

Декларации

ДЕКЛАРАЦИЯ ЕС О ВСТРАИВАНИИ ОБОРУДОВАНИЯ

Мы, Atlas Copco Industrial Technique AB, SE-105 23 STOCKHOLM SWEDEN, с полной ответственностью заявляем, что данное изделие (название, тип и серийный номер см. на первой странице) соответствует следующим важным требованиям Директивы о машинном оборудовании 2006/42/ЕС:

2006/42/ЕС (Annex I, clauses 1.1, 1.2 (excluding 1.2.4.3), 1.3, 1.4, 1.5, 1.6, 1.7)

А также, что данное частично укомплектованное оборудование соответствует положениям следующим Директивам ЕС:
2014/34/EU (ATEX)

Данное частично укомплектованное оборудование запрещается вводить в эксплуатацию до тех пор, пока не будет заявлено, что конечное оборудование, в которое оно должно быть встроено, соответствует положениям Директивы 2006/42/ЕС в соответствующих случаях.

Применены следующие (разделы/параграфы) согласованных стандартов ЕС:

EN 1127-1:2019, EN ISO 12100:2010, EN ISO 80079-36:2016, EN ISO 80079-37:2016

Соответствующая техническая документация была составлена и передана в соответствии с Директивой по машинному оборудованию 2006/42/ЕС, часть В приложения VII и Директивой АТЕХ 2014/34/EU, статья 13 (1) b ii, в нотифицированный орган ExVeritas ApS (идентификационный номер в ЕС: 2804) в Дании. Официальные органы могут запросить технический файл в бумажной форме для Директивы АТЕХ 2014/34/EU: <https://www.exveritas.com/2022/02/02/what-you-need-for-atex-and-ukca-explosive-atmosphere-certification-for-the-uk-and-eu-markets/>

Stockholm, 1 September 2023

Håkan Andersson, Managing Director

Подпись заявителя



Информация относительно статьи 33 в REACH

Регламент Европейского союза (ЕС) № 1907/2006, регулирующий регистрацию, экспертизу, лицензирование и оборот химических средств (REACH), определяет, помимо прочего, требования к коммуникации в цепочке поставок. Информационные требования распространяются также на продукты, которые содержат так называемые особо опасные вещества (перечень веществ-кандидатов). 27 июня 2018 года металлический свинец (CAS номер 7439-92-1) был внесен в перечень веществ-кандидатов.

В связи с вышеизложенным настоящим ставим вас в известность, что некоторые механические компоненты продукта могут содержать металлический свинец. Это соответствует действующему законодательству в отношении ограничения использования веществ и основано на законных исключениях, указанных в Директиве ЕС по ограничению использования опасных веществ RoHS (2011/65/EU). Металлический свинец не дает утечек или не видоизменяется в продукте во время нормальной эксплуатации, и концентрация металлического свинца в готовом продукте намного ниже применимого порогового значения. Необходимо учитывать местные требования к утилизации свинца после окончания срока службы продукта.

Региональные требования

⚠ ПРЕДУПРЕЖДЕНИЕ

В процессе использования данного продукта существует опасность подвергнуться воздействию химических веществ, в частности, свинца, который, согласно данным, имеющимся в штате Калифорния, вызывает раковые заболевания, врожденные дефекты развития или другие патологии репродуктивной системы. Более подробная информация представлена на веб-сайте

<https://www.p65warnings.ca.gov/>

Безопасность

НЕ ВЫБРАСЫВАТЬ — ПЕРЕДАТЬ ПОЛЬЗОВАТЕЛЮ

⚠ ПРЕДУПРЕЖДЕНИЕ Ознакомьтесь со всеми предупреждениями по безопасной работе, инструкциями, иллюстрациями и спецификациями, которые поставляются вместе с данным изделием.

Несоблюдение приведенных ниже инструкций может привести к поражению электрическим током, пожару, материальному ущербу и/или серьезной травме.

Сохраните все предупреждения и инструкции для справки на будущее.

⚠ ПРЕДУПРЕЖДЕНИЕ Необходимо неукоснительно соблюдать все местные законодательно закрепленные правила техники безопасности, касающиеся установки, эксплуатации и техобслуживания.

Предписание по использованию

- Только для профессионального использования.
- Запрещается модифицировать данное изделие и его принадлежности каким-либо образом.
- В случае повреждения данного изделия его использование запрещено.
- Если этикетка с информацией об изделии или с предупредительными знаками на корпусе изделия стала неразборчивой или отклеилась, без промедления замените ее.

- Данное устройство должно устанавливаться, эксплуатироваться и обслуживаться только квалифицированным персоналом в промышленных условиях.

Назначение

Данный двигатель предназначен для встраивания в стационарное или движущееся устройство. Он используется либо только для правого вращения, либо только для левого вращения, или для реверсивного вращения и при необходимости должен устанавливаться только на фланцевый или резьбовой наконечник. Любое другое использование запрещено.

Риск того, что двигатели могут стать источниками возгорания потенциально взрывоопасной атмосферы, чрезвычайно мал. Пользователь несет ответственность за оценку рисков, связанных со всем устройством, в которое должен встраиваться двигатель.

Особые инструкции по устройству

Предупреждение

⚠ ПРЕДУПРЕЖДЕНИЕ Опасности, связанные с полимерами

Лопастей данного изделия содержат материал PTFE (синтетический фторполимер политетрафторэтилен). Из-за износа внутри изделия могут присутствовать частицы PTFE. При нагревании PTFE могут образовываться пары, способные вызвать полимерную лихорадку с гриппоподобными симптомами, особенно при курении табака, загрязненного частицами PTFE.

При работе с лопастями и другими компонентами необходимо следовать правилам безопасности и нормам здравоохранения при работе с фторполимерами:

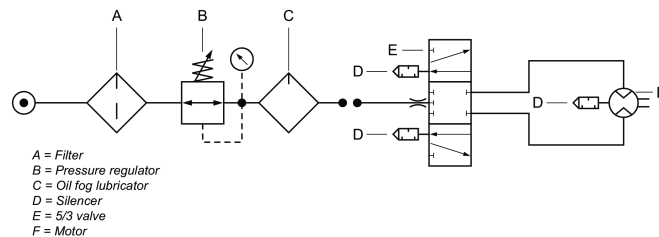
- ▶ Не следует курить при обслуживании данного изделия.
- ▶ Следует избегать контакта частиц PTFE с открытым огнем, раскаленными или горячими предметами.
- ▶ Компоненты двигателя необходимо промывать моющей жидкостью и не продувать сжатым воздухом.
- ▶ Прежде чем приступать к любой другой деятельности, следует вымыть руки.

Класс защиты IP

Класс защиты IP пневмодвигателей устанавливается в пневматическом режиме, выход или установленный глушитель не предусматриваются. Если пневмодвигатель эксплуатируется в условиях погружения или под сильной водяной струей, рекомендуется вывести выходы из воды с помощью шланга. Погружной двигатель должен всегда находиться под давлением, которое превышает давление соответствующей глубины.

Схема установки

Реверсивный двигатель



Подсоединение линии подачи сжатого воздуха

При подсоединении линии подачи сжатого воздуха к входному отверстию направление вращения соответствует показанным на рисунке ниже вариантам. Если необходимо обеспечить отвод отработанного воздуха, следует подсоединить шланг к соответствующему выходному отверстию.

Линию подачи сжатого воздуха следует подсоединять к соответствующему входному отверстию для требуемого направления вращения (см. рисунок ниже). Неиспользуемое входное отверстие работает как дополнительное выходное и не должно закрываться заглушкой.

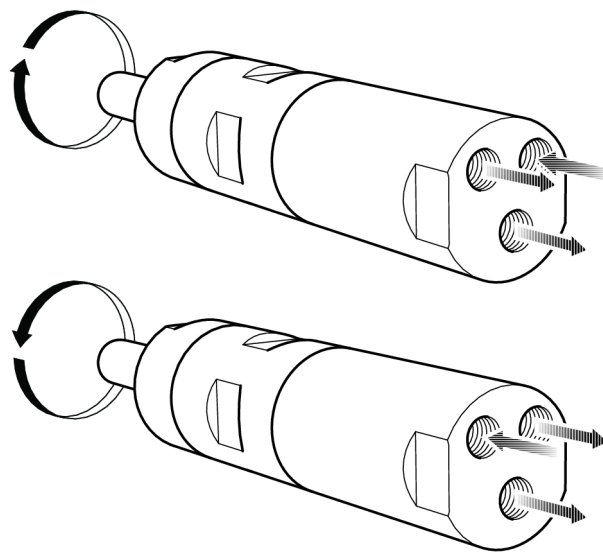
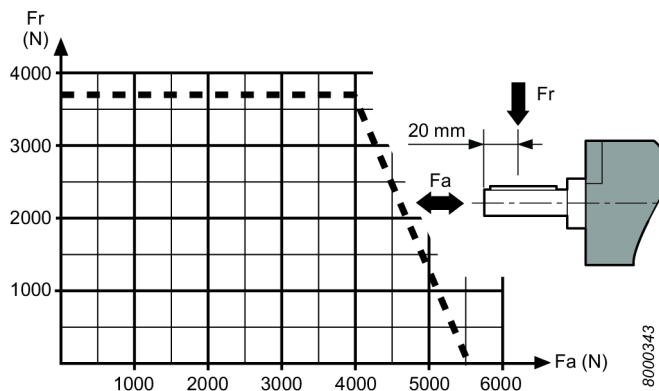


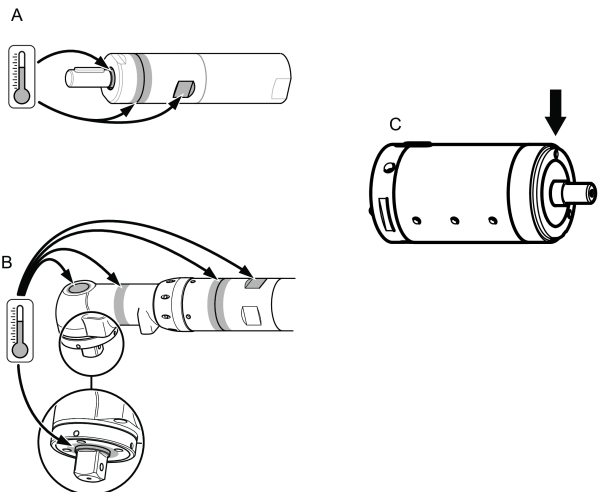
Диаграмма нагрузки на вал



Точки нагрева

Во время работы до высоких температур могут нагреваться следующие компоненты пневмодвигателя. На изображении показаны точки нагрева конкретных моделей.

- Уплотнительное кольцо на выходном валу (А, В, С)
- Соединение между передней частью и кольцом редуктора (А, В)
- Головка ключа (А, В)



Самые высокие температуры возникают, когда двигатель работает при полном давлении без нагрузки. С увеличением крутящего момента уменьшается скорость вращения пневмодвигателя и температура.

Предупреждение

Перед использованием этого двигателя ознакомьтесь с инструкциями по эксплуатации.

Двигатель, дополнительное оборудование и принадлежности к нему должны использоваться только по своему назначению.

Для надежности и безопасности двигателя или дополнительного оборудования любые конструкционные изменения, которые могут повлиять на его надежность, должны быть согласованы с техническим представителем производителя.

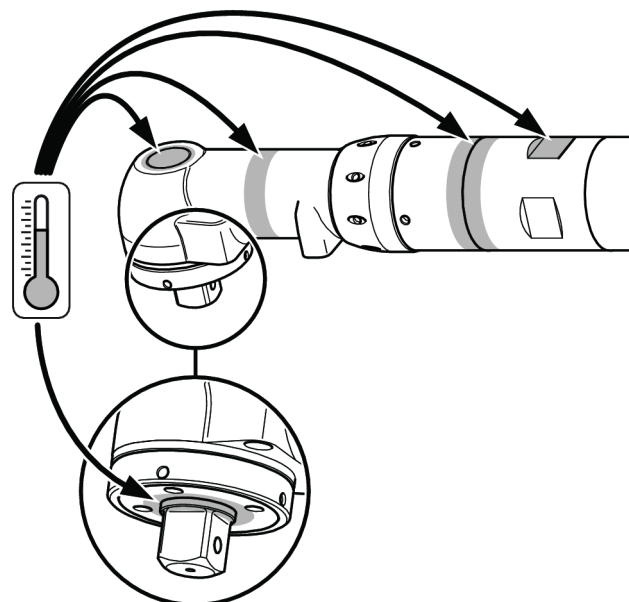
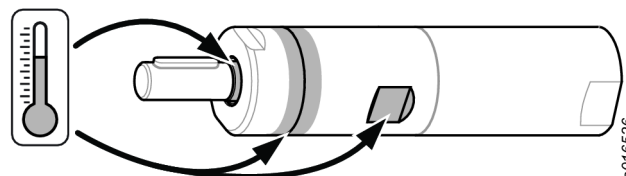
Чтобы избежать травмы и долговременные риски:

- Если двигатель прошел сертификацию АТЕХ, на его выходные отверстия должны быть установлены фильтры / глушители.
Глушители также рекомендуется использовать для других областей применения с целью уменьшения шумового воздействия.
- Перед выполнением любых регулировочных операций отсоедините двигатель от пневмолинии.
- **будьте внимательны: руки, волосы и одежда должны быть на достаточном расстоянии от подвижных частей машины.**

Техническое обслуживание

- Техобслуживание и ремонт данного устройства АТЕХ разрешается проводить только уполномоченному персоналу. По завершении следует выполнить испытание без нагрузки и температурные измерения указанных на рисунке нагреваемых компонентов, по результатам которых необходимо составить протокол.

После 5-минутной проверки без нагрузки температура поверхности не должна превышать суммы значений 45°C + температура окружающей среды", где температура окружающей среды может варьироваться в диапазоне от $0 - 40^{\circ}\text{C}$.



Общие правила техники безопасности

Опасности, связанные с подсоединением и подачей сжатого воздуха

- Воздух под давлением может вызвать серьезную травму.
- Когда инструмент не используется, а также перед заменой его принадлежностей или при проведении ремонтных работ, обязательно отключите подачу сжатого воздуха, сбросьте давление воздуха в шланге и отсоедините инструмент от линии подачи сжатого воздуха.
- Запрещается направлять поток воздуха на себя или на кого-либо еще.
- Биение шлангов может привести к серьезной травме. Обязательно проверяйте шланги и фитинги на предмет повреждения или слабого закрепления.

- Не превышайте максимально допустимого значения давления воздуха 6,3 бара (90 фунтов на кв. дюйм, ман.) или значения, указанного на паспортной табличке инструмента.

Опасность затягивания в устройство

- Избегайте вращающегося привода. При несоблюдении безопасной дистанции между волосами, свободной одеждой, перчатками, ювелирными украшениями, шарфами или галстуками и инструментом или его принадлежностями возможны удушение, вырывание волос и сдирание кожи с головы или получение рваных ран.

Опасность вылета осколков

- Всегда надевайте ударопрочные средства защиты глаз и лица при непосредственном участии или нахождении рядом в процессе работы, ремонта или техобслуживания инструмента либо замены его принадлежностей.
- Убедитесь, что на всех остальных людях, находящихся в рабочей зоне, надеты ударопрочные средства защиты глаз и лица. Даже мелкие вылетевшие осколки могут повредить глаза и вызвать слепоту.
- Убедитесь, что обрабатываемая деталь надежно закреплена.

Опасности при работе

- Надежно зафиксируйте инструмент.
- Перед снятием обрабатываемой детали убедитесь, что инструмент полностью остановился.
- На устройстве, в которое встроены двигатель или моментный двигатель, обязательно должны быть установлены органы запуска, останова и аварийного останова.

Опасность шума

- Высокий уровень шума может вызвать постоянную потерю слуха и другие проблемы, такие как звон в ушах. Используйте средства защиты органов слуха, рекомендованные вашим работодателем или правилами охраны труда и безопасности.
- Чтобы предотвратить ненужное повышение уровней шума, эксплуатируйте и обслуживайте инструмент, а также подбирайте, обслуживайте и заменяйте его принадлежности и расходные материалы в соответствии с данным руководством.

Опасности на рабочем месте

- Подскальзывание, спотыкание и падение являются основными причинами серьезных травм и смерти. Остерегайтесь избыточных частей шлангов, оставленных в зоне прохода или на рабочей площадке.
- Не вдыхайте пыль или пары или продукты обработки, которые могут приводить к ухудшению состояния здоровья (например, рак, врожденные пороки, астма и/или дерматит). При работе с материалами, выделяющими переносимые по воздуху частицы, используйте систему вытяжки пыли и надевайте средства защиты органов дыхания.

- Некоторые виды пыли, образующейся при пескоструйной обработке, пилении, шлифовании, сверлении и других строительных работах, содержат химические вещества, признанные в штате Калифорния веществами, вызывающими рак и врожденные пороки развития либо негативно влияющими на репродуктивную систему. Ниже перечислены некоторые из таких химических веществ:

- свинец из красок на свинцовой основе;
- кирпичи, цемент и другие стеновые изделия из кристаллического кремнезема;
- мышьяк и хром из химически обработанного каучука (резины).

Ваш риск в отношении перечисленных воздействий меняется в зависимости от того, как часто вы выполняете данный вид работ. Чтобы уменьшить воздействие на вас указанных химических веществ, работайте в хорошо вентилируемом помещении с применением одобренных средств защиты, таких как пылезащитные маски, предназначенные специально для фильтрации микроскопических частиц.

- Соблюдайте осторожность при работе в незнакомом месте. Остерегайтесь потенциальных опасностей, создаваемых вашими рабочими действиями. Этот инструмент не изолирован от соприкосновения с источниками электропитания.

Обозначения и наклейки

На данном изделии имеются знаки и наклейки, содержащие важную информацию по технике безопасности и техобслуживанию изделия. Знаки и наклейки должны всегда оставаться разборчивыми. Новые знаки и наклейки можно заказать по перечню запчастей.



s011050

Информация по сертификации ATEX

Расшифровка кода ATEX

Код ATEX:



Ex II 2 G Ex h IIC T6 Gb

Ex II 2 D Ex h IIIC T85°C Db

<meta-ref type="dynamic" name="AC.ITBA.RPD.se.atlas-copco.ATEX_code">[RPD ATEX code]</meta-ref> °C ≤ Ta ≤ 40 °C

Описание	Значение	Расшифровка
Группа оборудования	II	Оборудование для работы на поверхности

Описание	Значение	Расшифровка
Категория оборудования	2	Высокая степень защиты
Группа II		<ul style="list-style-type: none"> • зона 1 (газ) • зона 2 (газ) • зона 21 (пыль) • зона 22 (пыль)
Атмосфера	G	Атмосфера, содержащая газ, пары или туман
	D	Атмосфера, содержащая пыль
Проектирование с учетом безопасности	h	Механическое изделие
Газовая группа	HC	Водород / ацетилен
	HB	Этилен
Пылевая группа	HС	Поверхностная горячая пыль
Макс. температура поверхности в газовой атмосфере		T1 = 450 °C T2 = 300 °C T3 = 200 °C T4 = 135 °C T5 = 100 °C T6 = 85 °C
Макс. температура поверхности в пылевой атмосфере		Примеры значений температуры: T85 °C T110 °C T120 °C T125 °C T240 °C
Особое ограничение, например, диапазон температуры окружающей среды.	X	

Температуры

- Максимальная температура окружающей среды, для которой действительна данная сертификация, составляет 40°C.
- 40°C также является максимально допустимой температурой сжатого воздуха на входе устройства.
- Если устройство устанавливается на оборудование, то все оборудование должно соответствовать директиве 2014/34/ЕС.

- Убедитесь, что сжатый воздух удовлетворяет нашим требованиям по качеству (классы качества 2.4.3 и 3.4.4 соответственно, 3.5.4 по стандарту ISO/DIS 8573-1:2010).
- Не превышайте максимально допустимого значения давления 6,3 бара или значения, указанного на паспортной табличке изделия. Превышение рабочего давления может привести к повышению температуры поверхности из-за более высокой скорости вращения, в результате чего изделие может стать источником возгорания.

Классификация Ex

Если данное изделие входит в состав сборочного узла, компоненты которого имеют различные коды классификации Ex, то код классификации Ex всего узла определяется компонентом с наименьшей степенью безопасности.

Рекомендации по взрывобезопасности

Чистота

- Необходимо регулярно очищать изделие от пыли и грязи, чтобы предотвратить повышение температуры подшипников и поверхности.
- Если используется глушитель. Убедитесь, что установлен глушитель с эффектом фильтрации на выходе воздуха для предотвращения выпуска нагретых в результате трения частиц в окружающую атмосферу.

Использование

- Убедитесь, что изделие заземлено на цеховую систему уравнивания потенциалов, например с помощью таких принадлежностей, как шланги и пневматические соединения.
- Пользователь несет ответственность за обеспечение соответствия изделия и всех его возможных принадлежностей, таких как гаечные ключи и пневматические соединения, государственным нормам техники безопасности для оборудования, используемого в потенциально взрывоопасных зонах.

Полезные сведения

Веб-сайт

На веб-сайте Atlas Copco представлена информация о наших изделиях, принадлежностях, запасных частях, а также печатные материалы.

Посетите: www.atlascopco.com.

Программа ServAid

ServAid – постоянно обновляемый портал, на котором содержится следующая техническая информация.

- Информация о нормативных требованиях и технике безопасности.
- Технические данные

- Инструкции по установке, эксплуатации и техобслуживанию.
- Перечень запасных частей.
- Принадлежности.
- Габаритные чертежи

Посетите: <https://servaid.atlascopco.com>.

Для получения дополнительной информации обратитесь к местному представителю Atlas Copco.

Dane techniczne

Dane techniczne

Nr zamówienia	8411046413
Model	LZB46-L-AR0004-11
Zużycie powietrza przy maks. mocy wyjściowej	14 l/s
Zużycie powietrza przy maks. mocy wyjściowej	29.7 cfm
Moment hamujący	Nm
Moment hamujący	ft lb
Wbudowany hamulec	No
Materiał elementów zewnętrznych	Hardened steel/Aluminium
Prędkość obrotowa bez obciążenia	35 obr./min
Maks. moc wyjściowa	0.59 kW
Maks. moc wyjściowa	0.79 hp
Min. moment rozruchowy	388 Nm
Min. moment rozruchowy	286 ft lb
Przełożenie	
Przełożenie przekładni	
Kierunek obrotów	Reversible
Kod obciążenia wałka	h
Typ wałka	Keyed
Prędkość obrotowa przy maks. mocy wyjściowej	20 obr./min
Moment utyku	574 Nm
Moment utyku	423 ft lb
Moment obrotowy przy maks. mocy wyjściowej	287 Nm
Moment obrotowy przy maks. mocy wyjściowej	212 ft lb
Typ łopatek	Lubrication free
Masa	4.9 kg
Masa	10.8 lb
Wąż wlotowy	10 mm
Wąż wlotowy	0.4 cala
Stopień ochrony przed wnikaniem	IP66
Wąż wylotowy	16 mm
Wąż wylotowy	0.6 cala

Stopień ochrony IP

Stopień ochrony IP silników pneumatycznych dotyczy obudów zgodnych z normą IEC 60529. Stopień ochrony IP nie obejmuje odporności na korozję ani płyny inne niż czysta słodka woda.

Deklaracje

DEKLARACJA WŁĄCZENIA UE MASZYN NIEUKOŃCZONEJ

Firma Atlas Copco Industrial Technique AB, SE-105 23 STOCKHOLM SWEDEN, oświadcza na swoją wyłączną odpowiedzialność, że produkt ten (którego nazwę, typ i numer seryjny podano na stronie tytułowej) jest zgodny z zasadniczymi wymaganiami dyrektywy maszynowej 2006/42/WE: 2006/42/EC (Annex I, clauses 1.1, 1.2 (excluding 1.2.4.3), 1.3, 1.4, 1.5, 1.6, 1.7)

Oraz że ta częściowo ukończona maszyna jest zgodna z postanowieniami następujących dyrektyw unijnych: 2014/34/EU (ATEX)

Tego częściowo ukończonego produktu nie należy oddawać do eksploatacji, dopóki urządzenie końcowe, w którym ten produkt zostanie wmontowany, nie uzyska zgodności z postanowieniami dyrektywy maszynowej 2006/42/WE, tam gdzie jest to stosowne.

Zastosowanie mają następujące (części/klauzule) europejskich norm zharmonizowanych:

EN 1127-1:2019, EN ISO 12100:2010, EN ISO 80079-36:2016, EN ISO 80079-37:2016

Oдносна документация техническая została zgłoszona zgodnie z częścią B załącznika VII do dyrektywy 2006/42/WE oraz artykułu 13 (1) b ii dyrektywy ATEX 2014/34/UE w jednostce notyfikowanej ExVeritas ApS (nr identyfikacyjny w UE: 2804) w Danii. Władze mogą zażądać dokumentacji technicznej dotyczącej dyrektywy ATEX 2014/34/UE w formie drukowanej od:

<https://www.exveritas.com/2022/02/02/what-you-need-for-atex-and-ukca-explosive-atmosphere-certification-for-the-uk-and-eu-markets/>

Stockholm, 1 September 2023

Håkan Andersson, Managing Director

Podpis osoby zatwierdzającej



Informacje dotyczące artykułu 33 rozporządzenia REACH

Rozporządzenie Unii Europejskiej (UE) nr 1907/2006 w sprawie rejestracji, oceny, udzielania zezwoleń i stosowanych ograniczeń w zakresie chemikaliów (REACH) definiuje między innymi wymagania dotyczące komunikacji w łańcuchu dostaw. Wymóg informacyjny ma zastosowanie do

produktów zawierających tak zwane substancje stanowiące bardzo duże zagrożenie (lista kandydacka). 27 czerwca 2018 do listy kandydackiej dodano ołów (CAS nr 7439-92-1).

W związku z powyższym niniejszy dokument służy poinformowaniu, że niektóre podzespoły mechaniczne produktu mogą zawierać ołów. Jest zgodny z obowiązującymi przepisami dotyczącymi substancji zakazanych i został opracowany w oparciu o zatwierdzone wyłączenia w dyrektywie RoHS (2011/65/UE). Ołów nie będzie wyciekał z produktu ani zmieniał formy podczas normalnej eksploatacji i jego stężenie w całym produkcie jest znacznie niższe niż obowiązująca wartość graniczna. Należy przestrzegać lokalnych wymagań dotyczących utylizacji ołowiu po upływie okresu eksploatacji produktu.

Wymagania regionalne

⚠️ OSTRZEŻENIE

Ten produkt może narazić użytkownika na kontakt z chemikaliami, między innymi ołowiem, który wg władz stanu Kalifornia powoduje raka, wady wrodzone i upośledzenie płodności. Więcej informacji podano w witrynie

<https://www.p65warnings.ca.gov/>

Bezpieczeństwo

Nie wyrzucać — przekazać użytkownikowi

⚠️ OSTRZEŻENIE Należy przeczytać wszystkie ostrzeżenia dotyczące bezpieczeństwa oraz zapoznać się ze wszystkimi instrukcjami, ilustracjami i specyfikacjami dostarczonymi z produktem.

Nieprzestrzeganie wszystkich zmieszczonych poniżej instrukcji może doprowadzić do szkody materialnej, porażenia prądem elektrycznym, pożaru i/lub poważnych obrażeń.

Wszystkie ostrzeżenia i instrukcje należy zachować do wykorzystania w przyszłości.

⚠️ OSTRZEŻENIE Należy zawsze przestrzegać wszystkich lokalnych przepisów dotyczących instalacji, obsługi i konserwacji.

Oświadczenie o przeznaczeniu

- Wyłącznie do użytku profesjonalnego.
- Nie wolno w żaden sposób modyfikować produktu ani jego akcesoriów.
- Nie należy użytkować uszkodzonego produktu.
- Jeśli umieszczone na produkcie etykiety zawierające dane produktu lub ostrzegające przed niebezpieczeństwem przestaną być czytelne lub odpadną, należy je niezwłocznie wymienić.
- Produkt musi być instalowany, obsługiwany i serwisowany wyłącznie przez wykwalifikowaną osobę w warunkach przemysłowych.

Przeznaczenie

Niniejszy silnik jest przeznaczony do zamontowania w stałym lub ruchomym narzędziu. Może on być przeznaczony tylko do obrotów w prawo, tylko do obrotów w lewo lub do obrotów w obu kierunkach i powinien być montowany wyłącznie za pośrednictwem kołnierza lub gwintowanej głowicy, stosownie do wymagań. Używanie do innych celów jest niedozwolone.

Niebezpieczeństwo tego, że silniki mogą stać się źródłem zapłonu w atmosferze potencjalnie wybuchowej, jest niezwykle małe. Użytkownik jest odpowiedzialny za dokonanie oceny zagrożeń związanych z całym narzędziem, w którym ma być zamontowany silnik.

Instrukcje dotyczące produktu

Ostrzeżenie

⚠️ OSTRZEŻENIE Zagrożenia wynikające z zastosowania polimerów

Łopatkki w tym produkcie zawierają PTFE (politetrafluoroetylen). Z powodu zużycia mechanicznego, cząsteczki PTFE mogą znajdować się wewnątrz produktu. W przypadku podgrzania PTFE może wytwarzać opary, które mogą spowodować tzw. gorączkę fluoro-polimerową o objawach podobnych do objawów grypy, szczególnie w przypadku palenia zanieczyszczonego tytoniu.

Podczas obsługi łopatek i innych elementów należy przestrzegać następujących zaleceń BHP dotyczących kontaktu z politetrafluoroetylenem:

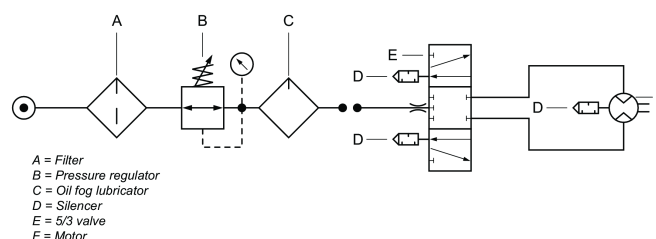
- ▶ Nie palić tytoniu podczas obsługi technicznej produktu.
- ▶ Nie dopuszczać do kontaktu cząsteczek PTFE z otwartym ogniem, żarem lub wysoką temperaturą.
- ▶ Elementy silnika należy myć środkiem czyszczącym, nie zaś czyścić sprężonym powietrzem.
- ▶ Przed rozpoczęciem jakichkolwiek innych czynności należy umyć ręce.

Stopień ochrony IP

Stopień ochrony IP silników pneumatycznych jest określany w stanie pod ciśnieniem i nie obejmuje wylotu ani dołączonego tłumika. Jeśli silnik będzie pracował w zanurzeniu lub będzie narażony na działanie silnych strumieni wody, zaleca się podłączyć wąż i skierować wylot poza źródło wody. W zanurzeniu silnik powinien być zawsze pod ciśnieniem, a jego wartość powinna być wyższa niż głębokość, na której się znajduje.

Schemat montażowy

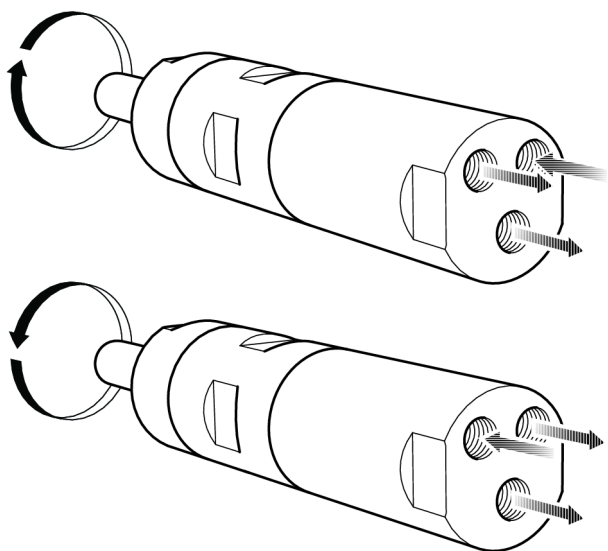
Silnik nawrotny



Podłączenie dopływu powietrza

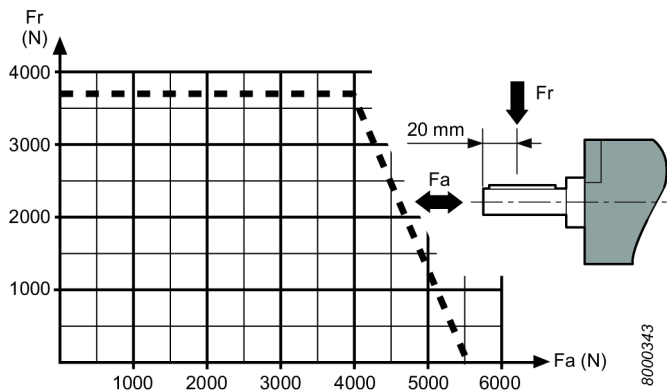
Po podłączeniu dopływu sprężonego powietrza do wlotu, kierunek obrotów będzie taki, jak pokazano na poniższym rysunku. Jeżeli powietrze wywiewane ma być odprowadzane, wąż powinien być podłączony do otworu wylotowego.

Dopływ sprężonego powietrza należy podłączyć do odpowiedniego wlotu, który zapewnia żądany kierunek obrotów, patrz poniższy rysunek. Niewykorzystywany wlot pełni rolę dodatkowego wylotu, dlatego nie wolno go zaślepić.



8015473

Wykres obciążenia wałka

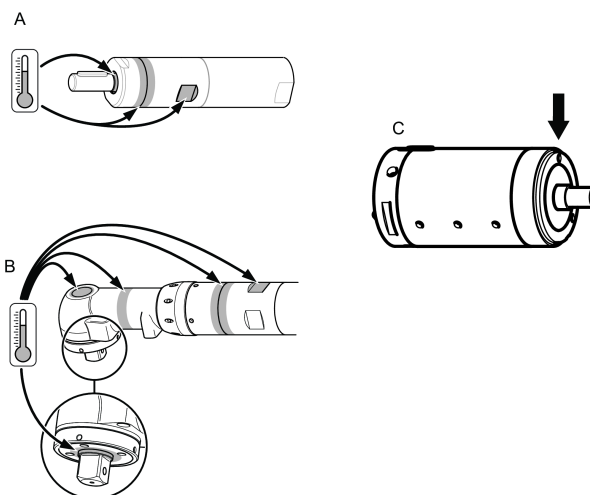


8000343

Gorące punkty

Wymienione poniżej elementy silnika mogą osiągnąć wysokie temperatury podczas pracy: Obraz przedstawia rozgrzewające się elementy określonych modeli:

- Pierścień uszczelniający na wałku wyjściowym (A, B, C)
- Połączenie między częścią przednią i wieńcem zębatym (A, B)
- Uchwyt zaciskany kluczem (A, B)



102226601

Najwyższe temperatury występują, gdy silnik działa przy maksymalnym ciśnieniu bez obciążenia. Wraz ze wzrostem momentu obrotowego silnik pneumatyczny obniża prędkość obrotową i temperaturę.

Ostrzeżenie

Przed użyciem silnika należy zaznajomić się z instrukcjami dotyczącymi jego obsługi.

Silnika, jego osprzętu i akcesoriów można używać wyłącznie w celach, do których zostały przeznaczone.

Z przyczyn odpowiedzialności za skutki wad produktu oraz z przyczyn bezpieczeństwa wszelkie modyfikacje silnika lub jego wyposażenia dodatkowego, które mogłyby mieć wpływ na odpowiedzialność za skutki wad produktu, można przeprowadzać wyłącznie za aprobatą techniczną producenta.

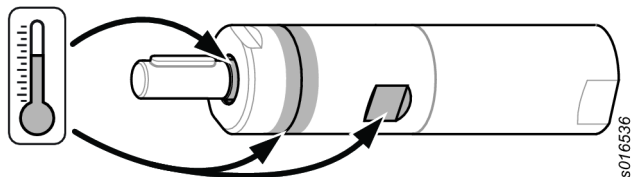
W celu zapobieżenia obrażeniom osób oraz niebezpieczeństwom długoterminowym należy przedsięwziąć następujące środki:

- Jeśli silnik posiada certyfikację ATEX, w przyłączach wylotowych silnika należy zamontować filtry/tłumiki. Użycie tłumików zaleca się również w innych zastosowaniach w celu zmniejszenia hałasu.
- Odłączyć silnik od przewodu pneumatycznego przed przystąpieniem do wykonywania jakichkolwiek regulacji.
- **Zwracać uwagę na dłonie, włosy i odzież - zawsze trzymać je z dala od wirujących części.**

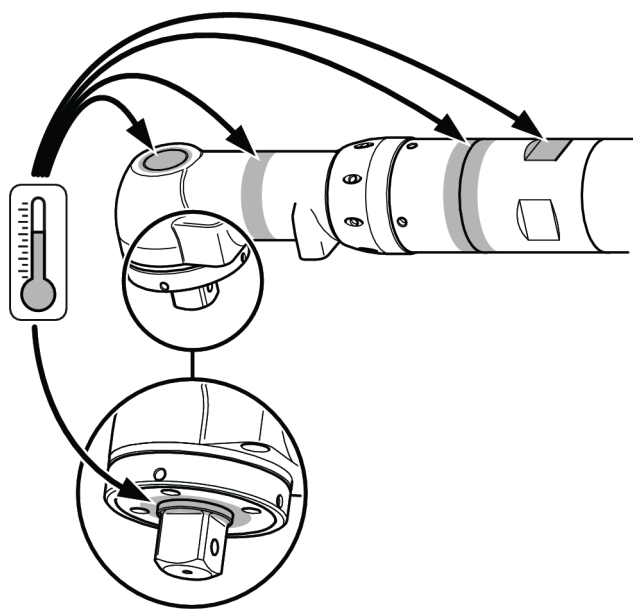
Konserwacja

- Konserwacja i naprawy niniejszego produktu spełniającego wymogi dyrektyw ATEX muszą być przeprowadzane wyłącznie przez autoryzowany personel. Po zakończeniu prac konserwacyjnych i naprawczych należy przeprowadzić próbę bez obciążenia i dokonać pomiarów temperatury gorących punktów (pokazanych na rysunku). Wyniki pomiarów muszą zostać zapisane w protokole.

Po przeprowadzeniu 5-minutowej próby bez obciążenia temperatura powierzchniowa nie może w żadnym wypadku przekraczać sumy 45°C + temperatura otoczenia, gdzie temperatura otoczenia może zmieniać się w zakresie $0 - 40^{\circ}\text{C}$.



s016536



s016534

Ogólne instrukcje bezpieczeństwa

Zagrożenia związane z podłączeniem do źródła sprężonego powietrza

- Powietrze pod ciśnieniem może spowodować poważne obrażenia.
- W przypadku nieużywania narzędzia lub przed przystąpieniem do zmiany akcesoriów bądź do wykonania naprawy należy zawsze odciąć dopływ sprężonego powietrza, usunąć ciśnienie z przewodu elastycznego oraz odłączyć narzędzie od źródła sprężonego powietrza.
- Nie wolno kierować sprężonego powietrza na siebie lub inną osobę.
- Wężę wprowadzone w nagły ruch przez wydostające się sprężone powietrze mogą spowodować poważne obrażenia. Zawsze należy sprawdzić, czy elastyczne przewody pneumatyczne i złączki nie są uszkodzone lub obluźnione.
- Nie wolno przekraczać maksymalnej wartości ciśnienia powietrza wynoszącej 6,3 bara (90 psig) lub wartości podanej na tabliczce znamionowej narzędzia.

Niebezpieczeństwo pochwycenia

- Zachować bezpieczny odstęp od obracającego się mechanizmu napędowego. Pochwycenie luźnej odzieży, rękawic, biżuterii, krawatów bądź apaszek oraz włosów przez narzędzie lub jego akcesoria grozi uduszeniem, oskalpowaniem i/lub zranieniem.

Niebezpieczeństwo zranienia odłamkami

- Podczas posługiwania się narzędziem, a także podczas naprawy lub konserwacji narzędzia bądź w trakcie wymiany jego akcesoriów należy zawsze nosić odporne na uderzenia okulary ochronne i osłonę twarzy.
- Należy zadbać o to, aby inne znajdujące się w pobliżu osoby nosiły okulary ochronne i osłonę twarzy. Nawet małe odłamki mogą uszkodzić oczy i spowodować ślepotę.
- Upewnić się, że obrabiany przedmiot jest pewnie zamocowany.

Zagrożenia występujące podczas pracy z narzędziami

- Prawidłowo zamocować narzędzie.
- Przed wyjęciem obrabianego przedmiotu należy poczekać, aż narzędzie zatrzyma się całkowicie.
- Narzędzie, w którym zamontowany jest silnik/silnik momentowy, musi być zawsze wyposażone we włącznik, wyłącznik i wyłącznik awaryjny.

Zagrożenia powodowane hałasem

- Wysokie poziomy hałasu mogą spowodować trwałą utratę słuchu i inne problemy, takie jak szum w uszach. Należy stosować ochronniki słuchu zalecane przez pracodawcę lub przepisy bezpieczeństwa i higieny pracy.
- Aby zapobiec występowaniu nadmiernego wzrostu poziomu hałasu, należy użytkować i konserwować narzędzie, a także dobierać, konserwować i wymieniać akcesoria oraz materiały eksploatacyjne zgodnie ze wskazówkami zamieszczonymi w niniejszej instrukcji obsługi.

Zagrożenia związane z miejscem pracy

- Główną przyczyną poważnych obrażeń lub śmierci jest poślizgnięcie/przewrócenie/upadek. Należy uważać na luźne przewody elastyczne pozostawione na przejściach lub na powierzchniach roboczych.
- Unikać wdychania pyłu lub dymów, a także kontaktu z opiłkami powstającymi w trakcie pracy, gdyż może to spowodować pogorszenie się stanu zdrowia (na przykład przyczynić się do powstania nowotworów, wad wrodzonych, astmy i/lub zapalenia skóry). W przypadku obróbki materiałów powodujących duże zapylenie należy stosować urządzenia odpylające oraz sprzęt ochrony dróg oddechowych.
- W skład niektórych rodzajów pyłu powstającego podczas polerowania, piłowania, szlifowania, wiercenia i innych operacji wchodzi substancje chemiczne, które — zgodnie z wiedzą posiadaną przez władze stanu Kalifornia — mogą powodować nowotwory, wady wrodzone lub problemy związane z rozrodczością. Przykładami takich substancji chemicznych są między innymi:
 - ołów pochodzący z farb ołowiowych,
 - cegły silikatowe i cement oraz inne produkty murarskie,
 - arsen i chrom pochodzące z chemicznie przetwarzanej gumy.

Zagrożenia związane z oddziaływaniem tych substancji zależą od częstotliwości wykonywania tego rodzaju pracy. Aby zmniejszyć narażenie na oddziaływanie tych substancji chemicznych, należy: pracować w dobrze wentylowanych miejscach i używać atestowanego

wyposażenia ochronnego, np. masek przeciwpyłowych przeznaczonych do zatrzymywania mikroskopijnych cząsteczek.

- Należy zachować ostrożność w nieznanym otoczeniu. Należy mieć świadomość istnienia potencjalnych zagrożeń powodowanych przez wykonywane prace. Niniejsze narzędzie nie ma izolacji zabezpieczającej przed kontaktem ze źródłami zasilania energią elektryczną.

Oznakowania i naklejki

Na produkcie umieszczone są znaki i naklejki zawierające ważne informacje dotyczące bezpieczeństwa ludzi i konserwacji produktu. Znaki i naklejki powinny być zawsze czytelne. Nowe znaki i naklejki można zamówić, korzystając z listy części zamiennych.



s011050

Informacje o certyfikacie ATEX

Definicja kodu ATEX

Kod ATEX ma następującą postać:



Ex II 2 G Ex h IIC T6 Gb
 Ex II 2 D Ex h IIIC T85°C Db
 $^{\circ}\text{C} \leq \text{Ta} \leq 40^{\circ}\text{C}$

Opis	Wartość	Definicja
Grupa sprzętu	II	Przemysł powierzchniowy
Kategoria sprzętu	2	Wysoki poziom ochrony
Grupa II		<ul style="list-style-type: none"> strefa 1 (gaz) strefa 2 (gaz) strefa 21 (pył) strefa 22 (pył)
Atmosfera	G	Atmosfera zawierająca gaz, opary lub mgłę
	D	Atmosfera zawierająca pył
Konstrukcja zabezpieczająca	h	Produkt mechaniczny
Grupa gazowa	IIC	Wodór/acetylen
	IIB	Etylen
Grupa pyłu	IIIC	Pył palny powierzchniowo

Opis	Wartość	Definicja
Maks. temperatura powierzchniowa w atmosferze gazowej		T1 = 450°C T2 = 300°C T3 = 200°C T4 = 135°C T5 = 100°C T6 = 85°C
Maks. temperatura powierzchniowa w atmosferze pyłowej		Przykładowe temperatury: T85°C T110°C T120°C T125°C T240°C
Szczególne ograniczenie, na przykład zakres temperatur otoczenia.	X	

Temperatury

- Maksymalna temperatura otoczenia, przy której jest ważny niniejszy certyfikat, wynosi 40°C.
- 40°C to również maksymalna dopuszczalna temperatura sprężonego powietrza na wlocie do produktu.
- Jeśli produkt zostanie zamontowany w jakimś urządzeniu, całe urządzenie musi spełniać wymagania dyrektywy 2014/34/UE.
- Należy zwrócić uwagę na to, aby sprężone powietrze spełniało nasze wymagania jakościowe (klasy jakości odpowiednio 2.4.3 i 3.4.4 względnie 3.5.4 wg normy ISO/DIS 8573-1:2010).
- Nie wolno przekraczać maksymalnej wartości ciśnienia wynoszącej 6,3 bara lub wartości podanej na tabliczce znamionowej produktu. Przekroczenie ciśnienie roboczego może spowodować wzrost temperatury powierzchniowej z powodu wyższej prędkości obrotowej, w wyniku czego produkt może stać się źródłem zapłonu.

Klasyfikacja Ex

Jeśli produkt jest częścią zespołu, którego elementy różnią się pod względem klasyfikacji Ex, klasyfikacja Ex całego zespołu określana jest na podstawie elementu o najniższym poziomie bezpieczeństwa.

Wytyczne w zakresie zapobiegania wybuchom

Czystość

- Produkt należy utrzymywać w stanie wolnym od pyłu i brudu, aby zapobiec wzrostowi temperatury łożysk i powierzchni obudowy.

- W przypadku używania tłumika hałasu: Należy pamiętać o zamontowaniu na wylocie powietrza tłumika hałasu z filtrem, aby zapobiec wydostawaniu się rozgrzanych w wyniku tarcia cząstek do otaczającego powietrza.

Użytkowanie

- Produkt musi być uziemiony do układu przewodów wyrównawczych w warsztacie, na przykład za pośrednictwem elementów takich jak węże i złącza pneumatyczne.
- Użytkownik ponosi odpowiedzialność za zgodność produktu oraz wszystkich dostępnych akcesoriów, takich jak klucze i złącza pneumatyczne, z obowiązującymi krajowymi przepisami bezpieczeństwa dotyczącymi wyposażenia używanego na obszarach zagrożonych wybuchem.

Przydatne informacje

Strona internetowa

Informacje o naszych produktach, akcesoriach, częściach zamiennych i publikacjach można odnaleźć na stronie Atlas Copco.

Zapraszamy do odwiedzenia: www.atlascopco.com.

ServAid

ServAid jest stale aktualizowanym portalem zawierającym informacje techniczne takie jak:

- Informacje prawne i dotyczące bezpieczeństwa
- Dane techniczne
- Instrukcje instalacji, obsługi i serwisowania
- Listy części zamiennych
- Akcesoria
- Rysunki wymiarowe

Zapraszamy do odwiedzenia: <https://servaid.atlascopco.com>.

W celu uzyskania dodatkowych informacji należy skontaktować się z lokalnym przedstawicielem Atlas Copco.

Technické údaje

Technické údaje

Objednávacie č.	8411046413
Model	LZB46-L-AR0004-11
Spotreba vzduchu pri max. výstupe	14 l/s
Spotreba vzduchu pri max. výstupe	29.7 cfm
Brzdny moment	Nm
Brzdny moment	ft lb
Zabudovaná brzda	No
Materiál externých dielov	Hardened steel/Aluminium
Rýchlosť pri voľnobehu	35 ot./min
Max. výstup	0.59 kW

Max. výstup	0.79 hp
Min. počiatocny moment	388 Nm
Min. počiatocny moment	286 ft lb
Pomer	
Prevodovy pomer	
Smer otáčania	Reversible
Kód zaťaženia hriadeľa	h
Typ hriadeľa	Keyed
Rýchlosť pri max. výstupe	20 ot./min
Korunkovy moment	574 Nm
Korunkovy moment	423 ft lb
Moment pri max. výstupe	287 Nm
Moment pri max. výstupe	212 ft lb
Typ lopatky	Lubrication free
Hmotnosť	4.9 kg
Hmotnosť	10.8 lb
Vstupná hadica	10 mm
Vstupná hadica	0.4 in
Hodnotenie ochrany proti vniknutiu vody	IP66
Výstupná hadica	16 mm
Výstupná hadica	0.6 in

Hodnotenie IP

Hodnotenie IP vzduchových motorov odkazuje na mechanické puzdro podľa normy IEC 60529. Hodnotenie IP nezahŕňa odolnosť proti korózii ani žiadne iné kvapaliny okrem čistej čerstvej vody.

Vyhlásenia

EÚ VYHLÁSENIE O ZAČLENENÍ

My, Atlas Copco Industrial Technique AB, SE-105 23 STOCKHOLM SWEDEN, vyhlasujeme na našu výhradnú zodpovednosť, že tento výrobok (s názvom, typovým a výrobným číslom, pozri prednú stranu) spĺňa nasledujúce základné požiadavky smernice o strojových zariadeniach 2006/42/ES:

2006/42/EC (Annex I, clauses 1.1, 1.2 (excluding 1.2.4.3), 1.3, 1.4, 1.5, 1.6, 1.7)

A že toto čiastočne skompletizované strojové zariadenie je v zhode s ustanoveniami nasledujúcej ďalšej smernice/smerníc EÚ:

2014/34/EU (ATEX)

Toto čiastočne skompletizované strojové zariadenie nesmie byť uvedené do prevádzky, kým nebude konečné strojové zariadenie, do ktorého má byť toto strojové zariadenie začlenené, vyhlásené, že je v zhode s ustanoveniami smernice o strojových zariadeniach 2006/42/ES tam, kde je to vhodné.

Uplatnené boli nasledujúce (časti/doložky) európskych harmonizovaných noriem:

EN 1127-1:2019, EN ISO 12100:2010, EN ISO 80079-36:2016, EN ISO 80079-37:2016

Príslušná technická dokumentácia bola zostavená a odkomunikovaná v zhode so smernicou o strojových zariadeniach 2006/42/ES časť B prílohy VII a smernicou ATEX 2014/34/EÚ článok 13 (1) b) ii v notifikovanej osobe ExVeritas ApS (EÚ identifikačné číslo 2804) v Dánsku. Orgány si môžu vyžiadať technický spis pre smernicu ATEX 2014/34/EÚ v papierovej forme od:

<https://www.exveritas.com/2022/02/02/what-you-need-for-atex-and-ukca-explosive-atmosphere-certification-for-the-uk-and-eu-markets/>

Stockholm, 1 September 2023

Håkan Andersson, Managing Director

Podpis emitenta



Informácie týkajúce sa článku 33 v nariadení REACH

Európske nariadenie (EÚ) č. 1907/2006 o registrácii, hodnotení, autorizácii a obmedzovaní chemických látok (REACH) definuje, okrem iného, požiadavky súvisiace s komunikáciou v dodávateľskom reťazci. Požiadavka na informácie sa vzťahuje aj na výrobky obsahujúce tzv. látky vzbudzujúce veľmi veľké obavy („zoznam kandidátskych látok“) 27. júna 2018 bolo do zoznamu kandidátskych látok pridané kovové olovo (č. CAS 7439-92-1).

V súlade s vyššie uvedeným vás to má informovať, že určité mechanické komponenty vo výrobku môžu obsahovať kovové olovo. Je to v zhode s aktuálnymi právnymi predpismi o obmedzovaní látok a na základe zákonných výnimiek v smernici RoHS (2011/65/EÚ). Počas normálneho používania nedôjde k úniku ani premene kovového olova z výrobku a koncentrácia kovového olova v celom výrobku je značne pod príslušnou prahovou hodnotou. Pri likvidácii olova na konci životnosti výrobku zohľadnite, prosím, miestne požiadavky.

Regionálne požiadavky

⚠ VAROVANIE

Pri používaní tohto výrobku môžete byť vystavení chemikáliám vrátane olova, o ktorom je v štáte Kalifornia známe, že spôsobuje rakovinu a vrodené chyby alebo iné reprodukčné poruchy. Pre viac informácií prejdite na

<https://www.p65warnings.ca.gov/>

Bezpečnosť

NEVYHADZUJE – ODOVZDAJTE POUŽÍVATEĽOVI

⚠ VAROVANIE Prečítajte si všetky bezpečnostné varovania, pokyny, obrázky a špecifikácie poskytnuté s týmto výrobkom.

Nedodržanie všetkých dole uvedených pokynov môže mať za následok zásah elektrickým prúdom, požiar, vecné škody a/alebo vážne zranenie.

Všetky varovania a pokyny si odložte pre budúce nahliadnutie.

⚠ VAROVANIE Všetky lokálne legislatívne bezpečnostné predpisy, ktoré sa týkajú inštalácie, prevádzky a údržby sa musia vždy dodržiavať.

Účel použitia

- Iba pre profesionálne použitie.
- Tento výrobok a jeho príslušenstvo sa nesmie v žiadnom prípade prerábať.
- Tento výrobok nepoužívajte, ak bol poškodený.
- Ak údaje o výrobku alebo výstražné štítky upozorňujúce na nebezpečenstvo umiestnené na výrobku prestanú byť čitateľné alebo sa uvoľnia, bezodkladne ich nahraďte.
- Výrobok smie inštalovať, obsluhovať a servisovať iba kvalifikovaná osoba v priemyselnom prostredí.

Určené použitie

Tento motor je navrhnutý na zabudovanie do upevneného alebo pohyblivého stroja. Je určený buď pre otáčanie v pravo-otočivom smere, otáčanie v ľavotočivom smere, alebo obojsmerné otáčanie a podľa potreby ho treba namontovať iba pomocou príruby alebo hlavy vretena. Iné použitie nepovolené.

Riziko, že by motory boli zdrojom vzplanutia potenciálne výbušnej atmosféry, je veľmi nízke. Za vyhodnotenie rizík spojených s celým strojom, do ktorého má byť motor zabudovaný, je zodpovedný používateľ.

Pokyny špecifické pre výrobok

Výstraha

⚠ VAROVANIE Polymérové riziko

Lopatky tohto výrobku obsahujú PTFE (a syntetický fluoropolymér). Čiastočky PTFE sa môžu kvôli opotrebovaniu nachádzať vo vnútri výrobku. Pri nahriatí môže PTFE vyprodukovať výpary, ktoré môžu spôsobiť horúčku z polymérových výparov so symptómami podobnými chrípke, najmä pri fajčení kontaminovaného tabaku.

Pri manipulácii s lopatkami a ďalšími súčastami je nutné vzhľadom na obsah látky PTFE dodržiavať odporúčania týkajúce sa zdravia a bezpečnosti pri práci:

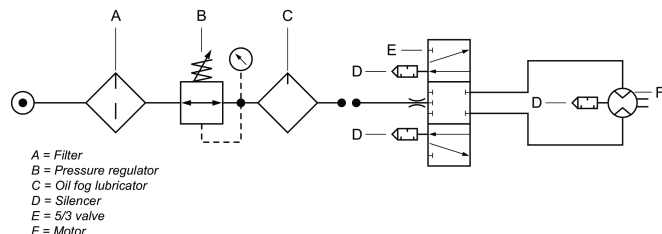
- ▶ Pri vykonávaní servisných prác nefajčite
- ▶ Čiastočky PTFE nesmú prísť do kontaktu s otvoreným ohňom, žiarou ani teplom
- ▶ Komponenty motora sa musia umyť s čistiacou tekutinou a nesmú sa vyfúknuť vzduchovým potrubím
- ▶ Pre vykonaním akejkoľvek inej činnosti si umyte ruky

Hodnotenie IP

Hodnotenie IP pneumatických motorov sa stanovuje pri podmienkach pod tlakom a vylučuje vývod alebo pripojený tlmič výfuku. Ak sa bude motor prevádzkovať ponorený alebo v prudkých vodných prúdoch, vývod sa odporúča vyviesť preč z vody hadicou. Keď je ponorený, vždy udržiavajte motor pod tlakom s vyšším tlakom, než je zodpovedajúca hĺbka.

Inšalačný diagram

Reverzný motor



Pripojenie k zásobovaniu vzduchom

Keď pripojíte k prívodu zásobovanie stlačeným vzduchom, smer otáčania bude podľa zobrazenia na obrázku. Ak má byť vyfukovaný vzduch odvedený potrubím, treba k výstupu odvodu vzduchu pripojiť hadicu.

Zásobovanie stlačeným vzduchom treba pripojiť k príslušnému prívodu s požadovaným smerom otáčania, viď obrázok nižšie. Prívod, ktorý sa nepoužíva, slúži ako dodatočný výstup a nesmie byť upchatý.

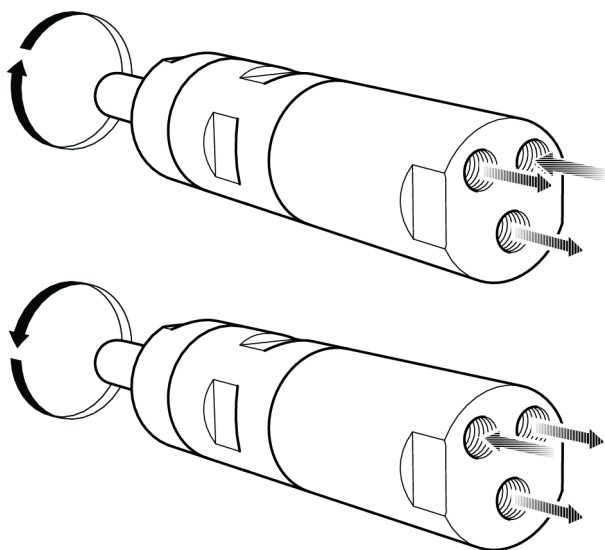
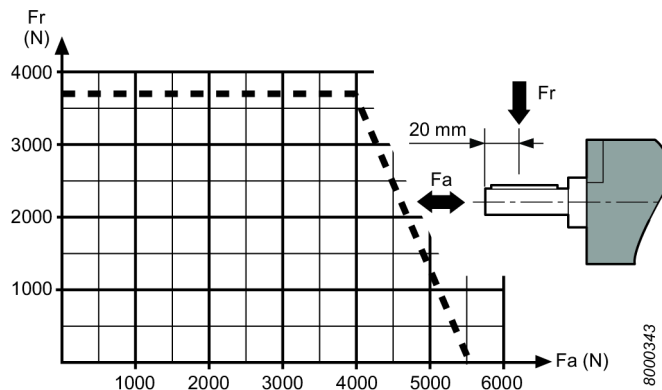


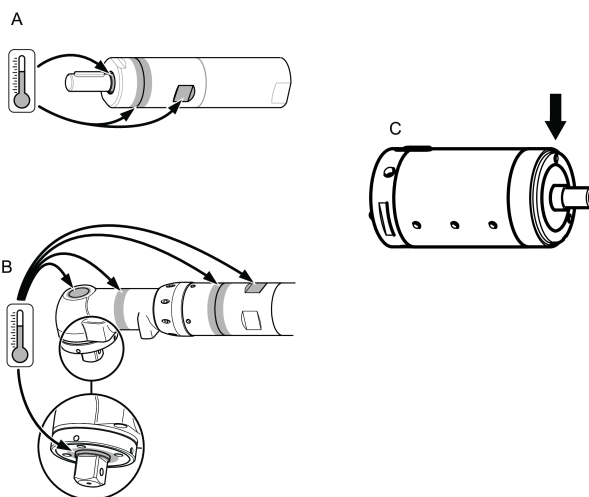
Diagram zaťaženia hriadeľa



Horúce miesta

Nasledovné horúce miesta na motore môžu počas prevádzky dosiahnuť vysoké teploty: Na obrázku sú zobrazené horúce miesta pre konkrétne modely:

- Tesniaci krúžok na výstupnom hriadeľi (A, B, C)
- Spoj medzi prednou časťou a zadným krúžkom (A, B)
- Rukoväť kľúča (A, B)



K najvyšším teplotám dochádza, keď je motor spustený pri plnom tlaku bez záťaže. S narastajúcim krútiacim momentom znižuje vzduchový motor rotačnú rýchlosť a teplotu.

Výstraha

Pred použitím tohto motora sa oboznámte s prevádzkovými pokynmi.

Tento motor, jeho doplnky a príslušenstvo musia byť použité len na taký účel, na ktorý boli určené.

Kvôli bezpečnosti a zodpovednosti za výrobok musí akúkoľvek úpravu motora alebo jeho príslušenstva, ktorá môže mať vplyv na zodpovednosť za výrobok, schváliť technický odborník výrobcu.

Aby ste zabránili poraneniu osôb a dlhodobým rizikám:

- Ak má motor certifikát ATEX, musí sa nainštalovať filter alebo tlmič na vonkajších portoch motora.

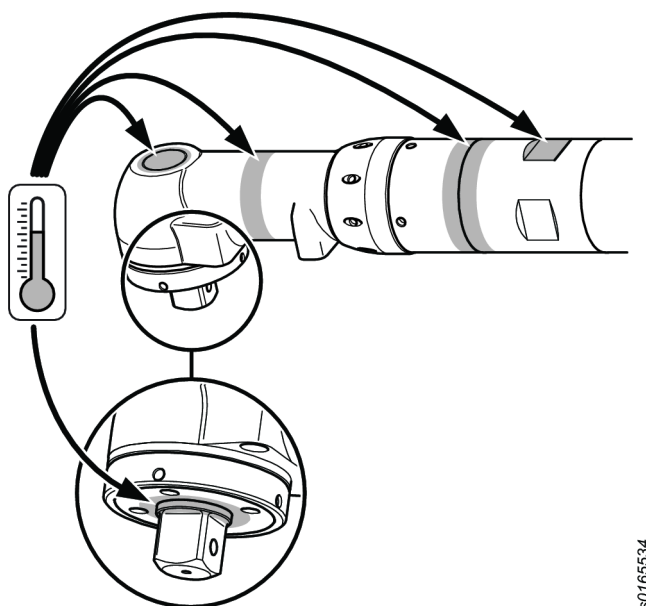
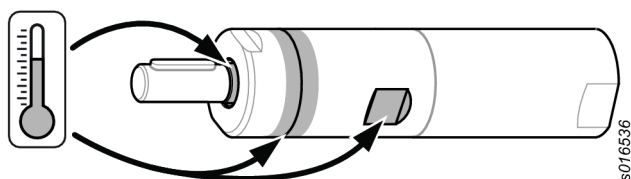
Na zníženie hluku sa odporúča použiť tlmiče aj pre iné aplikácie.

- Pred akoukoľvek úpravou odpojte motor od vzduchového potrubia.
- **Dávajte pozor na ruky, vlasy a odev – vždy dodržiavajte dostatočnú vzdialenosť od rotujúcich častí.**

Údržba

- Údržbu a opravy tohto výrobku ATEX smie vykonať iba autorizovaný personál. Následne musí byť vykonaný a zaznamenaný do protokolu bezzáťažový test a merania teploty na horúcich miestach (pozri obrázok).

Po 5-minútovom bezzáťažovom teste nesmie povrchová teplota prekročiť výslednú hodnotu 45°C + okolitá teplota, pričom okolitá teplota sa môže líšiť v rozpätí $0 - 40^{\circ}\text{C}$.



Všeobecné bezpečnostné pokyny

Prívod vzduchu a nebezpečenstvá napojenia

- Vzduch pod tlakom môže spôsobiť vážne zranenie.
- Keď nástroj nepoužívate, pred výmenou príslušenstva alebo pri oprave vždy vypnite prívod vzduchu, z hadice vytlačte vzduch pod tlakom a nástroj odpojte od prívodu vzduchu.
- Vzduch pod tlakom môže spôsobiť vážne zranenie.
- Šľahajúce hadice môžu spôsobiť vážne zranenie. Vždy skontrolujte, či nie sú hadice a fittingy poškodené alebo uvoľnené.
- Neprekračujte maximálny tlak vzduchu $6,3 \text{ bar} / 90 \text{ psi}$, ako je uvedené na štítku nástroja.

Nebezpečenstvá zamotania

- Uchovávajte mimo otočného pohonu. V prípade, že sa nezachová dostatočná vzdialenosť medzi voľným oblečením, rukavicami, šperkmi, náhrdelníkmi, vlasmi a nástrojom a jeho príslušenstvom, môže dôjsť k duseniu, skalpovaniu alebo tržným ranám.

Nebezpečenstvo projektív

- Pri prevádzke, oprave alebo údržbe nástroja alebo v ich blízkosti alebo pri výmene príslušenstva nástroja vždy používajte ochranu očí a tváre odolnú voči nárazom.
- Uistite sa, či všetci v pracovnom priestore majú nasadené nárazuvzdorné chrániče očí a tváre. I malé odskakujúce častice môžu zraniť oči a spôsobiť stratu zraku.
- Skontrolujte, či je obrobok bezpečne upnutý.

Nebezpečenstvá pri prevádzke

- Bezpečne upnite nástroj.
- Pred odobratím obrobku skontrolujte, či nástroj úplne zastal.
- Stroj, do ktorého sa zabuduje momentový motor, musí vždy disponovať ovládacími prvkami na zapnutie, vypnutie a núdzové vypnutie.

Nebezpečenstvo hluku

- Vysoké úrovne hluku môžu spôsobiť trvalú stratu sluchu alebo iné problémy, ako napr. hučanie v ušiach. Používajte ochranu sluchu odporúčanú zamestnávateľom alebo predpismi týkajúcimi sa zdravia a bezpečnosti na pracovisku.
- Aby ste predišli nepotrebnému zvýšeniu úrovni hluku, nástroj prevádzkujte a servisujte, a vyberte, servisujte a nahraďte príslušenstvo a spotrebné diely v súlade s týmto návodom na obsluhu.

Nebezpečenstvá na pracovisku

- Pošmyknutie/zakopnutie/pád sú významnou príčinou vážneho zranenia alebo smrti. Dávajte pozor na nadbytočné hadice ponechané na povrchu, kde sa chodí alebo pracuje.
- Predíd'te vdýchnutiu prachu, výparov alebo sutiny, ktoré vznikli pri práci a ktoré môžu spôsobiť zdravotné problémy (napr. rakovinu, pôrodné defekty, astmu a/alebo zápal kože). Pri práci s materiálmi, pri ktorých vznikajú vzduchové častice, používajte odsávanie prachu a vybavenie na ochranu dýchania.
- Niektoré prachy vytvorené pri pieskovaní, pílení, brúsení, vrtaní a iných stavebných aktivitách obsahujú chemikálie, o ktorých je v štáte Kalifornia známe, že spôsobujú rakovinu a vrodené chyby alebo iné reprodukčné poškodenia. Medzi niektoré príklady takýchto chemikálií patria:
 - olovo z olovnatých farieb,
 - tehly a cement s kryštalického kremeňa a iné murárske produkty,
 - arzenik a chróm z chemicky oštrenej gummy.

Vaše riziko pri týchto expozíciách sa líši podľa toho, ako často vykonávate tento druh práce. Na zníženie expozície týchto chemikálií: pracujte v dobre vetranej oblasti a

pracujte so schváleným bezpečnostným vybavením ako napríklad maskou proti prachu, ktoré je špeciálne navrhnutá na odfiltrovanie mikroskopických častíc.

- V neznámom prostredí postupujte opatrne. Majte na mysli možné nebezpečenstvá vyplývajúce z vašej pracovnej činnosti. Tento nástroj nie je izolovaný proti kontaktu so zdrojmi elektriny.

Značky a nálepky

Tento výrobok je vybavený značeniami a nálepkami, ktoré obsahujú dôležité informácie o osobnej bezpečnosti a údržbe výrobku. Značenia a nálepky musia byť vždy ľahko čitateľné. Nové značenia a nálepky môžete objednať pomocou zoznamu náhradných dielov.



s011050

Informácie o certifikácii ATEX

Definícia kódu ATEX

Kód ATEX je:



Ex II 2 G Ex h IIC T6 Gb

Ex II 2 D Ex h IIIC T85°C Db

$^{\circ}\text{C} \leq T_a \leq 40^{\circ}\text{C}$

Popis	Hodnota	Definícia
Skupina zariadenia	II	Povrchový priemysel
Kategória zariadenia	2	Vysoká úroveň ochrany
Skupina II		<ul style="list-style-type: none"> • zóna 1 (plyn) • zóna 2 (plyn) • zóna 21 (prach) • zóna 22 (prach)
Atmosféra	G	Atmosféra s obsahom plynu, výparov alebo hmly
	D	Atmosféra s obsahom prachu
Bezpečnostný dizajn	h	Mechanický výrobok
Skupina plynu	IIC	Hydrogén/Acetylén
	IIB	Etylén
Skupina prachu	IIIC	Povrchový horľavý prach

Popis	Hodnota	Definícia
Max povrchová teplota v plynovej atmosfére		T1 = 450 °C T2 = 300 °C T3 = 200 °C T4 = 135 °C T5 = 100 °C T6 = 85 °C
Max povrchová teplota v prašnej atmosfére		Príklady teplôt: T85 °C T110 °C T120 °C T125 °C T240 °C
Špeciálne obmedzenie, napríklad rozsah teploty okolia.	X	

Teploty

- Maximálna okolitá teplota, pre ktorú platí certifikácia, je 40 °C.
- 40 °C je takisto maximálna povolená teplota stlačeného vzduchu pri vstupe do výrobku.
- Ak je výrobok nainštalovaný v zariadení, celé zariadenie musí vyhovovať smerniciam 2014/34/EÚ.
- Uistite sa, že stlačený vzduch spĺňa naše požiadavky na kvalitu (triedy kvality 2.4.3. a 3.4.4, resp. 3.5.4 podľa ISO/DIS 8573-1:2010).
- Neprekračujte maximálny tlak vzduchu 6,3 bar alebo ako je uvedené na štítku výrobku. Prekročenie prevádzkového tlaku môže zvýšiť povrchovú teplotu z dôvodu vyššej rýchlosti otáčania a výrobok sa môže stať zdrojom vznietenia.

Ex klasifikácia

Ak je výrobok súčasťou montážneho celku, kde majú komponenty rôznu Ex klasifikáciu, definuje Ex klasifikáciu celej montážnej zostavy komponent s najnižšou úrovňou bezpečnosti.

Pokyny na prevenciu pred výbuchom

Čistota

- Uistite sa, že je výrobok očistený od prachu a špiny, aby ste predišli zvýšenej ložiskovej a povrchovej teplote.
- Ak používate tlmíč: Uistite sa, že je k výstupu vzduchu nainštalovaný tlmíč s filtračným účinkom, aby ste predišli vniknutiu častíc nahriatych trením do okolitej atmosféry.

Použitie

- Zabezpečte, aby bol výrobok uzemnený systémom vyrovnávania potenciálu dielne, napr. pomocou príslušenstva, ako napr. hadíc a tlakových spojení.

- Používateľ je zodpovedný za kontrolu, či celé príslušenstvo výrobku, ako napr. kľúče a vzduchové spojenia, spĺňa národné bezpečnostné predpisy pre nástroje používané v oblastiach s rizikom výbuchu.

Užitočné informácie

Webová stránka

Informácie ohľadne našich výrobkov, príslušenstva, náhradných dielov a zverejnených materiálov nájdete na webovej stránke Atlas Copco.

Navštívte, prosím: www.atlascopco.com.

Funkcia ServAid

ServAid je portál, ktorý sa nepretržite aktualizuje a obsahuje technické informácie, ako napríklad:

- Regulačné a bezpečnostné informácie
- Technické údaje
- Inštalačné, prevádzkové a servisné pokyny
- Zoznamy náhradných dielov
- Príslušenstvo
- Kótované výkresy

Navštívte, prosím: <https://servaid.atlascopco.com>.

Pre bližšie technické informácie sa obráťte na vášho miestneho zástupcu Atlas Copco.

Technické údaje

Technické údaje

Objednací číslo	8411046413
Model	LZB46-L-AR0004-11
Spotřeba vzduchu při maximálním výkonu	14 l/s
Spotřeba vzduchu při maximálním výkonu	29.7 cfm
Brzdící moment	Nm
Brzdící moment	ft lb
Integrovaná brzda	No
Materiál externích dílů	Hardened steel/Aluminium
Volnoběžné otáčky	35 ot./min.
Max. výkon	0.59 kW
Max. výkon	0.79 hp
Min. počáteční moment	388 Nm
Min. počáteční moment	286 ft lb
Poměr	
Převodový poměr	
Směr otáčení	Reversible
Kód zatížení hřídele	h
Typ hřídele	Keyed
Otáčky při max. výkonu	20 ot./min.
Mezní moment	574 Nm

Mezní moment	423 ft lb
Moment při max. výkonu	287 Nm
Moment při max. výkonu	212 ft lb
Typ lopatek	Lubrication free
Hmotnost	4.9 kg
Hmotnost	10.8 lb
Prívodní hadice	10 mm
Prívodní hadice	0.4 in
Stupeň krytí	IP66
Výstupní hadice	16 mm
Výstupní hadice	0.6 in

Stupeň ochrany IP

Stupeň ochrany IP vzduchových motorů se v souladu s normou IEC 60529 vztahuje na mechanický kryt. Stupeň ochrany IP nezahrnuje odolnost proti korozi či jakýmkoli kapalinám s výjimkou vody ze sladkovodního zdroje.

Prohlášení

EU PROHLÁŠENÍ O ZABUDOVÁNÍ

My, společnost Atlas Copco Industrial Technique AB, SE-105 23 STOCKHOLM SWEDEN, na vlastní odpovědnost prohlašujeme, že tento produkt (s názvem, typem a sériovým číslem, viz přední stranu) splňuje následující zásadní požadavky Směrnice o strojních zařízeních 2006/42/ES:

2006/42/EC (Annex I, clauses 1.1, 1.2 (excluding 1.2.4.3), 1.3, 1.4, 1.5, 1.6, 1.7)

A že toto částečně sestavené strojní zařízení je v souladu s ustanoveními následující další směrnice EU:

2014/34/EU (ATEX)

Toto částečně sestavené strojní zařízení nesmí být uvedeno do provozu, dokud pro konečné strojní zařízení, do něhož bude začleněno, nebude vydáno prohlášení o shodě v souladu s požadavky Směrnice 2006/42/ES o strojních zařízeních, je-li to nutné.

Byly použity následující harmonizované evropské normy (případně jejich části/ustanovení):

EN 1127-1:2019, EN ISO 12100:2010, EN ISO 80079-36:2016, EN ISO 80079-37:2016

Relevantní technická dokumentace byla sestavena a byla zveřejněna v souladu se Směrnicemi o strojních zařízeních 2006/42/ES, Část B, Příloha VII, a článkem 13 (1) b) ii směrnice ATEX 2014/34/EU prostřednictvím notifikované osoby ExVeritas ApS (identifikační číslo 2804) v Dánsku. Úřady si mohou vyžádat technický spis pro směrnici ATEX 2014/34/EU v tištěné formě od:

<https://www.exveritas.com/2022/02/02/what-you-need-for-atex-and-ukca-explosive-atmosphere-certification-for-the-uk-and-eu-markets/>

Stockholm, 1 September 2023

Håkan Andersson, Managing Director

Podpis vystavitele



Informace ohledně článku 33 nařízení REACH

Nařízení Evropského parlamentu a Rady (ES) č. 1907/2006 o registraci, hodnocení, povolování a omezování chemických látek (REACH) kromě dalších záležitostí definuje požadavky vztahující se ke komunikaci v rámci dodavatelského řetězce. Požadavek na informace platí i pro produkty obsahující tzv. látky vzbuzující mimořádné obavy („Seznam kandidátů“). Dne 27. Června 2018 bylo na seznam kandidátů zařazeno olovo (č. CAS 7439-92-1).

V souladu s výše uvedeným vás tímto informujeme, že určité mechanické součásti produktu mohou obsahovat olovo. To je v souladu s aktuální legislativou o omezení látek a na základě platných výjimek ve Směrnici o omezení používání některých nebezpečných látek v elektrických a elektronických zařízeních (2011/65/EU) známé i pod zkratkou RoHS. Olovo nebude během běžného používání z produktu unikat ani v něm mutovat a celková koncentrace olova v produktu je výrazně pod platnou prahovou mezí. Zkontrolujte místní požadavky ohledně likvidace olova na konci životnosti produktu.

Oblastní požadavky

⚠ VÝSTRAHA

U tohoto výrobku můžete být vystaveni působení chemických látek včetně olova, což je ve státě Kalifornia faktor způsobující rakovinu, poškození plodu nebo jiné reprodukční poškození. Více informací je k dispozici na stránce

<https://www.p65warnings.ca.gov/>

Bezpečnost

NEVYHAZUJTE – PŘEDEJTE UŽIVATELI

⚠ VÝSTRAHA Přečtěte si všechny bezpečnostní výstrahy, pokyny, ilustrace a specifikace dodané s tímto produktem.

Nedodržení veškerých níže uvedených pokynů může mít za následek úraz elektrickým proudem, požár, poškození majetku nebo vážný úraz.

Uchovávejte veškeré texty varování a pokynů i pro budoucí potřebu.

⚠ VÝSTRAHA Vždy dodržujte všechna zákonná bezpečnostní pravidla týkající se instalace, provozu a údržby produktu.

Prohlášení o použití

- Pouze pro profesionální použití.

- Tento nástroj a jeho příslušenství je zakázáno jakýmkoliv způsobem upravovat.
- Nepoužívejte tento produkt, pokud je poškozen.
- Pokud na produktu nejsou čitelné štítky s údaji o produktu či výstražné štítky, nebo pokud dojde k jejich oddělení od produktu, bez prodlení je nahraďte novými.
- Tento produkt smí instalovat, používat či provádět jeho servis pouze kvalifikované osoby v průmyslovém montážním prostředí.

Určené použití

Tento motor je zkonstruován pro zabudování do pevně stojícího nebo pohyblivého stroje. Je dodáván buď pro směr otáčení pouze doprava, pro směr otáčení pouze doleva nebo pro otáčení oběma směry, a musí být namontován pouze pomocí příruby nebo závitového výstupku, podle potřeby. Jiné použití není povoleno.

Riziko, že by se motory mohly stát zdrojem vznícení v potenciálně výbušné atmosféře, je extrémně malé. Uživatel je odpovědný za vyhodnocení rizik spojených s provozem celého stroje, do kterého je motor zabudován.

Pokyny specifické pro produkt

Výstraha

⚠ VÝSTRAHA Škodlivé účinky polymeru

Lamelky v tomto výrobku obsahují PTFE (syntetický fluoropolymer). V důsledku opotřebení se uvnitř výrobku mohou nacházet částice PTFE. Při zahřívání PTFE mohou vznikat výpary, které způsobují horečku z polymerových výparů s příznaky podobnými chřipce, zejména při kouření kontaminovaného tabáku.

Při manipulaci s lamelkami a jinými součástmi je třeba dodržovat zdravotní a bezpečnostní pokyny týkající se PTFE:

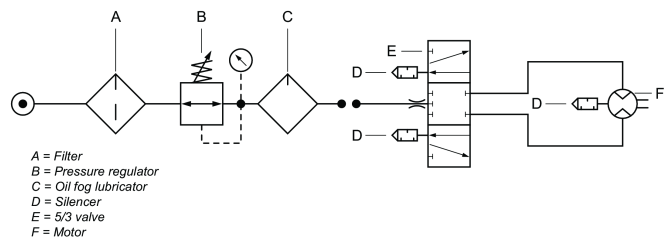
- ▶ Během provádění oprav/údržby tohoto výrobku nekuřte.
- ▶ Částice PTFE nesmějí přijít do styku s otevřeným ohněm, žářem nebo teplem.
- ▶ Části motoru je nutné omývat čistící kapalinou, nikoliv pouze ofukovat vzduchem.
- ▶ Než se začnete věnovat jakékoliv jiné činnosti, umyjte si ruce.

Stupeň ochrany IP

Stupeň ochrany IP vzduchových motorů se nastavuje pod tlakem a netýká se výstupu ani připojeného tlumiče. Pokud bude motor v chodu pod hladinou kapaliny nebo v silných prouděch vody, doporučuje se vést výstup z vody hadicí. Když je motor pod hladinou, vždy musí být pod tlakem, a to vyšším, než odpovídá hloubce.

Montážní schéma

Reverzní motor



Připojení přívodu vzduchu

Při připojení přívodu stlačeného vzduchu ke vstupu bude směr otáčení takový, jaký je zobrazen na obrázku níže. Pokud má být výfukový vzduch odváděn potrubím, musí být hadice připojena k výfukovému výstupu.

Přívod stlačeného vzduchu musí být připojen k příslušnému vstupnímu portu pro požadovaný směr otáčení, viz obrázek níže. Nepoužitý druhý vstupní port funguje jako přidavný výstupní port a nesmí být uzavřen.

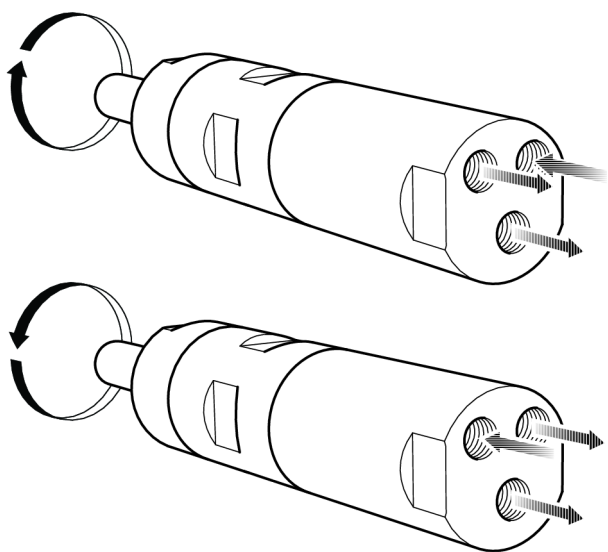
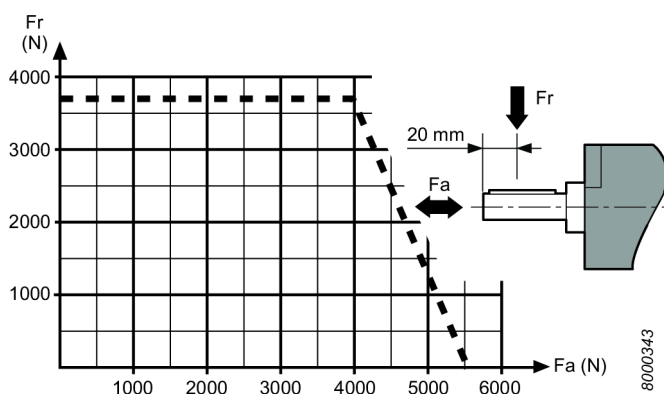


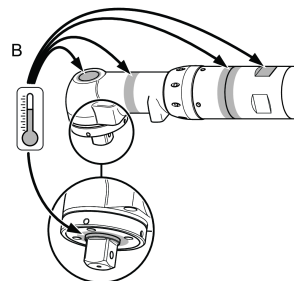
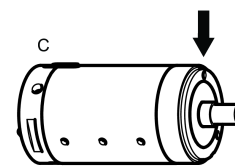
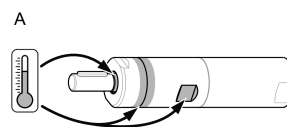
Diagram zatížení hřídele



Horká místa

Následující horká místa na motoru mohou během provozu dosáhnout vysokých teplot. Na obrázku jsou znázorněna horká místa pro uvedené modely:

- Těsnící kroužek na výstupní hřídeli (A, B, C)
- Spoj mezi předním dílem a převodovým kroužkem (A, B)
- Ploška pro klíč (A, B)



K nejvyšším teplotám dochází, pokud motor běží pod plným tlakem bez zátěže. Se zvyšujícím se momentem se snižují otáčky vzduchového motoru i jeho teplota.

Výstraha

Před používáním tohoto motoru se seznámte s provozními pokyny.

Tento motor i jeho nástavce a příslušenství je nutné používat pouze k účelu, ke kterému jsou určeny.

Pro zajištění odpovědnosti za vady výrobku a z bezpečnostních důvodů je nezbytné s technickým orgánem výrobce předem dohodnout jakékoli úpravy motoru a jeho příslušenství, které by mohly mít vliv na odpovědnost za vady výrobků.

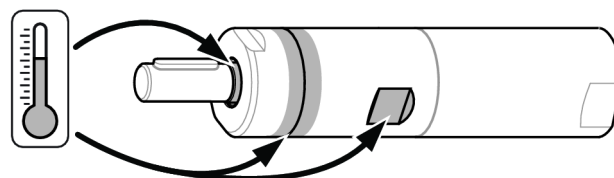
Jak se chránit před zraněním a zabránit dlouhodobému riziku:

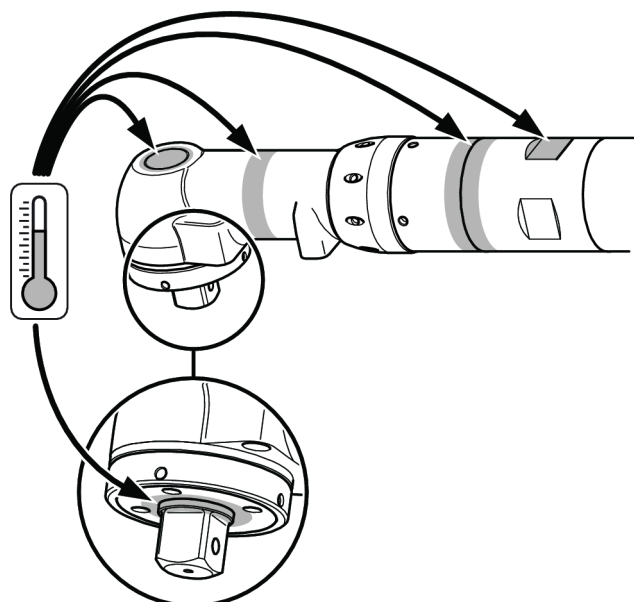
- Pokud má motor certifikaci ATEX, musí být na portu vývodu vzduchu namontován filtr nebo tlumiče. Za účelem snížení hladiny hluku se tlumiče doporučují i pro jiné aplikace.
- Před prováděním jakékoli operace nastavování odpojte motor od vzduchového vedení.
- **Dejte pozor na ruce, vlasy a oděv – vždy dodržujte bezpečnou vzdálenost od otáčejících se částí.**

Údržba

- Údržbu a opravy tohoto produktu ATEX musí provádět výhradně oprávněné osoby. Po dokončení údržby nebo opravy musí být provedena zkouška bez zátěže a měření teploty na „horkých místech“ (viz obrázek), a výsledky musí být zaznamenány do protokolu.

Po zkoušce bez zátěže v délce 5 minut nesmí povrchová teplota přesáhnout celkovou hodnotu 45°C + okolní teplota, kde hodnota okolní teploty může kolísat v rozsahu od 0 – 40°C.





Obecné bezpečnostní pokyny

Přívod vzduchu a nebezpečí při připojení

- Vzduch pod tlakem může způsobit vážný úraz.
- Vždy vypněte přívod vzduchu, z hadic vypustíte tlak vzduchu a odpojte nástroj od přívodu vzduchu, pokud se nástroj nepoužívá, před výměnou jeho příslušenství nebo při provádění jeho oprav.
- Proud vzduchu nikdy nemířte na sebe ani na nikoho jiného.
- Házení hadic může způsobit vážný úraz. Vždy zkontrolujte, zda hadice a spojky nejsou poškozené nebo uvolněné.
- Nepřekračujte maximální tlak vzduchu 6,3 bar / 90 psig nebo tlak uvedený na štítku nástroje.

Nebezpečí namotání

- Udržujte bezpečnou vzdálenost od otáčejících se částí. Pokud nebudete udržovat volné části oděvu, rukavice, šátek nebo jiné oděvní součásti či ozdoby nošené na krku a vlasy v dostatečné vzdálenosti od nástroje a příslušenství, může dojít k jejich zachycení nástrojem, což vám může způsobit udušení, skalpování anebo tržné rány.

Rizika odlétávajících předmětů

- Vždy používejte nárazuvzdorné ochranné brýle a obličejový kryt při práci s nástrojem a jeho opravě a údržbě či při výměně příslušenství, nebo pokud jsou tyto činnosti prováděny ve vaší blízkosti.
- Zajistěte, aby i všichni ostatní v pracovním prostoru měli nárazuvzdorné brýle a obličejové kryty. I malé odlétávající předměty mohou způsobit poranění očí a následnou slepotu.
- Dbejte na to, aby obrobek byl řádně upevněn.

Provozní rizika

- Nástroj pevně upněte.
- Před odchodem od díla se ujistěte, zda je nástroj zcela zastavený.
- Stroj, do kterého je motor / momentový motor zabudovaný, vždy vybavte ovládacími prvky pro spuštění, zastavení a nouzové zastavení.

Škodlivé účinky hluku

- Vysoké úrovně hluku mohou způsobit trvalou ztrátu sluchu nebo jiné zdravotní problémy, jako je například hučení v uších. Používejte ochranu sluchu doporučenou vaším zaměstnavatelem nebo předepsanou podle předpisů týkajících se bezpečnosti a ochrany zdraví při práci.
- Za účelem předcházení zbytečnému zvyšování úrovně hluku nástroj používejte a provádějte jeho údržbu, a vybírejte, vyměňujte a provádějte údržbu jeho příslušenství a spotřebního materiálu, v souladu s pokyny uvedenými v tomto návodu k obsluze.

Rizika na pracovišti

- Uklouznutí, zakopnutí nebo pád jsou hlavními příčinami vážných nebo i smrtelných úrazů. Dávejte pozor na nadměrné množství hadic ponechaných na podlaze nebo na pracovní ploše.
- Vyhněte se vdechování prachu či výparů i manipulaci s nečistotami z pracovního procesu, které mohou způsobovat zdravotní potíže (například rakovinu, poruchy při narození, astma anebo dermatitidu). Při práci s materiály, které způsobují uvolňování částic do vzduchu, používejte zařízení na odsávání prachu a noste ochranné dýchací pomůcky.
- Prach vznikající při motorovém vyhlazování, řezání, broušení, vrtání a jiných stavebních činnostech může obsahovat chemické látky, o kterých je ve státu Kalifornie známo, že způsobují rakovinu a poruchy při narození nebo jiná poškození reprodukčního ústrojí. Některé příklady takových chemických látek jsou následující:
 - olovo z olovnatých barev;
 - cihly z krystalického křemene, cement a další stavební materiály pro zdiva;
 - arsen a chrom z chemicky upravené pryže.

Vaše riziko vyplývající z vystavení se působení těchto látek se liší podle toho, jak často provádíte takový typ práce. Abyste omezili své vystavení se působení těchto chemických látek: pracujte v dobře větraných prostorách a používejte schválené bezpečnostní ochranné pomůcky, jako jsou například masky proti prachu, které jsou speciálně zkonstruované k odfiltrování mikroskopických částic.

- V neznámém pracovním prostředí si počínejte opatrně. Dávejte pozor na potenciální rizika vznikající v důsledku vaší pracovní činnosti. Tento nástroj není izolován pro případ dotyku se zdroji elektrického proudu.

Označení a nálepky

Produkt je opatřen značkami a štítky s důležitými informacemi o osobní bezpečnosti a údržbě produktu. Tyto značky a štítky musí být neustále snadno čitelné. Nové značky a štítky je možné si objednat pomocí seznamu náhradních dílů.



Informace o osvědčení ATEX

Definice kódu ATEX

Kód ATEX je:



Ex II 2 G Ex h IIC T6 Gb
Ex II 2 D Ex h IIIC T85°C Db
 $^{\circ}\text{C} \leq T_a \leq 40^{\circ}\text{C}$

Popis	Hodnota	Definice
Skupina zařízení	II	Povrchový průmysl
Kategorie zařízení	2	Vysoká úroveň ochrany
Skupina II		<ul style="list-style-type: none"> • zóna 1 (plyn) • zóna 2 (plyn) • zóna 21 (prach) • zóna 22 (prach)
Atmosféra	G	Atmosféra obsahující plyn, výpary nebo aerosol
	D	Atmosféra obsahující prach
Bezpečnostní konstrukce	h	Mechanický produkt
Skupina plynu	IIC	Vodík/acetylén
	IIB	Etylén
Skupina prachu	IIIC	Povrchový hořlavý prach
Max. teplota povrchu v plynové atmosféře		T1 = 450 °C T2 = 300°C T3 = 200°C T4 = 135°C T5 = 100°C T6 = 85°C
Max. teplota povrchu v prachové atmosféře		Příklady teplot: T85 °C T110 °C T120 °C T125 °C T240 °C
Zvláštní omezení, např. rozsah okolních teplot.	X	

Teploty

- Maximální okolní teplota, pro kterou osvědčení platí, je 40 °C.
- 40 °C je také maximální přípustná hodnota teploty stlačeného vzduchu přiváděného do produktu.

- Pokud je produkt namontován v zařízení, musí celé zařízení odpovídat pokynům směrnice 2014/34/EU.
- Zajistěte, aby stlačený vzduch splňoval naše kvalitativní požadavky (třídy kvality 2.4.3. a 3.4.4, případně 3.5.4 podle normy ISO/DIS 8573-1:2010).
- Nepřekračujte maximální tlak vzduchu 6,3 bar nebo tlak uvedený na štítku produktu. Překročení provozního tlaku může zvýšit povrchovou teplotu z důvodu vyšších otáček a produkt se může stát zdrojem vznícení.

Klasifikace Ex

Pokud je tento produkt součástí sestavy, v níž mají různé součásti různou klasifikaci Ex, bude klasifikace Ex celé kompletní sestavy definována součástí s nejnižší úrovní bezpečnosti.

Pokyny pro zabránění výbuchu

Čistota

- Zajistěte, aby byl produkt udržován v čistém stavu bez prachu a nečistot, aby se zabránilo zvýšení teploty ložiska a povrchu motoru.
- Při použití tlumiče: Zajistěte, aby byl na vývodu vzduchu namontován tlumič s filtračním účinkem, který zabrání výstupu jakýchkoliv částic zahřátých třením do okolní atmosféry.

Použití

- Zajistěte, aby byl produkt uzemněn k systému ochranného pospojování dílny, například pomocí vhodného příslušenství, jako jsou hadice a vzduchové tlakové spojky.
- Uživatel nese odpovědnost za zajištění veškerého možného příslušenství k produktu, jako jsou klíče a vzduchové spojky, které bude odpovídat celostátním bezpečnostním předpisům týkajícím se zařízení pro použití v místech s nebezpečím výbuchu.

Užitečné informace

Webová stránka

Informace týkající se našich produktů, příslušenství, náhradních dílů a publikovaných dokumentů naleznete na webových stránkách společnosti Atlas Copco.

Navštivte: www.atlascopco.com.

ServAid

ServAid je portál, který se průběžně aktualizuje a obsahuje technické informace, např.:

- Regulační a bezpečnostní informace
- Technické údaje
- Pokyny týkající se instalace, provozu a údržby
- Seznamy náhradních dílů
- Příslušenství
- Rozměrové výkresy

Navštivte: <https://servaid.atlascopco.com>.

Ohledně dalších informací kontaktujte prosím místního zástupce společnosti Atlas Copco.

Műszaki adatok

Műszaki adatok

Rendelészám	8411046413
Modell	LZB46-L-AR0004-11
Levegőfogyasztás maximális teljesítmény esetén	14 l/s
Levegőfogyasztás maximális teljesítmény esetén	29.7 cfm
Fékerő	Nm
Fékerő	ft lb
Beépített fék	No
Külső részek anyaga	Hardened steel/Aluminium
Terhelés nélküli fordulatszám	35 ford./perc
Maximális teljesítmény	0.59 kW
Maximális teljesítmény	0.79 LE
Minimális indítónyomaték	388 Nm
Minimális indítónyomaték	286 ft lb
Áttétel	
Áttétel	
Forgási irány	Reversible
Tengelyterhelési kód	h
Tengely típusa	Keyed
Sebesség maximális teljesítményen	20 ford./perc
Alapjárat nyomaték	574 Nm
Alapjárat nyomaték	423 ft lb
Nyomaték maximális teljesítményen	287 Nm
Nyomaték maximális teljesítményen	212 ft lb
Vane típus	Lubrication free
Tömeg	4.9 kg
Tömeg	10.8 font
Beömlő tömlő	10 mm
Beömlő tömlő	0.4 hüvelyk
Behatolás elleni védelem szintje	IP66
Kiömlő tömlő	16 mm
Kiömlő tömlő	0.6 hüvelyk

IP-besorolás

A légmotorok IP-besorolása a mechanikai tokozásra vonatkozik, az IEC 60529-es szabványnak megfelelően. Az IP-besorolás nem vonatkozik a korrózióvédelemre, illetve a tiszta édesvízen kívül semmilyen más folyadékra.

Nyilatkozatok

EU BEÉPÍTÉSI NYILATKOZAT

Mi, a(z) **Atlas Copco Industrial Technique AB**, SE-105 23 STOCKHOLM SWEDEN, kizárólagos felelősségünk tudatában kijelentjük, hogy a következő termékek (név, típus és sorozatszám, lásd az előlapot) kialakítása megfelel a gépekről szóló 2006/42/EK irányelv követező alapvető követelményeinek:

2006/42/EC (Annex I, clauses 1.1, 1.2 (excluding 1.2.4.3), 1.3, 1.4, 1.5, 1.6, 1.7)

Továbbá hogy ez a részben kész gép megfelel a következő egyéb EU-s irányelv(ek) rendelkezéseinek: 2014/34/EU (ATEX)

Ez a részben kész gép csak akkor használható, ha a kész gép, amelybe azt beépítik, a gépekről szóló 2006/42/EK irányelv előírásainak való megfelelést igazoló nyilatkozattal van ellátva, ahol ez szükséges.

A következő európai harmonizált szabványok (adott részei/pontjai) kerültek alkalmazásra:

EN 1127-1:2019, EN ISO 12100:2010, EN ISO 80079-36:2016, EN ISO 80079-37:2016

A vonatkozó műszaki dokumentációt a 2006/42/EK gépirányelv VII. melléklet B részének és a 2014/34/EK ATEX irányelv 13. cikk (1) bekezdés b) pont ii. alpontjának megfelelően az ExVeritas ApS (EU-azonosítószám: 2804) tanúsítási szervezetnél, Dániában állították össze és jelentették be. A hatóságok az alábbi helyről kérhetik nyomtatott formában az ATEX 2014/34/EU irányelvének műszaki dokumentációját:

<https://www.exveritas.com/2022/02/02/what-you-need-for-atex-and-ukca-explosive-atmosphere-certification-for-the-uk-and-eu-markets/>

Stockholm, 1 September 2023

Håkan Andersson, Managing Director

A kiadó aláírása



Információ a REACH-rendelet 33. cikkén kapcsolatban

A vegyi anyagok regisztrálásáról, értékeléséről, engedélyezéséről és korlátozásáról szóló 1907/2006/EK rendelet (REACH) többek között az ellátási láncban történő információközlésre vonatkozó követelményeket ír elő. Az információközlési követelmény többek között a különösen veszélyes anyagokat tartalmazó termékekre irányul (a „Jelöltlista”). 2018. június 27-én az ólom (CAS-szám: 7439-92-1) is felkerült a jelöltlistára.

A fentiekkel összhangban ezúton tájékoztatjuk Önt, hogy a termékben bizonyos mechanikus részekre ólomot tartalmazhatnak. Ez megfelel az anyagok korlátozására vonatkozó jelenlegi jogszabályoknak, és az RoHS irányelv (2011/65/EU) jogszabályi kivételein alapul. Az ólom normál használat

folyamán nem szivárog és nem képződik a termékből, és az ólom koncentrációja a teljes termékben jóval a vonatkozó határérték alatt van. Kérjük, hogy a termék élettartamának végén vegye figyelembe az ólom ártalmatlanítására vonatkozó helyi előírásokat.

Regionális követelmények

⚠ FIGYELEM

A termék különböző vegyi anyagoknak, például ólomnak való kitettséget okozhat, az ólomot pedig Kalifornia állam hatásai a rákkeltő, születési rendellenességeket vagy más szaporodási ártalmakat okozó anyagok közé soroltak. További tudnivalóért lásd

<https://www.p65warnings.ca.gov/>

Biztonság

NE DOBJA EL – ADJA ÁT A FELHASZNÁLÓNAK!

⚠ FIGYELEM Olvassa el a termékre vonatkozó összes biztonsági előírást, útmutatót, illusztrációt és műszaki adatokat.

Az alábbiakban felsorolt utasítások be nem tartása áramütést, tüzet anyagi kárt és/vagy súlyos sérülést okozhat.

Olvassa el és a jövőben is tartsa be az összes figyelmeztetést és utasítást.

⚠ FIGYELEM Minden körülmények között tartsa be a felszerelésekre, üzemeltetésre és karbantartásra vonatkozó, a törvény szerint érvényben lévő helyi biztonsági szabályokat.

Használatra vonatkozó nyilatkozat

- Kizárólag professzionális felhasználásra.
- A terméket és tartozékait semmilyen módon nem szabad módosítani.
- Ne használja a terméket, ha sérült.
- Ha a termék adatai vagy az előírt sebességre vonatkozó vagy veszélyre figyelmeztető címkék a terméken nem olvashatók vagy leváltak, a lehető leghamarabb tegyen fel újakat.
- A termék üzembe helyezését, üzemeltetését és szervizelését kizárólag szakképzett személy végezheti ipari környezetben.

Rendeltetésszerű használat

A motort arra terveztük, hogy azt rögzített vagy mozgó gépbe építsék be. Az csak vagy balra vagy csak jobbra vagy visszafelé forgáshoz való; azt a karimára vagy a menetes orrszere kell rögzíteni – szükség szerint. Más jellegű használata nem megengedett.

A motorok a potenciális robbanásveszélyes légkörben csak kis valószínűséggel viselkednek gyújtóforrásként. A felhasználó saját maga felelős az egész géppel kapcsolatos kockázatok kiértékelésére – annál a gépnél, amelybe a motort beépítették.

Termékspecifikus utasítások

Figyelmeztetés

⚠ FIGYELEM Polimerekre vonatkozó veszélyek

A szerszám forgólapátjai PTFE-t tartalmazhatnak (szintetikus fluor-polimer). A kopás következtében a szerszám belsejében PTFE részecskék jelenhetnek meg. Melegítés hatására a PTFE gőzök polimer gőz lázat okozhatnak, náthaszerű tünetekkel, különösen szennyezett dohány szívása esetén.

A forgólapátok és más alkatrészek kezelésekor be kell tartani a PTFE-re vonatkozó munkavégési egészségi és biztonsági előírásokat.

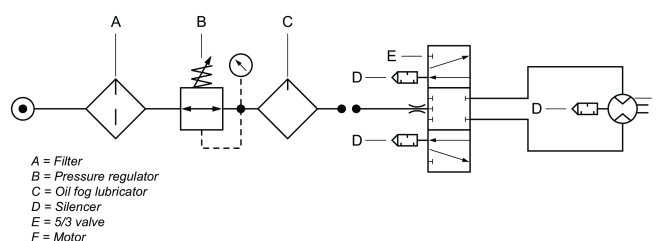
- ▶ Ne dohányozzon e termék szervizelésekor.
- ▶ Akadályozza meg, hogy a PTFE részecskék nyílt láng, izzó tárgyak vagy meleg hatásának legyenek kitéve.
- ▶ A motor alkatrészeit tisztítófolyadékkal kell mosni, nem szabad levegővel fúvatva tisztítani.
- ▶ Mielőtt bármilyen más művelethez fogna, mosson kezet.

IP-besorolás

A légmotorok IP-besorolásának meghatározása nyomás alatti állapotban történt, és a kivezetésre vagy a csatlakoztatott hangtompítóra nem terjed ki. Ha a motor vízbe merítve vagy erős vízszugárban fog működni, ajánlott a kivezetést elvezetni a vízből egy tömlővel. Ha vízbe meríti, minden esetben tartsa a motort az adott mélységhez tartozó nyomásnál magasabb nyomás alatt.

Beszerezési rajz

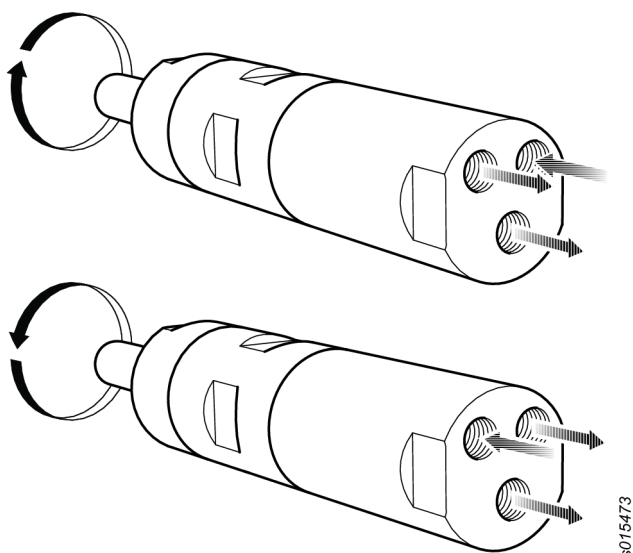
Két forgásirányú motor



A légellátás csatlakoztatása

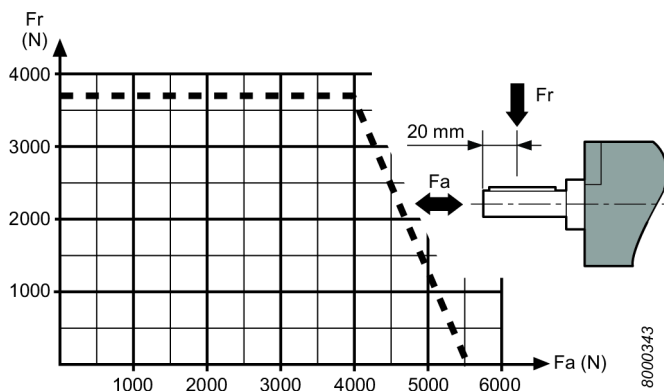
Amikor a nyomás alatt lévő levegőt a bemenethez csatlakoztatja, a forgás az ábrán látható irányba indul el. Ha a kifújt levegőt csöbe tereli, egy tömlőt kell csatlakoztatni a légkifúvó kimenethez.

A nyomás alatt lévő levegőellátást ahhoz a bemenethez kell csatlakoztatni, amely a kívánt irányba indítja a forgást, lásd az alábbi ábrát. A nem használt bemenet kiegészítő kimenetként használható és nem szabad lezárni.



s015473

Tengelyterhelési ábra



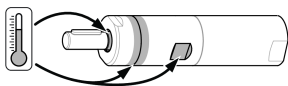
8000343

Forró pontok

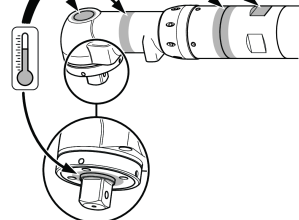
A légmotor következő forró pontjai magas hőmérsékletre melegedhetnek a működés során. A képen a különböző modellek forró pontjai láthatók:

- Tömítőgyűrű a kimenőtengelyen (A, B, C)
- Az első rész és a fogaskerékgyűrű közötti összekötő (A, B)
- Összefogó markolat (A, B)

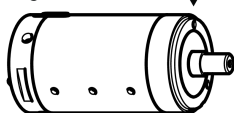
A



B



C



080298937

A motor maximális nyomás mellett, terhelés nélküli forgása esetén lépnek fel a maximális hőmérsékletek. A nyomaték növelésével csökken a légmotor fordulatszáma és a hőmérséklete.

Figyelmeztetés

E motor használata előtt győződjön meg arról, hogy ismeri a kezelési utasításokat.

E motort, kiegészítő elemeit és tartozékait csak olyan célra szabad használni, melyre tervezték.

A termékfelelősségi és biztonsági okokból a motor vagy tartozékainak bármely olyan változtatásához, mely befolyásolhatja a termékfelelősséget, a gyártó műszaki szakértőinek hozzájárulása szükséges.

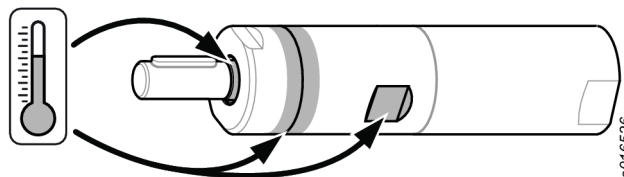
A személyi sérülések és a hosszú távú kockázatok megelőzésére:

- Ha a motor ATEX-tanusítvánnyal rendelkezik, szűrőt/hangtompítót kell a motor kipufogónyílásaira szerelni. A zajártalom csökkentése érdekében a hangtompítók használata más alkalmazásoknál is célszerű.
- Kösse le a motort a levegővezetékéről, mielőtt bármilyen beállítást végezne rajta.
- **Vigyázzon a kezeire, hajára és ruházatára – mindig tartsa távol azokat a forgó alkatrészekről.**

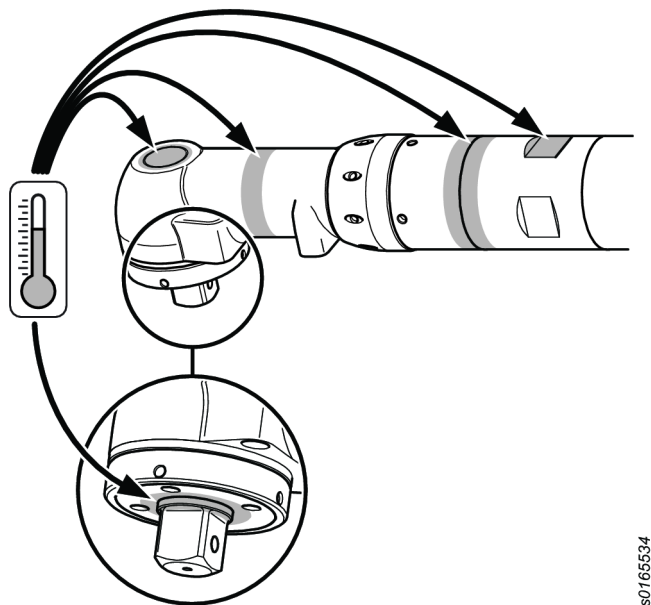
Karbantartás

- Ezen ATEX szerszám karbantartását és javítását kizárólag erre jogosult személy végezheti, amelyet követően legalább 5 perces üresjáratú vizsgálatot, valamint hőmérsékletmérést kell elvégezni, és az eredményeket fel kell jegyezni.

Egy 5 perces terhelés nélküli teszt után a felületi hőmérséklet nem haladhatja meg a 45°C + környezeti hőmérséklet összegét, ahol 0 – 40°C között változhat a környezeti hőmérséklet.



s016536



Általános biztonsági utasítások

Levegőellátó rendszerrel és csatlakozásokkal kapcsolatos veszélyek

- A nyomás alatt lévő levegő súlyos sérüléseket okozhat.
- Ha a szerszám nincs használatban zárja el a levegő-adagolást, ürítse ki a tömlőt és válassza le az eszközt a levegő-vezetékéről bármilyen termék-beállítási művelet előtt, mint például tartozékok cseréje vagy javítások.
- Soha ne irányítsa a levegőt önmaga vagy más személyek felé
- A nyomás alatt lévő lengő tömlők komoly sérüléseket okozhatnak. Mindig ellenőrizze, hogy a tömlők és csatlakozások ne legyenek hibásak vagy meglazulva.
- Ne haladja meg a 6,3 bar / 90 psi értékű - vagy a táblán feltüntetett - maximális levegőnyomást.

Beakadási veszélyek

- Tartsa be a forgó meghajtástól a védőtávolságot! Laza ruházat, kesztyűk, ékszerek, nyaklánc vagy hajdíz viselése esetén fulladásveszély állhat be, vagy a szerszám becsípheti a haját és a bőrt.

Repülő darabok miatti veszély

- Mindig viseljen ütésálló szem- és arcvédőt az eszköz használata közben, illetve a működő eszköz közelében, valamint javítás, karbantartás vagy alkatrészcsere közben.
- Ügyeljen, hogy az eszköz környezetében mindenki viseljen ütésálló szem- és arcvédőt. Ügyeljen rá, hogy a közelben tartózkodók mindnyájan viseljenek ütésálló szem- és arcvédőt!
- Biztonságosan rögzítse a munkadarabot.

Veszélyek működés közben

- Bilincselje le biztonságosan a szerszámot.
- Mielőtt a munkadarabot eltávolítaná várja meg, hogy a szerszám teljesen leálljon.
- Mindig szereljen start, stop és vészleállító vezérlőket arra a gépre, amelybe a motort/nyomaték-motort beépíti.

Zajártalom

- A nagy zajszint tartós halláskárosodást és egyéb problémákat - például fülzúgást - okozhat. Használjon zajvédelmi eszközöket a munkáltató előírásai, illetve a munkaegészségügyi vagy munkabiztonsági előírások szerint.
- A zaj- és vibrációs szint szükségtelen növelésének megelőzése érdekében a szerszám működtetése közben, a tartozékok kiválasztása, karbantartása és cseréje során tartsa be az ebben az útmutatóban leírtakat.

Munkavégzési óvintézkedések

- A megcsúszás, megbotlás és elesés a súlyos sérülés vagy halál fő oka. Ügyeljen a közlekedő és munkaterületeken levő felesleges tömlőszakaszokra!
 - Ne lélegezze be a port és ne érintse meg a munkafolyamatból származó olyan törmeléket, amely káros lehet egészségére (pl. rákot okozhat, szülési rendellenességekhez vezethet vagy asztmát és/vagy dermatitist okozhat). Ha olyan anyaggal dolgozik, amelyek légi úton terjedő részecskéket eredményeznek, használjon porelszívást és viseljen légzőkészüléket.
 - A szerszámgéppel végzett csiszolás, vágás, simítás, fúrás vagy más építkezési tevékenységek során keletkező por olyan kémiai anyagokat tartalmaz, melyeket a Kalifornia állam hatóságai a rákkeltő, születési rendellenességeket vagy más szaporodási ártalmakat okozó anyagok közé soroltak. Ilyen kémiai anyagokra például a következők:
 - Ólom az ólomtartalmú festékekből
 - Kristályos szilíciumdioxid téglából, cementből és más építőanyagokból
 - A gumi kémiai kezeléséből származó arzén és króm
- Az ilyen kockázatoknak való kitettség attól függően változik, hogy milyen gyakran végez ilyen típusú munkát. A vegyi anyagoknak való kitettség kockázatának csökkentése érdekében: dolgozzon jól szellőztetett környezetben és használjon jóváhagyott biztonsági védőfelszereléseket, mint például kifejezetten a mikroszkopikus részecskék szűrésére kidolgozott porvédő maszkok.
- Ismeretlen környezetben óvatosan mozogjon. Legyen tudában a munkavégzés során keletkező potenciális veszélyeknek! Ez a szerszám nem rendelkezik elektromos áramforrásokkal történő érintkezéshez elektromos szigeteléssel.

Jelek és matricák

A gép jelölésekkel és matricákkal van ellátva, melyek fontos információkat tartalmaznak a személyi biztonságra és a termék karbantartására vonatkozóan. A jelölések és matricák mindig jól olvashatók legyenek. Új jelek és matricák a tartalék alkatrészek listájáról rendelhetők.



ATEX tanúsítási információk

Az ATEX-kód meghatározása

Az ATEX-kód:



Ex II 2 G Ex h IIC T6 Gb

Ex II 2 D Ex h IIIC T85°C Db

°C ≤ Ta ≤ 40 °C

Leírás	Érték	Meghatározás
Berendezéscsoport	II	Felületmegmunkálás
Berendezéskategória	2	Magas fokú védelem
II. csoport		<ul style="list-style-type: none"> 1. zóna (gáz) 2. zóna (gáz) 21. zóna (por) 22. zóna (por)
Léggör	G	Gázt, gőzöket és ködöt tartalmazó léggör
	D	Port tartalmazó léggör
Biztonsági tervezés	H	Mechanikus termék
Gázcsoport	IIC	Hidrogén/acetilén
	IIB	Etilén
Porcsoport	IIIC	Felületi éghető por
Maximális felületi hőmérséklet gáztartalmú léggörben		T1 = 450°C T2 = 300°C T3 = 200°C T4 = 135°C T5 = 100°C T6 = 85°C
Maximális felületi hőmérséklet portartalmú léggörben		Például szolgáló hőmérsékletek: T85°C T110°C T120°C T125°C T240°C
Különleges korlátozás, például környezeti hőmérséklet tartománya.	X	

Hőmérsékletek

- A tanúsítvány max. 40 °C környezeti hőmérsékletig érvényes.
- 40 °C egyben a termékbe belépő sűrített levegő maximális megengedett hőmérséklete.

- Ha egy berendezésbe van építve a termék, akkor az egész berendezésnek meg kell felelnie a 2014/34/EU irányelveknek.
- Ellenőrizze, hogy a sűrített levegő megfelel-e a minőségi követelményeinknek (ISO/DIS 8573-1 szabvány 2.4.3. és 3.4.4 ill. 3.5.4 minőségi osztályai).
- Ne lépje túl a 6,3 bar, illetve a szerszám adattábláján megjelölt maximális nyomást. Az üzemi nyomás túllépése esetén a magasabb fordulatszám miatt megnőhet a felületi hőmérséklet, és a termék gyújtóforrássá válhat.

Robbanásvédelmi besorolás

Ha a termék egy eltérő robbanásvédelmi besorolású alkotóelemekből álló összeállítás részét képezi, akkor a legalacsonyabb biztonsági szint határozza meg a teljes összeállítás robbanásvédelmi besorolását.

Robbanásmegelőzési útmutatások

Tisztaság

- A csapágycsuk és felület felmelegedésének megelőzése érdekében mindig tartsa tisztán a terméket a porttól és piszoktól.
- Tompító használatkor: Szereljen szűrő funkcióval rendelkező tompítót a levegőkiömlőre, hogy megakadályozza a súrlódás miatt felmelegedett részecskék környezeti levegőbe jutását.

Használat

- Ellenőrizze, hogy a termék földelve van-e a műhely egyenpotenciálú bekötési rendszeréhez, például olyan eszközök segítségével mint tömlők vagy légnyomásvezető csatlakozások.
- A potenciálisan robbanásveszélyes környezetben a termékhez használt eszközök, például csavarkulcsok és légvezető csatlakozások hivatalos előírásoknak való megfelelésének biztosítása a felhasználó felelőssége.

Hasznos információk

Weboldal

A termékekre, a tartozékokra és a cserealkatrészekre, valamint a kiadványainkra vonatkozó információk a(z) Atlas Copco weboldalán található.

Látogasson el a következő címre: www.atlascopco.com.

ServAid

A rendszeresen frissített ServAid portál különböző műszaki információkkal szolgál, többek között:

- Szabályozási és biztonsági információk
- Műszaki adatok
- Szerelési, használati és szervizelési útmutatók
- Pótalkatrészlisták
- Tartozékok
- Mérettrajzok

Látogasson el a következő címre: <https://servaid.atlascopco.com>.

További műszaki információkért forduljon a helyi Atlas Copco-képviselőhöz.

Tehnični podatki

Tehnični podatki

Kataloška št.	8411046413
Model	LZB46-L-AR0004-11
Poraba zraka pri največji izhodni moči	14 l/s
Poraba zraka pri največji izhodni moči	29.7 cfm
Zavorni navor	Nm
Zavorni navor	ft lb
Vgrajena zavora	No
Material zunanjih delov	Hardened steel/Aluminium
Prosta hitrost	35 vrt/min
Maks. izhodna moč	0.59 kW
Maks. izhodna moč	0.79 hp
Min. začetni navor	388 Nm
Min. začetni navor	286 ft lb
Razmerje	
Zobniško razmerje	
Smer vrtenja	Reversible
Koda obremenitve telesa	h
Tip telesa	Keyed
Hitrost pri maks. moči	20 vrt/min
Zastojni navor	574 Nm
Zastojni navor	423 ft lb
Navor pri maks. izhodni moči	287 Nm
Navor pri maks. izhodni moči	212 ft lb
Tip kril	Lubrication free
Teža	4.9 kg
Teža	10.8 lb
Vhodna cev	10 mm
Vhodna cev	0.4 palcev
Kategorija zaščite pred vdorom (IP)	IP66
Izhodna cev	16 mm
Izhodna cev	0.6 palcev

Ocena IP

Ocena IP zračnih motorjev velja za mehansko ohišje v skladu s standardom IEC 60529. Ocena IP ne pokriva odpornosti površine na korozijo ali druge tekočine, razen odpornosti na čisto sladko vodo.

Izjave

EU IZJAVA O VGRADNJI

V družbi **Atlas Copco Industrial Technique AB**, SE-105 23 STOCKHOLM SWEDEN, izključno na lastno odgovornost izjavljamo, da je ta izdelek (z imenom, tipom in serijsko številko, glej naslovnico) v skladu z naslednjimi ključnimi zahtevami Direktive o strojih 2006/42/EC:

2006/42/EC (Annex I, clauses 1.1, 1.2 (excluding 1.2.4.3), 1.3, 1.4, 1.5, 1.6, 1.7)

In da je ta delno sestavljeni stroj skladen z določili naslednje druge oz. drugih Direktiv EU: 2014/34/EU (ATEX)

Te delno dokončane strojne opreme se ne sme uporabljati, dokler celotni sestav, v katerega bo vgrajena, ni potrjeno skladen z zahtevami Direktive o strojih 2006/42/ES, kjer je to smiselno.

Uporabljeni so naslednji evropski usklajeni standardi, oz. deli ali klavzule teh standardov:

EN 1127-1:2019, EN ISO 12100:2010, EN ISO 80079-36:2016, EN ISO 80079-37:2016

Relevantna tehnična dokumentacija je bila sestavljena in predložena skladno z delom B priloge VII direktive o strojih 2006/42/ES in odstavka (ii) dela (b) prve točke 13. člena direktive ATEX 2014/34/EU v Notified Body ExVeritas ApS (identifikacijska št. v EU 2804) na Danskem. Pristojni organ lahko zaprosi tehnični dokument za ATEX 2014/34/EU direktivo v papirni obliki pri: <meta-ref type="dynamic" name="AC.ITBA.CompanySpecific.tech_file_availability">[Company Specific Technical file availability]</meta-ref>

<https://www.exveritas.com/2022/02/02/what-you-need-for-atex-and-ukca-explosive-atmosphere-certification-for-the-uk-and-eu-markets/>

Stockholm, 1 September 2023

Håkan Andersson, Managing Director

Podpis izdajatelja



Informacije o 33. členu v sistemu REACH

Evropska uredba (EU) št. 1907/2006 o registraciji, evalvaciji, avtorizaciji in omejevanju kemikalij (REACH) med drugim določa zahteve glede obveščanja znotraj dobavne verige. Zahteve po obveščanju veljajo tudi za izdelke, ki vsebujejo t.i. snovi, ki zbuja veliko skrb («seznam kandidatov»). 27. 06. 2018 je bil na seznam kandidatov dodan svinec (CAS nr 7439-92-1).

Skladno z zgoraj navedenim vas obveščamo, da lahko določene mehanske komponente izdelka vsebujejo svinec. To je v skladu s trenutno zakonodajo o omejevanju snovi in na osnovi zakonitih izjem v direktivi RoHS (2011/65/EU). Svinec med običajno uporabo ne bo iztekal ali mutiral iz izdelka, koncentracija svinca v celotnem izdelku pa je

bistveno nižja od veljavne mejne vrednosti. Prosimo, pri odstranjevanju svinca ob koncu življenjske dobe izdelka upoštevajte lokalne zahteve.

lokalne zahteve

⚠ OPOZORILO

Ta izdelek vas lahko izpostavi kanikalijam, vključno s svincem, ki po vedenju države Kalifornije povzroča raka in okvare ob rojstvu oz. druge reproduktivne težave. Za več informacij obiščite

<https://www.p65warnings.ca.gov/>

Varnost

NE ZAVRZITE – POSREDUJTE UPORABNIKU

⚠ OPOZORILO Preberite vsa varnostna opozorila, navodila, ilustracije in specifikacije, ki jih prejmete z izdelkom.

Če navodil, ki so navedena spodaj, ne upoštevate, lahko pride do električnega udara, požara, škode na lastnini in/ali hudih poškodb.

Vsa opozorila in navodila shranite za prihodnjo uporabo.

⚠ OPOZORILO Vedno je treba upoštevati vsa varnostna pravila za namestitev, uporabo in vzdrževanje, ki so skladna z lokalno zakonodajo.

Izjava o uporabi

- Samo za profesionalno uporabo.
- Tega izdelka in njegovih dodatkov ni dovoljeno spreminjati na noben način.
- Če je izdelek poškodovan, ga ne uporabljajte.
- Če postanejo oznake s podatki o izdelku ali opozorila na nevarnosti, ki so na izdelku, neberljivi ali odpadejo, jih morate takoj zamenjati.
- Izdelek lahko nameščajo, upravljajo in servisirajo samo osebe, usposobljene za tako delo v industrijskem okolju.

Namen uporabe

Ta motor je oblikovan za vgraditev v nepremičen ali pre-mičen stroj. Namenjen je samo za levosučno vrtenje, desnosučno vrtenje ali reverzibilno vrtenje in ga je treba namestiti s prirobnico ali konico z navojem, kot je primerno. Druge uporabe niso dovoljene.

Tveganje, da bi motor postal vir vžiga morebitno eksplozivne atmosfere je izjemno majhno. Uporabnik nosi odgovornost ovrednotenja tveganj, ki so povezana s celotnim strojem, v katerega je treba vgraditi motor.

Navodila, specifična za izdelek

Opozorilo

⚠ OPOZORILO Nevarnost polimerov

Notranji deli izdelka vsebujejo PTFE (sintetični fluo-ropolimer - teflon). Zaradi obrabe se v notranjosti izdelka lahko delci PTFE. Pri segrevanju ti delci proizvajajo pare, ki povzročajo vročico, podobno simptomom gripe, še posebej v primeru, če kadite kontaminirane tobačne izdelke.

Pri izpostavljenosti tovrstnim okoljem morate upoštevati zdravstvene predpise za PTFE okolja.

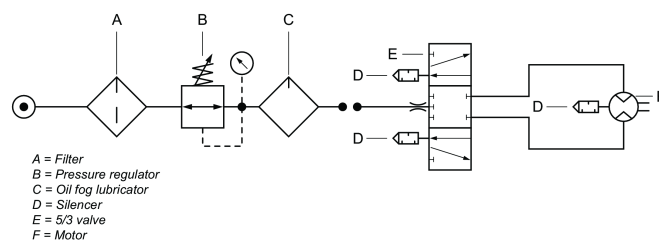
- ▶ Med servisiranjem tega izdelka ne kadite
- ▶ Delci PTFE ne smejo priti v stik z odprtim ognjem, viri žarenja ali vročino
- ▶ Dele motorja morate oprati s čistilno raztopino in ne izpihati z zrakom
- ▶ Pred začetkom kakršne koli druge aktivnosti si temeljito operite roke

Ocena IP

Ocena IP zračnih motorjev je nastavljena v stanju pod pritiskom in ne vključuje odvoda ali pritrdjenega glušnika. Če bo motor obratoval pod vodo ali pod močnimi curki vode, priporočamo, da odvod s cevjo speljete stran od vode. Kadar motor obratuje pod vodo, naj bo vedno pod pritiskom, večjim od pritiska v dani globini.

Skica namestitve

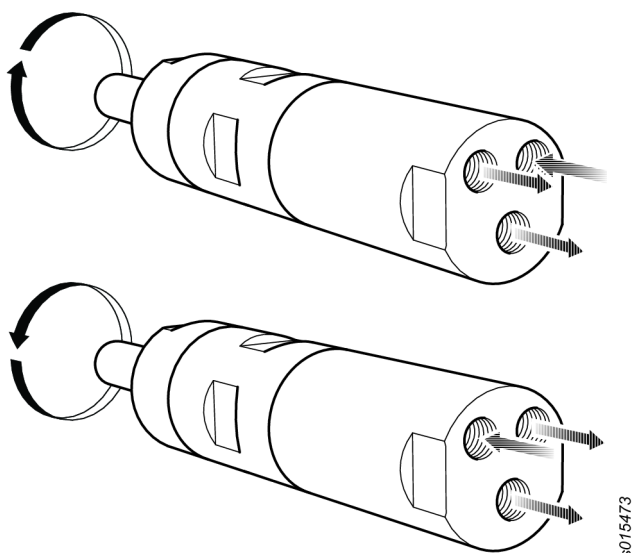
Reverzibilni motor



Priključitev dovajanja zraka

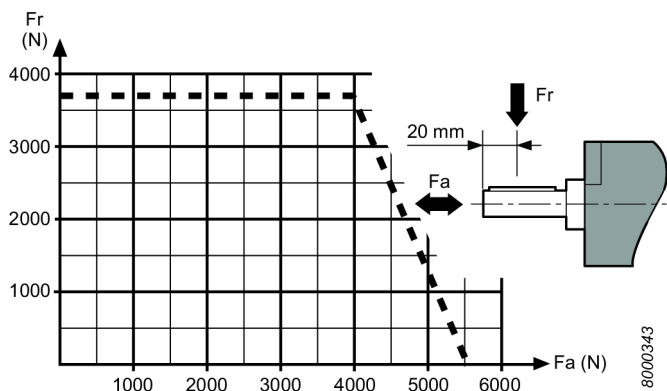
Če je na vhod priključen dovod stisnjene zraka, bo smer vrtenja enaka, kot je prikazano na spodnji sliki. Če morate izpušno cev speljati stran, morate na izpušni izhod priključiti cev.

Dovod stisnjene zraka je treba priključiti na ustrezen vhod za želeno smer vrtenja; glejte sliko spodaj. Vhod, ki ni v uporabi, deluje kot dodaten izhod, in se ga ne sme zamašiti.



s015473

Diagram obremenitve grede

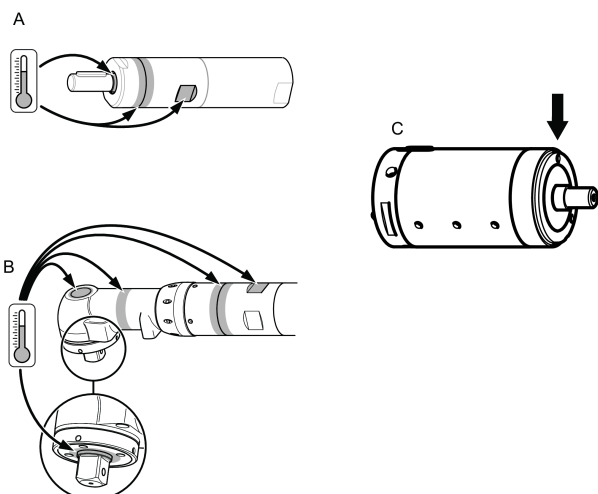


8000343

Vroče točke

Naslednje vroče točke na motorju lahko med uporabo dosežejo visoke temperature. Slika prikazuje vroče točke za določene modele:

- Tesnilni obroč pri delovni gredi (A, B, C)
- Zglob med sprednjim delom in obročem menjalnika (A, B)
- Prijemno mesto za ključ (A, B)



198298537

Do najvišjih temperatur pride, kadar motor deluje ob polnem tlaku brez obremenitve. S povečanjem navora se zmanjša vrtilna hitrost in temperatura zračnega motorja.

Opozorilo

Poskrbite, da boste pred uporabo tega motorja seznanjeni z navodili za uporabo.

Ta motor, njegove priključke in dodatke se lahko uporablja samo za predviden namen.

Zaradi razlogov odgovornosti in varnosti, povezanih z izdelkom, se je treba o vseh spremembah motorja ali njegovih dodatkov, ki lahko imajo vpliv na odgovornost za izdelek, dogovoriti s tehnično odgovorno osebo proizvajalca.

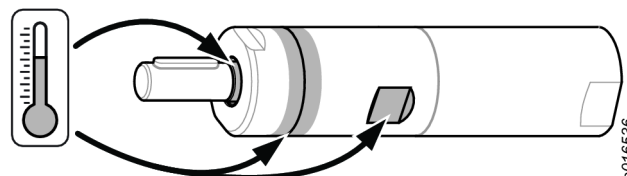
Za preprečitev osebnih poškodb in dolgoročnih tveganj:

- Če ima motor certifikat ATEX, je treba na izhodnih odprtinah motorja namestiti filtre/glušnike.
Glušniki so priporočeni tudi za druge aplikacije, kjer zmanjšajo izpostavljenost hrupu.
- Pred vsako operacijo nastavljanja morate motor odklopiti s cevi za zrak.
- Pazite na roke, lase in obleko – vedno se držite proč od vrtečih se delov.

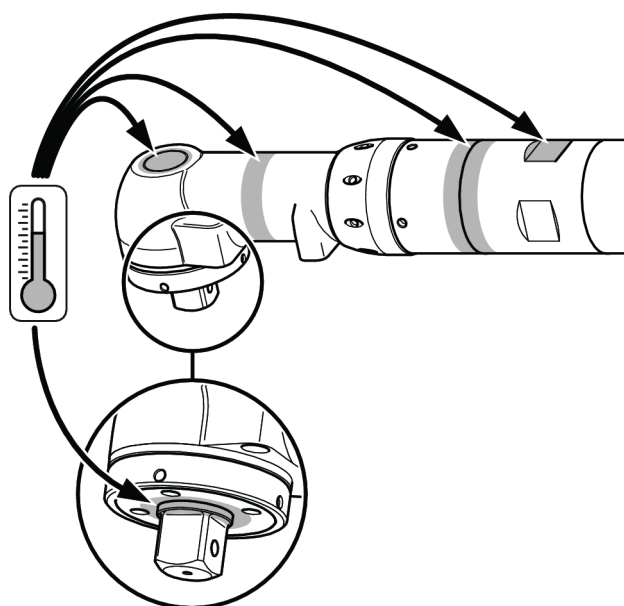
Vzdrževanje

- Vzdrževanja in popravila tega zračnega motorja ATEX lahko izvaja izključno samo pooblaščen osebje, nato pa je treba izvesti test brez obremenitve in merjenje temperature vročih točk (kot je vidno na sliki) in rezultate zabeležiti v protokol.

Po 5 min testu brez obremenitve temperatura ne sme preseči vsote 45°C + okoliška temperatura, kjer se lahko okoliška temperatura giblje med 0 – 40°C.



s016536



s016534

Splošna varnostna navodila

Nevarnosti pri oskrbi z zrakom in njegovi priključitvi

- Zraka nikoli ne usmerjajte proti sebi ali drugi osebi.
- Ko zaključite z delom, preden zamenjate priključke ali pred popravilom vedno zaprite dovod zraka, sprostite pritisk v zračni cevi in orodje odklopite od dovoda zraka.
- Zraka nikoli ne usmerjajte proti sebi ali drugi osebi.
- Gibke cevi lahko povzročijo hude poškodbe. Vedno preglejte, ali so oprema in cevi poškodovane oziroma slabo pritrjene.
- Ne presežite največjega zračnega pritiska 6,3 bara/90 psig ali kot je navedeno na označevalni tablici orodja.

Tveganja zaradi zapletanja

- Ne približujte se vrtečemu se pogonu. Če ohlapna oblačila, rokavice, nakit, ogrlice in lase približate orodju in pripomočkom, lahko pride do dušenja, iztrganja las in / ali ran.

Tveganja izvrženih kosov

- Vedno ko delate s tem orodjem, na njem opravljate popravila ali vzdrževanje, menjate priključke ali ste v njegovi bližini, nosite na udarce odporno zaščito za oči in obraz.
- Preverite, ali zaščito za oči in obraz, ki je odporna na izvržene predmete, nosijo vsi okoli vas. Tudi majhen izvržen predmet lahko oči poškoduje in povzroči slepoto.
- Poskrbite za dobro pritrditev obdelovanca.

Tveganja pri delu

- Orodje dobro vrnite.
- Preden odstranite obdelovanec morate poskrbeti, da bo orodje popolnoma zaustavljeno.
- Na stroj, v katerega vgradite ta motor, vedno namestite nadzorne elemente za zaustavitev pri zagonu, zaustavitvi in za zasilno zaustavitev.

Nevarnosti hrupa

- Visoke ravni zvoka lahko povzročijo trajno izgubo sluha in druge težave, kot so zvonjenje v ušesih. Uporabljajte zaščito za ušesa, kot jo priporoča delodajalec ali predpisi o poklicnem zdravju in varnosti.
- Za preprečitev nepotrebnega povečanja ravni hrupa, orodje upravljajte in vzdržujte, dodatke in potrošni material pa izberite, vzdržujte in zamenjajte skladno s tem priročnikom z navodili.

Nevarnosti na delovnem mestu

- Glavni vzroki za resne poškodbe ali smrt so zdrsi, spotiki in padci. Pazite na cevi, puščene na hodniku ali na delovni površini.
- Izogibajte se vdihavanju prahu ali hlapov ostankov iz delovnega procesa, ki lahko povzročijo poslabšanje zdravja (na primer, raka, dedne okvare, astmo in/ali dermatitis). Kadar delate z materiali, ki ustvarjajo leteče delce, uporabite sistem za odsesavanje prahu in nosite zaščito za dihalo.
- Mogoče je, da bo prah, ki nastane pri peskanju, žaganju, brušenju, vrtnanju ali drugih gradbenih dejavnostih, vseboval kemikalije, za katere je v zvezni državi Kaliforniji

znano, da povzročajo raka, napake pri rojstvu ali druge razmnoževalne poškodbe. Nekateri primeri teh kemikalij so:

- svinec iz barv na svinčeni osnovi
- kristalinične kremenove opeke in cement ter drugi zidarski proizvodi
- arzen in krom s kemijsko obdelane gume

Vaše tveganje pri teh izpostavljanjih je odvisno od tega, kako pogosto opravljate to vrsto dela. Da boste zmanjšali izpostavljenost tem kemikalijam: delajte v dobro prezračenem prostoru ter uporabljajte odobreno zaščitno opremo, kot so maske za prah, ki so izrecno namenjena za filtriranje mikroskopskih delcev.

- V neznanih okoliščinah bodite izjemno previdni. Zavedajte se mogočih nevarnosti, ki jih lahko ustvarite s svojimi delovnimi aktivnostmi. To orodje ni izolirano pred stikom z viri električnega toka.

Znaki in etikete

Izdelek je opremljen z znaki in nalepkami, ki vsebujejo pomembne informacije o osebni varnosti in o vzdrževanju izdelka. Nalepke in znaki morajo biti vedno dobro berljivi. Nove znake in nalepke lahko naročite s pomočjo seznama rezervnih delov.



s011050

Informacije o certificiranju ATEX

Opredelitev kode ATEX

Koda ATEX je:



Ex II 2 G Ex h IIC T6 Gb

Ex II 2 D Ex h IIIC T85°C Db

°C ≤ Ta ≤ 40 °C

Opis	Vrednost	Opredelitev
Skupina opreme	II	Površinska industrija
Kategorija opreme	2	Visoka stopnja zaščite
Skupina II		<ul style="list-style-type: none"> • cona 1 (plin) • cona 2 (plin) • cona 21 (prah) • cona 22 (prah)
Ozračje	G	Ozračje, ki vsebuje plin, hlapo ali meglice
	D	Ozračje, ki vključuje prah
Varnostno načrtovanje	h	Mehanski izdelek

Opis	Vrednost	Opredelitev
Skupina plinov	IIC	Vodik/acetilen
	IIB	Etilen
Skupina prahu	IIIC	Površinski vnetljiv prah
Maks. površinska temperatura v plinskem ozračju	T1 = 450 °C	
	T2 = 300°C	
	T3 = 200°C	
	T4 = 135 °C	
	T5 = 100°C	
	T6 = 85°C	
Maks. površinska temperatura v prašnem ozračju	Primeri temperatur:	
	T85 °C	
	T110 °C	
	T120 °C	
	T125 °C	
	T240 °C	
Posebne omejitve, na primer obsega temperature okolice.	X	

Temperature

- Največja okoliška temperatura, pri kateri je certifikat veljaven, je 40°C.
- 40°C je tudi največja dovoljena temperatura stisnjenega zraka pri vstopu v izdelek.
- Če je izdelek nameščen v opremi, mora celotna oprema ustrezati direktivi 2014/34/EU.
- Poskrbite, da bo stisnjen zrak ustrezal našim zahtevam glede kakovosti (razredi kakovosti 2.4.3. in 3.4.4 ter 3.5.4 skladno s standardom ISO/DIS 8573-1:2010).
- Ne presežite največjega pritiska 6,3 bara ali kot je navedeno na označevalni tablici izdelka. Če presežete delovni tlak, lahko pride do povečanja površinske temperature zaradi večje hitrosti vrtenja, izdelek pa lahko postane vir vžiga.

Razred eksplozijske zaščite

Če je izdelek del sklopa, v katerem imajo sestavni deli različne razrede eksplozijske zaščite, potem komponenta z najnižjo stopnjo varnosti opredeljuje razred eksplozijske zaščite celotnega sklopa.

Smernice za preprečevanje eksplozij

Čistoča

- Poskrbite, da izdelek ne bo prišel v stik s prahom in umazanijo, da se prepreči povečana temperatura ležajev in površine.

- Če uporabljate dušilec zvoka: poskrbite, da se bo namestilo dušilec z učinkom filtriranja na zračnem izhodu, da se delcem, segretim zaradi trenja, prepreči vstop v okoliško ozračje.

Uporaba

- Izdelek mora biti ozemljen z ekvipotencialnim povezovalnim sistemom delavnice, na primer preko ustreznih pripomočkov, kot so cevi in tlačne zračne povezave.
- Odgovornost uporabnika je, da poskrbi, da vsi možni pripomočki za izdelek, kot so ključi in zračni priključki, ustrezajo nacionalnim varnostnim predpisom za opremo, ki se uporablja v morebitnih eksplozivnih območjih.

Koristne informacije

Spletno mesto

Informacije o naših izdelkih, dodatni opremi, nadomestnih delih in objavljenih publikacijah lahko najdete na spletni strani Atlas Copco.

Prosimo, obiščite: www.atlascopco.com.

ServAid

ServAid je portal, ki ga nenehno posodabljam in ki vsebuje tehnične informacije, kot so:

- Regulativne in varnostne informacije
- Tehnični podatki
- Namestitvev, uporaba in servisna navodila
- Seznam nadomestnih delov
- Dodatki
- Skice z merami

Prosimo, obiščite: <https://servaid.atlascopco.com>.

Za več tehničnih informacij stopite v stik s svojim lokalnim servisnim predstavnikom družbe Atlas Copco.

Date tehnice

Date tehnice

Nr. comandă	8411046413
Model	LZB46-L-AR0004-11
Consum de aer la putere maximă	14 l/s
Consum de aer la putere maximă	29.7 cfm
Cuplu frânare	Nm
Cuplu frânare	ft lb
Frâna integrată	No
Material componente externe	Hardened steel/Aluminium
Turație la gol	35 r/min
Putere maximă	0.59 kW
Putere maximă	0.79 hp
Cuplu minim de pornire	388 Nm

Cuplu minim de pornire	286 ft lb
Raport	
Raportul de demultiplicare	
Sens de rotație	Reversible
Cod încărcare ax	h
Tip ax	Keyed
Turație la putere maximă	20 r/min
Cuplu de blocare	574 Nm
Cuplu de blocare	423 ft lb
Cuplu la putere maximă	287 Nm
Cuplu la putere maximă	212 ft lb
Tip ventilator	Lubrication free
Greutate	4.9 kg
Greutate	10.8 lb
Furtun admisie	10 mm
Furtun admisie	0.4 in
Clasa de protecție la infiltrare	IP66
Furtun ieșire	16 mm
Furtun ieșire	0.6 in

Clasificarea IP

Clasificarea IP a motoarelor pneumatice se referă la carcasa mecanică conform standardului IEC 60529. Clasificarea IP nu acoperă rezistența la coroziune sau alte lichide diferită de apă dulce, curată.

Declarații

DECLARAȚIA DE ÎNCORPORARE UE

Noi, **Atlas Copco Industrial Technique AB**, SE-105 23 STOCKHOLM SWEDEN, declarăm pe propria răspundere că acest produs (cu denumirea, tipul și numărul de serie, vezi prima pagină) satisface următoarele cerințe esențiale ale Directivei privind echipamentele tehnice 2006/42/CE:

2006/42/EC (Annex I, clauses 1.1, 1.2 (excluding 1.2.4.3), 1.3, 1.4, 1.5, 1.6, 1.7)

Și că acest utilaj parțial complet este conform cu prevederile următoarei/următoarelor Directive UE: 2014/34/EU (ATEX)

Acest echipament parțial complet, nu trebuie pus în funcțiune până când ansamblul final în care trebuie integrat nu este declarat conform cu prevederile Directivei privind echipamentele tehnice 2006/42/CE, dacă este cazul.

S-au aplicat următoarele standarde europene armonizate (părți/clauze):

EN 1127-1:2019, EN ISO 12100:2010, EN ISO 80079-36:2016, EN ISO 80079-37:2016

Documentația tehnică aferentă a fost compilată și comunicată în conformitate cu Directiva privind mașinile 2006/42/CE partea B a Anexei VII și cu Directiva 2014/34/UE Articolul 13 (1) b) ii de către agenția de certificare ExVeritas ApS (nr. identificare UE 04 2804) din Danemarca. Autoritățile pot solicita dosarul tehnic pentru Directiva ATEX 2014/34/UE în format fizic de la:

<https://www.exveritas.com/2022/02/02/what-you-need-for-atex-and-ukca-explosive-atmosphere-certification-for-the-uk-and-eu-markets/>

Stockholm, 1 September 2023

Håkan Andersson, Managing Director

Semnătura emitentului



Informații referitoare la Articolul 33 din REACH

Regulamentul European (UE) Nr. 1907/2006 privind Înregistrarea, Evaluarea, Autorizarea și restricționarea Substanțelor chimice (REACH) definește, printre altele, cerințele privind comunicarea din lanțul de aprovizionare. Cerința privind informarea se aplică și la produsele care conțin așa numitele Substanțe care prezintă motive de îngrijorare deosebită („Listă a substanțelor identificate în vederea unei eventuale includeri în procedura de autorizare”). Pe 27 iunie 2018 plumbul metal (CAS nr 7439-92-1) a fost adăugat la Lista substanțelor identificate în vederea unei eventuale includeri în procedura de autorizare.

Urmare a celor de mai sus, prin prezenta vă informăm că anumite componente mecanice din acest produs pot conține plumb metal. Aceasta este în conformitate cu legislația curentă privind restricția substanțelor și în baza excepțiilor legitime din Directiva RoHS (2011/65/UE). Plumbul metal nu se va scurge sau va suferi mutații din produs în timpul utilizării normale, concentrația de plumb metal din produsul finit este mult sub limitele prevăzute. Să aveți în vedere cerințele locale privind eliminarea plumbului la încheierea duratei de exploatare a produsului.

Cerințe regionale

AVERTISMENT

Acest produs vă poate expune la substanțe chimice, inclusiv plumb, care este cunoscut Statului California ca fiind cauzator de cancer și de defecte la naștere sau de alte efecte nocive asupra funcției de reproducere. Pentru mai multe informații, accesați

<https://www.p65warnings.ca.gov/>

Siguranța

A NU SE ARUNCA - A SE PREDA UTILIZATORULUI

⚠️ AVERTISMENT Citiți toate avertismentele, instrucțiunile, ilustrațiile și specificațiile furnizate împreună cu produsul.

În cazul nerespectării tuturor instrucțiunilor de mai jos, este posibilă producerea unei electrocutări, unui incendiu, unor daune asupra proprietății și/sau a unei vătămări grave.

Păstrați toate avertismentele și instrucțiunile pentru consultări ulterioare.

⚠️ AVERTISMENT Trebuie respectate permanent toate reglementările de siguranță din legislația locală privind instalarea, utilizarea și întreținerea.

Declarație privind utilizarea

- Exclusiv pentru utilizarea profesională.
- Acest produs și accesoriile sale nu trebuie modificate în niciun fel.
- Nu utilizați acest produs dacă este deteriorată.
- În cazul în care datele produsului sau etichetele de avertizare la pericole de pe acesta devin ilizibile sau se detașează, înlocuiți-le imediat.
- Produsul trebuie instalat, utilizat și întreținut exclusiv de către personalul calificat, într-un mediu industrial.

Scop preconizat

Acest motor este proiectat pentru a fi integrat într-o mașină fixă sau mobilă. Motorul este pentru rotație exclusivă la dreapta, exclusivă la stânga sau rotație reversibilă și trebuie montat numai pe flanșă sau pe capătul filetat, în funcție de necesități. Nu este permis niciun alt scop de utilizare.

Riscul ca motorul să constituie sursa de aprindere a unei atmosfere potențial explozive este extrem de redus. Utilizatorul este răspunzător pentru evaluarea riscurilor totale asociate unelei în care va fi încorporat motorul.

Instrucțiuni specifice produsului

Atenție

⚠️ AVERTISMENT Pericole asociate polimerilor

Lamelele folosite la acest produs conțin PTFE (un fluoropolimer sintetic). Din cauza uzurii, este posibil să apară particule de PTFE în interiorul produsului. PTFE încălzit poate genera vapori ce pot provoca febră, având simptome similare cu răceala, în special dacă se fumează tu-tun contaminat.

În cazul manipulării acestor lamele, dar și a altor componente, trebuie respectate recomandările de sănătate și securitate referitoare la PTFE.

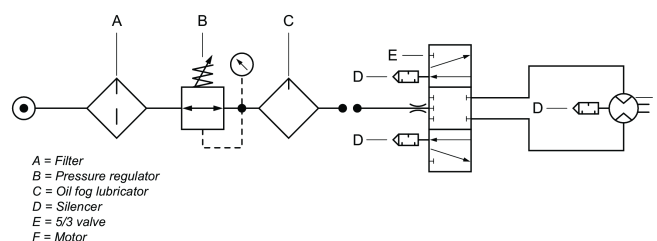
- ▶ Nu fumați în timpul lucrărilor de service
- ▶ Evitați ca particulele PTFE să intre în contact cu focul, obiecte incandescente sau căldură
- ▶ Componentele motorului trebuie spălate cu soluție de curățat. A nu se curăța prin suflare cu un furtun cu aer.
- ▶ Înainte de a demara orice operațiune, spălați-vă pe mâini.

Clasificarea IP

Clasificarea IP a motoarelor pneumatice este stabilită în condiții de presiune și exclude ieșirea sau amortizorul de zgomot atașat. Dacă motorul va funcționa scufundat sau sub jeturi puternice de apă, se recomandă amplasarea ieșirii departe de apă cu ajutorul unui furtun. Când este scufundat, țineți permanent motorul sub presiune cu o presiune mai ridicată decât adâncimea respectivă.

Schema de montaj

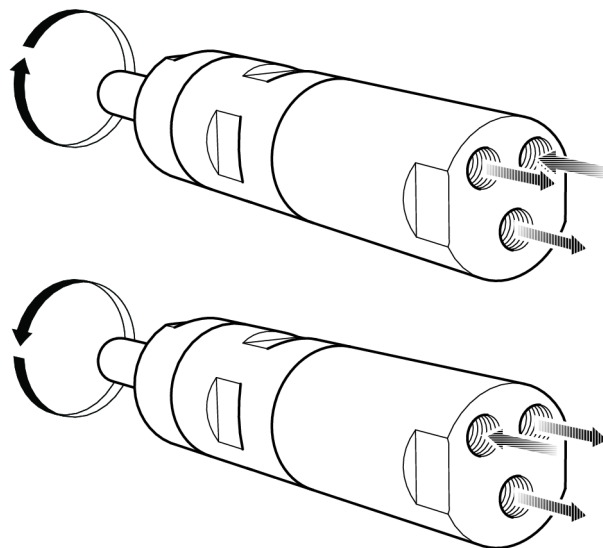
Motor reversibil



Cuplarea sursei de aer

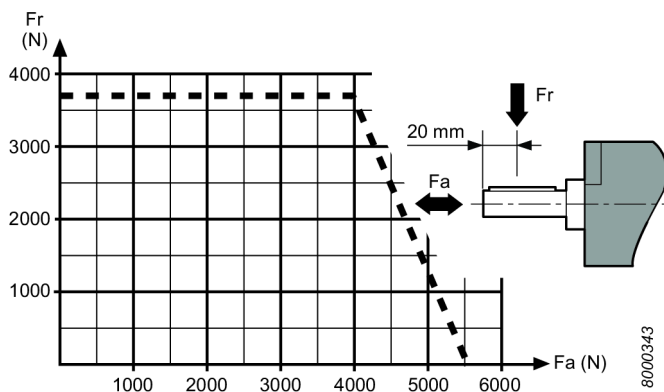
Atunci când sursa de aer comprimat este cuplată la orificiul de admisie, sensul de rotație va fi cel indicat în figura de mai jos. Dacă aerul evacuat trebuie ghidat, este necesară cuplarea unui furtun la orificiul de evacuare.

Sursa de aer comprimat trebuie cuplată la admisia corespunzătoare sensului de rotație dorit, vezi figura de mai jos. Orificiul de admisie neutilizat funcționează ca orificiu de evacuare și nu trebuie obturat.



s015473

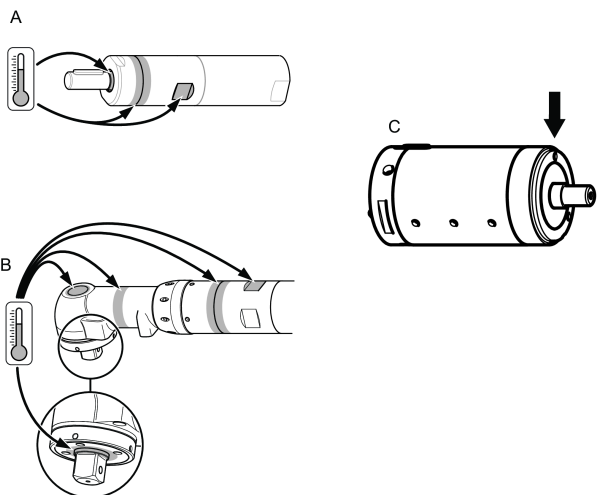
Diagrama de sarcină a axului



Puncte fierbinți

Următoarele puncte fierbinți de pe motor pot atinge temperaturi ridicate în timpul funcționării. Imaginea prezintă punctele fierbinți pentru anumite modele:

- Oringul arborelui de ieșire (A, B, C)
- Îmbinarea dintre partea frontală și coroana dințată (A, B)
- Mânerul cheii (A, B)



Temperaturile cele mai ridicate se înregistrează atunci când motorul funcționează la presiune maximă în gol. Simultan cu creșterea cuplului, motorul pneumatic reduce turația și temperatura.

Atenție

Citiți cu atenție instrucțiunile de operare înainte de a folosi acest motor.

Acest motor, precum și atașamentele și accesoriile acestuia pot fi folosite doar în scopul pentru care au fost proiectate.

Din motive de siguranță și de responsabilitate asupra produsului, orice modificare adusă motorului sau accesoriilor sale, care afectează responsabilitatea asupra produsului, trebuie agreeată anterior cu autoritatea tehnică a producătorului.

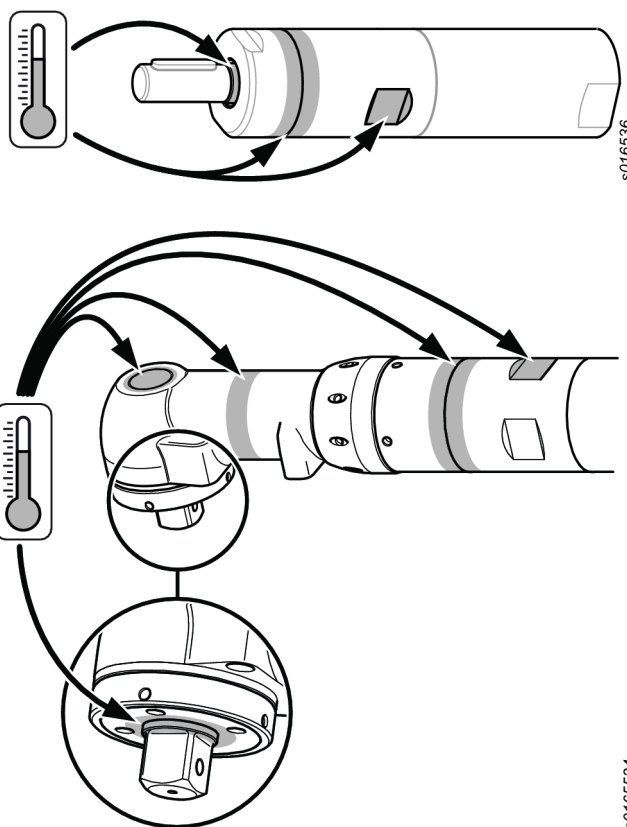
Pentru a preveni vătămarea corporală și riscurile pe termen lung:

- Dacă motorul este certificat ATEX, trebuie instalate filtre/amortizoare de zgomot la gurile de evacuare ale motorului.
Amortizoarele sunt recomandate și pentru alte aplicații pentru a reduce expunerea la zgomot.
- Deconectați motorul de la alimentarea cu aer înainte de orice operație de reglare.
- **Atenție la mâini, păr și haine - țineți-le mereu la distanță de piesele în mișcare.**

Întreținerea

- Întreținerea și reparațiile acestui produs ATEX trebuie efectuate exclusiv de către personal autorizat. Ulterior, se vor desfășura o probă la gol și măsurători de temperatură în punctele cheie (cum se arată în figură), ce vor fi consemnate într-un raport.

După o probă la gol de 5 min, temperatura suprafeței nu trebuie să depășească suma dintre 45°C + temperatura ambiantă, unde temperatura ambiantă poate varia între 0 – 40°C.



Instrucțiuni generale de siguranță

Pericole asociate alimentării cu aer și conexiunilor

- Aerul comprimat poate cauza vătămări grave.
- Când nu utilizați unealta, înaintea înlocuirii accesoriilor sau când efectuați reparații, opriți alimentarea cu aer, goliți furtunul de aer comprimat și deconectați unealta de la sursa de aer.
- Nu îndreptați niciodată jetul de aer spre persoane.

- Furtunurile cu aer comprimat scăpate de sub control pot provoca vătămări grave. Verificați întotdeauna dacă există furtunuri și racorduri deteriorate sau slabe.
- Nu depășiți presiunea maximă a aerului de 6,3 bar / 90 psig sau cea specificată pe plăcuța cu datele tehnice de pe unealtă.

Pericole de agățare și încurcare

- Păstrați distanța față de axul rotativ. Este posibilă producerea de strangulări, scalpări sau laceratii dacă hainele largi, mănușile, bijuteriile, podoabele pentru gât și părul nu sunt ținute la distanță de unealtă și de accesoriile acesteia.

Pericolele reprezentate de obiectele proiectate

- Purtați întotdeauna o mască de protecție rezistentă la șoc pentru ochi și față atunci când utilizați, reparați sau întrețineți o unealtă, când schimbați accesoriile acesteia sau când vă aflați în apropiere în cursul acestor operațiuni.
- Asigurați-vă că toți cei aflați în zonă poartă măști de protecție rezistente la impact pentru ochi și față. Chiar și obiectele proiectate de mici dimensiuni pot răni ochii și provoca orbirea.
- Piesa de prelucrat trebuie fixată ferm.

Pericole în timpul utilizării

- Fixați ferm unealta.
- Unealta trebuie să fie complet oprită înainte de îndepărtarea piesei de prelucrat.
- Montați întotdeauna comenzi de pornire, oprire și oprire de urgență pe mașina în care va fi integrat un motor/motor de cuplu.

Pericole asociate zgomotului

- Nivelul ridicat al sunetului poate provoca hipoacuzia permanentă și alte probleme precum acufena. Folosiți mijloace de protecție pentru auz, așa cum este recomandat de către angajator sau în reglementările de siguranță și sănătate ocupațională.
- Pentru prevenirea creșterii nedorite a nivelului de zgomot, utilizați și întrețineți unealta și selectați, întrețineți și înlocuiți accesoriile și consumabilele, conform instrucțiunilor prezentate în acest manual.

Riscuri asociate locului de muncă

- Alunecările/împiedicarea/căzăturile sunt cauze majore de vătămare gravă sau deces. Acordați atenție porțiunilor de furtun rămase pe podea sau pe suprafața de lucru.
- Evitați inhalarea pulberilor, vaporilor sau sfărâmăturilor produse în procesul de lucru deoarece pot produce îmbolnăviri (de exemplu cancer, malformații la naștere, astm și/sau dermatite). Când lucrați cu materiale care pot produce particule în suspensie, utilizați extractoare de praf și purtați echipament de protecție a căilor respiratorii.
- Anumite tipuri de praf produs prin sablare, tăiere, polizare, găurire sau în urma altor activități din construcții conțin substanțe chimice care, după cum se știe în statul California, sunt cancerigene și provoacă malformații congenitale sau afecțiuni reproductive. Printre aceste chimicale se numără:
 - Plumbul din vopsele pe bază de plumb

- Căramizile și cimentul pe bază de oxid de siliciu cristalizat și alte produse de zidărie
- Arsenicul și cromul din cauciucul tratat chimic

Riscul specific acestor expuneri variază în funcție de frecvența efectuării activității respective. Pentru a reduce expunerea la aceste chimicale: lucrați într-o zonă bine aerisită și dotată cu echipamente de protecție aprobate, precum măștile de praf proiectate special pentru filtrarea particulelor microscopice.

- Procedați cu atenție în medii insuficient cunoscute. Conștientizați riscurile asociate activității desfășurate. Această unealtă nu este izolată în cazul contactului cu surse electrice.

Indicatoare și autocolante

Produsul este prevăzut cu marcaje și autocolante ce conțin informații importante despre siguranța personală și întreținerea produsului. Marcajele și autocolantele trebuie să fie ușor lizibile permanent. Marcaje și autocolante noi pot fi comandate de pe lista de piese de schimb.



s011050

Informații de certificare ATEX

Definiția codului ATEX

Codul ATEX este:



Ex II 2 G Ex h IIC T6 Gb
 Ex II 2 D Ex h IIIC T85°C Db
 °C ≤ Ta ≤ 40 °C

Descriere	Valoare	Definiție
Grupa de echipamente	II	Industria de suprafață
Categoria de echipamente	2	Nivel ridicat de protecție
Grupa II		<ul style="list-style-type: none"> • zona 1 (gaze) • zona 2 (gaze) • zona 21 (praf) • zona 22 (praf)
Atmosfera	G	Atmosfera care conține gaz, vapori sau aburi
	D	Atmosfera care conține praf
Design de siguranță	h	Produs mecanic
Grupa de gaze	IIC	Hidrogen/acetilenă
	IIB	Etilenă
Grupa de praf	IIIC	Praf inflamabil de suprafață

Descriere	Valoare	Definiție
Temperatura maximă la suprafață în atmosferă cu gaze		T1 = 450 °C
		T2 = 300 °C
		T3 = 200 °C
		T4 = 135 °C
		T5 = 100 °C
		T6 = 85 °C
Temperatura maximă a suprafeței în medii cu praf		Exemple de temperaturi:
		T85 °C
		T110 °C
		T120 °C
		T125 °C
Restricție specială, de exemplu gama de temperatură ambiantă.	X	T240 °C

Temperaturi

- Temperatura ambiantă maximă pentru care este valabilă certificarea este de 40°C.
- 40°C reprezintă și temperatura maximă permisă pentru aerul comprimat la pătrunderea în unealtă.
- Dacă acest produs este montat într-un echipament, acesta din urmă trebuie să corespundă în totalitate prevederilor 2014/34/UE.
- Verificați dacă aerul comprimat îndeplinește cerințele noastre de calitate (clasa calitativă 2.4.3. și 3.4.4, respectiv 3.5.4 conform ISO/DIS 8573-1:2010).
- Nu depășiți presiunea maximă a aerului de 6,3 bar sau cea specificată pe plăcuța cu datele tehnice de pe produs. Depășirea presiunii de lucru poate produce creșterea temperaturii suprafeței din cauza turației mai ridicate, iar produsul poate deveni o sursă de foc.

Clasificarea Ex

Dacă produsul este parte a unui ansamblu în care componentele au coduri Ex diferite, clasificarea Ex al ansamblului este dată de componentele cu cel mai redus nivel de siguranță.

Instrucțiuni de prevenire a exploziilor

Curățarea

- Pentru a preveni creșterea temperaturii rulmentului și a suprafeței, produsul trebuie să fie lipsit de praf și murdărie.
- Dacă folosiți un amortizor de zgomot: Pentru a preveni scăparea în atmosferă a eventualelor particule încălzite prin frecare, montați un amortizor de zgomot cu efect de filtrare la orificiul de ieșire a aerului.

Mod de utilizare

- Asigurați-vă că produsul este împământat prin conexiunea electrică echipotențială a atelierului, de exemplu prin accesorii precum furtunuri și conexiuni pneumatice.
- Utilizatorului îi revine responsabilitatea de a se asigura că produsul și toate accesoriile acestuia, precum chei și racorduri pneumatice, respectă reglementările privind siguranța în vigoare la nivel național pentru echipamentele ce pot fi folosite în zone cu pericol de explozie.

Informații utile

Site web

Informațiile referitoare la Produsele, Accesoriile, Piesele de schimb și Publicațiile noastre se găsesc pe site-ul web Atlas Copco.

Vă rugăm să vizitați: www.atlascopco.com.

ServAid

ServAid este un portal actualizat permanent și care conține Informații tehnice, precum:

- Informații de reglementare și siguranță
- Date tehnice
- Instrucțiuni de instalare, utilizare și service
- Liste cu piese de schimb
- Accesorii
- Scheme dimensionale

Vă rugăm să vizitați: <https://servaid.atlascopco.com>.

Pentru mai multe Informații tehnice, vă rugăm să contactați reprezentantul Atlas Copco local.

Teknik Veriler

Teknik veriler

Sipariş No	8411046413
Model	LZB46-L-AR0004-11
Azami güçte hava tüketimi	14 l/s
Azami güçte hava tüketimi	29.7 cfm
Frenleme torku	Nm
Frenleme torku	ft lb
Yerleşik fren	No
Dış parçaların malzemesi	Hardened steel/Aluminium
Serbest hız	35 dev/dak
Maks güç	0.59 kW
Maks güç	0.79 hp
Min başlangıç torku	388 Nm
Min başlangıç torku	286 ft lb
Oran	
Dişli oranı	
Dönüş yönü	Reversible
Şaft yüklemeye kodu	h

Şaft tipi	Keyed
Azami güçte hız	20 dev/dak
Durma torku	574 Nm
Durma torku	423 ft lb
Azami güçte tork	287 Nm
Azami güçte tork	212 ft lb
Kanat tipi	Lubrication free
Ağırlık	4.9 kg
Ağırlık	10.8 lb
Giriş hortumu	10 mm
Giriş hortumu	0.4 in
Giriş koruma derecesi	IP66
Çıkış hortumu	16 mm
Çıkış hortumu	0.6 in

IP Derecelendirmesi

Hava motorlarının IP Derecelendirmesi ile IEC 60529 standardına göre mekanik muhafazaya atıfta bulunmaktadır. IP derecelendirmesi korozyon direncini veya temiz tatlı su dışındaki herhangi bir sıvıyı kapsamaz.

Beyanlar

AB KURULUŞ BEYANI

Biz Atlas Copco Industrial Technique AB, SE-105 23 STOCKHOLM SWEDEN, olarak bu ürünün (ad, tip ve seri numarası ile birlikte, ön sayfaya bakınız) 2006/42/EC Makine Direktifinin aşağıdaki temel gerekliliklerini karşıladığımızı kendi sorumluluğumuz altında olduğunu:

2006/42/EC (Annex I, clauses 1.1, 1.2 (excluding 1.2.4.3), 1.3, 1.4, 1.5, 1.6, 1.7)

Ve bu kısmen tamamlanmış makinenin aşağıdaki diğer AB Direktif(ler)i hükümlerine uygun olduğunu beyan ederiz: 2014/34/EU (ATEX)

Bu kısmen tamamlanmış makine aksamının içine monte edilmesinin planlandığı nihai makinenin, 2006/42/EC sayılı Makine Direktifinin hükümlerine uygun olduğu bildirilene kadar hizmete alınmaması gerekir.

Aşağıdaki Avrupa uyumlaştırılmış standartlarına (kısımlar/hükümler) uygulanmıştır:

EN 1127-1:2019, EN ISO 12100:2010, EN ISO 80079-36:2016, EN ISO 80079-37:2016

İlgili teknik dokümantasyon, Danimarka'daki Onaylanmış Kuruluş ExVeritas ApS'de (AB Kimlik No 2804) yer alan Ek VII'nin Makine Direktifi 2006/42/EC bölüm B ve ATEX Direktifi 2014/34/EU Madde 13 (1) b) ii'ye uygun olarak derlenmiş ve iletilmiştir. Yetkili makamlar 2014/34/AB sayılı ATEX Direktifinin teknik dosyasını basılı form olarak şuradan isteyebilir:

<https://www.exveritas.com/2022/02/02/what-you-need-for-atex-and-ukca-explosive-atmosphere-certification-for-the-uk-and-eu-markets/>

Stockholm, 1 September 2023

Håkan Andersson, Managing Director

Hazırlayanın imzası



REACH Madde 33 ile ilgili bilgiler

Kimyasalların Tescili, Değerlendirilmesi, İzni ve Kısıtlanması (REACH) ile ilgili 1907/2006 sayılı Avrupa Yönetmeliği (AB), tedarik zincirinde iletişim ile ilgili diğer gereklilikleri tanımlamaktadır. Bilgi gereklilikleri ayrıca Çok Yüksek Endişe Verici Maddeler ("Aday Listesi") içeren ürünler için de geçerlidir. 27 Haziran 2018 tarihinde Aday Listesine kurşun metali (CAS No. 7439-92-1) eklenmiştir.

Yukarıdaki bilgilere göre bu, ürünlerdeki belirli mekanik bileşenlerin kurşun metali içerebileceğini bildirmektir. Bu, yürürlükteki madde kısıtlama mevzuatına uygundur ve RoHS Yönergesindeki (2011/65/EU) yasal muafiyetlere dayanmaktadır. Kurşun metali normal kullanım sırasında üründen sızıntı yapmaz veya mutasyona uğramaz ve tüm üründeki kurşun metali konsantrasyonu geçerli eşik sınırının oldukça altındadır. Lütfen ürünün kullanım ömrü sonunda kurşunu bertarafı konusunda ilgili yerel gereklilikleri dikkate alın.

Bölgesel Gereklilikler

⚠ UYARI

Bu ürün Kaliforniya eyaleti tarafından kansere ve doğum kusurlarına veya diğer üreme rahatsızlıklarına neden olduğu bilinen kurşun dahil olmak üzere çeşitli kimyasallara maruz kalmanıza neden olabilir. Daha fazla bilgi için <https://www.p65warnings.ca.gov/> adresini ziyaret edin

<https://www.p65warnings.ca.gov/>

Güvenlik

ATMAYIN - KULLANICIYA VERİN

⚠ UYARI Bu ürünle birlikte verilen tüm güvenlik uyarılarını, talimatları, gösterimleri ve spesifikasyonları okuyun.

Aşağıda belirtilen tüm talimatlara uymamak, elektrik çarpmasına, yangına, maddi zarara ve/veya ciddi kişisel yaralanmaya yol açabilir.

Bütün uyarıları ve talimatları ileride kullanmak için saklayın.

⚠ UYARI Kurulum, kullanım ve bakıma ilişkin tüm yerel güvenlik kurallarına her zaman uyulmalıdır.

Kullanım Beyanı

- Sadece profesyonel kullanım içindir.
- Bu ürün ve parçalarının hiçbir şekilde tadil edilmemesi gerekir.
- Bu ürün hasar görmüşse kullanmayın.

- Ürün verileri veya tehlike uyarı işaretleri okunamaz hale gelirse veya sökülürse, zaman kaybetmeden yenileyin.
- Ürün endüstriyel bir ortamda sadece nitelikli personel tarafından kurulmalı, çalıştırılmalı ve servisi yapılmalıdır.

Kullanım Amacı

Bu motor sabit veya hareketli bir makineye yerleştirilmek üzere geliştirilmiştir. Sadece sağa dönecek şekilde, sadece sola dönecek şekilde veya ters yönde kullanılabilir ve uygun şekilde sadece flanş veya dişli burun ile monte edilmelidir. Diğer her türlü kullanımı yasaktır.

Motorların, patlama potansiyeli taşıyan ortamın ateşlenmesine kaynaklık etme riski oldukça düşüktür. Motorun yerleştirileceği tüm makineye ilişkin risklerin değerlendirilmesinden kullanıcı sorumludur.

Ürüne Özel Talimatlar

Uyarı

⚠ UYARI Polimer tehlikesi

Bu üründe bulunan kanatlar PTFE (sentetik bir floropolimer) içerir. Aşınmaya bağlı olarak, PTFE partikülleri ürün içinde bulunabilir. Isınan PTFE, özellikle kirlenmiş sigara içilirken gribe benzer belirtilere sahip polimer buharı ateşine neden olabilecek dumanlar üretebilir.

Vanalara ve diğer parçalara dokunurken PTFE'ye ilişkin Sağlık ve Güvenlik önerilerine uyulmalıdır:

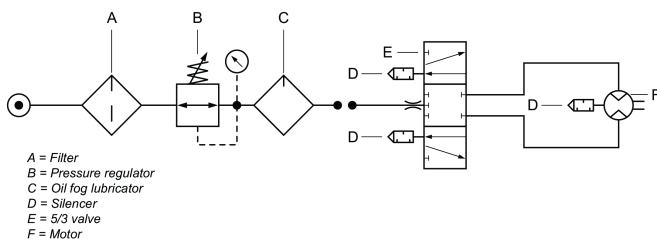
- ▶ Bu ürüne bakım yaparken sigara içmeyin.
- ▶ PTFE partikülleri açık alev, kıvılcım veya ateş ile temas etmemelidir.
- ▶ Motor bileşenleri temizleme sıvısı ile yıkanmalı ve hava hattı ile üflenerek temizlenmemelidir
- ▶ Başka bir işlem yapmadan önce ellerinizi yıkayın

IP Derecelendirmesi

Hava motorlarının IP Derecelendirmesi, basınç koşulları altında ayarlanır ve çıkış veya takılı susturucu hariçtir. Motor su altında ya da ağır su jetleri ile çalışacaksa, bir hortumla çıkışı sudan uzak tutmanız tavsiye edilir. Suya daldırıldığında, ilgili derinliğe göre motoru daima daha yüksek bir basınç altında tutun.

Montaj şeması

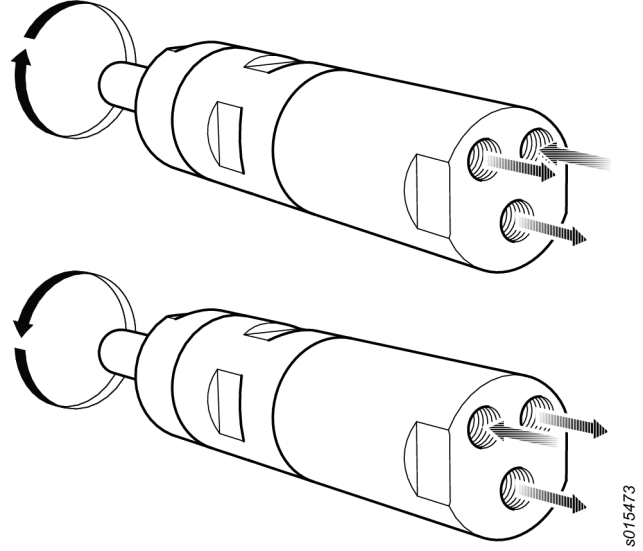
Geri Dönümlü motor



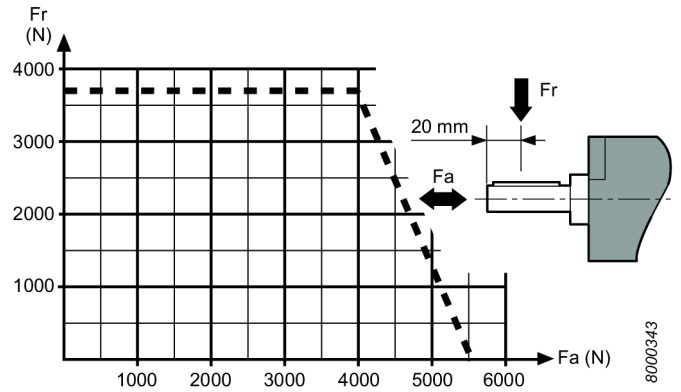
Hava beslemesinin bağlanması

Basınçlı hava beslemesi girişe bağlandığında, dönüş yönü aşağıdaki şekilde gösterildiği gibi olacaktır. Egzoz havası uzaklaştırılacaksa, egzoz çıkışına bir hortum bağlanmalıdır.

Basınçlı hava beslemesi istenilen dönüş yönü için ilgili girişe bağlanmalıdır, bkz. aşağıdaki şekil. Kullanımda olmayan giriş, ilave bir çıkış olarak işlev görür ve tıkanmaması gerekir.



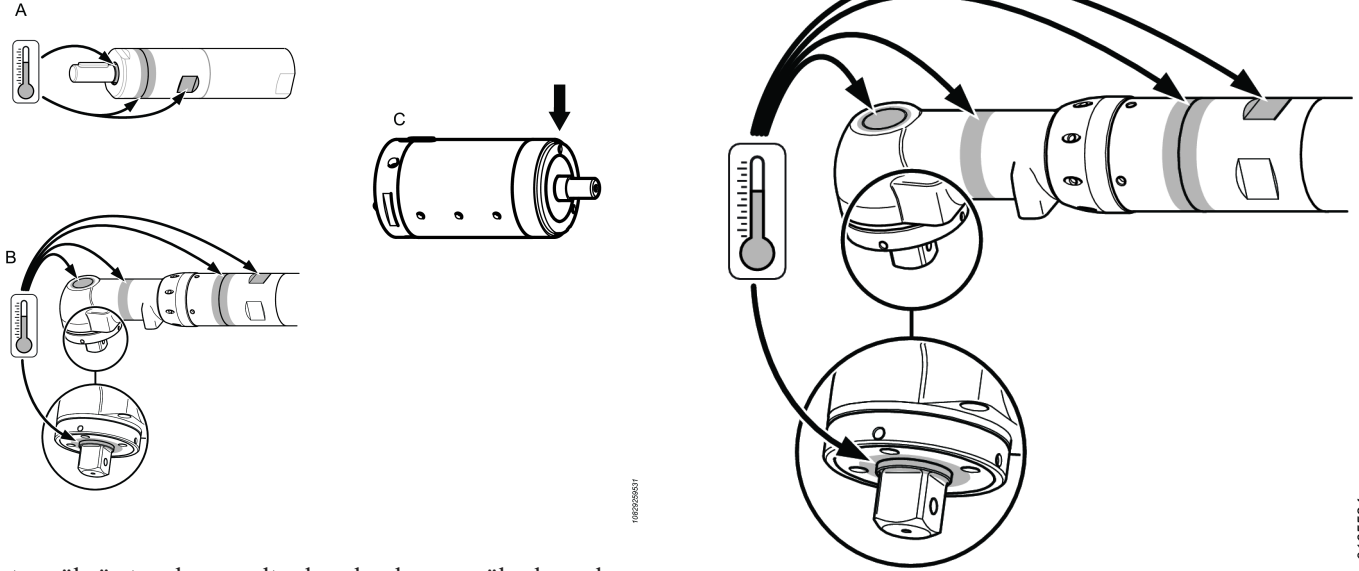
Mil yükü diyagramı



Sıcak Noktalar

Motor üzerindeki aşağıda belirtilen sıcak noktalar çalışma sırasında yüksek sıcaklıklara erişebilir. Resim, belirli modeller için sıcak noktaları göstermektedir:

- Çıkış milindeki sızdırmazlık halkası (A, B, C)
- Ön kısım ve dişli halka arasındaki bağlantı (A, B)
- Anahtar tutamağı (A, B)



Motor yüksüz tam basınç altında çalışırken en yüksek sıcaklıklar meydana gelir. Artan tork ile birlikte, hava motoru dönüş hızını ve sıcaklığı azaltır.

Uyarı

Bu motoru kullanmadan önce kullanım talimatlarını okuyup anlayın.

Bu motor, bağlantı parçaları ve aksesuarları sadece tasarlandığı amaca yönelik olarak kullanılmalıdır.

Ürünle ilgili sorumluluk ve güvenlik nedenlerinden dolayı, ürünle ilgili sorumluluk üzerinde etkisi bulunabilecek motor veya aksesuarlarında yapılabilecek herhangi bir değişikliğe üreticinin teknik yetkilisi tarafından karar verilmelidir.

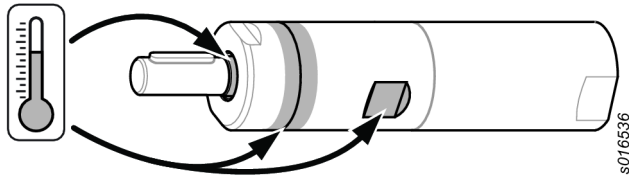
Personelin yaralanmasını ve uzun vadeli riskleri önlemek için:

- Motor ATEX sertifikalı ise, motor çıkış portlarına filtre/susturucular takılmalıdır.
Gürültüye maruz kalmayı azaltmak için başka uygulamalarda da susturucu önerilir.
- Herhangi bir ayarlama işlemi yapmadan önce motorun hava hattı bağlantısını kesin.
- **Ellerinize, saçınıza ve elbiselerinize dikkat edin; döner parçalardan daima uzak durun.**

Bakım

- Bu ATEX ürününün bakımı ve onarımları özel olarak yetkili personel tarafından yapılmalıdır ve bunun sonrasında sıcak noktaların (şekilde görüldüğü gibi) yüksüz testi ve sıcaklık ölçümleri yapılmalı ve bir rapora kaydedilmelidir.

5 dakikalık yüksüz test sonrasında yüzey sıcaklığı 45°C + ortam sıcaklığı toplamını aşmamalıdır (burada ortam sıcaklığı 0 – 40°C arasında değişebilir).



Genel Güvenlik Talimatları

Hava kaynağı ve bağlantı tehlikeleri

- Basınçlı hava ciddi yaralanmaya neden olabilir.
- Kullanılmadığı zamanlarda, aksesuarlarını değiştirmeden önce ya da onarım yaparken daima hava beslemesini kapatın, hortumun havasını boşaltın ve aletin hava beslemesi bağlantısını kesin.
- Hiçbir zaman havayı kendinize ya da başka birine yöneltmeyin.
- Kontrolsüz fırlayan hortumlar ciddi yaralanmalara neden olabilir. Her zaman hasarlı ya da gevşek hortum ve bağlantı parçası olup olmadığını kontrol edin.
- Maksimum 6,3 bar / 90 psi veya alet tanıtım plakasında belirtilmiş olan hava basıncını aşmayın.

Takılma tehlikeleri

- Döner tahrikten uzak durun. Giysiler, eldivenler, takılar, kolyeler ve saçlar, aletten ve aksesuarlardan uzak tutulmazsa, boğulmaya, soyulmalara ve / veya yırtılmalara neden olabilir.

Fırlama tehlikeleri

- Çalıştırma göreviniz varsa veya alete yakın çalışıyorsanız, aletin bakım veya onarımını yapıyor veya alette aksesuar değiştiriyorsanız, daima darbeye dayanıklı göz ve yüz koruması takın.
- Alandaki diğer herkesin darbeye dayanıklı göz ve yüz maskesi kullandığından emin olun. Küçük parçacıklar bile gözleri yaralayabilir ve körlüğe neden olabilir.
- İş parçası güvenli bir şekilde sabitlendiğinden emin olun.

Çalıştırma tehlikeleri

- Aleti sıkı bir şekilde kelepçeyin.
- İş almada önce aletin tamamen durduğundan emin olun.
- Motorun/tork motorunun yerleştirildiği makineye daima başlatma, durdurma ve acil durdurma kumandalarını takın.

Gürültü tehlikeleri

- Yüksek ses düzeyleri kalıcı işitme kaybına veya kulak çınlaması gibi sorunlara neden olabilir. İşvereninizin tavsiye ettiği veya iş sağlığı ve güvenliği yönetmeliklerinde belirtilen işitme koruması kullanın.
- Gürültü seviyelerinde gereksiz artışları önlemek için, aletin kullanımını ve bakımını, ve aksesuarların ve sarf malzemelerinin seçimini, bakımını ve değişimini bu kullanım kılavuzuna göre yapın.

İş yeri tehlikeleri

- Kayma/Takılma/Düşme önemli bir yaralanma veya ölüm sebebidir. Yürüme ya da çalışma alanında kalan fazla hortuma karşı dikkatli olun.
- Çalışma sürecinde hastalığa neden olabilecek (örneğin, kanser, doğum kusurları, astım ve/veya dermatit) tozları veya dumanları solumaktan ya da döküntü/artık ile temas-tan kaçının. Havaıyla taşınan partiküller oluşturan malzemeler ile çalışırken toz çekme işlemi yapın ve solunum koruyucu donanım kullanın.
- Elektrikli zımparalama, doğrama, bileme, delme ve diğer yapı faaliyetlerinin neden olduğu bazı tozlar, California eyaleti tarafından kansere ve doğum kusurlarına veya diğer üreme rahatsızlıklarına neden olduğu bilinen kimyasallar içermektedir. Bu kimyasallardan bazıları şunlardır:
 - Kurşun bazlı boyalardaki kurşun
 - Kristalimsi silis tuğla ile çimento ve diğer duvarcılık ürünleri
 - Arsenik ile kimyasal olarak işlenmiş kauçuktaki krom

Bu maruz kalmalar karşısındaki riskiniz bu tür işleri ne kadar sıklıkla yaptığınıza bağlı olarak değişiklik gösterir. Bu kimyasallara maruz kalma derecesini azaltmak için: iyi havalandırılmış alanlarda çalışın ve özellikle mikroskopik partikülleri filtrelemek üzere tasarlanmış toz maskeleri gibi onaylanmış güvenlik ekipmanı kullanarak çalışın.
- Bilmediğiniz ortamlarda dikkatli olun. İş faaliyetinizin oluşturduğu potansiyel tehlikelere dikkat edin. Bu alet, elektrik gücü kaynaklarına temasa karşı izolasyonlu değildir.

İşaretler ve Etiketler

Ürün, kişisel emniyete ve ürün bakımına ilişkin önemli bilgiler içeren işaretlerle ve etiketlerle donatılmıştır. İşaretler ve etiketler her zaman kolaylıkla okunabilmelidir. Yeni işaretler ve etiketler yedek parça listesi kullanılarak sipariş edilebilir.



s011050

ATEX Sertifikasyon Bilgisi**ATEX Kodu Tanımı**

ATEX kodu:



Ex II 2 G Ex h IIC T6 Gb
Ex II 2 D Ex h IIIC T85°C Db
°C ≤ Ta ≤ 40 °C

Açıklama	Değer	Tanım
Ekipman grubu	II	Yüzey Endüstrisi
Ekipman kategorisi	2	Yüksek seviyeli koruma
Grup II		<ul style="list-style-type: none"> • bölge 1 (gaz) • bölge 2 (gaz) • bölge 21 (toz) • bölge 22 (toz)
Atmosfer	G	Gaz, Buhar veya Sis içeren atmosfer
	D	Toz içeren atmosfer
Güvenlik tasarımı	h	Mekanik ürün
Gaz grubu	IIC	Hidrojen/ Asetilen
	IIB	Etilen
Toz grubu	IIIC	Yüzey yanıcı toz
Gaz atmosferindeki maks. yüzey sıcaklığı		T1 = 450 °C T2 = 300°C T3 = 200°C T4 = 135°C T5 = 100°C T6 = 85°C
Toz atmosferindeki maks. yüzey sıcaklığı		Örnek sıcaklıklar: T85°C T110°C T120°C T125°C T240°C
Özel kısıtlama,	X	örneğin ortam sıcaklığı aralığı.

Sıcaklıklar

- Sertifikasyonun geçerli olduğu azami ortam sıcaklığı 40'dir.
- 40 ayrıca basınçlı havanın ürüne girişteki azami izin verilen sıcaklığıdır.
- Ürün bir ekipman içine monte edilecekse, tüm ekipmanın 2014/34/EU yönergelerine uygun olması gerekir.
- Basınçlı havanın kalite gereksinimlerimizi karşıladığından emin olun (ISO/DIS 8573-1:2010'a göre kalite sınıfları 2.4.3. ve 3.4.4 ile 3.5.4).

- Azami 6,3 bar veya ürün tanıtım plakasında belirtilmiş olan basıncı aşmayın. Çalışma basıncının aşılması daha yüksek dönüş hızı nedeniyle yüzey sıcaklığını yükseltebilir ve ürün bir ateşleme kaynağı haline gelebilir.

Ex Sınıflandırması

Ürün, bileşenlerin farklı Ex sınıflandırmasına sahip olduğu bir tertibatın parçasıysa, en düşük güvenlik seviyesine sahip bileşen tüm tertibatın Ex sınıflandırmasını tanımlar.

Patlama Önleme Yönergeleri

Temizlik

- Yatak ve yüzey sıcaklığının artışına engel olmak için ürünün tozdan ve kirden arındırılmış olduğundan emin olun.
- Bir susturucu kullanıyorsanız: Sürtünmeye ilişkin partiküllerin çevredeki ortama girişini önlemek için filtreleme etkili bir susturucunun hava çıkışına takıldığından emin olun.

Kullanım

- Ürünün hortumlar veya hava basıncı bağlantıları gibi aksesuarlar yoluyla atölyenin eş potansiyel kuşaklama sistemine topraklandığından emin olun.
- Ürünün ve anahtarlar ve hava bağlantıları tüm muhtemel aksesuarların, patlama potansiyeli taşıyan alanlarda kullanılan ekipmana yönelik ulusal güvenlik düzenlemelerine uygun olmasını sağlamak kullanıcının sorumluluğundadır.

Faydalı Bilgiler

Web sitesi

Ürünlerimiz, Aksesuarlarımız, Yedek Parçalarımız ve Yayınlanmış Makalelerimizle ilgili bilgileri Atlas Copco web sitesinde bulabilirsiniz.

Lütfen ziyaret edin: www.atlascopco.com.

ServAid

ServAid, sürekli güncellenen ve aşağıdakiler gibi Teknik Bilgileri içeren bir portaldır:

- - Düzenleyici ve Güvenlik Bilgileri
- Teknik Veriler
- Montaj, Kullanım ve Servis Talimatları
- Yedek Parça Listeleri
- Aksesuarlar
- Boyutsal Çizimler

Lütfen ziyaret edin: <https://servaid.atlascopco.com>.

Daha fazla Teknik Bilgi için lütfen yerel Atlas Copco temsilcinizle iletişim kurun.

Технически данни

Технически данни

Номер на поръчка	8411046413
Модел	LZB46-L-AR0004-11
Разход на въздух при максимална мощност	14 l/s (литър/секунда)
Разход на въздух при максимална мощност	-29.7 cfm (куб. фут/минута)
Спирачен момент	Nm (нютон-метър)
Спирачен момент	ft lb (фут паунд)
Вградена спирачка	No
Материал на външните части	Hardened steel/Aluminium
Свободна скорост	35 r/min (об./мин.)
Максимална мощност	0.59 kW
Максимална мощност	0.79 hp (к. сили)
Минимален пусков момент	388 Nm (нютон-метър)
Минимален пусков момент	286 ft lb (фут паунд)
Съотношение	
Предавателно съотношение	
Посока на въртене	Reversible
Код на товарене на вала	h
Вид вал	Keyed
Скорост при максимална мощност	20 r/min (об./мин.)
Пусков момент	574 Nm (нютон-метър)
Пусков момент	423 ft lb (фут паунд)
Въртящ момент при максимална мощност	287 Nm (нютон-метър)
Въртящ момент при максимална мощност	212 ft lb (фут паунд)
Вид широка част	Lubrication free
Тегло	4.9 kg
Тегло	10.8 lb (фут)
Входящ маркуч	10 mm
Входящ маркуч	0.4 in (инч)
Степен на защита срещу проникване	IP66
Изходящ маркуч	16 mm
Изходящ маркуч	0.6 in (инч)

Международна класификация на степента на защита

Международната класификация на степента на защита на пневматичните двигатели се отнася до механичния кожух съгласно стандарт IEC 60529. Международната класификация на степента на защита не покрива устойчивостта на корозия или каквито и да било други течности освен чиста прясна вода.

Декларации

ЕС ДЕКЛАРАЦИЯ ЗА ВГРАЖДАНЕ

Ние, **Atlas Copco Industrial Technique AB**, SE-105 23 STOCKHOLM SWEDEN, декларираме на своя лична отговорност, че този продукт (с наименование, вид и сериен номер, вижте заглавната страница) отговаря на следните съществени изисквания на Директива 2006/42/ЕО относно машините:

2006/42/ЕС (Annex I, clauses 1.1, 1.2 (excluding 1.2.4.3), 1.3, 1.4, 1.5, 1.6, 1.7)

и че тази частично окомплектована машина е в съответствие с изискванията на следната друга директива(и) на ЕС:
2014/34/EU (ATEX)

Тази частично окомплектована машина не трябва да се въвежда в експлоатация, преди крайната машина, към която трябва да се включи, да бъде декларирана в съответствие с клаузите на Директива 2006/42/ЕО относно машините, където е подходящо.

Приложени са следните (части/клаузи на) хармонизирани европейски стандарти:

EN 1127-1:2019, EN ISO 12100:2010, EN ISO 80079-36:2016, EN ISO 80079-37:2016

Съответната техническа документация беше окомплектована и комуникирана в съответствие с Директива 2006/42/ЕО относно машините, част Б на Приложение VII, и Директива 2014/34/ЕС (Директивата за АТЕХ), член 13 (1) б) ii в нотифицирания орган ExVeritas ApS (Европейски идентификационен номер 04 2804) в Дания. Властите могат да поискат техническото досие за Директива 2014/34/ЕС (Директивата за АТЕХ) на хартиен носител от:

<https://www.exveritas.com/2022/02/02/what-you-need-for-atex-and-ukca-explosive-atmosphere-certification-for-the-uk-and-eu-markets/>

Stockholm, 1 September 2023

Håkan Andersson, Managing Director

Подпис на издаващото лице



Информация във връзка с чл. 33 от REACH (Регламент относно регистрацията, оценката, разрешаването и ограничаването на химикали)

Европейски регламент (ЕС) №1907/2006 относно регистрацията, оценката, разрешаването и ограничаването на химикали (REACH) определя, освен други неща, изискванията, свързани с комуникациите във веригата на доставките. Изискването за информация се отнася също и за продукти, съдържащи т. нар. вещества,

пораждащи сериозно безпокойство (“списък на кандидати”). На 27 юни 2018 г. металът олово (CAS № 7439-92-1) беше добавен към списъка на кандидатите.

Във връзка с гореспоменатото бихме искали да ви информираме, че определени механични компоненти в продукта може да съдържат метала олово. Това е в съответствие с настоящето законодателство за ограничаване на веществата и въз основа на законовите изключения в Директивата за ограничаването за употребата на определени опасни вещества в електрическото и електронното оборудване (RoHS) (2011/65/EU). Металът олово няма да изтече от продукта или да се видоизмени в него по време на нормална употреба, и концентрацията на метала олово в цялостния продукт е значително под приложимата прагова стойност. Моля, съобразете се с местните изисквания за изхвърляне на олово при изтичане на годността на продукта.

Регионални изисквания

⚠ ПРЕДУПРЕЖДЕНИЕ

Този продукт може да ви изложи на контакт с химикали, включително олово, за което в щата Калифорния е известно, че причинява рак и вродени малформации или други вреди по отношение на възпроизводителната способност. За допълнителна информация посетете

<https://www.p65warnings.ca.gov/>

Безопасност

НЕ ИЗХВЪРЛЯЙТЕ – ПРЕДАЙТЕ НА ПОТРЕБИТЕЛЯ

⚠ ПРЕДУПРЕЖДЕНИЕ Прочетете всички предупреждения за безопасност, инструкции, илюстрации и спецификации, предоставени с този продукт.

Неспазването на всички инструкции посочени по-долу, може да доведе до токов удар, пожар, материални щети и/или сериозни наранявания.

Запазете всички предупреждения и инструкции за бъдеща справка.

⚠ ПРЕДУПРЕЖДЕНИЕ Трябва да се спазват всички местни законови разпоредби за безопасност относно инсталация, работа и поддръжка.

Декларация за употреба

- Само за професионална употреба.
- Този продукт и неговите принадлежности не могат да бъдат променяни по какъвто и да е начин.
- Не използвайте този продукт, ако е повреден.
- Ако означенията на данните на продукта или предупрежденията за опасност върху него престанат да бъдат четливи или се откачат, незабавно ги подменете.
- Продуктът трябва да бъде инсталиран, използван и обслужван единствено квалифицирани лица в индустриална среда.

Предназначение

Този двигател е разработен, за да бъде вграден във фиксирана или подвижна машина. Той е или за въртене само с дясната ръка, само с лявата ръка или реверсивно въртене и трябва да бъде монтиран само за фланеца или резбования отвор, както е удачно. Не се разрешава използването му за други цели.

Рискът двигателите да бъдат източник на запалване на потенциално възпламеним въздух е много малък. Потребителят е отговорен за оценяването на рисковете, свързани с цялата машина, в която се вгражда моторът.

Инструкции за този продукт

Внимание

⚠ ПРЕДУПРЕЖДЕНИЕ Опасност от полимери

Перките на този продукт съдържат РТФЕ (синтетичен флуорополимер). Поради износване вътре в продукта може да има РТФЕ частици. При нагряване РТФЕ може да предизвика образуването на изпарения, които да причинят треска от полимерни изпарения с грипоподобни симптоми, особено при пушене на замърсен тютюн.

При боравене с перките и други компоненти трябва да се спазват препоръките за безопасност и опазване на здравето по отношение на РТФЕ:

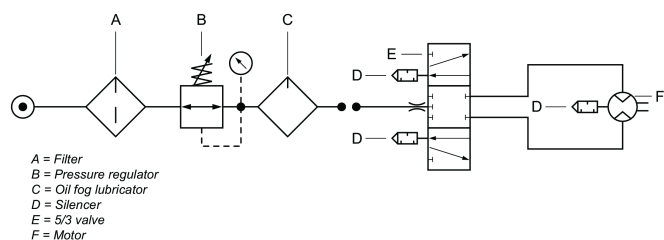
- ▶ Забранено е пушенето, докато се извършва обслужване на продукта
- ▶ РТФЕ частиците не трябва да влизат в контакт с открит огън, пламък или източник на топлина
- ▶ Компонентите на мотора трябва да се третират с почистващ флуид, а не чрез продухване с въздушна линия
- ▶ Измивайте ръцете си преди извършване на други дейности

Международна класификация на степента на защита

Международната класификация на степента на защита на пневматичните двигатели се определя в състояние под налягане и изключва изхода или прикрепения шумозаглушител. Ако е необходимо двигателят да работи потопен или в досег със силни водни струи, се препоръчва изходът да бъде отведен извън водата чрез маркуч. При работа с потопен двигател винаги поддържайте налягането на двигателя по-голямо от съответната дълбочина.

Монтажна схема

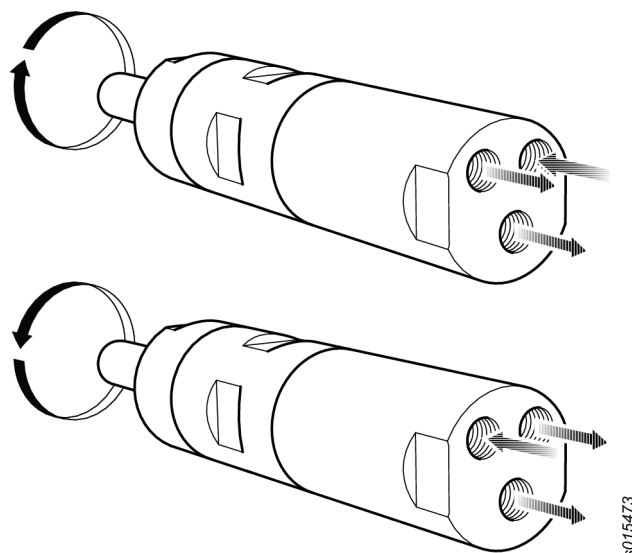
Реверсивен двигател



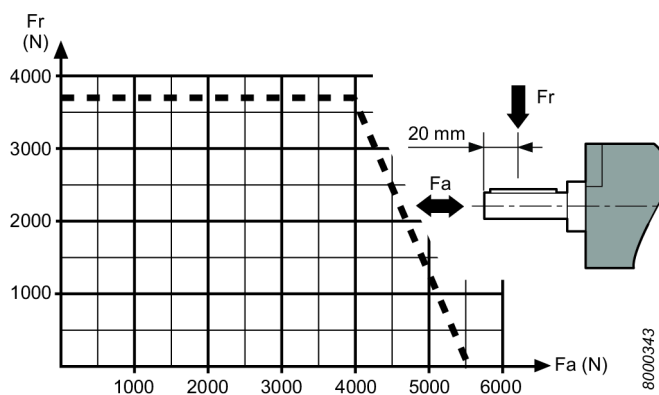
Свързване на въздухоподаването

Когато подаването на компресиран въздух е включено към входа, посоката на въртене ще бъде като посочената на фигурата по-долу. Ако отходният въздух ще се отведе, към изхода за газове трябва да се свърже маркуч.

Подаването на компресиран въздух трябва да бъде свързано към съответния вход за желаната посока на въртене, вж. фигурата по-долу. Входът, който не се използва, действа като допълнителен изход и не трябва да се включва.



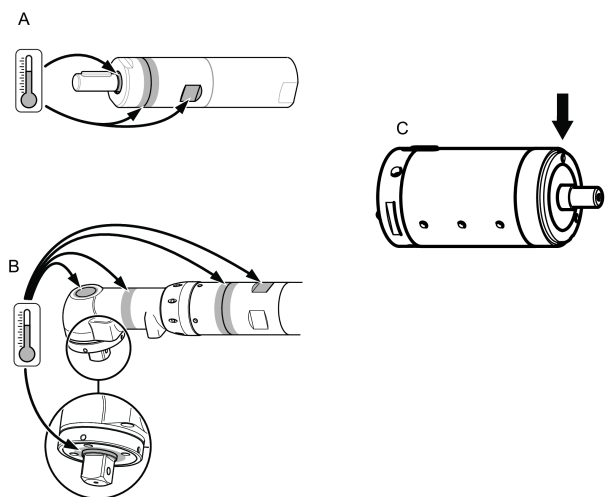
Диаграма на зареждане на крана



Горещи места

Следните точки на прегряване на двигателя могат да достигнат високи температури по време на работа. Изображението показва точки на прегряване за специфичните модели:

- Уплътнителен пръстен на изходящия вал (А, Б, В)
- Сглобка между предната част и зъбния венец (А, Б)
- Захват на ключа (А, Б)



Най-високите температури се появяват, когато двигателят работи на пълни обороти без натоварване. С увеличаване на въртящия се момент пневматичният двигател намалява скоростта на въртене и температурата.

Внимание

Преди да използвате този двигател, се запознайте с инструкциите за работа.

Този двигател, неговите приложения и принадлежности трябва да се използват само за целта, за която са предназначени.

Във връзка с функционирането на уреда и от съображения за безопасност всяка модификация на двигателя или неговите принадлежности, която може да се отрази на функционирането на уреда, трябва да се съгласува с техническите експерти на производителя.

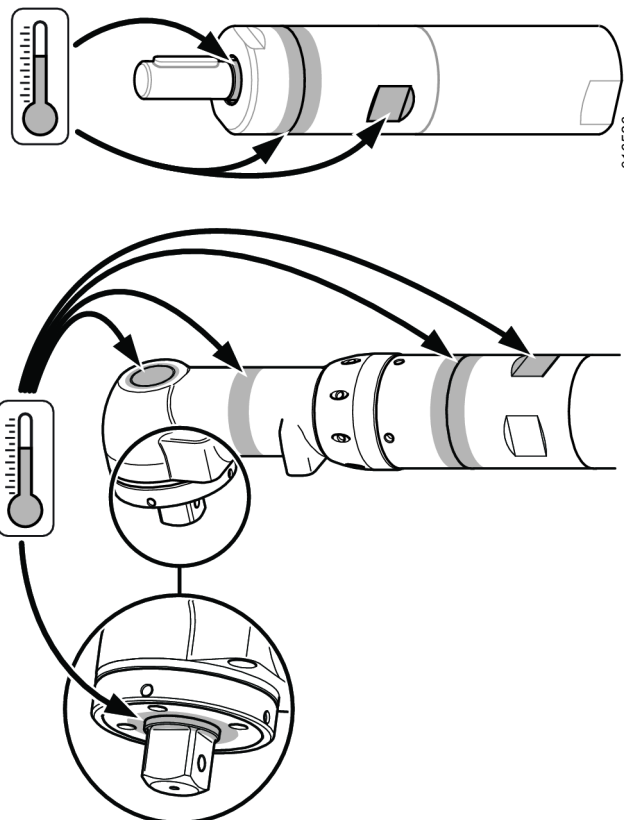
За предотвратяване на наранявания или дългосрочни рискове:

- Ако двигателят е сертифициран по АТЕХ, филтъра/заглушителите трябва да се монтират към изходните портове.
За другите приложения също се препоръчват глушители, за да се намали излагането на шум.
- Изключете двигателя от въздушната линия, преди да предприемете действия по регулиране.
- **Пазете ръцете, косата и дрехите си - винаги стойте на разстояние от въртящите се части.**

Поддръжка

- Поддръжката и поправката на този АТЕХ продукт трябва да се осъществи само от оторизиран персонал, след като се проведе изпитване на празен ход и се измери температурата на точките на прегряване (както се вижда на фигурата), и се запише в протокола.

След провеждане на 5-минутно изпитване на празен ход, температурата на повърхността не трябва да надвишава сумата от 45°C + температурата на околната среда, където последната може да варира между 0 – 40°C.



Общи инструкции за безопасност

Рискове при снабдяване с въздух и свързване

- Не насочвайте въздуха към себе си или към друг човек.
- Винаги изключвайте въздухоподаването, освобождавайте маркуча от въздушното налягане и прекъсвайте снабдяването с въздух на инструмента, когато не се използва, преди подмяна на принадлежности или когато се поправя.
- Никога не насочвайте въздушната струя към Вас или към някой друг.
- Ударът от свободен маркуч може да причини тежки наранявания. Винаги проверявайте маркучите и свързващите елементи за повреда или разхлабване.
- Не превишавайте въздушното налягане от 6,3 бара/90 psig или стойността, която е посочена на фирмената табелка на инструмента.

Опасности от заплитане

- Стойте далеч от въртящия се механизъм. Ако не държите свободното облекло, ръкавиците, бижутата и косата далеч от инструмента и аксесоарите, това може да доведе до удущаване, скалпиране и/или разкъсвания.

Опасности от хвърчащи частици

- Винаги носете устойчиви на удар защитни очила и маска за лице, когато боравите с инструмента или сте в близост до него, при поправка или поддръжка на инструмента или когато сменяте аксесоарите му.

- Уверете се, че околните носят устойчиви на удар защитни очила и маска за лице. Дори малките частици могат да наранят очите и да причинят ослепяване.
- Уверете се, че обработваният детайл е здраво захванат.

Опасности при работа

- Захванете здраво уреда със скоба.
- Уверете се, че инструментът е напълно спрял преди да го отстраните.
- Винаги поставяйте контрола за стартиране, спирачка и аварийна спирачка на машината, в която е вграден двигателят/двигателят с постоянен въртящ момент.

Опасности от шум

- Високите нива на шум може да доведат до трайна загуба на слух и други проблеми като шум в ушите. Използвайте защитни средства за слуха съгласно препоръките на вашия работодател или разпоредбите, свързани със здравето и безопасността на работното място.
- За да предотвратите ненужни повишения на нивата на шума, използвайте и поддържайте инструмента, избирайте, поддържайте и подменяйте принадлежностите и консумативите съгласно това ръководство за употреба.

Опасности на работното място

- Подхлъзване/препъване/падане са основните причини за сериозни наранявания или смърт. Внимавайте за дълъг маркуч, оставен на пешеходната зона или в работната зона.
- Избягвайте вдишването на прах или изпарения или боравенето с отломки от работния процес, които може да доведат до увреждане на здравето (напр. рак, родилни дефекти, астма и/или дерматит). Избягвайте вдишването на прах и използвайте маска, предпазваща дишането, когато работите с материали, които отделят частици, които се носят по въздуха.
- Някои прахове създадени в резултат на полиране, рязане, точене, пробиване с машина и други строителни дейности съдържат химикали, които са познати в щата Калифорния като причинители на рак и дефекти по рождение и могат да нанесат и други репродуктивни вреди. Някои примери за такива химикали са:
 - Олово и бои на оловна основа
 - Тухли и цимент от кристален силициев диоксид и други зидарски продукти
 - Арсен и хром от химически обработена гума

Рисковете за Вас от излагането на подобни въздействия зависят от това, колко често извършвате работа от този вид. За да намалите излагането на тези химикали: работете в добре проветрявано помещение и с одобрена защитна екипировка като защитни маски против прах, които са специално изработени да филтрират микроскопични частици.

- При работа в непозната обстановка подхождайте с внимание. Осъзнавайте евентуалните опасности, създадени от трудовата ви дейност. Този инструмент не е изолиран срещу контакт с източници на електрозахранване.

Знаци и стикери

Продуктът разполага със знаци и стикер, съдържащи важна информация за лична безопасност и поддръжка на продукта. Знаците и стикерите трябва винаги да бъдат лесни за четене. Могат да бъдат поръчани нови знаци и стикери чрез списъка на резервните части.



s011050

Информация за сертифициране по АТЕХ

Определение на АТЕХ кода

АТЕХ кодът е следният:



Ex II 2 G Ex h IIC T6 Gb
 Ex II 2 D Ex h III C T85°C Db
 °C ≤ Ta ≤ 40°C

Описание	Стойност	Определение
Група на оборудването	II	Обработка на повърхности
Категория на оборудването	2	Високо ниво на защита
Група II		<ul style="list-style-type: none"> • зона 1 (газ) • зона 2 (газ) • зона 21 (прах) • зона 22 (прах)
Атмосфера	G	Атмосфера, съдържаща газ, пари или мъгла
	D	Атмосфера, съдържаща прах
Безопасен дизайн	h	Механичен продукт
Газова група	II C	Водород/Ацетилен
	II B	Етилен
Група „Прах“	III C	Повърхностен запалим прах
Максимална температура на повърхността в газова атмосфера		T1 = 450°C T2 = 300°C T3 = 200°C T4 = 135°C T5 = 100°C T6 = 85°C

Описание	Стойност	Определение
Максимална температура на повърхността в прахова атмосфера		Примерни температури: T85°C T110°C T120°C T125°C T240°C
Специално ограничение, например температурен обхват на околната среда.	X	

Температури

- Максималната температура на околната среда, при която е валидно сертифицирането, е 40°C.
- 40°C също е максимално разрешената температура на компресирания въздух, когато той навлиза в продукта.
- Ако продуктът е инсталиран в оборудване, цялото оборудване трябва да отговаря на изискванията на 2014/34/ЕС.
- Уверете се, че компресираният въздух отговаря на нашите изисквания за качество (класове на качество 2.4.3. и 3.4.4 отговарят съответно на 3.5.4 съгласно ISO/DIS 8573-1).
- Не надвишавайте максималното налягане от 6.3 бара, или както е отбелязано на фирмената табела на продукта. Надвишаването на работното налягане може да увеличи температурата на повърхността поради по-високата скорост на въртене и продуктът може да се възпламени.

Предишна класификация

Ако продуктът е част от комплект, при който компонентите имат различни Предишни класификации, компонентът с най-ниското ниво на безопасност определя Предишната класификация на целия комплект.

Съвети за предотвратяване на експлозии

Почистване

- Уверете се, че продуктът е поддържан чист от прах и мръсотия, за да се предотврати увеличаването на опората и температурата на повърхността.
- Ако използвате заглушител: Уверете се, че заглушителя е с филтър на изходната тръба, за да предотвратите влизането на загоряли от триене частици в заобикалящата атмосфера.

Употреба

- Уверете се, че продукта е заземен към електрическата мрежа на работното място, например чрез аксесоари като маркучи и връзки за въздушно налягане.
- Ако отговорността на потребителя е да осигури продукт с всички възможни аксесоари за него като гаечни ключове и въздушни връзки, придържайте се към изискванията за сигурност за оборудване, използвано в потенциално експлозивни области.

Полезна информация

Уебсайт

Информация относно нашите продукти, аксесоари, резервни части и публикации можете да намерите на уебстраницата на Atlas Copco.

Моля, посетете: www.atlascopco.com.

ServAid

ServAid е портал, който непрекъснато се обновява и съдържа техническа информация, като например:

- Регулаторна информация и информация за безопасност
- Технически данни
- Инструкции за монтаж, функциониране и обслужване
- Списъци с резервни части
- Принадлежности
- Оразмерени чертежи

Моля, посетете: <https://servaid.atlascopco.com>.

За допълнителна информация се свържете с Вашия местен представител на Atlas Copco.

Tehnički podaci

Tehnički podaci

Kataloški br.	8411046413
Model	LZB46-L-AR0004-11
Utrošak zraka na maks. učinku	14 l/s
Utrošak zraka na maks. učinku	29.7 cfm
Moment kočenja	Nm
Moment kočenja	ft lb
Ugrađena kočnica	No
Materijal vanjskih dijelova	Hardened steel/Aluminium
Slobodna brzina	35 r/min
Maks. učinak	0.59 kW
Maks. učinak	0.79 hp
Min. početni moment	388 Nm
Min. početni moment	286 ft lb
Omjer	
Omjer prijenosa	

Smjer okretanja	Reversible
Kod za opterećenje osovine	h
Vrsta osovine	Keyed
Brzina na maks. učinku	20 r/min
Moment zagušenja	574 Nm
Moment zagušenja	423 ft lb
Moment na maks. učinku	287 Nm
Moment na maks. učinku	212 ft lb
Vrsta lopatice	Lubrication free
Težina	4.9 kg
Težina	10.8 lb
Ulazno crijevo	10 mm
Ulazno crijevo	0.4 in
Stupanj zaštite elektroničke opreme	IP66
Izlazno crijevo	16 mm
Izlazno crijevo	0.6 in

Stupanj IP zaštite

Stupanj IP zaštite kod pneumatskih motora se odnosi na mehaničko kućište u skladu sa standardom IEC 60529. Stupanj IP zaštite ne pokriva otpornost na koroziju niti bilo koju drugu tečnost osim čiste sveže vode.

Izjave

EU IZJAVA O UGRADNJI

Mi, **Atlas Copco Industrial Technique AB**, SE-105 23 STOCKHOLM SWEDEN, izjavljujemo pod vlastitom odgovornošću da ovaj proizvod (naziv, tip i serijski broj, vidi naslovnu stranu) ispunjava sljedeće osnovne zahtjeve Direktive o strojevima 2006/42/EC:

2006/42/EC (Annex I, clauses 1.1, 1.2 (excluding 1.2.4.3), 1.3, 1.4, 1.5, 1.6, 1.7)

I da je ovaj nepotpuni stroj u skladu i s odredbama sljedeće(ih) EU direktive(a):
2014/34/EU (ATEX)

Ovaj nepotpuni stroj ne smije se staviti u uporabu dok se konačni stroj u koji ga treba ugraditi po potrebi ne uskladi s odredbama Direktive o strojevima 2006/42/EC.

Primijenjene su sljedeće Europske harmonizirane norme (odjeljci/stavke):

EN 1127-1:2019, EN ISO 12100:2010, EN ISO 80079-36:2016, EN ISO 80079-37:2016

Relevantna tehnička dokumentacija prikupljena je i izdana u skladu s Direktivom o strojevima 2006/42/EZ dio B Dodatka VII i Direktive ATEX 2014/34/EU čl. 13 (1) b) ii Nadležnog tijela ExVeritas ApS (identifikacijski broj u EU 2804) u Danskoj. Nadležna tijela mogu zahtijevati tehnički dokument za Direktivu ATEX 2014/34/EU u papirnatom obliku od:

<https://www.exveritas.com/2022/02/02/what-you-need-for-atex-and-ukca-explosive-atmosphere-certification-for-the-uk-and-eu-markets/>

Stockholm, 1 September 2023

Håkan Andersson, Managing Director

Potpis izdavatelja



Informacije u vezi sa članom 33 Uredbe REACH

Europska uredba (EU) br. 1907/2006 o Registraciji, evaluaciji, autorizaciji i ograničavanju kemikalija (REACH) između ostalog definira zahtjeve vezane za komunikaciju u lancu opskrbe. Zahtjev za informacijama također se odnosi na proizvode koji sadrže takozvane tvari koje izazivaju veliku zabrinutost ("Popis kandidata"). 27. lipnja 2018. olovo (CAS br. 7439-92-1) je dodato na Popis kandidata.

U skladu s prethodnom napomenom, obavještavamo vas da određene mehaničke komponente u proizvodu mogu sadržavati olovo. Ovo je u skladu s aktualnim propisima o ograničenju tvari i zasniva se na zakonskim izuzećima iz Direktive RoHS (2011/65/EU). Olovo iz proizvoda neće cureti ili mutirati tijekom normalne uporabe a koncentracija olova u gotovom proizvodu je znatno ispod primjenjive granične vrijednosti. Uzmite u obzir lokalne zahtjeve o zbrinjavanju olova na kraju životnog vijeka proizvoda.

Lokalni uvjeti

⚠️ POZOR

Ovaj proizvod može vas izložiti kemikalijama, uključujući olovo, a prema državi Kaliforniji, olovo može prouzročiti rak i urođene mane ili druge probleme spolnog sustava. Za više informacija idite na

<https://www.p65warnings.ca.gov/>

Sigurnost

NE BACAJTE – PREDAJTE KORISNIKU

⚠️ POZOR Pročitajte sva sigurnosna upozorenja, sve upute, ilustracije i specifikacije isporučene uz ovaj proizvod.

Ako se ne pridržavate svih dolje navedenih uputa, može doći do strujnog udara, požara, imovinske štete i/ili teške ozljede.

Spremite sva upozorenja i sve upute za buduću uporabu.

⚠️ POZOR Uvijek se morate pridržavati lokalnih zakonskih sigurnosnih propisa o ugradnji, radu i održavanju.

Izjava o uporabi

- Samo za profesionalnu uporabu.
- Ovaj proizvod i njegov pribor ne smiju se mijenjati ni na koji način.
- Ne upotrebljavajte ovaj proizvod ako je bio oštećen.

- Ako podaci o proizvodu ili znakovi upozorenja o opasnosti na proizvodu više nisu čitljivi ili otpadnu, odmah ih zamijenite.
- Rukovanje proizvodom, te njegovo ugrađivanje i servisiranje je dozvoljeno samo kvalificiranom osoblju u industrijskom okruženju.

Pravilna uporaba

Ovaj je motor projektiran za ugradnju u fiksirani ili pomični stroj. On je ili za okretanje samo desnom rukom, samo lijevom rukom ili za okretanje u suprotnom smjeru i treba ga po potrebi ugraditi omčom s prirubnicom ili navojem. Nije dopuštena druga uporaba.

Rizik da motori budu izvor zapaljenja u potencijalno eksplozivnoj atmosferi vrlo je malen. Korisnik je odgovoran za procjenu rizika povezanih s cijelim strojem u koji treba ugraditi motor.

Upute specifične za proizvod

Upozorenje

⚠ POZOR Opasnost od polimera

Lopaticice u ovom proizvodu sadržavaju PTFE (sintetički polimer fluora). Zbog trošenja čestice PTFE-a mogu biti u samom proizvodu. Zagrijani PTFE može stvarati dimove koji izazivaju groznicu od polimerskog dima sa simptomima poput gripe, a posebno kada se puši za gađeni duhan.

Morate se pridržavati preporuka za PTFE kada radite s lopaticama i drugim komponentama:

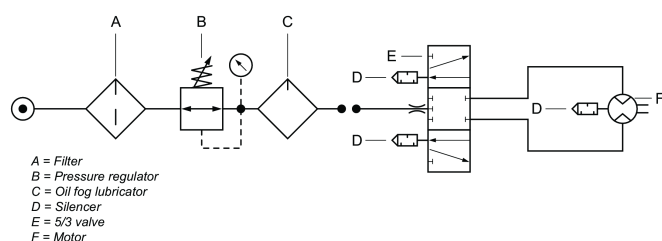
- ▶ Ne pušite kada servisirate ovaj proizvod.
- ▶ Čestice PTFE-a ne smiju doći u kontakt s otvorenim plamenom, žarom ili toplinom.
- ▶ Komponente motora moraju se prati tekućinom za čišćenje, a ne ispuhivati pneumatskim vodom.
- ▶ Operite ruke prije nego što se počnete baviti nekom drugom aktivnošću.

Stupanj zaštite elektroničke opreme

Stupanj zaštite elektroničke opreme kod pneumatskih motora je podešen u uvjetima pod tlakom i ne uključuje utičnicu niti ugrađeni prigušivač. Ako će motor raditi uronjen ili pod jakim vodenim mlazovima, preporučljivo je izvući priključak iz vode uz pomoć crijeva. Kada je motor uronjen, uvijek ga držite pod tlakom većim nego što je tlak na odgovarajućoj dubini.

Shema za ugradnju

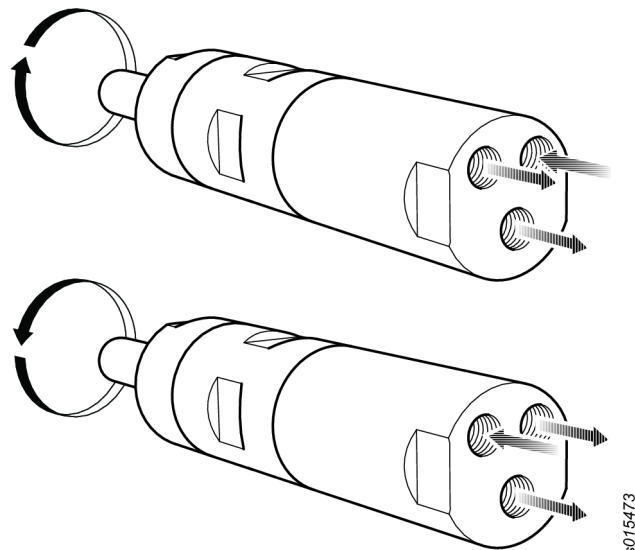
Reverzibilni motor



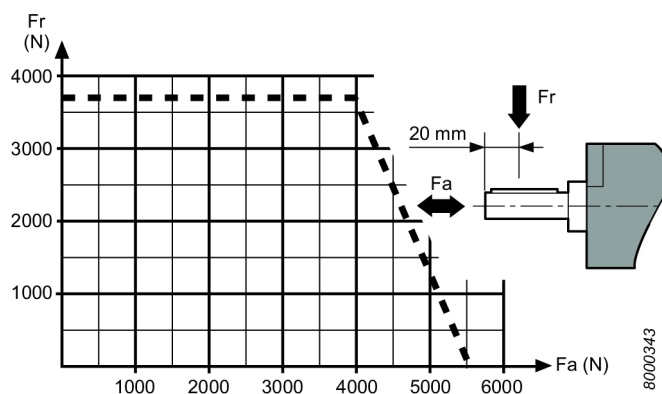
Spajanje opskrbe zrakom

Kada spojite opskrbu komprimiranim zrakom na ulaz, smjer okretanja prikazuje se na donjoj slici. Ako treba cijevima odvoditi ispušni zrak, trebate spojiti crijevo na ispušni izlaz.

Opskrba komprimiranim zrakom treba se spojiti na odgovarajući ulaz za željeni smjer okretanja, vidi sliku dolje. Ulaz koji se ne koristi djeluje kao dodatni izlaz i ne smije se začepiti.



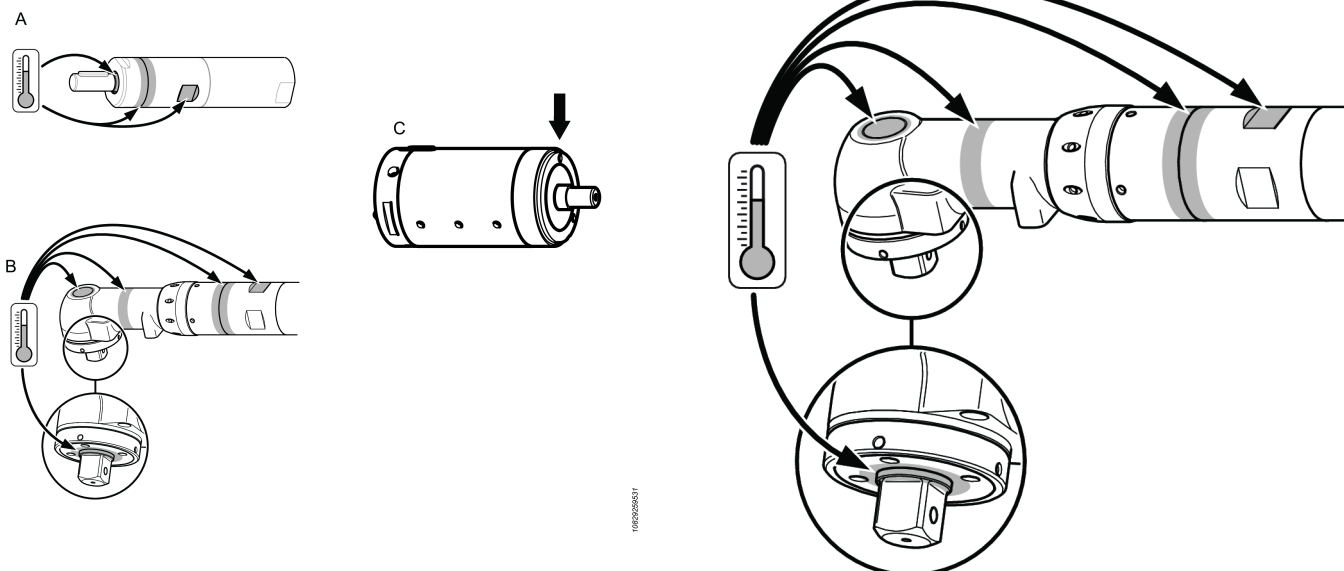
Dijagram opterećenja osovine



Vruće točke

Sljedeće vruće točke na motoru mogu doseći visoku temperaturu za vrijeme rada. Slika prikazuje vruće tačke za određene modele:

- Brtveni prsten na izlaznoj osovini (A, B, C)
- Spoj između prednjeg dijela i prstena prijenosnika (A, B)
- Prihvat ključa (A, B)



Najviša se temperatura pojavljuje kada motor radi pri punom tlaku bez opterećenja. S povećanim zakretnim momentom pneumatski motor smanjuje brzinu okretanja i temperaturu.

Upozorenje

Pazite da budete upoznati s radnim uputama prije uporabe ovog motora.

Ovaj motor, njegovi priključci i pribor smiju se upotrijebiti samo u svrhu u koju su projektirani.

Zbog odgovornosti za proizvod i sigurnosti tehnička služba proizvođača mora odobriti svaku izmjenu motora ili njegovih priključaka koja bi mogla utjecati na odgovornost.

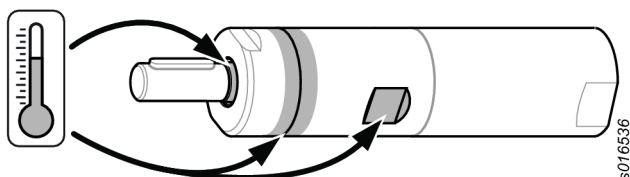
Da spriječite osobnu ozljedu i dugoročne rizike:

- Ako motor ima ATEX certifikat, moraju se ugraditi filtri/prigušivači na izlazne priključke motora.
Preporučujemo prigušivače i za druge primjene u svrhu smanjenja izlaganja buci.
- Prije svake radnje namještanja odspojite motor od voda za komprimirani zrak.
- **Pazite na ruke, kosu i odjeću - uvijek ih držite daleko od okretnih dijelova.**

Održavanje

- Održavanje i popravke ovog proizvoda ATEX smije obavljati isključivo ovlašteno osoblje, a nakon njih treba obaviti ispitivanje bez opterećenja i mjerenja temperature na vrućim točkama (prema prikazu na slici) te sastaviti izvještaj o tome.

Nakon pet minuta ispitivanja bez opterećenja temperatura površine ne smije prekoračiti zbroj 45°C + okolne temperature, pri čemu temperatura okruženja može varirati između $0 - 40^{\circ}\text{C}$.



Opće sigurnosne upute

Opskrba zrakom i opasnosti pri spajanju

- Zrak pod tlakom može prouzročiti teške ozljede.
- Uvijek zatvorite dovod zraka, ispustite tlak iz crijeva i odspojite alat s dovoda zraka kada se on ne upotrebljava, prije zamjene pribora ili pri popravcima.
- Nikada ne usmjeravajte zrak izravno prema sebi ili drugima.
- Nekontrolirano pomicanje crijeva može prouzročiti teške ozljede. Uvijek provjerite jesu li crijeva i priključci oštećeni ili labavi.
- Nemojte prekoračivati maksimalni tlak zraka od 6,3 bara/90 psi ili onaj koji je naveden na nazivnoj pločici alata.

Opasnosti od zahvaćanja pokretnim dijelovima

- Držite se daleko od okretnog pogona. Može doći do gušenja, čupanja kose i/ili porezotina ako ne držite labavu odjeću, rukavice, nakit, ogrlice i kosu podalje od alata i njegovih priključaka.

Opasnosti od projektila

- Uvijek nosite zaštitu za oči i lice otpornu na udarce kada se nalazite u blizini mjesta rada ili radite alatom, pri popravcima i održavanju alata ili kada mijenjate pribor na alatu.
- Uvjerite se da sve druge osobe u blizini nose štitnike za oči i lice otporne na udarce. Čak i sitni projektili mogu ozlijediti oči i uzrokovati sljepoću.
- Pazite da radni komad bude dobro pričvršćen.

Opasnosti pri radu

- Dobro pričvrstite alat.
- Pazite da se alat potpuno zaustavi prije uklanjanja radnog komada.
- Uvijek prilagodite upravljače za pokretanje, zaustavljanje i zaustavljanje u nuždi stroju u koji se ugrađuje motor/regulacijski motor.

Opasnosti od buke

- Visoka razina buke može izazvati trajno oštećenje sluha i druge probleme kao npr. tinitus. Upotrijebite zaštitu za uši prema preporukama poslodavca ili u skladu s propisima o sigurnosti na radu i zaštiti zdravlja.
- Da spriječite nepotrebno povećanje razine buke, upotrebljavajte i održavajte alat te odaberite, održavajte i mijenjajte pribor i potrošni materijal u skladu s ovim uputama za uporabu.

Opasnosti na radnom mjestu

- Klizanje, spoticanje i pad glavni su uzroci teški ozljeda ili smrti. Pazite na višak crijeva koje je ostavljeno na prolaznoj ili radnoj površini.
- Izbjegavajte udisanje prašine ili dima ili rukovanje ostacima iz radnog procesa koji mogu ugroziti zdravlje (na primjer, uzrokovati rak, urođene mane, astmu i/ili dermatitis). Upotrijebite opremu za uklanjanje prašine i nosite zaštitnu opremu za disanje kada radite s materijalima koji stvaraju čestice u zraku.
- Neke prašine koje nastaju brušenjem brusnim papirom, rezanjem, brušenjem, bušenjem ili drugim proizvodnim aktivnostima sadrže kemikalije koje su u državi Kaliforniji poznate kao izazivači raka i urođenih mana ili štetno djeluju na reproduktivnost. Neki primjeri takvih kemikalija su:
 - Olovo od boja na bazi olova
 - Cigle od silikatnih materijala, cement i drugi zidarski proizvodi
 - Arsen i krom iz kemijski tretirane gume

Vaš rizik od ovih izlaganja mijenja se ovisno o načinu na koji obavljate ovu vrstu posla. Da smanjite svoju izloženost ovim kemikalijama: Radite u dobro provjetranim područjima i radite s odobrenom sigurnosnom opremom kao što su maske za zaštitu od prašine koje su posebno projektirane da filtriraju mikroskopske čestice.

- U nepoznatim sredinama radite pažljivo. Vodite računa o mogućim opasnostima koje možete izazvati svojim radom. Ovaj alat nije izoliran u slučaju kontakta s izvorima električnog napajanja.

Znakovi i naljepnice

Proizvod ima znakove i naljepnice koje sadrže važne informacije o osobnoj sigurnosti i održavanju proizvoda. Znakovi i naljepnice uvijek moraju biti dobro čitljivi. Možete naručiti nove znakove i naljepnice u skladu s popisom zamjenskih dijelova.



s011050

Informacije o certifikaciji ATEX**Definicija koda ATEX****ATEX kod:**

Ex II 2 G Ex h IIC T6 Gb

Ex II 2 D Ex h IIIC T85°C Db

 $^{\circ}\text{C} \leq \text{Ta} \leq 40^{\circ}\text{C}$

Opis	Vrijednost	Definicija
Grupa opreme	II	Industrija obrade površine
Kategorija opreme	2	Visoka razina zaštite
Grupa II		<ul style="list-style-type: none"> • zona 1 (plin) • zona 2 (plin) • zona 21 (prašina) • zona 22 (prašina)
Atmosfera	G	Atmosfera koja sadrži plin, pare ili maglicu
	D	Atmosfera koja sadrži prašinu
Sigurnosno-tehničko projektiranje	h	Mehanički proizvod
Grupa plina	IIC IIB	Vodik/acetilen Etilen
Grupa prašine	IIIC	Površinska zapaljiva prašina
Maks. temperatura površine u plinovit atmosferi		T1 = 450 °C T2 = 300°C T3 = 200°C T4 = 135°C T5 = 100°C T6 = 85°C
Maks. temperatura površine u prašnjav atmosferi		Primjeri temperature: T85 °C T110 °C T120 °C T125 °C T240 °C
Posebno ograničenje, na primjer opseg okolne temperature.	X	

Temperature

- Maksimalna temperatura okruženja za koju vrijedi certifikacija iznosi 40°C.
- 40°C je također maksimalna dopuštena temperatura komprimiranog zraka kada on uđe u proizvod.
- Ako se proizvod ugrađuje u opremu, cijela oprema mora biti u skladu s Direktivom 2014/34/EU.
- Osigurajte da komprimirani zrak ispunjava zahtjeve za kvalitetu (razredi kvalitete 2.4.3. i 3.4.4 ili 3.5.4 u skladu s normom ISO/DIS 8573-1:2010).
- Ne prekoračujte maksimalni tlak od 6,3 bara ili onaj koji je naveden na nazivnoj pločici proizvoda. Prekoračenje radnog tlaka može povećati površinsku temperaturu zbog veće brzine okretanja i proizvod može postati izvor zapaljenja.

Klasifikacija prema razredu zaštite od eksplozije

Ako je proizvod dio sklopa u kojem komponente imaju različitu klasifikaciju prema razredu zaštite od eksplozije, komponenta s najnižom razinom sigurnosti definira klasifikaciju prema razredu zaštite od eksplozije kompletnog sklopa.

Smjernice za zaštitu od eksplozije

Čistoća

- Pobrinite se da se proizvod redovito čisti od prašine i prljavštine kako bi se spriječilo povećanje temperature ležaja i površine.
- Ako se koristi prigušivač: Pobrinite se da prigušivač s funkcijom filtra bude ugrađen na izlazu zraka kako bi se spriječilo da čestice zagrijane trenjem dospiju u okolnu atmosferu.

Uporaba

- Osigurajte da proizvod bude uzemljen na spojni sustav radionice za izjednačenje potencijala, na primjer putem pribora, kao što su crijeva i spojevi za komprimirani zrak.
- Korisnik je odgovoran osigurati da proizvod i sav mogući pribor, kao što su ključevi i zračni spojevi budu u skladu s nacionalnim sigurnosnim propisima za opremu koja se upotrebljava u potencijalno eksplozivnim područjima.

Korisne informacije

Web stranica

Informacije o proizvodima, priboru, zamjenskim dijelovima i izdanjima možete pronaći na našoj internetskoj stranici Atlas Copco.

Posjetite web mjesto: www.atlascopco.com.

ServAid

ServAid je portal koji se neprekidno ažurira i sadrži tehničke informacije kao što su:

- Regulatorne i sigurnosne informacije

- Tehnički podaci
- Upute za ugradnju, rad i servisiranje
- Popisi zamjenskih dijelova
- Pribor
- Crteži s dimenzijama

Posjetite web mjesto: <https://servaid.atlascopco.com>.

Za više informacija se obratite svojem lokalnom predstavniku tvrtke Atlas Copco.

Tehnilised andmed

Tehnilised andmed

Tellimiskood	8411046413
Mudel	LZB46-L-AR0004-11
Õhutarve max võimsusel	14 l/s
Õhutarve max võimsusel	29.7 cfm
Pidurduse väändemoment	Nm
Pidurduse väändemoment	ft lb
Sissehitatud pidur	No
Välisosade materjal	Hardened steel/Aluminium
Tühikäigukiirus	35 p/min
Suurim väljundvõimsus	0.59 kW
Suurim väljundvõimsus	0.79 hj
Min väändemoment käivitusel	388 Nm
Min väändemoment käivitusel	286 ft lb
Suhtarv	
Ülekandearv	
Pöörlemis-suund	Reversible
Võllikoormuse kood	h
Võlli tüüp	Keyed
Kiirus max väljundvõimsusel	20 p/min
Seiskumisjõud	574 Nm
Seiskumisjõud	423 ft lb
Väändemoment max väljundvõimsusel	287 Nm
Väändemoment max väljundvõimsusel	212 ft lb
Laba tüüp	Lubrication free
Kaal	4.9 kg
Kaal	10.8 lb
Sisselaskevoolik	10 mm
Sisselaskevoolik	0.4 in
IP-kaitseklass	IP66
Väljalaskevoolik	16 mm
Väljalaskevoolik	0.6 in

IP klass

Õhumootorite IP klass kirjeldab mehaanilist korpust vastavalt standardile IEC 60529. IP klass ei hõlma korrosioonikindlust ega muid vedelikke peale puhta magevee.

Deklaratsioon

EL-I ÜHENDAMISDEKLARATSIOON

Meie, Atlas Copco Industrial Technique AB, SE-105 23 STOCKHOLM SWEDEN, deklareerime oma täielikul vastutusel, et see toode (nime, tüübi ja seerianumbri leiate esilehelt) on vastavuses masinadirektiivi 2006/42/EÜ järgmiste oluliste nõuetega.

2006/42/EC (Annex I, clauses 1.1, 1.2 (excluding 1.2.4.3), 1.3, 1.4, 1.5, 1.6, 1.7)

Ja see osaliselt komplekteeritud masin vastab järgmis(t)e EL-i direktiivi(de) sätetele.
2014/34/EU (ATEX)

Seda osaliselt komplekteeritud masinat ei tohi võtta kasutusse enne kui lõppmasin, millega see ühendatakse, on deklareeritud olevat vastavuses masinadirektiivi 2006/42/EÜ sätetega, kus see on vajalik.

Rakenduvad järgmised Euroopa ühtlustatud standardid (nende osad/punktid).

EN 1127-1:2019, EN ISO 12100:2010, EN ISO 80079-36:2016, EN ISO 80079-37:2016

Asjakohaline tehniline dokumentatsioon on koostatud ning seda on kommenteeritud vastavalt masinadirektiivi 2006/42/EÜ lisa VII osale B ja ATEX direktiivi 2014/34/EL artiklile 13 (1) b) ii teavitatud asutuses ExVeritas ApS (ELi identifitseerimisnumber 2804) Taanis. Ametiasutused võivad kooskõlas ATEX direktiiviga 2014/34/EL nõuda paberkujul tehnilist dokumenti, mille peab saatma:

<https://www.exveritas.com/2022/02/02/what-you-need-for-atex-and-ukca-explosive-atmosphere-certification-for-the-uk-and-eu-markets/>

Stockholm, 1 September 2023

Håkan Andersson, Managing Director

Väljaandja allkiri



Teave seoses REACH-määruse artikliga 33

Euroopa (EÜ) määrus nr 1907/2006, mis käsitleb kemikaalide registreerimist, hindamist, autoriseerimist ja piiramist (REACH), määratleb muuhulgas tarneahela kommunikatsiooniga seotud nõuded. Teabenõue kehtib ka toodetele, mis sisaldavad nn väga ohtlikke aineid („kandidaatainete loetelu“). 27. juunil 2018 lisati kandidaatainete loetellu plii (CAS nr 7439-92-1).

Ülaltoodust tulenevalt anname teile teda, et toote teatud mehaanilised komponendid võivad sisaldada pliid. See on kooskõlas kehtivate ainete kasutamise piiramise õigusaktidega ja põhineb ohtlike ainete kasutamise piiramise direktiivi (RoHS-määrus, 2011/65/EÜ) õiguslikel eranditel. Plii ei leki ega muteeru tootest tavapärasel kasutamisel ning plii-sisaldus kogu tootes on kohaldatavast piirväärtusest tunduvalt väiksem. Toote kasutusea lõppedes arvestage plii kõrvaldamisel kohalikke eeskirju.

Piirkondlikud nõuded

⚠ HOIATUS

Selle toote kasutamisel võite kokku puutuda kemikaalide, sh pliiga, mis põhjustab California osariigile teadolevatel andmetel vähki ja sünnidefekte või muud reproduktiivset kahju. Lisateabe saamiseks külastage veebilehte

<https://www.p65warnings.ca.gov/>

Ohutus

ÄRGE VISAKE ÄRA – ANDKE KASUTAJALE

⚠ HOIATUS Lugege läbi kõik tootega kaasas olevad ohutushoiatused, juhised, joonised ja tehnilised andmed.

Järgnevalt loetletud hoiatuste mittejärgimine võib tuua kaasa elektrilöögi, süttimise, varalise kahju ja/või raske vigastuse.

Hoidke kõik hoiatused ja juhised hilisemaks uuesti läbivaatamiseks alles.

⚠ HOIATUS Kõikidest paigaldamist, kasutamist ja hooldamist käsitlevatest kohalikest kehtivatest ohutuseeskirjadest tuleb kogu aeg kinni pidada.

Lubatud kasutamine

- Ainult professionaalseks kasutamiseks.
- Käesolevat toodet ega selle lisaseadmeid ei tohi muuta.
- Ärge kasutage kahjustatud toodet.
- Kui tootel asuvad nimikiiruse või ohuhoiatuse märgid muutuvad loetamatuks või tulevad küljest, asendage need kohe uutega.
- Toodet tohib paigaldada, kasutada ja hooldada ainult kvalifitseeritud isik ja ainult tööstuslikus keskkonnas.

Otstarbekohane kasutamine

See mootor on loodud paigaldamiseks fikseeritud või liikuvasse masinasse. Mootor on kas ainult parempoolsele töösuunale, ainult vasakpoolsele töösuunale või mitmele töösuunale ning selle peab paigaldama vastavalt vajadusele ainult kas ääriku või keermestatud kinnitusega. Muud kasutusviisid on keelatud.

Oht, et mootorid võivad potentsiaalselt plahvatusohtlikus keskkonnas põhjustada süttimise, on äärmiselt väike. Kasutaja vastutab ohtude hindamise eest, millised on seotud masinaga, kuhu mootor tahetakse paigaldada.

Tootespetsiifilised juhised

Hoiatus

⚠ HOIATUS Polümeerioht

Antud toote labad sisaldavad PTFE-d (sünteetiline fluorpolümeer). Kulumise tulemusena võivad toote sees leida PTFE osakesed. Kuumutatud PTFE-st võib eralduda suitsu, mis võib põhjustada gripilaadsete sümptomitega polümeerisuitsu palavikku, seda eriti saastunud tubakatoodete suitsetamisel.

Labade ja muude komponentide käsitlemisel järgida PTFE kohta käivaid töetervishoiu- ja ohutusega seotud soovitusi:

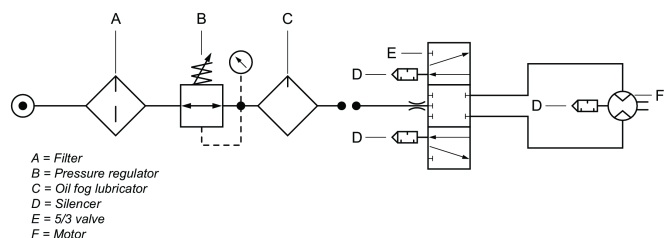
- ▶ ärge suitsetage antud toote hooldamise ajal;
- ▶ PTFE osakesed ei tohi puutuda kokku lahtise leegi, hõõgumise või kuumusega;
- ▶ mootoridetailid tuleb vedelikuga puhtaks pesta mitte õhuvoolikuga puhtaks puhuda;
- ▶ Peske käed enne järgmise tegevuse juurde asumist puhtaks

IP klass

Õhumootorite IP klass määratakse rõhu all ja see ei hõlma väljalaskeava või paigaldatud summutit. Kui mootor töötab vedeliku sees või tugevate veejugade all, soovitame suunata väljalaskeava vooliku abil veest eemale. Vedelikus paiknev mootor tuleb alati survestada mootori sügavusest kõrgema rõhuga.

Paigaldusskeem

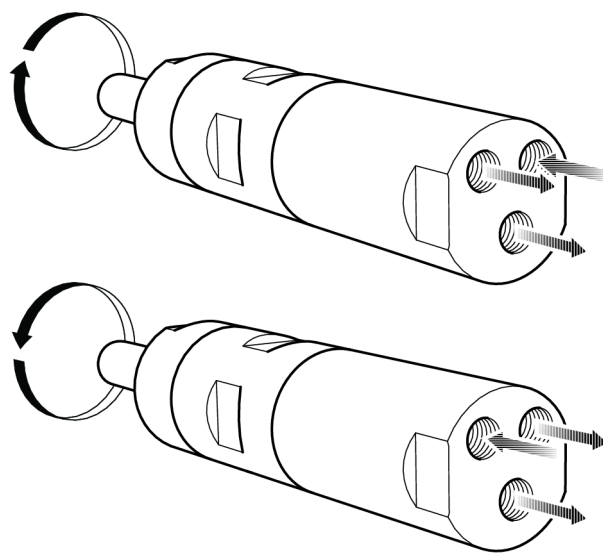
Tagasipööratav mootor



Õhuhvarustuse ühendamine

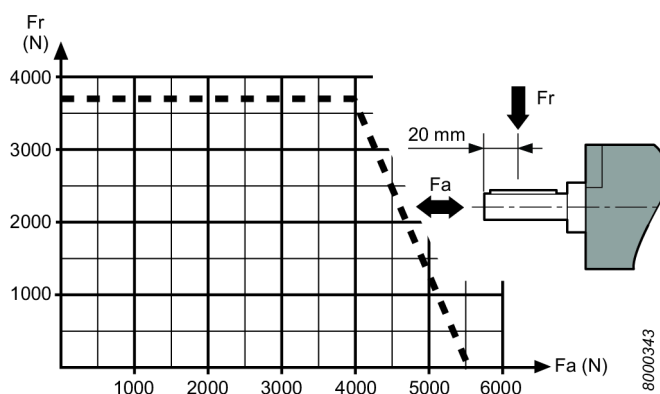
Kui sisselaskega on ühendatud suruõhuhvarustus, on pöörlemissuund vastavalt allnäidatud joonisele. Kui väljundõhk tuleb eemale juhtida, ühendage voolik väljalaske külge.

Suruõhuhvarustus tuleb ühendada soovitud pöörlemissuunale vastavasse sisselaskesse, vt järgnevat joonist. Sisselase, mida ei kasutata, toimib täiendava väljalaskena ja see peab jääma avatuks.



s015473

Võllikoormuse skeem

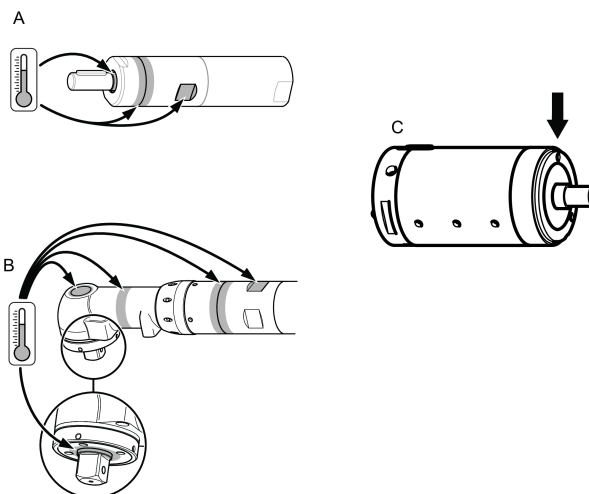


8000343

Kuumad punktid

Suruõhumootorite allkirjeldatud punktid võivad töötamise ajal kuumeneda kõrge temperatuurini. Pildil on näidatud konkreetsete mudelite kuumenevad punktid:

- Käitusvõlli tihendusrõngas (A, B, C)
- Esiosa ja ajamirõnga vaheline ühendus (A, B)
- Võtme haardekoht (A, B)



102020661

Kõrgeimad temperatuurid tekivad, kui mootor töötab täisrõhul ilma koormuseta. Pöördemomendi suurendamisel väheneb õhumootori pöörlemiskiirus ning temperatuur.

Hoiatus

Enne mootori kasutamist veenduge, et olete tööjuhustest aru saanud.

Mootorit, selle lisasid ja tarvikuid võib kasutada ainult nende jaoks ette nähtud eesmärkidel.

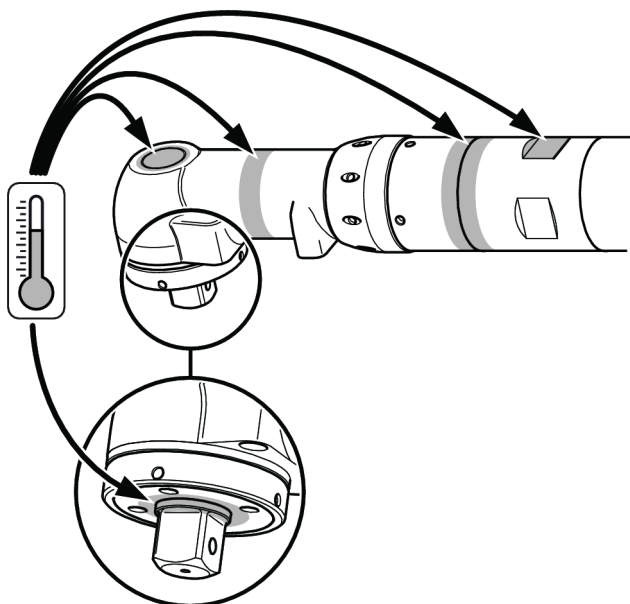
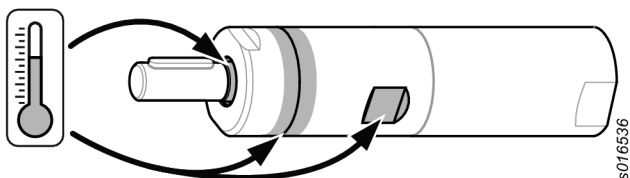
Toote vastutuse ja ohutuse põhjustel, peavad kõik mootori või selle tarvikute juures tehtavad muudatused, millised võivad avaldada mõju toote vastutusele, olema eelnevalt kooskõlastatud tootja tehnilise osakonnaga.

Kehavigastuste ning pikaajaliste ohtude vältimiseks:

- Kui mootor on ATEX-sertifikaadiga, tuleb mootori väljundavadele paigaldada filtrid/summutid.
Mürataseme vähendamiseks soovitatakse summuteid kasutada ka teiste rakenduste juures.
- Enne reguleerimistoiminguid tuleb mootor õhuvoolikust lahti ühendada.
- **Olge tähelepanelikud oma käte, juuste ja riietuse suhtes - hoidke need pöörlevatest detailidest ohutus kauguses.**

Hooldus

- ATEX-toote hooldust ja remonti võivad teostada ainult selleks volitatud isikud. Hoolduse või remondi järel tuleb teostada kuumpunktide temperatuuri mõõtmine (vt joonist) ning koostada saadud andmeid sisaldav aruanne.
Peale 5 minutit väldanud koormuseta testimist ei tohi pinnatemperatuur ületada võrrandi $45^{\circ}\text{C} + \text{ümbritsev temperatuur}$ summat, kus ümbritsev temperatuur võib kõigkuda vahemikus $0 - 40^{\circ}\text{C}$.



Üldised ohutusjuhised

Õhuvarustuse ning ühendusega seotud ohud

- Survestatud õhk võib põhjustada tõsiseid vigastusi.
- Kui seadet ei kasutata, enne lisatarvikute vahetamist või seadme parandamist tuleb alati õhuvarustus kinni keerata, vabastada voolik rõhu alt ning ühendada tööriist õhuvarustusest lahti.
- Ärge suunake õhku enda või ükskõik kelle teise suunas.
- Pekslevad voolikud võivad põhjustada tõsiseid vigastusi. Kontrollige alati, et voolikud ja liitmikud ei oleks vigastatud ega lahti.
- Ärge ületage maksimaalset 6,3 bar / 90 psig või tööriista nimiplaadil toodud õhu survet.

Takerdumisoht

- Hoidke eemale pöörlevast ajamist. Kui tööriistast ja tarvikutest ei hoita eemale lahtisi riideid, kindaid, ehteid, kaelas kantavaid esemeid või juukseid, võib tulemuseks olla lämbumine, skalpeerimine ja/või rebenemine.

Lendavatest osakestest tulenevad ohud

- Tööriistaga töötamise, parandamise ja hooldamise või tarvikute vahetamise ajal või läheduses olles kandke alati löögikindlat silma- ja näokaitset.
- Veenduge, et teised läheduses viibivad isikud kannaksid löögikindlat silma- ja näokaitset Silmavigastust ja pimedaksjäämist võivad põhjustada isegi väikesed lendavad osakesed.
- Veenduge, et töödeldav ese oleks korralikult kinnitatud.

Kasutamiseiga seotud ohud

- Kinnitage tööriist kindlalt.
- Enne töödeldava eseme eemaldamist veenduge, et tööriist on täielikult seiskunud.
- Kinnitage alati masinale, kuhu mootor / induktioonmootor paigaldatakse, käivitamise, seiskamise ja avariiseiskamise juhtnupud.

Müraga seotud ohud

- Vali heli võib põhjustada püsivat kuulmiskaotust või teisi probleeme, näiteks kõrvade kumisemist. Kasutage oma tööandja või töötervishoiu ja -ohutuse eeskirjadega ette nähtud kuulmiskaitsevahendeid.
- Mürataseme mittevajaliku suurenemise vältimiseks kasutage ja hooldage tööriista ning valige, hooldage ja vahetage tarvikuid ja kulumaterjale kooskõlas käesoleva kasutusjuhendiga.

Töökohaga seotud ohud

- Libisemine, komistamine või kukkumine on peamised kehavigastuste või surma põhjused. Pange tähele kõndimisalale või tööpinnale vedelema jäänud voolikut.
- Vältige tööprotsessi käigus tekkiva tolmu või suitsu sissehingamist või prahi käsitlemist, kuna see võib olla tervist kahjustav (põhjustades nt vähki, sünnidefekte, astmat ja/või dermatiiti). Kasutage lendavaid osakesi tekitavate materjalidega töötamisel tolmuärastust ja kandke hingamisteid kaitsvat varustust.

- Osa mootorseadmega lihvimisel, saagimisel, puurimisel ja teiste ehitustööde käigus tekkivat tolmu sisaldab kemikaale, mis California osariigile teada olevatel andmetel põhjustab vähki ja sünnidefekte või muud reproduktiivset kahju. Mõned selliste kemikaalide näited on:
 - Pliipõhistes värvides sisalduv plii.
 - Kristalse räni tellised ja tsement ning teised müüritistooted.
 - Keemiliselt töödeldud kummis sisalduv arseen ja kroom.

Teile nende kokkupuudete tulemusel osaks saava ohu suurus sõltub sellest, kui sageli te sellist tüüpi tööd teete. Nende kemikaalidega kokkupuudete vähendamiseks: töötage hästi tuulutatud piirkonnas ning kandke töötamisel heakskiidetud ohutusvarustust, näiteks tolmu maske, mis on mõeldud spetsiaalselt mikroskoopiliste osakeste välja filtreerimiseks.

- Tegutsege tundmatus ümbruskonnas ettevaatlikult. Tundke oma töötegevusest tingitud potentsiaalseid ohte. Antud tööriist ei ole vooluallikatega kokkupuutumise puhuks isoleeritud.

Märgid ja kleebised

Tootele on paigaldatud olulise isikliku ohutusteabega ja toote hooldusteabega märgid ja kleebised. Paigaldatud märgid ja kleebised peavad olema alati loetavad. Uute märkide ja kleebiste tellimiseks kasutage varuosade loendit.



s011050

ATEX-i serdi teave

ATEX-koodi definitsioon

ATEX-kood:



Ex II 2 G Ex h IIC T6 Gb
 Ex II 2 D Ex h IIIC T85°C Db
 $^{\circ}\text{C} \leq T_a \leq 40^{\circ}\text{C}$

Kirjeldus	Väärtus	Definitsioon
Seadmete rühm	II	Pinnatööstus
Seadmete kategooria	2	Kõrge kaitsetase
Rühm II		<ul style="list-style-type: none"> • tsoon 1 (gaas) • tsoon 2 (gaas) • tsoon 21 (tolm) • tsoon 22 (tolm)
Keskkond	G	Gaasi, aure või udu sisaldav keskkond
	D	Tolmu sisaldav keskkond
Ohutuslahendus	h	Mehaaniline toode

Kirjeldus	Väärtus	Definitsioon
Gaasi rühm	IIC	Vesinik/atsetüleen
	IIB	Etüleen
Tolmu rühm	IIIC	Põlev pinnatolm
Max pinnatemperatuur gaasi sisaldavas keskkonnas	T1	450 °C
	T2	300 °C
	T3	200 °C
	T4	135 °C
	T5	100 °C
	T6	85 °C
Max pinnatemperatuur tolmu sisaldavas keskkonnas		Näidistemperatuurid.
	T85 °C	
	T110 °C	
	T120 °C	
	T125 °C	
	T240 °C	
Eripiirang, näiteks keskkonnatemperatuuri vahemik.	X	

Temperatuurid

- Maksimaalne keskkonnatemperatuur, mille korral sertifikaat kehtib, on 40 °C.
- 40 °C on samuti tootesse siseneva suruõhu suurim lubatud temperatuur.
- Kui toode on paigaldatud seadmesse, peab kogu seade vastama määrusele 2014/34/EL.
- Veenduge, et suruõhk vastaks meie kvaliteedistandarditele (kvaliteediklassid 2.4.3, 3.4.4 ja 3.5.4 vastavalt standardile ISO/DIS 8573-1:2010).
- Ärge ületage suurimat lubatud rõhku 6,3 bar või see, mis on kirjas toote andmesildil. Tööõhu suurendamine võib suurema pöörlemiskiiruse tõttu suurendada pinnatemperatuuri ning toode võib muutuda süüteallikaks.

Ex klassifikatsioon

Kui toode on osaks agregaadist, mille teistel komponentidel on erinev Ex klassifikatsioon, määrab kogu agregadi Ex klassifikatsiooni madalaima tasemega komponent.

Plahvatusohu vältimise juhised

Puhtus

- Laagri- ja pinnatemperatuuri kerkimise vältimiseks hoidke toode tolmust ja mustusest puhtana.
- Summuti kasutamine: paigaldage kindlasti summuti, mille õhu väljalaskes on filter, et vältida hõõrdumisest kuumenenud osakeste sattumist ümbritsevasse keskkonda.

Kasutamine

- Veenduge, et toode on maandatud töökoja potentsiaal-iühtlustussüsteemi, näiteks läbi tarvikute nagu voolikud ja suruõhuühendused.
- Kasutaja on kohustatud tagama, et toode ja kõik võimalikud tarvikud nagu mutrivõtmed ja õhuühendused vastavad potentsiaalselt plahvatusohtlikes piirkondades kasutatavatele seadmetele kehtivatele riiklikele ohutuseeskirjadele.

Kasulik teave

Veebileht

Teavet meie toodete, tarvikute, varuosade ja avaldatud materjalide kohta leiate kaubamärgi Atlas Copco veebisaidilt.

Tutvuge lähemalt: www.atlascopco.com.

ServAid

Portaali ServAid sisu uuendatakse pidevalt ja seal leiate tehnilise teabe, nt:

- Õiguslik ja ohutusteave
- Tehnilised andmed
- Paigaldamis-, kasutamise- ja hooldamisjuhised
- Varuosade loendid
- Lisatarvikud
- Mõõtjoonised

Tutvuge lähemalt: <https://servaid.atlascopco.com>.

Põhjalikuma tehnilise teabe saamiseks võtke ühendust kohaliku Atlas Copco esindajaga.

Techniniai duomenys

Techniniai duomenys

Užsakymo Nr.	8411046413
Modelis	LZB46-L-AR0004-11
Oro sąnaudos esant maks. galingumui	14 l/sek
Oro sąnaudos esant maks. galingumui	29.7 cfm
Stabdymo sūkio momentas	Nm
Stabdymo sūkio momentas	pėdos, svarai
Įmontuotas stabdys	No
Išorinių dalių medžiaga	Hardened steel/Aluminium
Laisvosios eigos sūkiai	35 r/min
Maks. galingumas	0.59 kW
Maks. galingumas	0.79 hp
Min. pradinis sūkio momentas	388 Nm
Min. pradinis sūkio momentas	286 pėdos, svarai
Santykis	
Pavaros perdavimo skaičius	
Sukimosi kryptis	Reversible
Veleno apkrovos kodas	h

Veleno tipas	Keyed
Sūkiai esant maks. galingumui	20 r/min
Užgesimo sūkio momentas	574 Nm
Užgesimo sūkio momentas	423 pėdos, svarai
Sūkio momentas esant maks. galingumui	287 Nm
Sūkio momentas esant maks. galingumui	212 pėdos, svarai
Mentės tipas	Lubrication free
Svoris	4.9 kg
Svoris	10.8 lb
Įleidimo žarna	10 mm
Įleidimo žarna	0.4 coliai
Apsaugos nuo įsilaužimo įvertinimas	IP66
Išleidimo žarna	16 mm
Išleidimo žarna	0.6 coliai

IP Reitingas

Oro variklių IP reitingas rodo mechaninio korpuso atitikimą pagal IEC 60529 standartą. IP reitingas neapima atsparumo korozijai ar kitiems skysčiams, išskyrus švarų gėlą vandenį.

Deklaracijos

ES ĮMONTAVIMO DEKLARACIJA

Mes, Atlas Copco Industrial Technique AB, SE-105 23 STOCKHOLM SWEDEN, vienašališkos atsakomybės pagrindu pareiškiame, kad šis gaminys (įskaitant pavadinimą, tipą ir serijos numerį, žr. pirmame puslapyje), atitinka šiuos pagrindinius Mašinų direktyvos 2006/42/EB reikalavimus:

2006/42/EC (Annex I, clauses 1.1, 1.2 (excluding 1.2.4.3), 1.3, 1.4, 1.5, 1.6, 1.7)

Ir, kad šis iš dalies sukomplektuotas mechanizmas atitinka šios (-ių) kitos (-ų) ES direktyvos (-ų) nuostatas: 2014/34/EU (ATEX)

Šis dalinai sukomplektuotas mechanizmas neturi būti pradėtas naudoti tol, kol nebus deklaruota galutinės mašinos, į kurią jis turi būti įmontuotas, atitiktis, pagal Mašinų direktyvos 2006/42/EB nuostatas, kai taikytina.

Taikyti šie darnieji Europos standartai (jų dalys / punktai):

EN 1127-1:2019, EN ISO 12100:2010, EN ISO 80079-36:2016, EN ISO 80079-37:2016

Techninė dokumentacija yra parengta ir paskelbta pagal Mašinų direktyvos 2006/42/ES VII Priedo B dalį ir ATEX Direktyvos 2014/34/EB 13 straipsnio (1) b ii notifikuojoje įstaigoje ExVeritas ApS (ES identifikacijos Nr. 2804), Danijoje. ATEX direktyvos 2014/34/ES techninės bylos institucijos gali pareikalauti popieriuje atspausdintos versijos iš:

<https://www.exveritas.com/2022/02/02/what-you-need-for-atex-and-ukca-explosive-atmosphere-certification-for-the-uk-and-eu-markets/>

Stockholm, 1 September 2023

Håkan Andersson, Managing Director

Išdavėjo parašas



Informacija apie 33 Straipsnį dėl cheminių medžiagų registracijos, įvertinimo, autorizacijos ir apribojimų (REACH)

Europos Parlamento ir Tarybos reglamento (EB) Nr. 1907/2006 dėl cheminių medžiagų registracijos, įvertinimo, autorizacijos ir apribojimų (REACH) tarp kitų dalykų pateikia reikalavimus dėl bendravimo tiekimo grandinėje. Informacijos pateikimo reikalavimas taip pat yra taikomas ir produktams, kuriuose yra taip vadinamos labai didelį susirūpinimą keliančiomis medžiagomis ("Kandidatų sąrašas") 2018 birželio 27d. švino metalas (CAS nr 7439-92-1) buvo įtrauktas į Kandidatų sąrašą.

Pagal šį punktą, jūs turite būti informuojami apie tai, kad tam tikri produkte esantys mechaniniai komponentai gali turėti švino metalo. Šią informaciją reikia pateikti laikantis šiuo metu galiojančios medžiagų apribojimo teisės akto, pagrįsto teisėtomis išimtimis, nurodytomis dėl tam tikrų pavojingų medžiagų naudojimo elektros ir elektroninėje įrangoje apribojimo (2011/65/EU) direktyvoje. Švino metalas neturi prasisverbti arba mutuoti gaminyje, jį naudojant normaliomis aplinkybėmis, o jo koncentracija užbaigtame produkte yra daug žemesnė nei jam taikoma riba. Prašom laikytis vietos reikalavimų atsikratant švinu, esančiu gaminyje, pasibaigus gaminio naudojimo laikui.

Regioniniai reikalavimai

⚠️ ĮSPĖJIMAS

Šis produktas gali sukelti jums pavojų dėl cheminių medžiagų poveikio, įskaitant šviną – Kalifornijos valstija žino, kad tai gali sukelti vėžį, apsigimimų ir kitą žalą reprodukcinei sistemai. Daugiau informacijos rasite

<https://www.p65warnings.ca.gov/>

Sauga

NEIŠMESTI – ATIDUOTI VARTOTOJUI

⚠️ ĮSPĖJIMAS Perskaitykite visus su šiuo gaminiu pateikiamus saugos įspėjimus, instrukcijas, iliustracijas ir specifikacijas.

Jei bus nesilaikoma visų toliau pateiktų instrukcijų, gali kilti elektros smūgio, gaisro, nuosavybės sugadinimo ir (arba) sunkaus sužeidimo pavojus.

Išsaugokite visus įspėjimus ir nurodymus, kad prirėkus vėliau galėtumėte pasiskaityti.

⚠️ ĮSPĖJIMAS Visada būtina laikytis visų galiojančių vietinių sumontavimo, eksploatacijos ir techninės priežiūros saugos taisyklių.

Naudojimo deklaracija

- Skirta tik profesionaliam naudojimui.
- Draudžiama atlikti bet kokius šio gaminio ir jo priedų pakeitimus.
- Nenaudokite šio gaminio, jei jis apgadintas.
- Jei nebeįžiūrėti arba atplyšo lipdukai su gaminio įspėjimais ženkais, juos iškart pakeiskite.
- Gaminį gali diegti, naudoti ir techniškai prižiūrėti tik kvalifikuotas personalas pramoninio montažo aplinkoje.

Numatytoji paskirtis

Šis variklis skirtas įmontuoti į pritvirtintą ar judantį įrenginį. Jis yra skirtas sukurti tik dešine arba kaire ranka, arba tik grįžtamuju sukimu, todėl turi būti montuojamas tik atitinkamai ties flanšu ar srieginiu snapeliu. Naudojimas kitai paskirčiai draudžiamas.

Rizika, kad varikliai taps uždegimo ar potencialiai sprogios atmosferos šaltiniu, yra itin maža. Naudotojas atsako už rizikos, susijusios su visu įrenginiu, į kurį bus įmontuojamas variklis, įvertinimu.

Specialios gaminio instrukcijos

Įspėjimas

⚠️ ĮSPĖJIMAS Polimerų keliamas pavojus

Šio gaminio menčių sudėtyje yra PTFE (sintetinio fluoropolimero). Dėl dėvėjimosi PTFE dalelių gali būti gaminio viduje. Įkaitę PTFE dalelės gali pradėti smilkti ir gali sukelti polimerų garų karštinę, kurios simptomai yra panašūs į peršalimo, ypač, rūkant užterštus tabako gaminius.

Dirbant su šiomis rotoriaus mentėmis ir kitomis įrankio dalimis reikia laikytis sveikatos ir saugos rekomendacijų dėl PTFE:

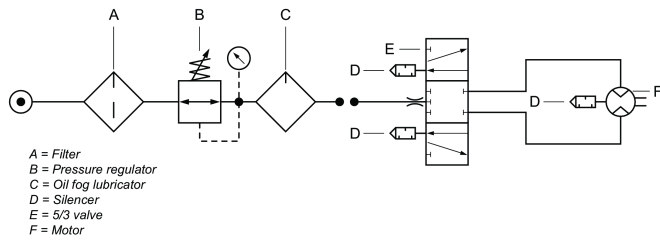
- ▶ Prižiūrėdami šį gaminį nerūkykite
- ▶ PTFE dalelės neturi turėti sąlyčio su atvira ugnimi, karščiu ar šiluma
- ▶ Variklio komponentus reikia plauti valikliu, jų negalima valyti pučiant suslėgtą orą
- ▶ Prieš pradėdami dirbti kokius nors kitus darbus nusi-plaukite rankas

IP Reitingas

Oro variklių IP reitingas yra nustatomas esant slėgiui ir neįtraukiant išleidimo angos arba prijungiamo duslintuvo. Jei variklis veikia po vandeniu arba esant stiprioms vandens srovėms, rekomenduojama išleidimo angą naudojant žarną iškelti virš vandens. Panardinus, variklį visada laikykite didesniame slėgyje nei atitinkamo gylio slėgis.

Sumontavimo schema

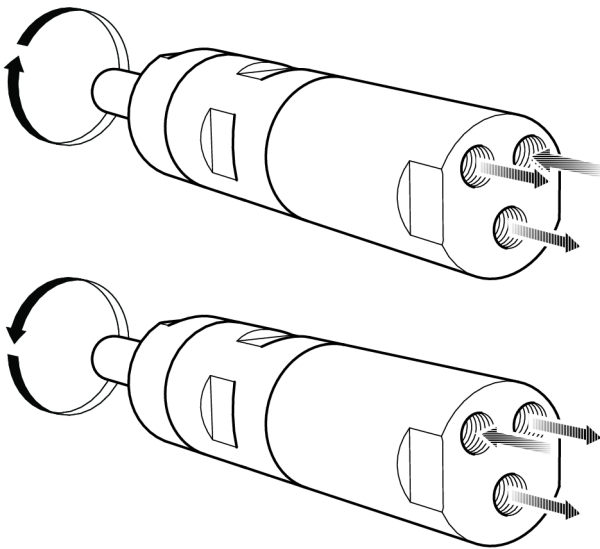
Reversinis variklis



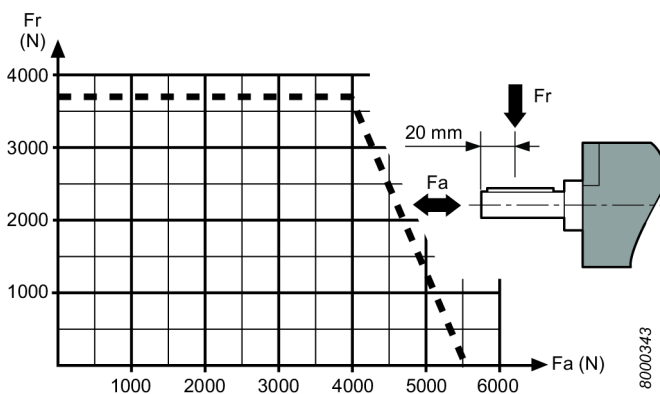
Oro tiekimo prijungimas

Kai prie išleidimo angos prijungiamas suslėgtas oras, sukimosi kryptis bus tokia, kaip parodyta toliau esančiame paveikslėlyje. Jei išmetamą orą reikia nuvesti į išorę, žarną reikia prijungti išmetimo angos.

Suslėgtą orą reikia prijungti prie atitinkamos išleidimo angos pagal norimą sukimosi kryptį, žr. toliau esantį paveikslėlį. Nenaudojama išleidimo anga veikia kaip papildoma išleidimo anga, jos nereikia užkimšti.



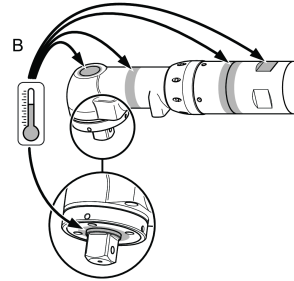
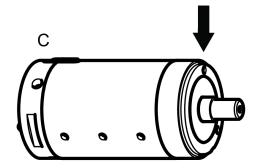
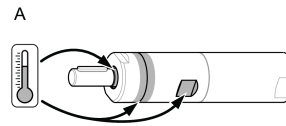
Veleno apkrovos diagrama



Karštieji taškai

Nurodytos variklio vietos eksploatacijos metu gali labai įkaisti. Paveikslėlyje yra parodytos atskirų variklių kaistančios vietos:

- Sandarinimo žiedas ant išleidimo veleno (A, B, C)
- Jungė tarp priekinės dalies ir pavaros žiedo (A, B)
- Rakto rankena (A, B)



Temperatūra gali pakilti aukščiausiai, kai variklis veikia visu slėgiu be apkrovos. Didėjant sukimo momentui pneumatinis variklis mažina sukimosi greitį ir temperatūrą.

Išpėjimas

Prieš pradėdami naudoti šį variklį, įsitikinkite, kad susipažinote su naudojimo instrukcijomis.

Variklis, jo priedai ir aksesuarai turi būti naudojami tik pagal paskirtį.

Atsakomybės už gaminį ir saugos sumetimais, dėl bet kokių variklio ar jo priedų modifikavimų, kurie gali paveikti atsakomybę už gaminį, turi būti susitarta su gamintojo specialistu, atsakingu už techniką.

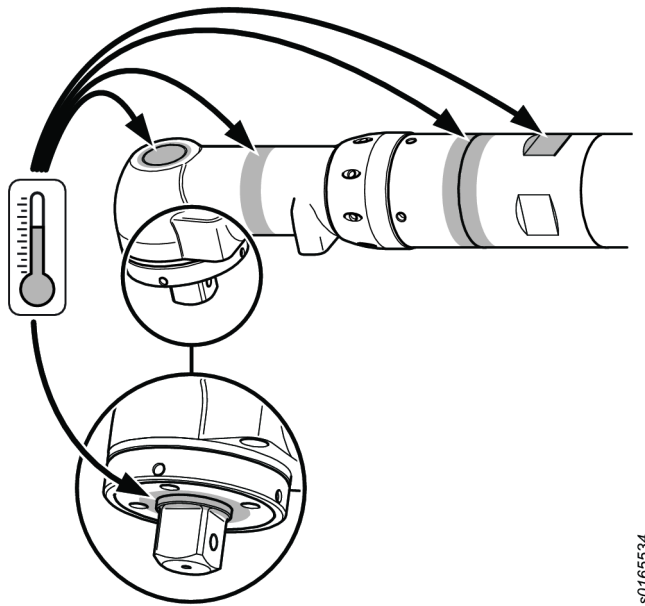
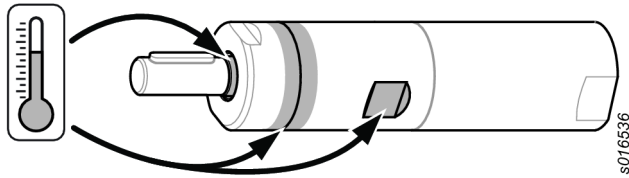
Kad apsaugotumėte nuo žmonių sužalojimo ir ilgalaikių pavojų:

- Jei variklis yra su ATEX sertifikatu, prie variklio išleidimo angų reikia įrengti filtrą / duslintuvus. Slopintuvai rekomenduojami ir kitais atvejais, siekiant sumažinti triukšmą.
- Prieš atlikdami bet kokius keitimo darbus atjunkite variklį nuo pneumatinės linijos.
- **Stebėkite savo rankas, plaukus ir drabužius – pasirūpinkite, kad jie visada būtų atokiai nuo besisukančių dalių.**

Techninė priežiūra

- ATEX gaminio techninės priežiūros ir remonto darbus turi atlikti tik įgaliotas personalas, po šių darbų turi būti atlikta gaminio patikra be apkrovos bei įkaistančių vietų (kaip pavaizduota paveikslėlyje) temperatūros matavimai ir užfiksuoti ataskaitoje kartu su temperatūros matavimais.

Po 5 minučių patikros be apkrovos paviršiaus temperatūra neturi viršyti 45°C + aplinkos temperatūros, kai aplinkos temperatūra gali būti 0 – 40°C.



Bendrosios saugos instrukcijos

Oro tiekimo ir jungčių pavojai

- Suspaustas oras gali sukelti sunkių sužalojimų.
- Prieš keisdami priedus arba atlikdami taisymus, visada išjunkite oro tiekimą, oro slėgio nusausinimo žarną ir atjunkite prietaisą nuo oro tiekimo, kai jo nenaudojate.
- Niekada nenukreipkite oro tiesiogiai į save ar bet kurį kitą asmenį.
- Besiplaikstančios žarnos gali sukelti sunkių sužalojimų. Visada patikrinkite, ar nėra pažeistų arba laisvų žarnų arba pritvirtinimų.
- Neviršykite maksimalaus 6,3 bar / 90 psig oro slėgio arba nurodyto prietaiso pavadinimo lentelėje.

Įsipainiojimo pavojai

- Laikykites atokiai nuo besisukančios pavaros. Jei nelaikysite laisvų drabužių, pirštinių, papuošalų ir kaklo aksesuarų atokiau nuo prietaiso ir priedų, galite uždusti ir (arba) patirti plėštinių žaizdų.

Rizikos atvejai, susiję su dalelių lakstymu

- Visuomet naudokitės smūgiams atspariomis akių ir veido apsaugos priemonėmis, kai dirbate ar esate šalia dirbančio įrankio, remontuojate ar prižiūrite jį, ar keičiate įrankio detales.
- Visi kiti asmenys, esantys netoliese, turi dėvėti poveikiui atsparią akių ir veido apsaugą. Net smulkios lakstančios dalelės gali sužeisti akis ar apakinti.
- Pasirūpinkite, kad ruošinys būtų tvirtai užfiksuotas.

Su darbu susiję pavojai

- Tvirtai suspauskite įrankį.

- Prieš nuimdami apdorojamą detalę pasirūpinkite, kad įrankis būtų visiškai sustojęs.
- Visada pritaikykite paleidimo, sustabdymo ir avarinio sustabdymo valdiklius prie įrenginio, į kurį bus įmontuojamas variklis / sukimo momento variklis.

Triukšmo pavojai

- Įrankio keliamas didelis triukšmas gali negrįžtamai paklenkti klausai ir sukelti kitų problemų, pavyzdžiui, spengimą ausyse. Naudokite ausų apsaugas, kurias rekomenduoja jūsų darbdavys ar darbuotojų sveikatos ir saugos teisės aktai.
- Kad išvengtumėte nereikalingo triukšmo lygio padidėjimo, naudokite ir prižiūrėkite įrankį, pasirinkite, prižiūrėkite ir keiskite priedus ir sunaudojamas dalis pagal šias naudojimo instrukcijas.

Pavojai darbo vietoje

- Paslydimas, suklupimas ar griuvimas yra pagrindinės sunkių ar mirtinų sužeidimų priežastys. Saugokitės žarnų paliktų vietoje, kur vaikstoma, arba darbo srityje.
- Stenkitės neįkvėpti dulkių ar garų ir liesti lūženų darbo metu, nes tai gali būti pavojinga sveikatai (pavyzdžiui, sukelti vėžį, apsigimimus, astmą ir (arba) dermatitą). Dirbdami su medžiagomis, kurios skleidžia daleles į orą naudokite dulkių ištraukimo sistemas ir dėvėkite apsaugines kvėpavimo priemones.
- Kai kuriose dulkėse sukeltose šlifavimo, pjovimo, gręžimo ir kitų veiksmų yra chemikalų, kurie, kaip žinoma Kalifornijos valstijoje, gali sukelti vėžį, įgimtas ydas arba kitą reprodukcinę žalą. Kai kurių šių chemikalų pavyzdžiai:

- Švinas iš dažų, kurių pagrindas yra švinas
- Kristalinio silicio plytos ir cementas bei kiti mūriniai gaminiai
- Arsenas ir chromas iš chemiškai apdorotos gumos

Sąveikos su šiais chemikalais poveikis gali skirtis atsižvelgiant į tai kaip dažnai dirbate šį darbą. Norėdami sumažinti sąveiką su šiais chemikalais: dirbkite gerai vėdinamoje patalpoje ir naudokite patvirtintas saugumo priemones, pvz., dulkių kaukes, kurios specialiai sukurtos tam, kad filtruotų mikroskopines daleles.

- Ypač būkite atsargūs nepažįstamoje aplinkoje. Išsiaiškinkite potencialius pavojus, kuriuos sukelia darbas su varikliu. Įrankis nėra izoliuotas nuo elektros šaltinių.

Ženklaai ir lipdukai

Ant gaminio yra ženklų ir lipdukų su svarbia informacija apie asmens saugą ir gaminio priežiūrą. Ženklaai ir lipdukai turi būti visada lengvai įskaitomi. Naujų ženklų ir lipdukų galima užsisakyti naudojantis atsarginių dalių sąrašu.



ATEX sertifikavimo informacija

ATEX klasifikacijos apibrėžimas

ATEX klasifikacija yra:



Ex II 2 G Ex h IIC T6 Gb

Ex II 2 D Ex h IIIC T85°C Db

 $^{\circ}\text{C} \leq \text{Ta} \leq 40^{\circ}\text{C}$

Aprašas	Vertė	Apibrėžimas
Įrangos grupė	II	Antžeminė pramonė
Įrangos kategorija II grupė	2	Aukštas apsaugos lygis <ul style="list-style-type: none"> • 1 zona (dujos) • 2 zona (dujos) • 21 zona (dulkės) • 22 zona (dulkės)
Atmosfera	G	Atmosfera, kurioje yra dujų, garų ar rūko
	D	Atmosfera, kurioje yra dulkių
Apsauginė konstrukcija	h	Mechaninis produktas
Dujų grupė	IIC	Vandenilis / acetilenas
	IIB	Etilenas
Dulkių grupė	IIIC	Paviršinės degios dulkės
Maks. paviršiaus temperatūra dujų turinčioje atmosferoje		T1 = 450 °C T2 = 300 °C T3 = 200°C T4 = 135 °C T5 = 100°C T6 = 85°C
Maks. paviršiaus temperatūra dulkių turinčioje atmosferoje		Temperatūros pavyzdys: T85°C T110°C T120°C T125°C T240°C
Specialus apribojimas, pavyzdžiui, aplinkos temperatūros diapazonas.	X	

Temperatūra

- Aukščiausia aplinkos temperatūra, kuriai esant galioja sertifikavimas, yra 40°C.
- 40°C taip pat yra aukščiausia leidžiama suslėgto oro, kai jis patenka į gaminį, temperatūra.
- Jei gaminys yra sumontuotas įrangoje, visa įranga turi atitikti 2014/34/ES direktyvos taisykles.
- Įsitikinkite, kad suslėgtas oras atitinka mūsų taikomus kokybės reikalavimus (2.4.3. ir 3.4.4 kokybės klasės ir atitinkamai 3.5.4 pagal ISO/DIS 8573-1:2010).
- Neviršykite maksimalaus 6,3 bar oro slėgio arba nurodyto gaminio techninių duomenų lentelėje. Jei bus viršytas darbinis slėgis, dėl didesnio sukimosi greičio padidės paviršiaus temperatūra ir gaminyje gali tapti užsidegimo šaltiniu.

Apsaugos nuo sproginimo klasifikacija

Jei gaminys yra agregato, kurio komponentai turi skirtingas apsaugos nuo sproginimo klasifikacijas, dalis, komponentas su žemiausiu saugumo lygiu nustato viso agregato apsaugos nuo sproginimo klasifikaciją.

Apsaugos nuo sproginimo taisyklės

Švarumas

- Pasirūpinkite, kad į gaminį nepatektų dulkių bei purvo, ir dėl to nepakiltų guolio ir paviršiaus temperatūra.
- Jei naudojamas duslintuvas: Pasirūpinkite, kad būtų sumontuotas duslintuvas su filtravimo efektu ties oro išleidimo vieta, ir dėl trinties įkaitusios dalelės negalėtų patekti į aplinkos atmosferą.

Naudojimas

- Gaminys turi būti įžemintas naudojant dirbtuvių ekvipotencialinio sujungimo sistemą, pavyzdžiui, priedus, tokius, kaip žarnos ar pneumatinės jungtys.
- Naudotojas privalo užtikrinti, kad visi galimi gaminio priedai, tokie, kaip veržliarakčiai ir pneumatinės jungtys atitiktų nacionalines saugos taisykles, skirtas potencialiai sproginioje aplinkoje naudojamai įrangai.

Naudinga informacija

Tinklavietė

Informaciją apie mūsų Gaminius, Priedus, Atsargines dalis ir Paskelbtus klausimus rasite Atlas Copco puslapyje.

Apsilankykite: www.atlascopco.com.

„ServAid“

ServAid yra nuolat atnaujinamas portalas, kuriame rasite techninę informaciją, tokią, kaip:

- Teisinė ir saugos informacija
- Techniniai duomenys
- Montavimo, eksploatacijos ir priežiūros instrukcijos

- Atsarginių dalių sąrašai
- Priedai
- Matmenų brėžiniai

Āpsilankykite: <https://servaid.atlascopco.com>.

Daugiau tehninēs informācijas teiraukītēs vietinio Atlas Copco atstovo.

Tehniskie dati

Tehniskie dati

Pasūtījuma Nr.	8411046413
Modelis	LZB46-L-AR0004-11
Gaisa patēriņš ar maks. jaudu	14 l/s
Gaisa patēriņš ar maks. jaudu	29.7 cfm
Bremzēšanas griezes moments	Nm
Bremzēšanas griezes moments	ft lb
Iebūvētā bremze	No
Ārējo daļu materiāls	Hardened steel/Aluminium
Brīvgaitas ātrums	35 apgr./min.
Maks. jauda	0.59 kW
Maks. jauda	0.79 ZS
Min. palaišanas griezes moments	388 Nm
Min. palaišanas griezes moments	286 ft lb
Attiecība	
Pārnesumskaitlis	
Rotācijas virziens	Reversible
Vārpstas slodzes kods	h
Vārpstas tips	Keyed
Ātrums ar maks. jaudu	20 apgr./min.
Noslāpēšanas griezes moments	574 Nm
Noslāpēšanas griezes moments	423 ft lb
Griezes moments ar maks. jaudu	287 Nm
Griezes moments ar maks. jaudu	212 ft lb
Lāpstiņu tips	Lubrication free
Svars	4.9 kg
Svars	10.8 mārc.
Ieplūdes šļūtene	10 mm
Ieplūdes šļūtene	0.4 collas
Aizsardzības klase	IP66
Izplūdes šļūtene	16 mm
Izplūdes šļūtene	0.6 collas

IP klase

Pneimatisko motoru IP klase attiecas uz mehānisko korpusu saskaņā ar IEC 60529 standartu. IP klase neattiecas uz izturību pret koroziju vai citiem šķidrumiem, izņemot tīru saldūdeni.

Deklarācijas

ES IEKĻAUŠANAS DEKLARĀCIJA

Mēs, Atlas Copco Industrial Technique AB, SE-105 23 STOCKHOLM SWEDEN, vienpersoniski uzņemoties atbildību, paziņojam, ka šis produkts (ar nosaukumu, tipu un sērijas numuru, kas atrodami titullapā) atbilst šādām pamatprasībām, kas minētas Mašīnu direktīvā 2006/42/EK:

2006/42/EC (Annex I, clauses 1.1, 1.2 (excluding 1.2.4.3), 1.3, 1.4, 1.5, 1.6, 1.7)

Un ka šī daļēji komplektētā mašīna atbilst šādas citas ES direktīvas(-u) noteikumiem:
2014/34/EU (ATEX)

Šīs daļēji komplektētās mašīnas ekspluatāciju nedrīkst uzsākt, kamēr nav paziņota pilnībā komplektētās mašīnas, kurā tā tiek iekļauta, atbilstība šīs Mašīnu direktīvas 2006/42/EK prasībām — ja tas ir nepieciešams.

Ir piemēroti šādi Eiropas saskaņotie standarti (daļas/klauzulas):

EN 1127-1:2019, EN ISO 12100:2010, EN ISO 80079-36:2016, EN ISO 80079-37:2016

Atbilstošā tehniskā dokumentācija tika apkopota un paziņota saskaņā ar Mašīnu direktīvas 2006/42/EK VII pielikuma B daļu un ATEX direktīvas 2014/34/ES 13. panta 1. punkta b) apakšpunkta ii) daļu pilnvarotajā iestādē ExVeritas ApS (ES identifikācijas nr. 2804) Dānijā. Iestādes var pieprasīt tehnisko lietu ATEX direktīvai 2014/34/ES papīra formā no: <https://www.exveritas.com/2022/02/02/what-you-need-for-atex-and-ukca-explosive-atmosphere-certification-for-the-uk-and-eu-markets/>

Stockholm, 1 September 2023

Håkan Andersson, Managing Director

Izsniedzēja paraksts



Informācija par REACH 33. pantu

Eiropas Regula (ES) Nr. 1907/2006, kas attiecas uz ķīmisko vielu reģistrēšanu, vērtēšanu, licencēšanu un ierobežošanu (REACH) cita starpā nosaka arī prasības, kas saistītas ar komunikāciju piegādes ķēdē. Prasība sniegt informāciju attiecas arī uz produktiem, kas satur tā sauktās īpaši bīstamās vielas („kandidātu saraksts”). 2018. gada 27. jūnijā kandidātu sarakstam tika pievienots svina metāls (CAS Nr. 7439-92-1).

Saskaņā ar iepriekš minēto, ar šo informējam jūs, ka noteiktas mehāniskās produkta sastāvdaļas var saturēt svina metālu. Tas ir saskaņā ar spēkā esošajiem tiesību aktiem par vielu ierobežošanu, un to pamatā ir RoHS direktīvā (2011/65/ES) paredzētie likumīgie atbrīvojumi. Parastā lietošanas laikā no ražojuma neizplūst vai nemutējas svina metāls, un svina metāla koncentrācija visā produktā ir ievērojami zemāka par piemērojamo robežvērtību. Lūdzu, ņemiet vērā vietējās prasības attiecībā uz svina iznīcināšanu produkta kalpošanas laika beigās.

Reģionālās prasības

⚠ BRĪDINĀJUMS

Šis produkts var jūs pakļaut svina apdraudējumam, kurš Kalifornijas štatā ir zināms kā vēža un iedzimtu defektu izraisītājs, kā arī citu reproduktīvo funkciju kaitējumu avots. Lai saņemtu plašāku informāciju, apmeklējiet

<https://www.p65warnings.ca.gov/>

Drošība

NEIZMETIET — NODODIET LIETOTĀJAM

⚠ BRĪDINĀJUMS Izlasiet visus drošības brīdinājumus, norādījumus, ilustrācijas un specifikācijas, kas saņemtas kopā ar šo produktu.

Neievērojot visus tālāk sniegtos norādījumus, varat izraisīt elektrisko triecienu, ugunsgrēku, īpašuma bojājumus un/vai smagas traumas.

Saglabājiet visus brīdinājumus un norādījumus turpmākai uzziņai.

⚠ BRĪDINĀJUMS Pastāvīgi jāievēro visi vietējie drošības noteikumi, kas attiecas uz uzstādīšanu, ekspluatāciju un apkopi.

Produkta pielietojums

- Tikai profesionālai lietošanai.
- Šo produktu un tā palīgaprīkojumu aizliegts jebkādā veidā pārveidot.
- Neizmantojiet šo produktu, ja tas ir bojāts.
- Ja produkta dati vai bīstamības brīdinājuma zīmes uz produkta vairs nav salasāmas vai atlīmējas, nekavējoties nomainiet tās.
- Šo produktu drīkst uzstādīt, lietot un apkalpot tikai kvalificēta persona rūpnieciskā montāžas vidē.

Paredzētais pielietojums

Šis motors ir paredzēts uzstādīšanai fiksētā vai kustīgā mašīnā. Tas ir paredzēts vai nu rotācijai tikai uz labo pusi, vai arī rotācijai tikai uz kreiso pusi, vai reversējamai rotācijai, un tas ir jāuzstāda tikai ar atloku vai vītņsavienojumu — pēc nepieciešamības. Citi lietošanas veidi nav atļauti.

Risks, ka motori var kalpot par aizdegšanās avotu potenciāli sprādzienbīstamā vidē, ir ļoti mazs. Lietotājs ir atbildīgs par risku novērtēšanu attiecībā uz visu mašīnu, kurā motors tiks uzstādīts.

Produktam specifiskas instrukcijas

Uzmanību

⚠ BRĪDINĀJUMS Polimēru bīstamība

Šajā produktā esošās lāpstiņas satur PTFE (sintētisko fluora polimēru). Nolietošanas rezultātā produktā var būt PTFE daļiņas. Uzkarstēts PTFE var izdalīt tvaikus, kas var izraisīt polimēra tvaiku drudzi ar gripai līdzīgiem simptomiem, it īpaši smēķējot piesārņotu tabaku.

Rīkojoties ar lāpstiņām un citiem komponentiem, jāievēro veselības aizsardzības un drošības ieteikumi attiecībā uz PTFE:

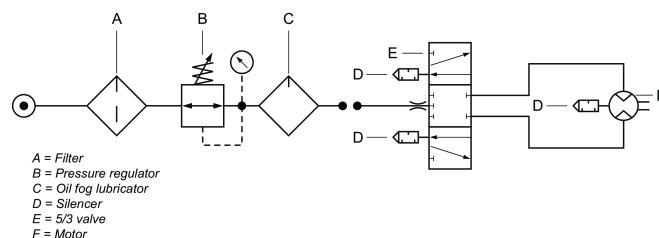
- ▶ Nesmēķēt, veicot šī produkta apkopi
- ▶ PTFE daļiņas nedrīkst nonākt saskarē ar atklātu uguni, kvēlojošiem objektiem vai karstumu
- ▶ Motora komponenti jāmazgā ar tīrīšanas šķidrumu un nav jāizpūš, izmantojot gaisvadu līnija
- ▶ Pirms jebkuras citas darbības sākšanas nomazgājiet rokas

Ip klaseIP klase

Pneimatisko motoru IP klase ir noteikta hermētiski noslēgtā stāvoklī un neietver izplūdes atveri vai pievienoto klusinātāju. Ja motors darbosies zem ūdens vai spēcīgas ūdens strūkļas apstākļos, ieteicams novadīt izplūdes atveri prom no ūdens, izmantojot šļūteni. Kad motors atrodas zem ūdens, vienmēr turiet to hermētiski noslēgtā stāvoklī, kas pārsniedz atbilstošā dziļuma spiedienu.

Uzstādīšanas shēma

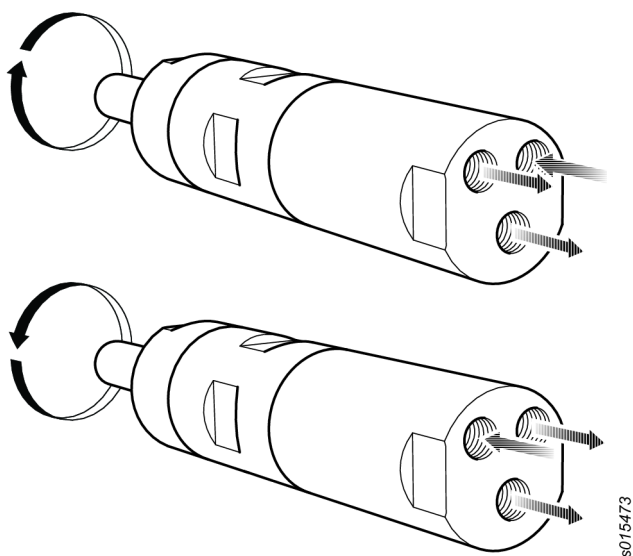
Reversējams motors



Gaisa padeves pievienošana

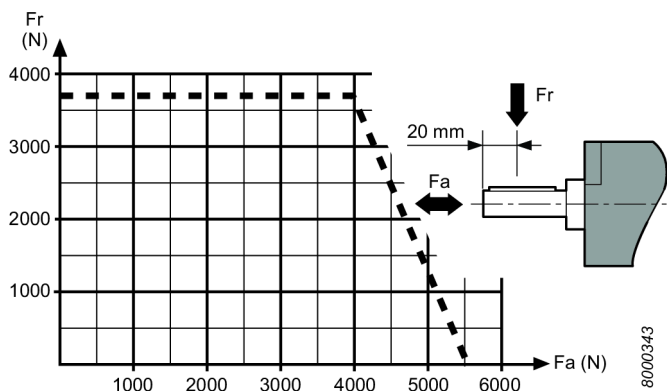
Kad ievadam ir pievienota saspīstā gaisa padeve, rotācijas virziens ir tāds, kāds tas ir norādīts tālāk attēlā. Ja izplūdes gaisu ir paredzēts aizvadīt, izplūdes izvadam ir jāpievieno šļūtene.

Saspīstā gaisa nodrošinājumam jābūt savienotam ar atbilstošo pievadi, lai iegūtu vēlamu rotācijas virzienu; skatīt zemāk esošo attēlu. Pievade, kas netiek izmantota, funkcionē kā papildu izvade, un to nedrīkst pievienot kontaktligzdai.



s015473

Vārpstas slodzes diagramma

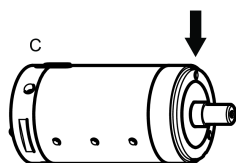
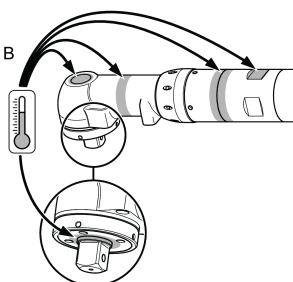
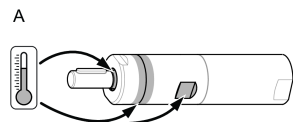


8000343

Karstie punkti

Šie karstie punkti uz motora var sasniegt augstas temperatūras. Attēlā redzami karstie punkti konkrētiem modeļiem:

- Blīvģredzens uz izvada vārpstas (A, B, C)
- Savienojums starp priekšdaļu un aizmugurējo ģredzenu (A, B)
- Atslēgas rokturis (A, B)



198298341

Augstākās temperatūras tiek sasniegtas, kad motors darbojas ar pilnu spiedienu bez slodzes. Palielinot griezes momentu, pneimatiskais motors samazina rotācijas apgriezienus un temperatūru.

Uzmanību

Pirms šī motora lietošanas pārlicinieties, ka pārzināt ekspluatācijas instrukcijas.

Šo motoru, tā agregātus un piederumus drīkst izmantot tikai mērķiem, kuriem tie ir paredzēti.

Produkta uzticamības un drošības dēļ jebkuras motora vai tā piederumu modifikācijas, kuras var ietekmēt produkta uzticamību, jāaskaņo ar ražotāja tehnisko pārstāvi.

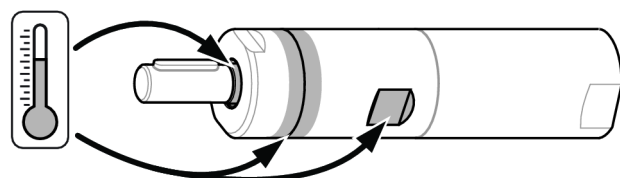
Lai izvairītos no traumām un ilgtermiņa apdraudējumiem:

- Ja motors ir ATEX sertificēts, motora izvadiem jāuzstāda filtri/klusinātāji.
- Klusinātājus ieteicams izmantot arī citās situācijās, lai mazinātu trokšņa emisiju.
- Pirms jebkādiem regulēšanas darbiem atvienojiet motoru no gaisvada.
- **Uzmaniet savas rokas, matus un apģērbu — turiet tos pietiekamā attālumā no rotējošām daļām.**

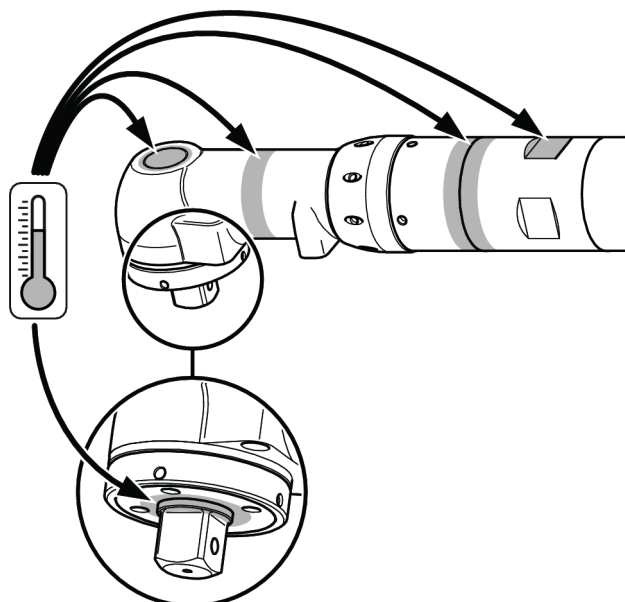
Tehniskā apkope

- Šī ATEX izstrādājuma tehniskās apkopes un remontdarbi ir jāveic tikai un vienīgi atbilstoši pilnvarotiem darbiniekiem, un pēc tam jāveic karsto punktu (kā parādīts attēlā) pārbaude bez slodzes, veicot temperatūras mērījumus un reģistrējot tos ziņojumā.

Pēc 5 min bezslodzes testa virsmas temperatūra nedrīkst pārsniegt summu no 45°C + apkārtējā temperatūra, kur apkārtējā temperatūra var būt diapazonā no 0 – 40°C.



s016536



s016534

Vispārīgas drošības instrukcijas

Gaisa pievade un savienojumu riski

- Gaiss spiediena ietekmē var radīt dažādus ievainojumus.
- Kad instruments netiek lietots, pirms maināt piederumus, vai veicot apkopes darbus, vienmēr noslēdziet gaisa padevi, iztukšojiet gaisa spiediena šļūteni un atvienojiet to no gaisa padeves.
- Nekad nevērsiet tiešu gaisa plūsmu savā vai citu virzienā.
- Šļūteņu nekontrolēta kustība var izraisīt smagas traumas. Vienmēr pārbaudiet, vai šļūtenes vai veidgabali nav bojāti vai vaļīgi.
- Nepārsniedziet maksimālo atļauto gaisa spiedienu 6,3 bar / 90 psig vai, kā norādīts instrumenta datu plāksnītē.

Sapīšanās riski

- Turiet atstatus no rotējošās piedziņas. Ja vaļīgas drēbes, cimdi, rotaslietas, kaklarotas un mati netiek turēti atstatus no instrumenta un tā piederumiem, var tikt izraisīta žņaugšana, skalpēšana un/vai plēstas brūces.

Lidojošu objektu bīstamība

- Vienmēr, strādājot ar instrumentu vai esot tuvumā, veicot remontu vai apkopi vai mainot tā piederumus, valkājiet triecienizturīgus acu un sejas aizsargus.
- Pārliecinieties, vai citas personas darba zonā lieto atbilstošus acu un sejas aizsardzības līdzekļus. Pat niecīgākās atlūzas var radīt acs traumu un izraisīt aklumu.
- Pārbaudiet, vai darba detaļa ir droši piestiprināta.

Ekspluatācijas riski

- Kārtīgi nostipriniet instrumentu.
- Pirms darba detaļas noņemšanas pārliecinieties, ka instruments ir pilnīgi apstājies.
- Obligāti ierīkojiet mašīnai palaišanas, apturēšanas un avārijas apturēšanas vadības ierīces; šajā sistēmā jābūt integrētam arī motoram/momentdzinējam.

Trokšņa radīti riski

- Augsts skaņas līmenis var izraisīt pastāvīgu dzirdes zudumu un citas problēmas, piemēram, dzīvēstēšanu. Izmantojiet piemērotus ausu aizsardzības līdzekļus, kā to nosaka jūsu darba devējs vai darba drošības un veselības aizsardzības noteikumi.
- Lai izvairītos no nevajadzīga trokšņa līmeņu pieauguma, lietojiet instrumentu, veiciet tā apkopi, izvēlieties un nomainiet piederumus un ekspluatācijas materiālus un veiciet to apkopi saskaņā ar šo lietošanas rokasgrāmatu.

Darba vietas riski

- Slīdēšana/aizķeršanās/nokrišana ir viens no galvenajiem smagu traumu vai nāves cēloņiem. Uzmanieties no šļūtenes likumiem, kas var būt atstāti uz darba virsmas vai grīdas.
- Izvairieties no putekļu vai dūmu ieelpošanas vai darba ar gružiem, kas var kaitēt veselībai (piemēram, kaitēt grūtniecībai, izraisīt vēzi, astmu un/vai dermatītu). Strādājot ar materiāliem, kas izplata gaisā daļiņas, lietojiet putekļu ekstrakcijas un elpošanas aizsarglīdzekļus.

- Daži putekļi, kas rodas pulēšanas, zāģēšanas, slīpēšanas, urbšanas un citu būvdarbu rezultātā satur ķīmiskas vielas, kas Kalifornijas štatam zināmas, kā vēža, iedzimtu defektu un citu reproduktīvu kaitējumu izraisītājas. Tālāk doti daži piemēri:

- svins no svīnu saturošām krāsām;
- kristāla silīcija gabaliņi, cements un citi mūrēšanas produkti;
- arsēns un hroms no ķīmiski apstrādātas gumijas.

Šo iedarbību risks atšķiras atkarībā no tā, cik bieži jūs darāt šo darbu. Lai samazinātu šo ietekmi no šīm ķīmiskajām vielām: strādājiet labi vēdinātās vietās un lietojiet apstiprinātas aizsargiekārtas, piemēram, putekļu aizsargmaskas, kas speciāli izstrādātas, lai filtrētu mikroskopiskas daļiņas.

- Svešā darba vidē darbojieties uzmanīgi. Strādājot uzmanieties no potenciālas bīstamības, kas var rasties jūsu darbības rezultātā. Šis instruments nav nodrošināts pret saskari ar elektrisko strāvu vadošiem elementiem.

Zīmes un uzlīmes

Produktam ir zīmes un uzlīmes, kas satur svarīgu informāciju par personisko drošību un produkta apkopi. Zīmēm un uzlīmēm vienmēr jābūt viegli salasāmām. Jaunas zīmes un uzlīmes var pasūtīt, izmantojot rezerves daļu sarakstu.



s011050

ATEX sertifikācijas informācija

ATEX koda definīcija

ATEX kods ir:



Ex II 2 G Ex h IIC T6 Gb

Ex II 2 D Ex h IIIC T85°C Db

°C ≤ Ta ≤ 40 °C

Apraksts	Vērtība	Definīcija
Aprīkojuma grupa	II	Virsmu ražotne
Aprīkojuma kategorija	2	Augsts aizsardzības līmenis
II grupa		<ul style="list-style-type: none"> • 1. zona (gāze) • 2. zona (gāze) • 21. zona (putekļi) • 22. zona (putekļi)
Atmosfēra	G	Atmosfēra, kas satur gāzi, tvaikus vai miglu
	D	Atmosfēra, kas satur putekļus

Apraksts	Vērtība	Definīcija
Drošības izstrādes	h	Mehāniskis produkts
Gāzes grupa	IIC IIB	Ūdeņradis/acetilēns Etilēns
Putekļu grupa	IIIC	Virsmas uzliesmojoši putekļi
Maksimālā virsmas temperatūra gāzes atmosfērā		T1 = 450 °C T2 = 300 °C T3 = 200 °C T4 = 135 °C T5 = 100 °C T6 = 85 °C
Maksimālā virsmas temperatūra putekļu atmosfērā		Paraugtemperatūras: T85 °C T110 °C T120 °C T125 °C T240 °C
Īpašs ierobežojums, X piemēram, apkārtējās temperatūras diapazons.		

Temperatūra

- Maksimālā vides temperatūra, pie kuras sertifikāts ir derīgs, ir 40°C.
- 40°C ir arī maksimālā pieļaujamā saspīestā gaisa temperatūra, kad tas ieplūst produktā.
- Ja produkts tiek uzstādīts iekārtā, visai iekārtai jāatbilst 2014/34/ES vadlīnijām.
- Pārliecinieties, ka saspīestais gaiss atbilst mūsu kvalitātes prasībām (kvalitātes klases 2.4.3. un 3.4.4 attiecīgi 3.5.4 saskaņā ar ISO/DIS 8573-1:2010).
- Nepārsniedziet 6,3 bāru maksimālo atļauto spiedienu vai to, kas norādīts produkta datu plāksnītē. Darba spiediena pārsniegšana var palielināt virsmas temperatūru augstāku apgriezīgu dēļ, un produkts var kļūt par aizdegšanās avotu.

Sprādzienbīstamības klasifikācija

Ja produkts ir daļa no mezgla, kura komponentiem ir dažādas sprādzienbīstamības kategorijas, komponents ar zemāko drošības līmeni nosaka visa mezgla sprādzienbīstamības kategoriju.

Sprādziendrošības vadlīnijas

Tīrība

- Pārliecinieties, ka produkts tiek glabāts no putekļiem un netīrumiem tīrā vietā, lai nepieļautu palielinātu gultņu un virsmas temperatūru.

- Ja izmantojat klusinātāju: Pārliecinieties, ka uz gaisa izvada ir uzstādīts klusinātājs ar filtrēšanas efektu, lai neļautu frikcijas uzkarstētām daļiņām iekļūt apkārtējā atmosfērā.

Pielietojums

- Pārliecinieties, ka produkts ir iezemēts pie remontdarbnīcas izlīdzinātājsavienojuma sistēmas, piemēram, ar tādu piemērotu aprīkojumu kā šļūtenēm un pneimatiskajiem savienojumiem.
- Lietotāja pienākums ir pārliecināties, ka visi produkta piederumi, piemēram, uzgriežņatslēgas un pneimatiskie savienojumi atbilst attiecīgajai valstī spēkā esošajiem noteikumiem par aprīkojuma lietošanu potenciāli sprādzienbīstamās zonās.

Noderīga informācija

Vietne

Informāciju par mūsu produktiem, piederumiem, rezerves daļām un publicētajiem materiāliem var atrast Atlas Copco tīmekļa vietnē.

Lūdzu, apmeklējiet: www.atlascopco.com.

ServAid

ServAid ir portāls, kas tiek pastāvīgi atjaunināts un satur tehnisko informāciju, piemēram:

- Reglamentatīvā un drošības informācija
- Tehniskie dati
- Uzstādīšanas, lietošanas un apkopes instrukcijas
- Rezerves daļu saraksti
- Piederumi
- Izmēru rasējumi

Lūdzu, apmeklējiet: <https://servaid.atlascopco.com>.

Lai saņemtu papildu tehnisko informāciju, lūdzu, sazinieties ar savu vietējo Atlas Copco pārstāvi.

技术数据

技术数据

订购号	8411046413
型号	LZB46-L-AR0004-11
最大输出时的空气消耗量	14 l/s
最大输出时的空气消耗量	29.7 cfm
制动扭矩	Nm
制动扭矩	ft lb
内置制动器	No
外部部件材料	Hardened steel/Aluminium
空载速度	35 r/min
最大输出	0.59 kW
最大输出	0.79 hp
最小启动扭矩	388 Nm

最小启动扭矩	286 ft lb
比值	
齿轮比	
旋转方向	Reversible
轴荷载规范	h
轴类型	Keyed
最大输出时的速度	20 r/min
失速扭矩	574 Nm
失速扭矩	423 ft lb
最大输出时的扭矩	287 Nm
最大输出时的扭矩	212 ft lb
叶片类型	Lubrication free
重量	4.9 kg
重量	10.8 lb
进气软管	10 mm
进气软管	0.4 in
异物防护等级	IP66
出气软管	16 mm
出气软管	0.6 in

IP 等级

气动马达的 IP 等级指符合 IEC 60529 标准的机械外壳。IP 等级不包括耐腐蚀性或清洁淡水以外的任何液体。

声明

EU 组合声明

我们 Atlas Copco Industrial Technique AB, SE-105 23 STOCKHOLM SWEDEN 全权声明, 本产品 (名称、型号和序列号, 请见首页) 符合机械指令 2006/42/EC 的以下基本要求:

2006/42/EC (Annex I, clauses 1.1, 1.2 (excluding 1.2.4.3), 1.3, 1.4, 1.5, 1.6, 1.7)

并且此半成品机械设备符合以下其他欧盟指令的相关规定:

2014/34/EU (ATEX)

对于此半成品机械设备, 在声明已依照机械指令 2006/42/EC 的相应规定将其组装为成品机械设备之前, 不得投入使用。

已应用以下 (部分/条款) 欧洲协调标准:

EN 1127-1:2019, EN ISO 12100:2010, EN ISO 80079-36:2016, EN ISO 80079-37:2016

相关技术文档的编写和传达符合丹麦 Notified Body ExVeritas ApS (欧盟识别号 2804) 中的机械指令 2006/42/EC 附录 VII 部分 B 和 ATEX 指令 2014/34/EU 条款 13 (1) b) ii。机构可从下方获取 ATEX 指令 2014/34/EU 的纸质技术文档:

<https://www.exveritas.com/2022/02/02/what-you-need-for-atex-and-ukca-explosive-atmosphere-certification-for-the-uk-and-eu-markets/>

Stockholm, 1 September 2023

Håkan Andersson, Managing Director

发布者签名



有关 REACH 第 33 条的信息

欧洲法规 (EU) No. 1907/2006 化学品的注册、评估、授权和限制 (REACH) 定义了与供应链中通信相关的要求。信息要求也适用于含有所谓高度关注物质 (“候选列表”) 的产品。2018 年 6 月 27 日, 铅金属 (CAS 编号 7439-92-1) 被纳入候选列表。

根据上述要求, 特此通知您产品中的某些机械部件可能含有铅金属。这符合现行的物质限制法规, 并基于 RoHS 指令 (2011/65/EU) 中的合法豁免。在正常使用过程中, 铅金属不会从产品中泄漏或突变, 并且整个产品中的铅金属浓度远低于适用的阈值限制。请考虑当地对产品寿命终止时铅处置的要求。

区域性要求

警告

该产品可能会使您暴露于化学物质 (包括铅), 加利福尼亚州已明确铅可导致癌症和先天缺陷或其他生殖危害。更多信息请访问

<https://www.p65warnings.ca.gov/>

安全

切勿丢弃 – 请交给使用者

警告 阅读随本产品提供的所有安全警告、说明、图解和规格。

不遵守下列全部说明可能导致电击、火灾、财产损失和/或严重的伤害。

保存所有警告和说明书以备查阅。

警告 安装、操作以及维护过程中必须始终遵守当地的安全法规。

使用声明

- 仅供专业使用。
- 此产品及其附件不得以任何形式进行改造。
- 如果此产品已损坏, 则不得使用。
- 如果产品上的产品数据或危险警示牌不再清晰可读或已脱落, 请立即更换。
- 该产品必须只能由具有相关资质的人员在工业环境中安装、操作和维护。

预期用途

此电机设计用于安装在固定或移动设备上。它可以仅向右旋转、仅向左旋转或进行可逆转动, 并应仅通过法兰或螺纹接口进行安装, 具体视情况而定。不得用于其它用途。

电机成为潜在爆炸性环境的引燃源的风险微乎其微。使用者应负责评估与装有电机的整台设备相关的风险。

产品特定说明

警告

警告 聚合物危害

本产品中的叶片含有 PTFE (一种合成氟聚合物)。由于磨损, PTFE 微粒可能会附在产品中。加热的 PTFE 会产生浓烟, 这可能会导致症状类似于流感的聚合物烟雾热, 尤其是在吸受到污染的烟草时。

操纵叶片和其他部件时, 必须遵循 PTFE 的健康安全建议:

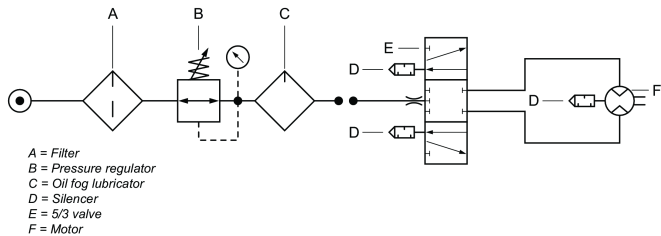
- ▶ 维修此产品时请勿吸烟
- ▶ PTFE 微粒不得与明火、灼热物或高温物接触
- ▶ 马达部件必须用清洗液清洗, 而不能使用空气管吹净
- ▶ 进行任何其他操作之前请洗净双手

IP 等级

气动马达的 IP 等级在加压状态下设定, 不包括出气口或附带的消音器。如果电机在水下或沉重的水喷嘴中运行, 建议借助软管使出气口远离水。浸没在水下时, 始终使马达的压力高于相应深度。

安装图

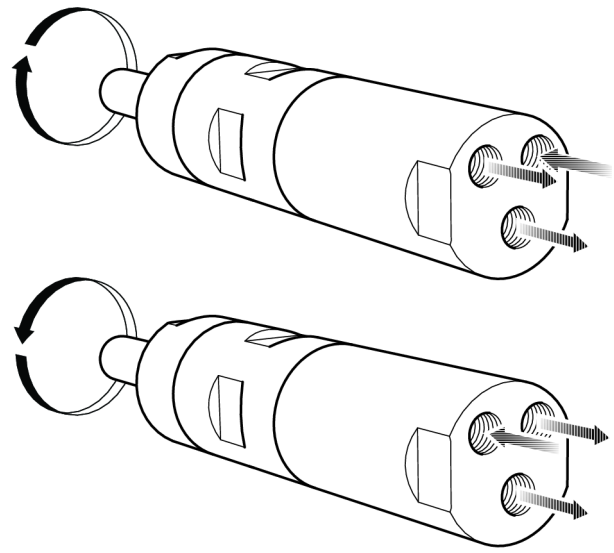
可逆转型马达



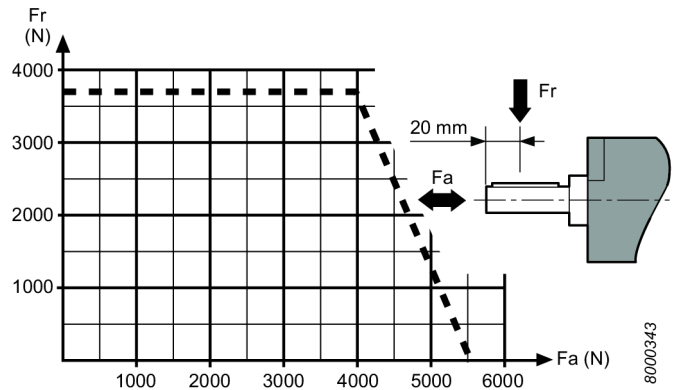
连接气源

当压缩气源连接到进气口时, 旋转方向将如下图所示。如果要排出废气, 应在废气出气口处连接一根软管。

应将压缩气源连接到所需旋转方向对应的进气口, 请参见下图。未使用的进气口可以充当其他出气口, 切不可被塞住。



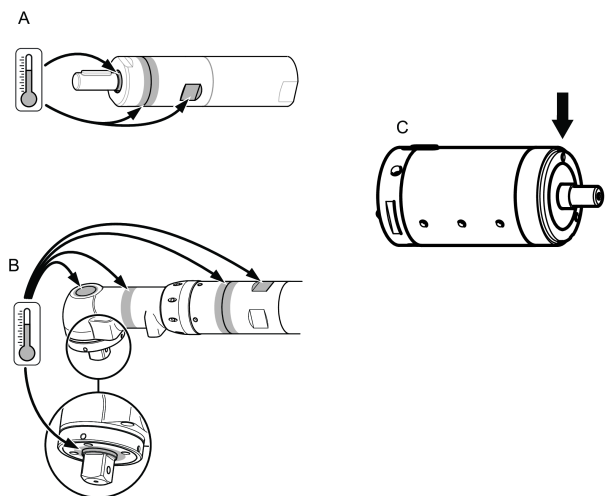
轴载荷示意图



聚热区

马达上的以下耐热部件可在运转期间达到高温: 该图显示了特定型号的耐热部件:

- 输出轴密封圈 (A, B, C)
- 前部和齿圈之间的接合处 (A, B)
- 按键 (A, B)



马达在全压空载运行时, 温度将达到最高。随着扭矩的增大, 气动马达的旋转速度和温度将会降低。

警告

使用此马达前，请确保您已熟悉其操作说明。

此马达及其附件和配件只能用于其设计用途。

出于产品责任及安全原因，对马达或其配件进行可能会影响到产品责任的改造，必须获得制造商技术权威部门的同意。

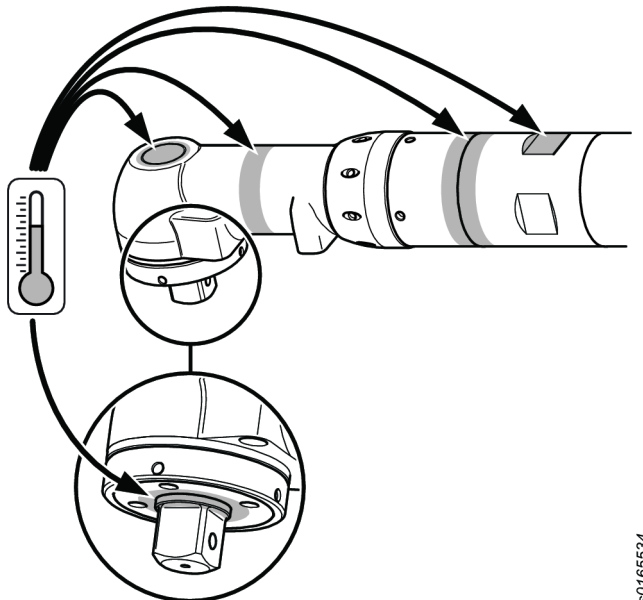
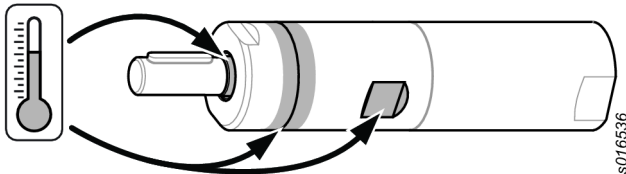
为了避免出现个人伤害和长期风险，请遵循下列操作：

- 如果马达获得 ATEX 认证，则过滤器/消音器必须安装在马达排气口位置。
建议在其他应用中也使用消音器，以减少噪音暴露。
- 在进行任何调整操作之前，将马达从空气管断开。
- 当心您的双手、头发和衣服，应与机器的旋转部件保持足够距离。

维护

- 只有拥有授权的人员才能维护与维修该 ATEX 产品，完成维护与维修之后必须进行空载测试和针对耐热部件（如图所示）的温度测量，并将相关情况记录在报告中。

进行 5 分钟空载测试后，表面温度不得超过 45°C + 周边温度之和，其中周边温度可在 0–40°C 之间变化。

**常规安全说明****空气供给和连接危险**

- 压缩空气可能造成严重伤害。
- 在更换附件或者进行维修之前，若不使用工具，务必始终关闭气源、释放管中气压并断开工具与气源的连接。
- 任何时候不得将压缩空气对准自己或他人。

- 甩动的软管可造成严重的伤害。请务必检查软管和管件是否损坏或松动。
- 不得超过最大空气压力 6.3 bar / 90 psig，也不得超过工具铭牌上注明的压力值。

缠绕危险

- 远离旋转驱动装置。操作工具或配件时不得穿着宽松的衣服、戴手套、佩戴首饰、项链，并应整理好头发，否则可能发生窒息、撕脱头皮和/或划伤。

抛射物危险

- 进行工具的操作、修理或维护工作或者更换工具附件或靠近操作现场时，要戴上耐冲击的眼部和面部护具。
- 要确认该区域的所有其他人都已戴上耐冲击的眼部和面部护具。即使较小的抛射物也可能对眼睛造成伤害并导致失明。
- 确保工件牢固固定。

操作危险

- 牢固地夹紧工具。
- 在取下工件之前，确保工具已完全停止。
- 始终为装有电机/力矩电机的设备安装启动、停止和紧急制动控制装置。

噪声危险

- 极高的声音强度可能会导致永久性的听力受损，以及诸如耳鸣的其他问题。使用您的用人单位或职业健康和安全法规推荐的听力保护用具。
- 为防止不必要的噪音增大，请按照本说明手册操作和维护工具，并选择、维护和更换附件及消耗品。

工作场所的危险

- 滑倒/绊倒/跌倒是造成严重伤害或死亡的一个主要原因。要注意地面上或者工件台面上多余的管子。
- 避免在工作过程中吸入粉尘或烟雾，或触碰碎屑，这些情况可能引起健康问题（例如，癌症、出生缺陷、哮喘和/或皮炎）。在处理可产生尘埃颗粒的材料时，请使用吸尘装置并戴上呼吸防护设备。
- 砂磨、锯切、打磨、钻孔等生产活动所产生的某些粉尘可能含有加州当局已知的可能导致癌症、先天性缺陷或其他生殖伤害的化学物品，例如：
 - 铅基涂料中的铅
 - 结晶硅砖和水泥以及其他泥工产品
 - 经过化学处理的橡胶中含有的砷和铬

您暴露于这些化学物质的风险因您做该类工作的频率而异。为了降低您暴露于这些化学物质的风险，请注意下列事项：应该在通风良好的区域内工作，并使用经过核准的安全设备，比如专用的可以滤掉微粒的防尘面罩。

- 在不熟悉的环境中，请谨慎操作。要清楚您的作业活动可能导致的潜在危险。此工具并未与电源隔离。

标志和贴纸

产品配备的标贴含有个人使用安全和产品维护方面的重要信息。标贴应始终易于阅读。可以使用备件列表订购新标贴。



5011050

ATEX 认证信息

ATEX 代码定义

ATEX 代码是：



Ex II 2 G Ex h IIC T6 Gb
Ex II 2 D Ex h IIIC T85°C Db
°C ≤ Ta ≤ 40 °C

说明	值	定义
设备组	II	工厂用
设备类别	2	高级别保护
第 II 组		<ul style="list-style-type: none"> 区域 1 (气体) 区域 2 (气体) 区域 21 (粉尘) 区域 22 (粉尘)
大气环境	G	含有气体、蒸汽或薄雾的大气环境
	D	含有粉尘的大气环境
安全性设计	h	机械产品
气体组	IIC	氢/乙炔
	IIB	乙烯
粉尘组	IIIC	表面可燃粉尘
含有气体的大气环境中的最大表面温度		T1 = 450°C T2 = 300°C T3 = 200°C T4 = 135°C T5 = 100°C T6 = 85°C
含有粉尘的大气环境中的最大表面温度		示例温度： T85°C T110°C T120°C T125°C T240°C
特别限制，比如环境 X 温度范围。		

温度

- 认证有效的最高周边温度为 40°C。
- 40°C 也是压缩空气通过产品时的最高允许温度。

- 如果产品安装在设备中，则整台设备必须符合 2014/34/EU 准则。
- 确保压缩空气符合我们的质量要求（根据 ISO/DIS 8573-1:2010，质量等级分别为 2.4.3. 和 3.4.4 及 3.5.4）。
- 不得超过 6.3 bar 的最大压力或者产品铭牌上的标称压力。超过工作压力时，由于旋转速度的提升，表面温度可能会上升，产品可能会变成引火源。

防爆等级

如果产品是组合件的一部分，其中包含多个具有不同防爆等级的组件，则整个组合件的防爆等级将由安全级别最低的组件决定。

防爆准则

清洁度

- 确保产品清洁，不含灰尘和污垢，以防轴承和表面温度升高。
- 如果使用消音器：确保排气口处安装了带过滤效果的消音器，以防止周围空气中进入摩擦生热的颗粒。

使用

- 确保使用软管或气压连接装置等附件将产品接地连接至车间的等电位连接系统。
- 用户须自行确保产品及所有可能的附件（例如扳手与空气连接装置），均符合关于在有爆炸危险的区域内所使用的设备方面的国家安全法规。

有用的信息

网站

有关我们的产品、配件、备件和已发布事项的信息，请访问 Atlas Copco 网站。

请访问：www.atlascopco.com。

ServAid

ServAid 是一个持续更新的门户网站，含有技术信息，例如：

- 法规和安全信息
- 技术数据
- 安装、操作和维修说明
- 备件列表
- 附件
- 尺寸图

请访问：<https://servaid.atlascopco.com>。

如需进一步的技术信息，请联系您当地的 Atlas Copco 代表。

技術データ

技術データ

オーダー番号	8411046413
型式	LZB46-L-AR0004-11
最大出力での空気消費量	14 l/s
最大出力での空気消費量	29.7 cfm
制動トルク	Nm
制動トルク	ft lb
ビルトインブレーキ	No
外付けパーツ材料	Hardened steel/Aluminium
無負荷回転数	35 r/min
最大出力	0.59 kW
最大出力	0.79 hp
最小始動トルク	388 Nm
最小始動トルク	286 ft lb
比	
変速比	
回転方向	Reversible
シャフト負荷コード	h
シャフトタイプ	Keyed
最大出力時回転数	20 r/min
ストールトルク	574 Nm
ストールトルク	423 ft lb
最大出力時トルク	287 Nm
最大出力時トルク	212 ft lb
ベーンタイプ	Lubrication free
重量	4.9 kg
重量	10.8 lb
入口ホース	10 mm
入口ホース	0.4 in
IP保護等級	IP66
出口ホース	16 mm
出口ホース	0.6 in

IP 等級

工アモーターの IP 等級は機械ケーシングが IEC 60529 規格に準じていることを示します。IP 等級は、清浄な真水以外の液体に対する耐腐食性を網羅するものではありません。

宣言

EU適合宣言

弊社Atlas Copco Industrial Technique AB, SE-105 23 STOCKHOLM SWEDENは、弊社製品（名称、型式、シリアル番号、表紙参照）が機械指令2006/42/ECの次の必須要件を満足していることを、弊社の単独責任の下で宣言します。

2006/42/EC (Annex I, clauses 1.1, 1.2 (excluding 1.2.4.3), 1.3, 1.4, 1.5, 1.6, 1.7)

また、この部分的に完成した機械は、次のその他のEU指令の規定に準拠していることを宣言します。

2014/34/EU (ATEX)

この部分的に完成した機械は、組み込まれる最終機械が必要に応じて機械指令2006/42/ECの規定に従って宣言されるまで、使用を開始してはなりません。

欧州整合規格の以下の部分/条項が適用されています。

EN 1127-1:2019, EN ISO 12100:2010, EN ISO 80079-36:2016, EN ISO 80079-37:2016

該当する技術文書は編纂されており、デンマークの認証機関 ExVeritas ApS (EU 識別番号 2804) において、機会指令 2006/42/EC Annex VII のパート B および ATEX 指令 2014/34/EU の第 13 条 (1) b) ii に従って伝達されました。当局は以下から ATEX 指令 2014/34/EU に関連する技術情報を文書形式で取得できます：

<https://www.exveritas.com/2022/02/02/what-you-need-for-atex-and-ukca-explosive-atmosphere-certification-for-the-uk-and-eu-markets/>

Stockholm, 1 September 2023

Håkan Andersson, Managing Director

発行者による署名



REACH第33条に関する情報

化学物質の登録、評価、認可および制限に関する欧州 (EU) 規制第1907/2006号 (REACH) は、とりわけサプライチェーンにおけるコミュニケーションに関する要件を定義しています。情報要件は、いわゆる「高懸念物質 (SVHC)」(「候補リスト」) を含む製品にも適用されます。2018年6月27日に、鉛金属 (CAS番号 7439-92-1) が候補リストに追加されました。

本書は、製品の特定の機械部品が鉛金属を含む可能性があることを、上記に従ってお知らせすることを目的としています。これは現行の化学物質規制法に準拠しており、RoHS指令 (2011/65/EU) の合法的免除に基づいています。通常の使用中に鉛金属が製品から漏れたり、変化することはありません。また、製品全体の中の鉛金属の濃度は、該当する限界値をはるかに下回ります。製品の寿命終了時における鉛の処理に関する地域の要件をご考慮ください。

地域の要件

⚠ 警告

本製品によって、カリフォルニア州において癌や出生異常、その他生殖能への悪影響を引き起こすことが知られている鉛などの化学物質に晒されることがあります。詳細情報については<https://www.p65warnings.ca.gov/> をご覧ください。

<https://www.p65warnings.ca.gov/>

安全

捨てないでください - ユーザに渡してください

⚠ 警告 本製品に付属するすべての安全警告、指示、図、仕様をお読みください。

以下に列記したすべての指示に従わない場合、感電、火災、物的損害および/あるいは重傷に至る危険性があります。

今後の参考のために、すべての警告と注意事項を保管しておいてください。

⚠ 警告 設置、運転、およびメンテナンスに関連する、地域で制定された安全基準は常に順守されなければなりません。

使用に関するステートメント

- 業務用専用です。
- 本製品とその付属品は絶対に改造しないでください。
- 損傷している場合は本製品を使用しないでください。
- 本製品のツールデータ、危険性の警告サインの読み取りができなくなったり、外れている場合、即座に交換してください。
- 本製品は、工業的環境において有資格の担当者のみが設置、操作、修理するようにしてください。

使用目的

このモータは固定機械または可動機械に組み込むよう設計されています。右回転のみ、左回転のみ、または可逆回転のいずれかであり、フランジまたはねじ付きノーズだけで適宜取り付けてください。その他の用途での使用は許可されていません。

爆発する可能性のある環境下でモータが引火源になる危険性はほとんどありません。モータを組み込む機械全体に関わる危険性について評価を行うのはユーザーの責任となります。

製品の詳細説明書

警告

⚠ 警告 ポリマーの危険性

本製品のベーンには PTFE (合成フッ素重合体) が含まれています。摩耗により PTFE 粒子が製品内に残っている場合があります。PTFE は加熱されると、特に汚染されたタバコを吸った場合など、インフルエンザに似た症状のポリマーヒューム熱を引き起こす場合があります。

ベーンおよび他の構成部品を扱う際には、PTFE に対する安全衛生勧告に従わなければなりません。

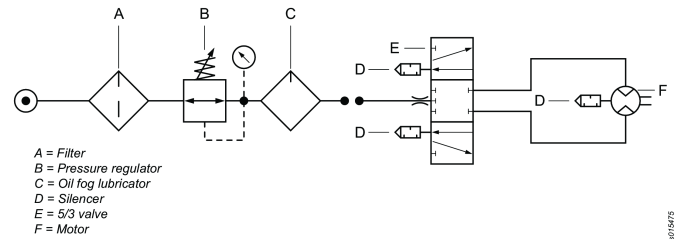
- ▶ 本製品のメンテナンスの際には喫煙しないでください。
- ▶ PTFE 粒子が炎やグロー放電や熱に触れないようにしてください。
- ▶ モータ部品は洗浄液で洗い、送気管の風を当てないでください。
- ▶ 他の作業を始める前には手を洗ってください。

IP 等級

エアモータの IP 等級は加圧状態において定められたもので、排気口または取り付けられたサイレンサーは除外されます。モータが水中に沈んだ状態、または強い噴流に晒された状態で作動する場合、ホースで排気口に水がかからないようにすることが推奨されます。水中に沈める場合、モータの圧力を、沈んだ深さでかかる圧力よりも常に高圧にするようにしてください。

設置図

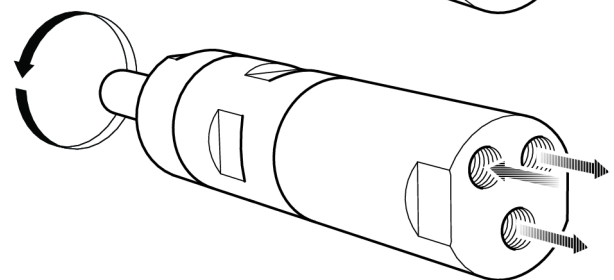
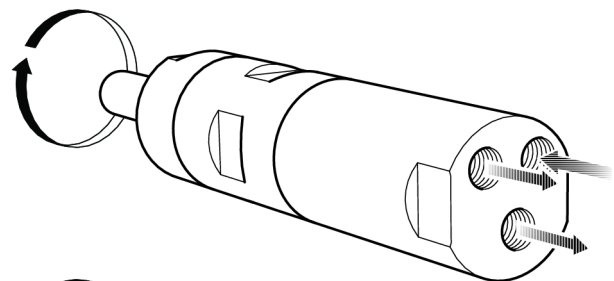
可逆モータ



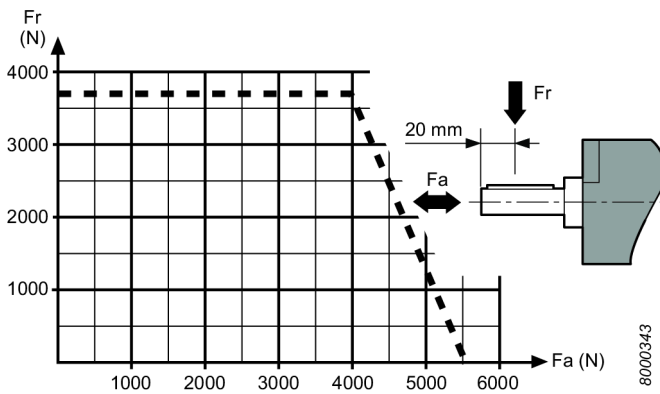
空気供給口の接続

圧縮空気供給口を吸気口に接続する場合、回転方向は下図に示すとおりとなります。排気をパイプで送り出す場合、ホースを排気口に接続する必要があります。

圧縮空気供給口は、所望の回転方向の対応する入口に接続する必要があります (下図参照)。使用していない吸気口は、追加の吐出口として機能するため、ふさがないでください。



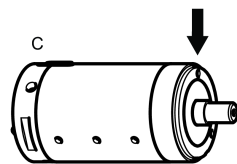
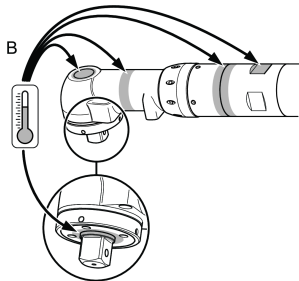
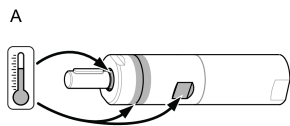
軸荷重図



ホットスポット

モーターの次のホットスポットは、動作中に高温になることがあります：画像は特定の型式におけるホットスポットを示します。

- 出力シャフトのシールリング (A、B、C)
- フロント部分とギアリング間のジョイント (A、B)
- キーグリップ (A、B)



モーターは無負荷の状態で作動しているときに最高気温になります。トルクが増加すると、空気モーターは回転数と温度を低下させます。

警告

本モーターを使用する前に、操作説明を十分理解してください。

本モーター、そのアタッチメント、および付属品は、本来設計された目的でのみ使用してください。

製造物責任および安全のために、モーター、そのアタッチメント、もしくは付属品に対して製造物責任に影響を与える可能性のある改造を行うには、あらかじめメーカ認定技術者の承認がなければなりません。

人身事故および長期的な危険を防止するために：

- モーターがATEX証明を受けている場合、モーターの出口ポートにフィルタ/サイレンサを取り付けなければなりません。

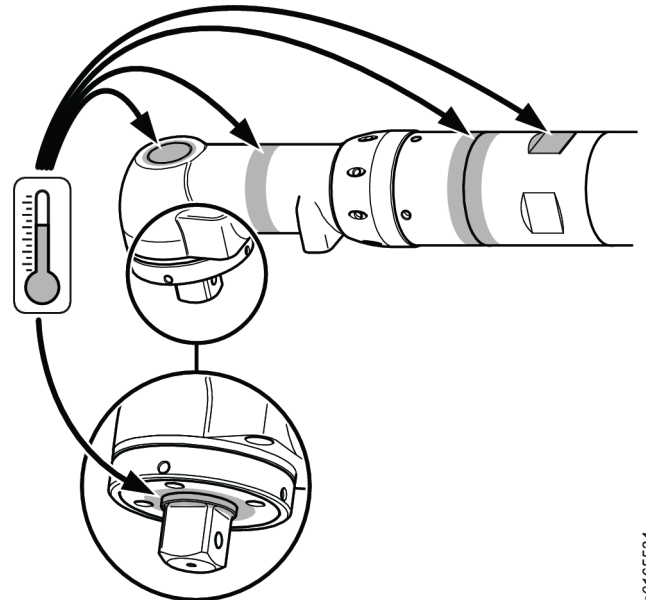
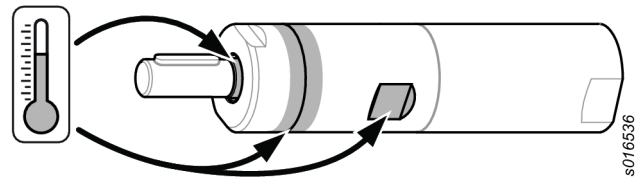
サイレンサは、他の使用条件下でも騒音を低減させるために推奨されています。

- 調整動作を行う前に空気ラインからモーターを外します。
- 手、髪の毛、および衣服を回転部品に近づけないよう、常に気をつけてください。

メンテナンス

- このATEX製品のメンテナンスや修理は、認定された作業者が必ず行うこととし、その後、無負荷試験とホットスポット (図参照) の温度測定を行い、報告書に記録してください。

5分間の無負荷試験後、表面温度は 45°C + 周囲温度の合計を超えてはいけません。ここで周囲温度は $0 - 40^{\circ}\text{C}$ の範囲で変化することがあります。



一般的な安全に関する注意事項

給気と接続の危険性

- 空圧は重大な怪我の原因となることがあります。
- 使用していないとき、アクセサリ交換前、修理時には必ず給気を切り、空圧のかかったホースを排気し、ツールを給気口から外してください。
- エアを決して自分または他の人に向けないでください。
- ホースがゴムのように跳ねると、大きなケガを引き起こす可能性があります。ホースや取付具の損傷や弛みを必ず点検してください。
- 6.3 bar/90 psig またはツールの銘板に書かれている最高空圧を超えないようにしてください。

絡まりの危険性

- ・ 回転している駆動部から離れてください。ルーズな衣服、手袋、装身具、ネックレス、頭髮などを工作機械および付属機器に近づけないようにしないと、機械詰まり、頭皮の引き込み、裂傷などを引き起こす原因になります。

飛散物の危険性

- ・ ツールの操作、修理、保守の際、あるいはツールのアクセサリを交換する際、または、その近くにいる場合、必ず目と顔を守る耐衝撃性防具を着用してください。
- ・ 同じ場所にいるほかの全員も、耐衝撃性のある目と顔の保護装備を装着してください。小さな飛散物であっても目を傷つけて失明の原因となります。
- ・ ワークピースがしっかりと固定されているか確認してください。

操作に伴う危険性

- ・ ツールをしっかりと固定してください。
- ・ >ワークピースを取り外す際は、ツールが完全に停止していることを確認してください。
- ・ モータ/トルクモータが組み込まれる機械には始動・停止・非常停止制御装置を必ず取り付けてください。

騒音の危険性

- ・ 高サウンドレベルにより永久に聴力が失われたり、耳鳴りなどの問題が生じることがあります。ご自身の雇用者、または職業上の健康と安全のための規定で推奨される防音用耳栓を使用してください。
- ・ 騒音のレベルが不必要に高くないようにするには、本取扱説明書にしたがってツールを操作、保守し、アクセサリや消耗品を選択、保守、交換します。

作業場の危険性

- ・ 滑ること、つまづくこと、転倒が重大なケガや死亡事故の主な原因です。歩く所や作業場の床に置いたままの余分なワイヤーに気をつけてください。
- ・ 作業の過程で出るホコリを吸い込んだり、破片に手で触れないでください。健康上有害となる可能性があります(癌、出生異常、喘息、皮膚炎など)。浮遊粒子の生じる物質を扱う作業では、集塵機を使用し、呼吸用保護具を装着してください。
- ・ 動力を使った研磨、切断、研削、穴あけ、その他の建築作業で生じるホコリには、カリフォルニア州において、癌や出生異常その他生殖への危害を引き起こすことが知られている化学物質が含まれている場合があります。以下は、そうした化学物質の例です：
 - ・ 鉛入りの塗料から出る鉛
 - ・ 結晶シリカのレンガやセメントその他の築壁用製品
 - ・ 化学処理したゴムに由来する砒素およびクロム
 こうしたものに曝されることによる危険性は、この様な作業をどれほど頻繁に行うかによって異なります。こうした化学物質への曝露を低減するには、十分な換気が行われている場所で作業し、微細粒子を除去する特殊設計の防塵マスク等の認可された安全機器を使って作業を行ってください。

- ・ 慣れない環境で作業する場合は、細心の注意を払ってください。作業によって生じる可能性のある危険に注意を払ってください。このツールは、電源と接触する場合に対して絶縁されていません。

サインとステッカー

本製品には、個人の安全および製品のメンテナンスに関する重要な情報を記載した表示とステッカーがあります。表示とステッカーは、常に読みやすいものでなければなりません。スペアパーツリストで、新しい表示とステッカーをご注文いただけます。



S017050

ATEX認定情報

ATEXコード定義

ATEXコードは次のとおりです。

	Ex II 2 G Ex h IIC T6 Gb
	Ex II 2 D Ex h IIIC T85°C Db °C ≤ Ta ≤ 40 °C

説明	値	定義
機器グループ	II	表面産業
機器カテゴリ	2	高レベルの保護
グループII		<ul style="list-style-type: none"> ・ ゾーン1 (ガス) ・ ゾーン2 (ガス) ・ ゾーン21 (ダスト) ・ ゾーン22 (ダスト)
大気	G	ガス、蒸気またはミストを含む大気
	D	ダストを含む大気
安全設計	h	機械製品
ガスグループ	IIC	水素/アセチレン
	IIB	エチレン
ダストグループ	IIIC	表面の可燃性粉塵
ガス大気中の最高表面温度		T1 = 450°C
		T2 = 300°C
		T3 = 200°C
		T4 = 135°C
		T5 = 100°C
		T6 = 85°C

説明	値	定義
ダスト大気中の最高表面温度		温度例： T85°C T110°C T120°C T125°C T240°C
周囲温度範囲など X の特別な制限。		

温度

- 認証が有効な最大周囲温度は 40°です。
- 40°Cはまた、圧縮空気が製品に入った場合の圧縮空気の最大許容温度です。
- ある機器に製品を設ける場合、装置全体は、指針 2014/34/EU に対応しなければなりません。
- 圧縮空気が弊社の品質要求 (ISO / DIS 8573-1 : 2010 に準拠した品質クラス 2.4.3 および 3.4.4、それぞれ 3.5.4) を満たしていることを確認してください。
- 6.3バールの最大圧力、または、製品の銘板に記載した圧力を超えないようにしてください。運転圧力を超えると、高回転数のために表面温度が上がることもあり、製品が発火源になることがあります。

Ex分類

本製品が、異なるEx分類をコンポーネントがもつアセンブリの一部である場合、安全レベルが最も低いコンポーネントがアセンブリ全体のEx分類を定義します。

防爆指針

清浄度

- 軸受と表面温度の上昇を防ぐために、製品にほこりや汚れがなく清潔に保たれていることを確認します。
- 消音器を使用している場合：空気出口にフィルタリング効果のあるサイレンサが設けられており、摩擦加熱された粒子が周囲雰囲気内に入らないことを確認します。

使用法

- 本製品が、ホースなどのアクセサリや空圧接続などによってワークショップの等電位アース装置に接地されていることを確認してください。
- 本製品と、レンチや空気接続など考えられるあらゆるアクセサリが、爆発する危険性のある場所で使用される機器に対する国の安全規制に準拠していることを確認するのはユーザーの責任です。

有用な情報

ウェブサイト

当社の製品、付属品、スペアパーツおよび公表事項に関する情報は、Atlas CopcoのWebサイトにてご覧いただけます。

次をご覧ください：www.atlascopco.com.

ServAid

ServAidは以下のような技術情報を含むポータルで、継続的に更新されます：

- 規制及び安全に関する情報
- 技術データ
- 設置、運転およびサービスに関する注意事項
- 予備部品のリスト
- アクセサリ
- 寸法図面

次をご覧ください：<https://servaid.atlascopco.com>.

詳細な技術情報については、最寄のAtlas Copco代理店までお問い合わせください。

기술 자료

기술 데이터

주문 번호	8411046413
모델	LZB46-L-AR0004-11
최대 출력 시 공기 소모량	14 l/s
최대 출력 시 공기 소모량	29.7 cfm
브레이크 토크	Nm
브레이크 토크	ft lb
내장 브레이크	No
외부 물질	Hardened steel/Aluminium
공회전 속도	35 r/min
최대 출력	0.59 kW
최대 출력	0.79 hp
최소 시작 토크	388 Nm
최소 시작 토크	286 ft lb
비율	
기어비	
회전 방향	Reversible
샤프트 부하 코드	h
샤프트 유형	Keyed
최대 출력 시 속도	20 r/min
엔진 정지 토크	574 Nm
엔진 정지 토크	423 ft lb
최대 출력 시 토크	287 Nm
최대 출력 시 토크	212 ft lb
날개 유형	Lubrication free
중량	4.9 kg
중량	10.8 lb
인입구 호스	10 mm

인입구 호스	0.4 in
유입 보호 등급	IP66
배출 호스	16 mm
배출 호스	0.6 in

IP 등급

모터의 IP 등급은 IEC 60529 표준에 따른 기계적 케이싱을 의미합니다. IP 등급은 내식성을 보장하지 않으며 또한 깨끗한 물 이외의 다른 액체에 대한 보호 기능도 포함하지 않습니다.

선언

EU 법인 선언문 (EU DECLARATION OF INCORPORATION)

Atlas Copco Industrial Technique AB, SE-105 23 STOCKHOLM SWEDEN은(는) 이 제품(이름, 종류 및 일련번호 포함, 일면 참조)이 기계 지침 2006/42/EC의 필수 요건을 충족하고 있음을 당사의 전적인 책임 하에 선언합니다.

2006/42/EC (Annex I, clauses 1.1, 1.2 (excluding 1.2.4.3), 1.3, 1.4, 1.5, 1.6, 1.7)

이 반제품 기계류는 다음 기타 EU 지침(들)의 조항을 준수합니다:

2014/34/EU (ATEX)

이 반제품 기계류는 향후 동조될 완제품 기계류가 기계 지침 2006/42/EC의 조항을 준수한다고 선언될 때까지 서비스 대상으로 분류되어서는 안 됩니다.

다음과 같은 유럽 공통 표준(유럽의 부속 문서)이 적용되었습니다.

EN 1127-1:2019, EN ISO 12100:2010, EN ISO 80079-36:2016, EN ISO 80079-37:2016

관련 기술 문서가 작성되어 활용할 수 있으며 덴마크 내 인증기관 ExVeritas ApS (EU 식별번호 2804)에서 Annex VII의 기계류 지침 2006/42/ EC part B 및 ATEX Directive 2014/34/ EU 13조 (1) b)항에 따라 전달 받았습니니다. ATEX Directive 2014/34/EU에 대한 기술 파일은 당국만 서면으로 요청할 수 있음:

<https://www.exveritas.com/2022/02/02/what-you-need-for-atex-and-ukca-explosive-atmosphere-certification-for-the-uk-and-eu-markets/>

Stockholm, 1 September 2023

Håkan Andersson, Managing Director

발급자 서명



REACH 33조에 관한 정보

등록, 평가, 허가 및 화학 물질 규제(REACH: Registration, Evaluation, Authorization and restriction of Chemicals)에 관한 유럽 규정 (EU) No. 1907/2006은 공급망에서 커뮤니케이션과 관련된 요구 사항을 정의합니다. 정보 요구 사항

은 소위 매우 우려가 되는 물질(이하 “후보목록”)이 포함된 제품에도 적용됩니다. 2018년 6월 27일 납 금속(CAS no 7439-92-1)이 후보 목록에 추가되었습니다.

위의 내용에 의거하여 제품의 특정 기계 부품에 납 금속이 포함될 수 있음을 알려드립니다. 이는 현재의 물질 제한 법안에 적법하며 RoHS 지침(2011 / 65 / EU)의 합법적 면제에 근거합니다. 납 금속은 정상적인 사용 중에는 제품에서 누출되거나 변이가 되지 않으며, 완제품에서 납 금속의 농도는 적용 기준 한계보다 훨씬 낮습니다. 제품 폐기시 납의 폐기에 대한 현지 요구 사항을 고려하십시오.

지역 요구 사항

⚠ 경고

이 제품을 사용하면 캘리포니아 주에서 보고된 암 및 선천적 장애 또는 기타 출산 장애를 유발하는 납을 포함한 화학 물질에 노출될 수 있습니다. 자세한 정보는 <https://www.p65warnings.ca.gov/> 웹 사이트를 참조하십시오.

<https://www.p65warnings.ca.gov/>

안전

버리지 마십시오 – 사용자에게 주십시오

⚠ 경고 이 제품과 함께 제공되는 모든 안전 경고, 지침, 그림 및 사양을 읽으십시오.

아래 나열된 지침을 모두 따르지 않으면 감전, 화재, 재산의 손해 및/또는 심각한 부상이 발생할 수 있습니다.

나중에 참조할 수 있도록 모든 경고와 지침을 보관하십시오.

⚠ 경고 설치, 운영 및 유지보수에 대해 지역별로 지정된 안전 규칙은 언제나 지켜야 합니다.

용도 선언

- 전문 용도로만 사용하십시오.
- 이 제품과 그 부속품을 변형시켜서는 안 됩니다.
- 이 제품이 손상된 경우 사용하지 마십시오.
- 제품 데이터 또는 위험 경고 징후가 보이거나 확실한 경우, 기다리지 말고 즉시 교체하십시오.
- 이 제품은 산업용 조립 환경에서 자격을 갖춘 담당자만 설치, 작동 및 수리할 수 있습니다.

용도

이 모터는 고정식 기계 또는 이동식 기계에 추가하도록 설계되어 있습니다. 이는 왼손잡이 전용, 오른손잡이 전용 또는 회전 방향으로 전환할 수 있는 버전으로 제공되며 경우에 따라 플랜지 또는 스레드 노즈에 의해 장착되어야 합니다. 다른 용도는 허용되지 않습니다.

모터가 폭발 가능성이 있는 대기의 점화원이 될 위험성은 매우 낮습니다. 모터가 추가될 기계 전체와 관련된 위험을 평가할 책임은 사용자에게 있습니다.

제품별 설명

경고

⚠ 경고 폴리머 위험

이 제품의 날개에는 PTFE(합성 불소고분자)가 함유되어 있습니다. 마모 때문에 PTFE 입자가 제품 내부에 존재할 수 있습니다. 가열된 PTFE(합성 불소고분자)는 독감과 비슷한 증상을 동반하는 중합체 증기열의 원인 물질인 연기를 발생시킬 수 있으며 특히 담배 연기로 오염된 경우 더욱 그러합니다.

날개 및 기타 구성 요소를 취급할 때 PTFE(합성 불소고분자)에 대한 건강안전 수칙을 따라야 합니다.

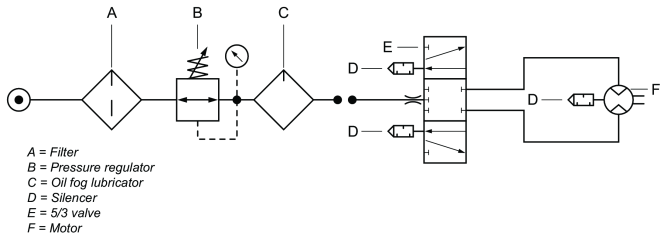
- ▶ 이 제품에 대한 서비스를 수행할 때 흡연하지 마십시오.
- ▶ PTFE 입자가 화염, 빛 또는 열과 접촉하지 않아야 합니다.
- ▶ 모터 구성 요소는 깨끗한 액체로 세척해야 하며 에어 라인을 사용한 송풍을 피해야 합니다.
- ▶ 다른 활동을 시작하기 전 손을 씻으십시오.

IP 등급

에어 모터의 IP 등급은 압력을 가한 상태에서 설정되며 배출구 또는 부착된 소음기는 제외됩니다. 만약 모터가 물에 잠긴 상태 또는 헤비 워터 제트에서 작동된다면, 호스를 부착하여 물 밖으로 배출구를 만드는 것이 좋습니다. 물에 잠겼을 때 모터를 해당 깊이 보다 항상 높은 압력을 가하고 또한 유지해야 합니다.

설치 다이어그램

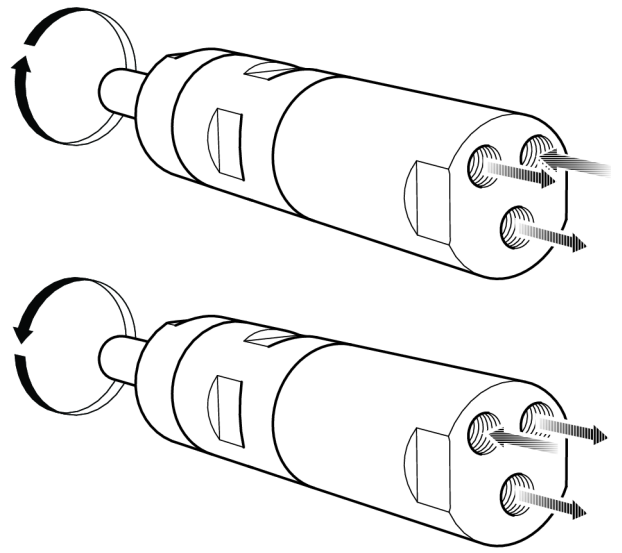
가역 모터



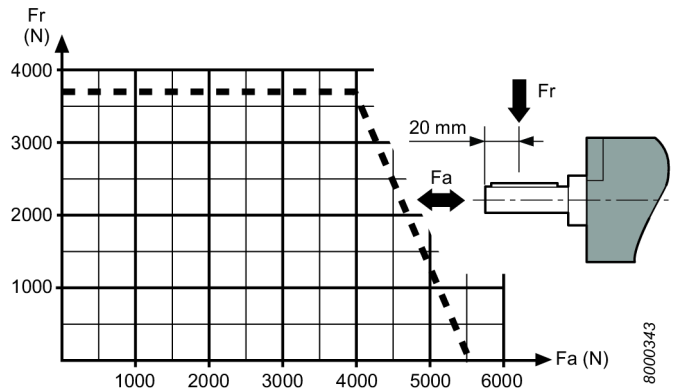
공기 공급 장치 연결

압축 공기 공급 장치가 유입구에 연결될 경우 회전 방향은 아래의 그림과 같습니다. 배출 공기를 배출하려면 호스가 배출구에 연결되어 있어야 합니다.

압축 공기 공급 장치는 원하는 회전 방향에 해당하는 유입구에 연결되어야 합니다. 아래 그림을 참조하십시오. 사용하지 않는 유입구는 추가 배출구의 기능을 하며 연결해서는 안 됩니다.



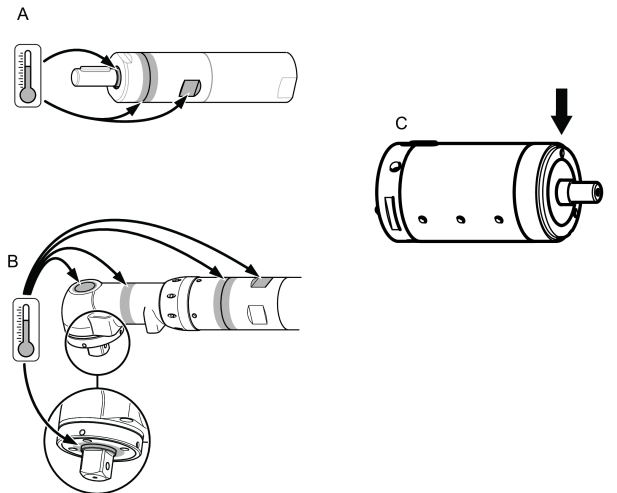
샤프트 부하 도표



핫스팟

다음은 모터의 고온점을 나타내며 작동 중에 높은 온도로 상승할 수 있습니다. 그림은 특정 모델에 대한 고온점을 보여줍니다.

- 출력축의 실링 링 (A, B, C)
- 전면 부품과 기어 링 사이의 연결부위 (A, B)
- 핵심 그립 (A, B)



모터가 부하 없이 최대 압력으로 작동할 때 온도가 최고로 상승합니다. 토크가 증가하면, 에어 모터의 회전 속도와 온도가 감소합니다.

경고

이 모터를 사용하기 전 작동 지침을 반드시 숙지하십시오.

이 모터와 첨부물 및 부속품은 설계 용도로만 사용해야 합니다.

제조물 책임 및 안전성의 이유때문에 제조물 책임에 영향을 미칠 수 있는 모터나 부속에 대한 개조는 제조업체의 기술 사무국의 동의를 얻어야 합니다.

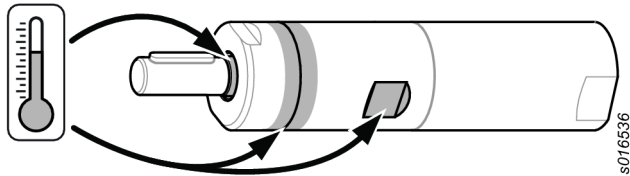
개인적인 부상이나 장기간의 위험을 방지하기 위하여 다음을 따릅니다.

- 모터가 ATEX 인증을 받은 경우 모터의 출구 포트에 필터/소음기를 설치해야 합니다.
소음기는 소음에 대한 노출을 줄이기 위해 다른 응용 환경에서도 사용하는 것이 좋습니다.
- 모든 조절 작업 전에 에어 라인에서 모터를 분리하십시오.
- 손, 머리카락, 의복이 항상 회전하는 부품에서 멀리 떨어져 있도록 주의하십시오.

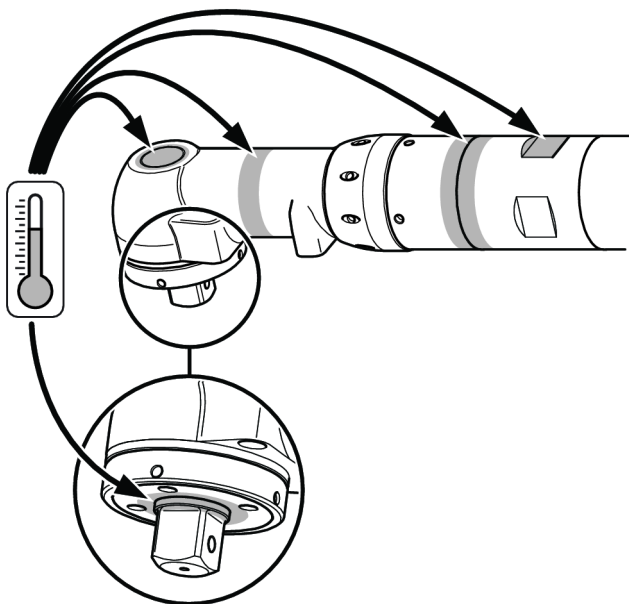
유지관리

- 본 ATEX 제품의 유지보수 및 수리는 반드시 공인 기사에 의해서만 실시되어야 하며 유지보수 및 수리가 끝난 후에는 무부하 시험과 고온점(그림 참조)의 온도 측정을 실시하고 보고서에 기록해야 합니다.

5분간의 무부하 시험이 끝난 후에 표면 온도가 45°C + 주변 온도(주변 온도는 0 - 40°C 사이에서 달라질 수 있음)의 합을 초과해서는 안 됩니다.



s016536



s0165534

일반 안전 지침

공기 공급 및 연결의 위험

- 절대 공기를 자신이나 다른 사람에게 향하게 하지 마십시오.
- 사용하지 않거나, 부속품을 교체하거나 수리 시에는, 항상 공기 공급 장치를 닫은 다음 호스의 공기 압력을 제거하고 나서 공구를 공기 공급 장치로부터 분리합니다.
- 절대로 공기가 자신이나 다른 사람을 향하도록 하지 마십시오.
- 공기를 뿜으며 움직이는 호스는 중상을 초래할 수 있습니다. 호스와 피팅이 느슨하거나 손상되지 않았는지 항상 점검하십시오.
- 최대 공기 압력인 6.3 bar/90 psig 혹은 공구 명판의 한도를 초과하지 마십시오.

엄힘에 의한 위험

- 회전하는 드라이브에 가까이 가지 마십시오. 느슨한 의복, 장갑, 보석류, 넥타이 종류 및 머리카락을 공구 및 부속품으로부터 멀리하지 않으면 질식, 두피 손상 및/또는 열상이 발생할 수 있습니다.

투사물의 위험

- 작업을 하거나 근처에 있을 경우, 공구의 수리나 유지 보수 시 혹은 공구의 부속품 교체 시에는, 항상 내충격 눈 및 안면 보호 장비를 착용합니다.
- 작업 영역에 있는 모든 사람들이 내충격 눈 및 안면 보호 장비를 착용하도록 합니다. 작은 투사물이라도 눈을 상하게 하거나 실명을 초래할 수 있습니다.
- 작업물이 단단히 고정되어 있는지 확인하십시오.

작업에 따른 위험

- 공구를 확실히 고정하십시오.
- 작업물을 제거하기 전에 공구가 완전히 정지했는지 확인하십시오.
- 모터/토크 모터가 추가되는 기계의 기동, 정지 및 비상 정지 제어를 항상 알맞게 조정하십시오.

소음 위험

- 소음 수준이 높으면 영구적인 청력 손상 및 이명과 같은 기타 문제를 야기할 수 있습니다. 귀하의 고용주나 직업 건강 및 안전 법규가 권장하는 청력 보호 도구를 사용하십시오.
- 소음 수준이 불필요하게 증가하지 않게 하려면 본 지침 설명서에 따라 공구를 작동 및 유지보수하고 부속품과 소모품을 선택, 유지보수 및 교체합니다.

작업장 위험

- 미끄러짐/걸려 넘어짐/추락은 중상이나 사망의 주요 원인입니다. 걸어다니거나 작업하는 장소의 표면에 호스가 남아 있을 수 있으므로 주의합니다.
- 질병(예: 암, 선천적 결손증, 천식 및/또는 피부염)을 유발할 수 있는 작업 과정에서 발생하는 분진 또는 연무의 흡입이나 부스러기의 취급을 피하십시오. 공기 중 입자를 생성하는 재질을 사용하는 작업 시, 분진 추출 장치를 사용하며 호흡 보호구를 착용합니다.
- 톱질, 연삭, 드릴링 및 기타 건축 활동에 의해 생성되는 일부 분진은, 캘리포니아 주에서 정한 암, 태아 기형 또는 기타 생식 관련 손상을 초래하는 것으로 알려진 화학물질을 함유합니다. 이러한 화학물질의 예는 다음과 같습니다.

- 납 기반 페인트의 납
- 결정성 실리카로 만든 벽돌, 시멘트 및 기타 석재 제품들.
- 화학 처리된 고무의 비소 및 크롬.

이러한 노출에 따른 위험은 이러한 유형의 작업 빈도에 따라 다릅니다. 이러한 화학물질에 대한 노출 감소 방법: 환기가 잘 된 장소에서 작업하며, 미립자를 여과하도록 특별히 설계된 분진 마스크와 같은 승인 받은 안전 장비를 사용하여 작업.

- 익숙하지 않은 환경에서는 주의해서 진행합니다. 작업 도중 숨겨진 위험이 존재할 수 있습니다. 이 공구는 전원과 접촉 시 절연되지 않습니다.

표시 및 스티커

이 제품에는 개인 안전과 제품 유지보수에 관한 중요한 정보가 포함된 표지 및 스티커가 부착되어 있습니다. 표지 및 스티커는 언제나 읽기 쉬워야 합니다. 새로운 표지 및 스티커는 예비 부품 목록을 이용하여 주문할 수 있습니다.



s011050

ATEX 인증 정보

ATEX 코드 정의

ATEX 코드:



Ex II 2 G Ex h IIC T6 Gb

Ex II 2 D Ex h IIIC T85°C Db

°C ≤ Ta ≤ 40 °C

설명	값	정의
장비 그룹	II	표면 산업
장비 범주	2	높은 수준의 보호
그룹 II		<ul style="list-style-type: none"> • zone 1 (가스) • zone 2 (가스) • zone 21 (먼지) • zone 22 (먼지)
대기	G	가스, 증기 또는 안개를 포함한 대기
	D	먼지가 포함된 대기
안전 설계	h	기계 제품
가스 그룹	IIC	수소/아세틸렌
	IIB	에틸렌
먼지 그룹	IIIC	표면 가연성 먼지

설명	값	정의
가스가 있는 대기에서의 최대 표면 온도		T1 = 450°C
		T2 = 300°C
		T3 = 200°C
		T4 = 135°C
		T5 = 100°C
		T6 = 85°C
먼지가 있는 대기에서의 최대 표면 온도		온도 예:
		T85°C
		T110°C
		T120°C
		T125°C
	T240°C	
주변 온도 범위와	X	
같은 특별 제한 사항		

온도

- 인증이 유효한 최대 주변 온도는 40°C 입니다.
- 40는 또한 압축 공기가 제품에 유입되었을 때 허용되는 최대 온도입니다.
- 본 제품이 장비에 설치된 경우 전체 장비는 지침 2014/34/EU를 준수해야 합니다.
- 압축 공기가 당사 요구 품질(ISO/DIS 8573-1:2010에 따른 품질 등급 2.4.3, 3.4.4 및 3.5.4)을 충족하는지 확인하십시오.
- 6.3 bar 또는 제품 명판에 표시된 최대 압력을 초과하지 마십시오. 작동 온도를 초과하면 높은 회전 속도로 인해 표면 온도가 증가할 수 있으며 제품의 발화 원인이 될 수 있습니다.

폭발 등급

제품이 다른 폭발 등급을 갖는 구성품의 조립부품인 경우 가장 낮은 안전성 수준을 갖는 구성품이 전체 조립체의 폭발 등급으로 정의됩니다.

폭발 방지 지침

청결

- 베어링 및 표면 온도가 높아지는 것을 방지하려면 제품을 오염과 먼지로부터 깨끗하게 유지하십시오.
- 소음기를 사용하는 경우, 에어 배출부에 필터링 효과가 있는 소음기를 설치하여 마찰열 입자들이 주변 대기로 유입되는 것을 방지하십시오.

사용

- 제품이 작업장의 등전위 본딩 시스템에 호스, 공기압 연결장치와 같은 부속품을 통해 접지되어 있는지 확인하십시오.
- 렌치 및 공기 연결장치와 같이 제품과 제품에 사용될 수 있는 모든 부속품이 폭발 위험이 있는 장소에서 사용되는 장비에 대한 국내 안전 규정을 준수하는지 확인하는 것은 사용자의 책임입니다.

유용한 정보

웹사이트

제품, 부속품, 예비 부품 및 게시된 사안에 관한 정보는 Atlas Copco 웹 사이트에서 찾을 수 있습니다.

다음 자료 및 웹 사이트를 참조해 주세요.

www.atlascopco.com.

ServAid

ServAid는 지속적으로 업데이트되며 다음과 같은 기술 정보가 포함된 포털입니다.

- 규정 및 안전 정보
- 기술 자료
- 설치, 작동 및 서비스 지침
- 예비 부품 목록
- 부속품
- 축적 도면

다음 자료 및 웹 사이트를 참조해 주세요. [https://](https://servaid.atlascopco.com)

servaid.atlascopco.com.

추가 정보는 가까운 Atlas Copco 서비스 대리점에 문의하십시오.

Original instructions
Traduction de la notice originale
Übersetzung der Originalbetriebsanleitung
Traducción de las instrucciones originales
Tradução das instruções originais
Traduzione delle istruzioni originali
Vertaling van oorspronkelijke instructies
Oversættelse af originalvejledning
Oversettelse av originalinstruksjoner.
Käännös alkuperäisistä ohjeista
Μετάφραση πρωτότυπων οδηγιών
Översättning av ursprungliga instruktioner
Перевод оригиналов инструкций
Tłumaczenie oryginalnej instrukcji
Preklad originálnych pokynov
Překlad původních pokynů
Eredeti utasítások fordítása
Prevod izvirnih navodil
Traducerea instrucțiunilor originale
Orijinal talimatların çevirisi
Превод на оригиналните инструкции
Prijevod originalnih uputa
Originaaljuhiste tõlge
Originalių instrukcijų vertimas
Oriģinālo instrukciju tulkojums
原始说明的翻译
使用說明書初出翻譯
원본 설명서의 번역문



**Atlas Copco Industrial
Technique AB**
SE-10523 STOCKHOLM
Sweden
Telephone: +46 8 743 95 00
www.atlascopco.com

© Copyright 2023, Atlas Copco Industrial Technique AB. All rights reserved.
Any unauthorized use or copying of the contents or part thereof is prohibited.
This applies in particular to trademarks, model denominations, part numbers
and drawings. Use only authorized parts. Any damage or malfunction caused
by the use of unauthorized parts is not covered by Warranty or Product
Liability.

Out of respect to wildlife and nature, our technical literature is printed on
environmentally friendly paper.