

# LZB34-RL-AR005-11 ATEX

Printed Matter No.9836 7141 00  
Publication Date 2023-10-26

Air Motors

Valid from Serial No. B5700001

## Safety Information

LZB34-RL-AR005-11

8411033965

Free speed: 450 r/min

Lubrication free



Ex II 2 G Ex h IIC T6 Gb

Ex II 2 D Ex h IIIC T85°C Db



### WARNING

To reduce risk of injury, everyone using, installing, repairing, maintaining, changing accessories on, or working near this tool **MUST** read and understand these instructions before performing any such task.

**DO NOT DISCARD - GIVE TO USER**

**Atlas Copco**

# Table of Contents

EN	Safety Information.....	3
FR	Informations concernant la sécurité .....	8
DE	Sicherheitshinweise.....	14
ES	Información sobre seguridad.....	20
PT	Informação de Segurança.....	26
IT	Informazioni sulla sicurezza.....	31
NL	Veiligheidsinformatie.....	37
DA	Sikkerhedsoplysninger .....	42
NO	Sikkerhetsinformasjon.....	48
FI	Turvallisuustiedot.....	53
EL	Πληροφορίες για την ασφάλεια .....	58
SV	Säkerhetsinformation .....	64
RU	Информация по технике безопасности .....	69
PL	Informacje dotyczące bezpieczeństwa .....	76
SK	Bezpečnostné informácie .....	82
CS	Bezpečnostní informace .....	87
HU	Biztonsággal kapcsolatos tudnivalók .....	93
SL	Varnostne informacije.....	99
RO	Informații privind siguranța .....	104
TR	Güvenlik bilgileri .....	109
BG	Информация за безопасност.....	115
HR	Sigurnosne informacije .....	121
ET	Ohutus informatsioon.....	126
LT	Saugos informacija.....	131
LV	Drošības informācija .....	137
ZH	安全信息.....	142
JA	安全情報.....	147
KO	안전 정보.....	152

## Technical data

### Technical data

Ordering No	8411033965
Model	LZB34-RL-AR005-11
Air consumption at free speed	l/s
Air consumption at free speed	cfm
Air consumption at max output	7.9 l/s
Air consumption at max output	16.8 cfm
Braking torque	Nm
Braking torque	ft lb
Built in brake	No
External parts material	Stainless steel
Free speed	450 r/min
Max output	0.25 kW
Max output	0.34 hp
Min starting torque	12.6 Nm
Min starting torque	9.3 ft lb
Ratio	
Rotation direction	Reversible
Shaft loading code	c
Shaft type	Keyed
Speed at max output	240 r/min
Stall torque	19.6 Nm
Stall torque	14.5 ft lb
Torque at max output	9.8 Nm
Torque at max output	7.2 ft lb
Vane type	Lubrication free
Weight	1.2 kg
Weight	2.65 lb
Inlet hose	10 mm
Inlet hose	0.4 in
Ingress protection rating	IP66/IP68/IP69
Outlet hose	10 mm
Outlet hose	0.4 in
IP Rating	IP66/IP68/IP69

### IP Rating

The IP Rating of the air motors refer to the mechanical casing according to the IEC 60529 standard. The IP rating does not cover corrosion resistance or any liquids other than clean freshwater.

## Declarations

### EU DECLARATION OF INCORPORATION

We, **Atlas Copco Industrial Technique AB**, SE-105 23 STOCKHOLM SWEDEN, declare under our sole responsibility that this product (with name, type and serial number, see front page) fulfils the following essential requirements of Machinery Directive 2006/42/EC:

2006/42/EC (Annex I, clauses 1.1, 1.2 (excluding 1.2.4.3), 1.3, 1.4, 1.5, 1.6, 1.7)

And that this partly completed machinery is in conformity with the provisions of the following other EU Directive(s): 2014/34/EU (ATEX)

This partly completed machinery must not be put into service until the final machinery into which it is to be incorporated has been declared in conformity with provisions of the Machinery Directive 2006/42/EC, where appropriate.

The following (parts/clauses of) European harmonized standards have been applied:

EN 1127-1:2019, EN ISO 12100:2010, EN ISO 80079-36:2016, EN ISO 80079-37:2016

The relevant technical documentation was compiled and was communicated in accordance with Machinery Directive 2006/42/EC part B of Annex VII and ATEX Directive 2014/34/EU Article 13 (1) b) ii in the Notified Body ExVeritas ApS (EU Identification No 2804) in Denmark. Authorities can request the technical file for ATEX Directive 2014/34/EU in paper form from:

<https://www.exveritas.com/2022/02/02/what-you-need-for-atex-and-ukca-explosive-atmosphere-certification-for-the-uk-and-eu-markets/>

Stockholm, 1 September 2023

**Håkan Andersson, Managing Director**

Signature of issuer



### Regional requirements

#### WARNING

This product can expose you to chemicals including lead, which is known to the State of California to cause cancer and birth defects or other reproductive harm. For more information go to [www.P65Warnings.ca.gov](http://www.P65Warnings.ca.gov)

### Information regarding Article 33 in REACH

The European Regulation (EU) No. 1907/2006 on Registration, Evaluation, Authorization and restriction of Chemicals (REACH) defines among other things requirements related to communication in the supply chain. The information requirement applies also to products containing so called Substances of Very High Concern (the "Candidate List"). On 27 June 2018 lead metal (CAS nr 7439-92-1) was added to the Candidate List.

In accordance with the above this is to inform you that certain mechanical components in the product may contain lead metal. This is in compliance with current substance restriction legislation and based on legit exemptions in the RoHS Directive (2011/65/EU). Lead metal will not leak or mutate from the product during normal use and the concentration of lead

metal in the complete product is well below the applicable threshold limit. Please consider local requirements on the disposal of lead at product end of life.

### UK DECLARATION OF INCORPORATION

We, **Atlas Copco Industrial Technique AB**, SE-105 23 STOCKHOLM SWEDEN, declare under our sole responsibility that this product (with name, type and serial number, see front page) fulfils the following essential requirements of The Supply of Machinery (Safety) Regulations 2008 S.I. 2008/1597:

S.I. 2008/1597 (Annex I, clauses 1.1, 1.2 (excluding 1.2.4.3), 1.3, 1.4, 1.5, 1.6, 1.7)

And that this partly completed machinery is in conformity with the provisions of the following other UK Regulation(s): S.I. 2016/1107

This partly completed machinery must not be put into service until the final machinery into which it is to be incorporated has been declared in conformity with provisions of The Supply of Machinery (Safety) Regulations 2008 S.I. 2008/1597, where appropriate.

The following (parts/clauses of) Designated Standards have been applied:

BS EN 1127-1:2019, BS EN ISO 12100:2010, BS EN ISO 80079-36:2016, BS EN ISO 80079-37:2016

The relevant technical documentation was compiled and was communicated in accordance with The Supply of Machinery (Safety) Regulations 2008 S.I. 2008/1597 part B of Annex VII and Equipment and Protective Systems Intended for Use in Potentially Explosive Atmospheres Regulations 2016 S.I. 2016/1107 Article 13 (1) b) ii in the ExVeritas UKCA Approval Body Number 2585.

Authorities can request the technical file for Equipment and Protective Systems Intended for Use in Potentially Explosive Atmospheres Regulations 2016 S.I. 2016/1107 in paper form from:

<https://www.exveritas.com/2022/02/02/what-you-need-for-atex-and-ukca-explosive-atmosphere-certification-for-the-uk-and-eu-markets/>

Stockholm, 1 September 2023

**Håkan Andersson, Managing Director**

Signature of issuer



#### Authorised Representative UK

James McAllister, General Manager  
Atlas Copco Ltd  
Swallowdale Lane  
Hemel Hempstead  
Hertfordshire HP2 7EA

## Safety

### ⚠️ WARNING Risk of Property Damage or Severe Injury

Ensure that you read, understand and follow all instructions before operating the tool. Failure to follow all the instructions may result in electric shock, fire, property damage and/or severe bodily injury.

- ▶ Read all Safety Information delivered together with the different parts of the system.
- ▶ Read all Product Instructions for installation, operation and maintenance of the different parts of the system.
- ▶ Read all locally legislated safety regulations regarding the system and parts thereof.
- ▶ Save all Safety Information and instructions for future reference.

### Statement of use

This motor is designed to be incorporated into a fixed or moving machine. It is either for right hand rotation only, left hand rotation only, or reversible rotation and should be mounted by the flange or threaded nose only, as appropriate. No other use permitted. For professional use only.

The risk of motors being the source of ignition of a potentially explosive atmosphere is extremely small. The user is responsible for assessing the risks associated with the whole machine into which the motor is to be incorporated.

### Product specific instructions

#### Warning

### ⚠️ WARNING Polymer hazard

The vanes in this product contain PTFE (a synthetic fluoropolymer). Due to wear, there might be PTFE particles inside the product. Heated PTFE can produce fumes which may cause polymer fume fever with flu-like symptoms, especially when smoking contaminated tobacco.

Health and Safety recommendations for PTFE must be followed when handling vanes and other components:

- ▶ Do not smoke when servicing this product
- ▶ PTFE-particles must not come in contact with open fire, glow or heat
- ▶ Motor components must be washed with cleaning fluid and not blown clear with an air line
- ▶ Wash your hands before starting any other activity

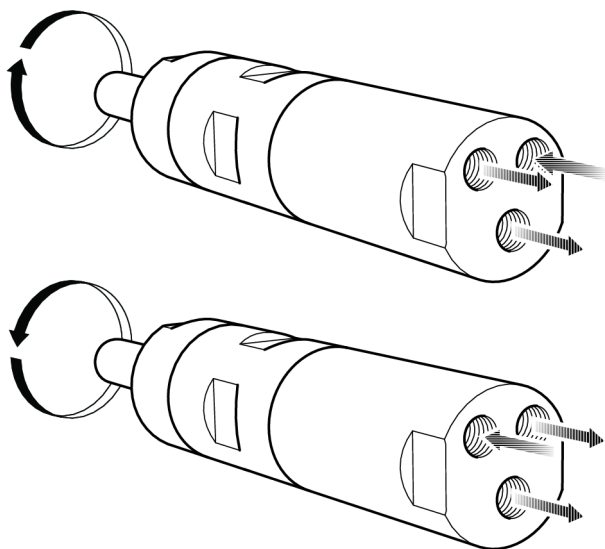
### IP Rating

The IP Rating of the air motors is set under pressurized condition and excludes the outlet or attached silencer. If the motor will operate submerged or in heavy water jets, it's recommended to lead the outlet away from water with a hose. When submerged, always keep the motor pressurized with a higher pressure than the corresponding depth.

### Connecting the air supply

When the compressed air supply is connected to the inlet, the direction of rotation will be as shown in the figure below. If the exhaust air is to be piped away, a hose should be connected to the exhaust outlet.

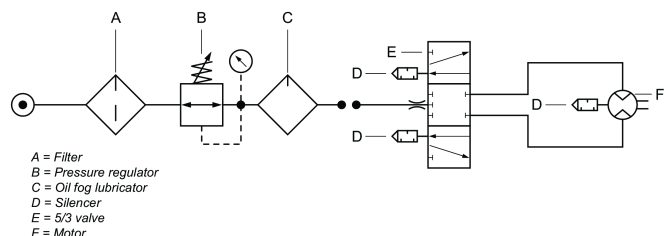
The compressed air supply should be connected to the corresponding inlet for desired rotation direction, see figure below. The inlet that is not in use, functions as an additional outlet and must not be plugged.



s015473

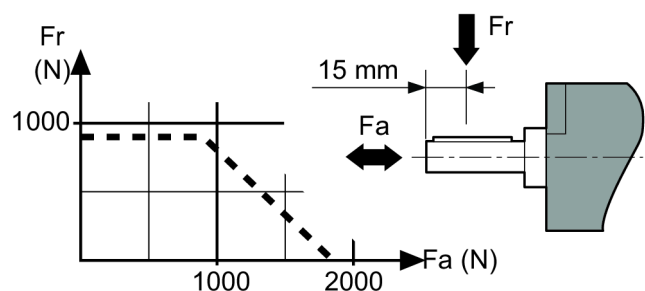
### Installation diagram

Reversible motor



s015475

### Shaft load diagram

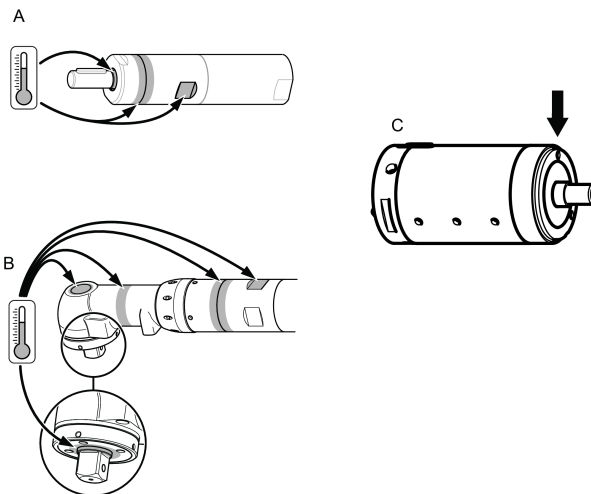


8000345

### Hot Spots

The following hot spots on the motor can reach high temperatures during operation. The image shows hot spots for specific models:

- Seal ring at the output shaft (A, B, C)
- Joint between front part and gear ring (A, B)
- Key grip (A, B)



002028631

The highest temperatures occur when the motor is running at full pressure without load. With increasing torque, the air motor reduces the rotational speed and the temperature.

### Warning

Make sure you are familiar with the operating instructions before you use this motor.

This motor, its attachments and accessories must only be used for the purpose for which they were designed.

For product liability and safety reasons any modification to the motor or its accessories, which may have an influence on the product liability, must be agreed upon by the technical authority of the manufacturer.

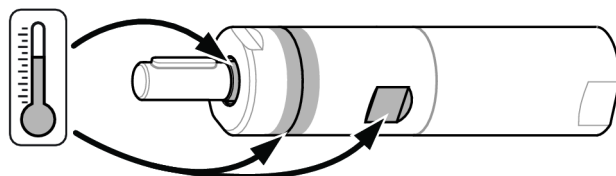
### To prevent personal injury and long term risks:

- If the motor is ATEX-certified, filter/silencers must be installed at the motor outlet ports.
- Silencers are recommended also for other applications to reduce noise exposure.
- Disconnect the motor from the air line before any adjustment operation.
- **Mind your hands, hair and clothing – always keep well away from rotating parts.**

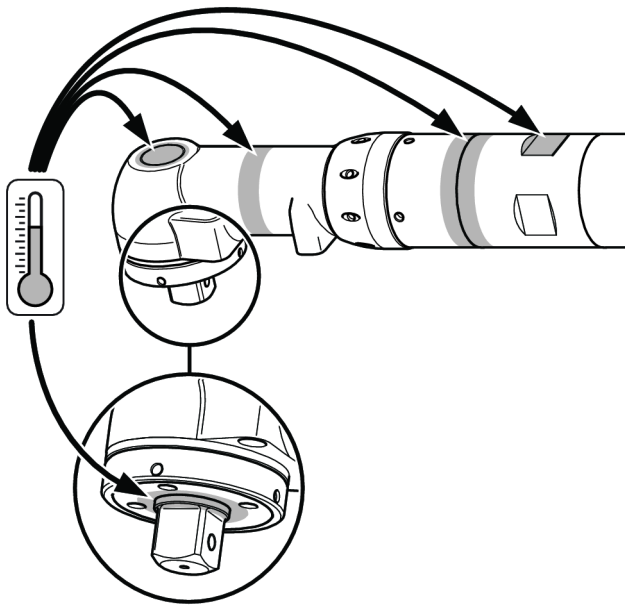
### Maintenance

- Maintenance and repairs of this ATEX product must be carried out exclusively by authorised personnel, after which a no-load test and temperature measurements of hotspots (as seen in the figure) must be carried out and recorded in a report.

After a 5 min no-load test the surface temperature must not exceed the sum of 45°C + surrounding temperature, where the surrounding temperature can vary between 0 – 40°C.



s016536



s0765534

**General safety instructions**

To reduce risk of injury, everyone using, installing, repairing, maintaining, changing accessories on, or working near this tool must read and understand these instructions before performing any such task.

Our goal is to produce tools that help you work safely and efficiently. The most important safety device for this or any tool is YOU. Your care and good judgment are the best protection against injury. All possible hazards cannot be covered here, but we have tried to highlight some of the important ones.

- Only qualified and trained operators should install, adjust or use this power tool.
- This tool and its accessories must not be modified in any way.
- Do not use this tool if it has been damaged.
- If the rated speed, operating pressure or hazard warning signs on the tool cease to be legible or become detached, replace without delay.

**i For additional safety information consult:**

- Other documents and information packed with this tool.
- Your employer, union and / or trade association.
- Further occupational health and safety information can be obtained from the following web sites:
  - <http://www.osha.gov> (USA)
  - <https://osha.europa.eu/> (Europe)

**Air supply and connection hazards**

- Air under pressure can cause severe injury.
- Always shut off air supply, drain hose of air pressure and disconnect tool from air supply when not in use, before changing accessories or when making repairs.
- Never direct air at yourself or anyone else.
- Whipping hoses can cause severe injury. Always check for damaged or loose hoses and fittings.
- Do not exceed maximum air pressure of 6.3 bar / 90 psig, or as stated on tool nameplate.

**Entanglement hazards**

- Keep away from rotating drive. Choking, scalping and / or lacerations can occur if loose clothing, gloves, jewellery, neck ware and hair are not kept away from tool and accessories.

**Projectile hazards**

- Always wear impact-resistant eye and face protection when involved with or near the operation, repair or maintenance of the tool or changing accessories on the tool.
- Be sure all others in the area are wearing impact-resistant eye and face protection. Even small projectiles can injure eyes and cause blindness.
- Ensure the workpiece is securely fixed.

**Operating hazards**

- Clamp the tool securely.
- Ensure the tool is at a complete stop before removing work.
- Always fit start, stop and emergency stop controls to the machine into which the motor/torque motor is incorporated.

**Noise hazards**

- High sound levels can cause permanent hearing loss and other problems such as tinnitus. Use hearing protection as recommended by your employer or occupational health and safety regulations.
- To prevent unnecessary increases in noise levels operate and maintain the tool, and select, maintain and replace the accessories and consumables, in accordance with this instruction manual.

**Workplace hazards**

- Slip/Trip/Fall is a major cause of serious injury or death. Be aware of excess hose left on the walking or work surface.
- Avoid inhaling dust or fumes or handling debris from the work process which can cause ill health (for example, cancer, birth defects, asthma and/or dermatitis). Use dust extraction and wear respiratory protective equipment when working with materials which produce airborne particles.
- Some dust created by power sanding, sawing, grinding, drilling and other construction activities contains chemicals known to the State of California to cause cancer and birth defects or other reproductive harm. Some examples of these chemicals are:
  - Lead from lead based paints
  - Crystalline silica bricks and cement and other masonry products
  - Arsenic and chromium from chemically-treated rubber

Your risk from these exposures varies, depending on how often you do this type of work. To reduce your exposure to these chemicals: work in a well ventilated area, and work with approved safety equipment, such as dust masks that are specially designed to filter out microscopic particles.

- Proceed with care in unfamiliar surroundings. Be aware of potential hazards created by your work activity. This tool is not insulated from coming into contact with electric power sources.

---

**DO NOT DISCARD – GIVE TO USER**


---

### Signs and stickers

The product is fitted with signs and stickers containing important information about personal safety and product maintenance. The signs and stickers shall always be easy to read. New signs and stickers can be ordered by using the spare parts list.



s011050

## ATEX certification information

### Temperatures

- The maximum surrounding temperature for which the certification is valid is 40°C.
- 40°C is also the maximum allowed temperature of the compressed air when it enters the product.
- If the product is installed in an equipment, the entire equipment has to correspond to the guidelines 2014/34/EU.
- Make sure that the compressed air fulfil our quality demands (quality classes 2.4.3. and 3.4.4 respectively 3.5.4 acc. to ISO/DIS 8573-1:2010).
- Do not exceed maximum pressure of 6.3 bar, or as stated on the product nameplate. Exceeding the operating pressure can increase the surface temperature due to higher rotating speed and the product can become an ignition source.

### Ex Classification

If the product is part of an assembly where the components have different Ex classification, the component with the lowest level of safety defines the Ex classification of the complete assembly.

### Explosion prevention guidelines

#### Cleanliness

- Make sure the product is kept clean from dust and dirt to prevent increased bearing and surface temperature.
- If using a silencer: Make sure a silencer with a filtering effect at the air outlet is installed to prevent any friction-heated particles entering into the surrounding atmosphere.

#### Usage

- Make sure the product is earthed to the equipotential bonding system of the workshop, for example through accessories such as hoses and air-pressure connections.

- It is the responsibility of the user to make sure that the product and all possible accessories, such as wrenches and air connections, conform to the national safety regulations for equipment used in potentially explosive areas.

### ATEX Code Definition

The ATEX code is:



Ex II 2 G Ex h IIC T6 Gb

Ex II 2 D Ex h IIIC T85°C Db

°C ≤ Ta ≤ 40 °C

Description	Value	Definition
Equipment group	<b>II</b>	Surface Industry
Equipment category	<b>2</b>	High level of protection
<b>Group II</b>		<ul style="list-style-type: none"> <li>• zone 1 (gas)</li> <li>• zone 2 (gas)</li> <li>• zone 21 (dust)</li> <li>• zone 22 (dust)</li> </ul>
Atmosphere	<b>G</b>	Atmosphere containing Gas, Vapors or Mist
	<b>D</b>	Atmosphere containing Dust
Safety design	<b>h</b>	Mechanical product
Gas group	<b>IIC</b>	Hydrogene/ Acetylene
	<b>IIB</b>	Ethylene
Dust group	<b>IIIC</b>	Surface combustible dust
Max surface temperature in <b>Gas</b> atmosphere		<b>T1</b> = 450°C <b>T2</b> = 300°C <b>T3</b> = 200°C <b>T4</b> = 135°C <b>T5</b> = 100°C <b>T6</b> = 85°C
Max surface temperature in <b>Dust</b> atmosphere		Example temperatures: T85°C T110°C T120°C T125°C T240°C
Special restriction, for example ambient temperature range.	<b>X</b>	

## Useful information

### Website

Log in to Atlas Copco: [www.atlascopco.com](http://www.atlascopco.com).

You can find information concerning our products, accessories, spare parts and published matters on our website.

### Country of origin

Please refer to the information on the product label.

### Warranty

- Product warranty will expire 12 months after the product is first taken into use, but will in any case expire at the latest 13 months after delivery.
- Normal wear and tear on parts is not included within the warranty.
  - Normal wear and tear is that which requires a part change or other adjustment/overhaul during standard tools maintenance typical for that period (expressed in time, operation hours or otherwise).
- The product warranty relies on the correct use, maintenance, and repair of the tool and its component parts.
- Damage to parts that occurs as a result of inadequate maintenance or performed by parties other than Atlas Copco or their Certified Service Partners during the warranty period is not covered by the warranty.
- To avoid damage or destruction of tool parts, service the tool according to the recommended maintenance schedules and follow the correct instructions.
- Warranty repairs are only performed in Atlas Copco workshops or by Certified Service Partners.

Atlas Copco offers extended warranty and state of the art preventive maintenance through its ToolCover contracts. For further information contact your local Service representative.

For electrical motors:

- Warranty will only apply when the electric motor has not been opened.

### ServAid

ServAid is a portal that contains technical information for all hardware and software products, such as:

- Regulatory and Safety information
- Technical data
- Installation, Operation and Service instructions
- Spare parts lists
- Accessories

ServAid is continuously updated and is available at: <https://servaid.atlascopco.com>

For further information contact your local Atlas Copco representative.

## Safety Data Sheets MSDS/SDS

The safety data sheets describes chemical products sold by Atlas Copco.

For more information, consult the website:

[www.atlascopco.com/sds](http://www.atlascopco.com/sds)

## Caractéristiques techniques

### Caractéristiques techniques

Référence	8411033965
Modèle	LZB34-RL-AR005-11
Consommation d'air à la vitesse à vide	l/s
Consommation d'air à la vitesse à vide	cfm
Consommation d'air à la puissance maxi.	7.9 l/s
Consommation d'air à la puissance maxi.	16.8 cfm
Couple de freinage	Nm
Couple de freinage	ft lb
Frein intégré	No
Matériau des pièces externes	Stainless steel
Vitesse à vide	450 tr/min
Puissance maxi.	0.25 kW
Puissance maxi.	0.34 hp
Couple de démarrage mini.	12.6 Nm
Couple de démarrage mini.	9.3 ft lb
Rapport	
Sens de rotation	Reversible
Code de chargement de l'arbre	c
Type d'arbre	Keyed
Vitesse à la puissance maxi.	240 tr/min
Couple de calage	19.6 Nm
Couple de calage	14.5 ft lb
Couple à la puissance maxi.	9.8 Nm
Couple à la puissance maxi.	7.2 ft lb
Type de palettes	Lubrication free
Poids	1.2 kg
Poids	2.65 livres
Flexible d'alimentation	10 mm
Flexible d'alimentation	0.4 pouces
Indice de protection	IP66/IP68/IP69
Flexible de sortie	10 mm
Flexible de sortie	0.4 pouces
Indice IP	IP66/IP68/IP69

### Indice IP

L'indice IP des moteurs pneumatiques se réfère au carter mécanique conformément à la norme IEC 60529. L'indice IP ne couvre pas la résistance à la corrosion ou à d'autres liquides autres que de l'eau douce potable.

## Déclarations

### DÉCLARATION D'INCORPORATION UE

Nous, **Atlas Copco Industrial Technique AB**, SE-105 23 STOCKHOLM SWEDEN, déclarons sous notre seule et entière responsabilité que ce produit (dont le nom, le type et le numéro de série figurent en première page) répond aux exigences essentielles suivantes de la directive relative aux machines 2006/42/CE :

2006/42/EC (Annex I, clauses 1.1, 1.2 (excluding 1.2.4.3), 1.3, 1.4, 1.5, 1.6, 1.7)

Et que cette quasi-machine est conforme aux dispositions de ou des autres directives européennes suivantes :  
2014/34/EU (ATEX)

Cette quasi-machine ne doit pas être mise en service tant que la machine définitive dans laquelle elle doit être incorporée n'a pas été déclarée conforme aux dispositions de la directive relative aux machines 2006/42/CE, le cas échéant.

Les normes harmonisées européennes suivantes (chapitres/ clauses de) ont été appliquées :

EN 1127-1:2019, EN ISO 12100:2010, EN ISO 80079-36:2016, EN ISO 80079-37:2016

La documentation technique correspondante a été rédigée et a été communiquée en accord avec la directive Machines 2006/42/EC partie B de l'annexe VII, et avec la directive ATEX 2014/34/UE, Article 13 (1) b) ii, à l'organisme notifié ExVeritas ApS (N° européen d'identification 2804) au Danemark. Pour obtenir le fichier technique pour la directive ATEX 2014/34/UE les autorités peuvent s'adresser à :  
<https://www.exveritas.com/2022/02/02/what-you-need-for-atex-and-ukca-explosive-atmosphere-certification-for-the-uk-and-eu-markets/>

Stockholm, 1 September 2023

**Håkan Andersson, Managing Director**

Signature du déclarant



### Spécificités régionales

#### **⚠️ AVERTISSEMENT**

Ce produit peut vous exposer à des produits chimiques comme le plomb qui est reconnu par l'État de Californie comme cancérigène et causant des malformations congénitales ou autres anomalies de la reproduction. Pour de plus amples informations, visitez [www.P65Warnings.ca.gov](http://www.P65Warnings.ca.gov)

### Informations concernant l'article 33 de REACH

Le règlement européen (UE) n° 1907/2006 sur l'enregistrement, l'évaluation et l'autorisation des substances chimiques, ainsi que les restrictions applicables à ces substances

(REACH) définit entre autres les exigences relatives à la communication dans la chaîne d'approvisionnement. L'obligation d'information s'applique également aux produits contenant des substances dites extrêmement préoccupantes (la « Liste des substances candidates »). Le 27 juin 2018, le plomb (n° CAS 7439-92-1) a été ajouté à la Liste des substances candidates.

Conformément à ce qui précède, ceci est pour vous informer que certains composants mécaniques du produit peuvent contenir du plomb. Ceci est conforme à la législation en vigueur en matière de restriction des substances et se fonde sur les exemptions légales prévues par la directive RoHS (2011/65/UE). Le plomb ne fuira pas ou ne mutera pas du produit lors d'une utilisation normale et la concentration de plomb dans le produit complet est bien en dessous du seuil limite applicable. Veuillez tenir compte des exigences locales concernant l'élimination du plomb en fin de vie du produit.

## Sécurité

### **⚠️ AVERTISSEMENT Risque de dégâts matériels ou d'accidents graves**

Veiller à lire, assimiler l'ensemble des instructions avant d'utiliser l'outil. Le non-respect de l'ensemble des instructions peut entraîner un choc électrique, un incendie, des dégâts matériels ou un accident corporel grave.

- ▶ Lisez toutes les consignes de sécurité fournies avec les différentes parties du système.
- ▶ Lisez toutes les notices d'installation, d'exploitation et de maintenance des différentes parties du système.
- ▶ Lisez l'ensemble de la réglementation locale concernant le système et les différentes parties qui le composent.
- ▶ Conservez l'ensemble des instructions et consignes pour pouvoir les consulter ultérieurement.

### Utilisation prévue

Ce moteur est conçu pour être incorporé dans une machine fixe ou mobile. Il est destiné à être utilisé soit en rotation à droite uniquement, soit en rotation à gauche uniquement, soit en rotation réversible, et ne doit être fixé que par la bride ou le nez fileté, selon les besoins. Aucune autre utilisation autorisée. Pour utilisation professionnelle uniquement.

Le risque que des moteurs constituent une source d'inflammation d'une atmosphère potentiellement explosible est extrêmement faible. Il appartient à l'utilisateur d'évaluer les risques associés à la machine entière dans laquelle le moteur doit être incorporé.

**Instructions spécifiques au produit**

**Attention**

**⚠️ AVERTISSEMENT Risque lié aux polymères**

Les aubes de ce produit contiennent du PTFE (un fluoropolymère synthétique). L'usure peut entraîner la présence de particules de PTFE à l'intérieur du produit. Le PTFE chauffé peut produire de la fumée qui peut provoquer à son tour la fièvre des polymères dont les symptômes sont ceux de la grippe, et particulièrement lorsque le sujet fume du tabac contaminé.

Les recommandations de santé et sécurité concernant le PTFE doivent être suivies lorsque les vannes et d'autres composants sont manipulés :

- ▶ Ne pas fumer en procédant à l'entretien de ce produit.
- ▶ Les particules de PTFE ne doivent pas entrer en contact avec des flammes, un objet incandescent ou une source de chaleur.
- ▶ Les composants du moteur doivent être nettoyés avec un liquide de nettoyage et non pas avec une soufflette.
- ▶ Se laver les mains avant de commencer toute autre activité.

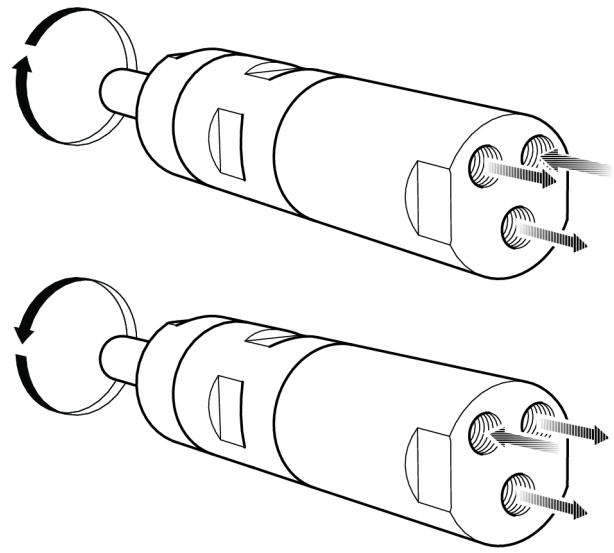
**Indice IP**

L'indice IP des moteurs pneumatiques est défini sous pression et exclut la sortie ou le silencieux fixé. Si le moteur fonctionne sous l'eau ou dans des jets d'eau puissants, il est recommandé de diriger la sortie hors de l'eau à l'aide d'un tuyau. Lorsqu'il est immergé, toujours maintenir le moteur sous pression à une pression supérieure à celle de la profondeur correspondante.

**Raccordement de l'alimentation en air**

Lorsque l'alimentation en air comprimé est raccordée à l'entrée, le sens de rotation est celui indiqué sur la figure ci-dessous. Si l'échappement d'air doit être évacué au moyen d'une tuyauterie, il convient de raccorder un flexible à la sortie d'échappement.

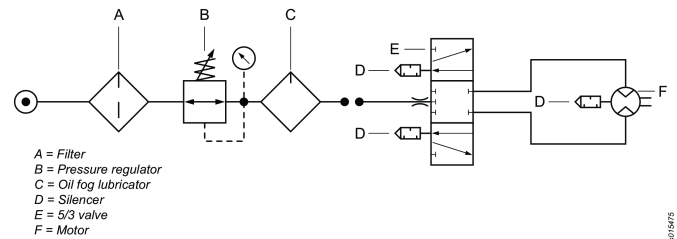
L'alimentation en air comprimé doit être raccordée à l'entrée correspondant au sens de rotation voulu, voir la figure ci-dessous. L'entrée qui n'est pas utilisée fonctionne comme une sortie supplémentaire et ne doit pas être obturée.



s015473

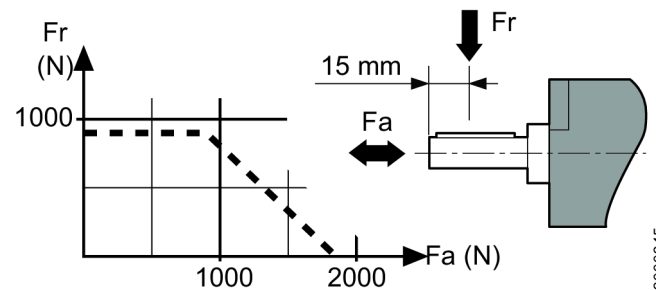
**Schéma d'installation**

Moteur réversible



en1675

**Schéma de charge de l'arbre**

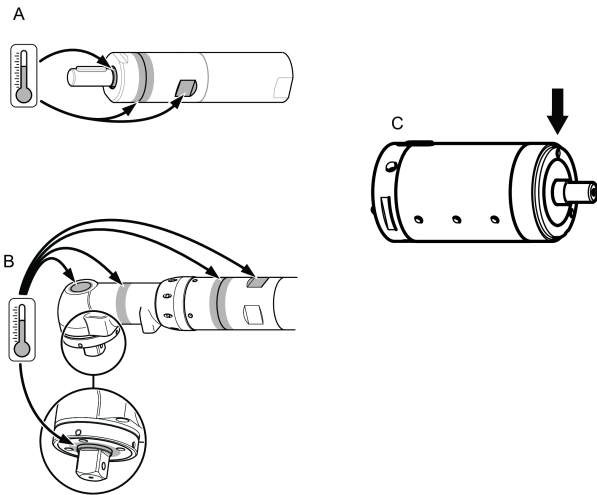


8000345

**Points chauds**

Les points chauds suivants sur le moteur peuvent atteindre des températures élevées en fonctionnement. L'image indique les points chauds pour les modèles spécifiques :

- Bague d'étanchéité au niveau de l'arbre de sortie (A, B, C)
- Jonction entre partie frontale et couronne (A, B)
- Poignée de commande (A, B)



Les températures les plus élevées surviennent lorsque le moteur fonctionne à pleine pression à vide. Dès que le couple augmente, la vitesse de rotation du moteur pneumatique diminue, de même que la température.

### Attention

Prendre soin d'étudier attentivement ces instructions avant de mettre la moteur en service.

Cet moteur et ses accessoires sont strictement réservés aux utilisations prévues par son fabricant.

Pour des raisons de sécurité, toute modification de la moteur ou de ses accessoires doit être soumise à l'accord du responsable technique du fabricant.

### Pour éviter les blessures corporelles et écarter les risques à long terme :

- Si le moteur est certifié ATEX, un filtre/des silencieux doivent être installés sur les orifices d'échappement. Des silencieux sont recommandés également pour les autres applications afin de réduire l'exposition au bruit.
- Débrancher le moteur de la ligne d'air avant de procéder à un réglage quelconque.
- **Protégez mains, cheveux et vêtements – se tenir éloigné des ensembles en rotation.**

### Entretien

- L'entretien et les réparations de ce produit ATEX doivent être effectués exclusivement par un personnel autorisé, après quoi il est impératif d'effectuer un essai à vide et des relevés de température sur les points chauds (indiqués sur la figure) dont les résultats seront consignés dans un procès-verbal.

Après un essai à vide de 5 min, la température de surface ne doit pas dépasser la somme de 45°C + température ambiante, où la température ambiante peut varier entre 0 – 40°C.



### Consignes générales de sécurité

Pour réduire le risque d'accidents corporels, quiconque utilise, installe, répare ou entretient cet outil, en change les accessoires ou travaille à proximité doit au préalable avoir lu et compris ces consignes.

Notre objectif est de fabriquer des outils qui vous permettent de travailler en toute sécurité et efficacement. Quel que soit l'outil, le dispositif de sécurité le plus important, c'est VOUS ! Votre attention et votre bon sens sont la meilleure protection contre les accidents. Il est impossible d'énumérer tous les dangers potentiels mais nous avons essayé de rappeler les plus importants.

- L'installation, le réglage et l'utilisation de cet outil motorisé ne doivent être confiés qu'à des opérateurs qualifiés et formés.
- Ne modifier en aucun cas l'outil ou ses accessoires.
- Ne pas utiliser cet outil s'il a subi des dégâts.
- Si les vignettes apposées sur l'outil pour indiquer la vitesse nominale, la pression de fonctionnement ou des mises en garde ne sont plus lisibles ou se décollent, les remplacer sans attendre.

**i** Pour plus d'informations concernant la sécurité, consulter :

- Les documents et notices d'informations fournis avec cet outil.
- Votre employeur, votre syndicat ou votre association professionnelle.
- Vous pourrez obtenir d'autres informations concernant l'hygiène et la sécurité au travail sur les sites suivants :
  - <http://www.osha.gov> (États-Unis)
  - <https://osha.europa.eu/> (Europe)

#### Dangers liés à l'alimentation en air et aux branchements

- L'air sous pression peut provoquer de graves blessures.
- Toujours arrêter l'alimentation en air, évacuer l'air sous pression contenu dans les flexibles et débrancher l'outil du circuit d'alimentation en air lorsqu'il n'est pas utilisé, avant de changer d'accessoire ou avant d'effectuer des réparations.
- Ne jamais diriger le jet d'air vers soi ou vers quelqu'un d'autre.
- Le fouettement des flexibles peut provoquer de graves blessures. Toujours vérifier que les flexibles et les raccords ne sont ni endommagés ni desserrés.
- Ne pas dépasser la pression d'air maximale de 6,3 bar / 90 psi relatifs ou la pression indiquée sur la plaque signalétique de l'outil.

#### Risques de happement

- Ne pas s'approcher de la broche d'entraînement tournante. Il existe un risque d'étranglement, d'arrachement du cuir chevelu ou de lacerations si les vêtements amples, gants, bijoux, articles portés autour du cou et cheveux ne sont pas tenus à distance de l'outil et des accessoires.

#### Risques de projections

- Toujours porter une protection des yeux et du visage résistante aux chocs pour travailler avec l'outil ou à proximité, pour les réparations ou l'entretien de l'outil ou pour changer des accessoires.
- Assurez-vous que toutes les personnes se trouvant à proximité de cet appareil portent une protection similaire. Même de petits projectiles peuvent blesser les yeux et provoquer la cécité.
- S'assurer que la pièce à travailler est attachée solidement.

#### Risques pendant l'utilisation

- Serrer solidement l'outil.
- S'assurer que l'outil est à l'arrêt complet avant de retirer la pièce.
- Toujours monter les commandes de démarrage, d'arrêt et d'arrêt d'urgence sur la machine dans laquelle le moteur ou le moteur couple est incorporé.

#### Dangers liés au bruit

- Les niveaux sonores élevés peuvent provoquer une perte d'acuité auditive permanente ou d'autres problèmes tels que des acouphènes. Utiliser les protections auditives recommandées par l'employeur ou par la réglementation en matière d'hygiène et de sécurité au travail.

- Pour prévenir toute augmentation inutile du niveau sonore, exploiter et entretenir l'outil et procéder au choix, à l'entretien et au remplacement des accessoires et consommables conformément à la présente notice d'utilisation.

#### Dangers liés au lieu de travail

- Les glissades, trébuchements ou chutes sont une cause majeure d'accidents corporels graves voire mortels. Penser à la surlongueur de flexible restant dans le passage ou dans l'aire de travail.
- Éviter d'inhaler les poussières ou vapeurs ou de manipuler les débris provenant des travaux qui peuvent provoquer des maladies (par exemple cancer, problèmes respiratoires, asthme ou dermatite). Utiliser des équipements d'extraction des poussières et porter des équipements de protection respiratoire pour travailler avec des matériaux qui produisent des particules en suspension.
- Certaines poussières créées par ponçage mécanisé, sciage, meulage, perçage et autres travaux de construction contiennent des substances chimiques qui sont reconnues comme pouvant provoquer des cancers, des anomalies congénitales et autres problèmes de reproduction. Parmi ces substances chimiques, on trouve :
  - le plomb provenant des peintures au plomb ;
  - la silice cristalline présente dans les briques, le ciment et autres matériaux de maçonnerie ;
  - l'arsenic et le chrome provenant des caoutchoucs traités chimiquement.

Le risque lié à l'exposition à ces substances varie en fonction de la fréquence à laquelle on effectue ce type de travaux. Pour réduire l'exposition à ces substances chimiques : travailler dans des endroits correctement ventilés et avec des équipements de sécurité homologués tels que des masques antipoussières spécialement conçus pour filtrer les particules microscopiques.

- Procédez avec précaution si vous travaillez dans un environnement que vous ne connaissez pas. Votre activité peut créer des dangers cachés. Cet outil n'est pas destiné à entrer en contact avec des sources électriques et n'est donc pas isolé.

---

**NE PAS JETER – REMETTRE À L'UTILISATEUR.**

---

#### Signes et étiquettes

Des vignettes et autocollants contenant des informations importantes pour la sécurité des personnes et l'entretien du matériel sont apposés sur le produit. Les vignettes et autocollants doivent toujours être faciles à lire. On pourra commander de nouvelles vignettes et de nouveaux autocollants à l'aide de la nomenclature des pièces de rechange.



## Informations sur la certification ATEX

### Températures

- La température ambiante maximale pour laquelle la certification est valable est de 40 °C.
- 40°C est également la température maximale admise pour l'air comprimé lorsqu'il entre dans le produit.
- Si le produit est installé dans un équipement, l'ensemble de l'équipement doit se conformer à la directive 2014/34/UE.
- S'assurer que l'air comprimé satisfait à nos exigences de qualité (classes de qualité 2.4.3 et 3.4.4 ou 3.5.4 respectivement selon ISO/DIS 8573-1:2010).
- Ne pas dépasser la pression maximale de 6,3 bars ou la pression indiquée sur la plaque signalétique du produit. Tout dépassement de la pression d'exploitation peut accroître la température superficielle en raison de la vitesse de rotation plus élevée, et le produit peut alors devenir une source d'inflammation.

### Classification Ex

Si le produit fait partie d'un ensemble dont les composants possèdent des classements Ex différents, le composant doté du niveau de sécurité le plus bas définit le classement Ex de l'ensemble.

### Directives relatives à la prévention des explosions

#### Propreté

- Veiller à garder le produit exempt de poussière et de saletés pour prévenir une augmentation de la température des roulements et de la surface.
- En cas d'utilisation d'un silencieux : veiller à installer un silencieux avec effet filtrant à l'orifice d'échappement d'air afin d'éviter que des particules chauffées par friction pénètrent dans l'atmosphère ambiante.

#### Utilisation

- Par ailleurs, le produit doit être mis à la terre ou raccordé au circuit de liaison équipotentielle de l'atelier, par exemple par le biais d'accessoires tels que les flexibles et les raccords d'air comprimé.
- Il est de la responsabilité de l'utilisateur de s'assurer que le produit et tous les accessoires possibles que les clés et les raccords pneumatiques sont conformes à la réglementation nationale de sécurité concernant les matériels utilisés dans des atmosphères potentiellement explosibles.

### Définition du code ATEX

Le code ATEX est :



Ex II 2 G Ex h IIC T6 Gb

Ex II 2 D Ex h IIIC T85°C Db

°C ≤ Ta ≤ 40 °C

Description	Valeur	Définition
Groupe de matériels	<b>II</b>	Industries de surface
Catégorie de matériels	<b>2</b>	Haut niveau de protection
<b>Groupe II</b>		<ul style="list-style-type: none"> <li>• zone 1 (gaz)</li> <li>• zone 2 (gaz)</li> <li>• zone 21 (poussière)</li> <li>• zone 22 (poussière)</li> </ul>
Atmosphère	<b>G</b>	Atmosphère contenant des gaz, des vapeurs ou un brouillard
	<b>D</b>	Atmosphère contenant de la poussière
Concept de sécurité	<b>h</b>	Produit mécanique
Groupe de gaz	<b>IIC</b>	Hydrogène/acétylène
	<b>IIB</b>	Éthylène
Groupe de poussières	<b>IIIC</b>	Poussière combustible en surface
Température superficielle maxi. dans une atmosphère contenant des <b>gaz</b>		<b>T1</b> = 450 °C <b>T2</b> = 300°C <b>T3</b> = 200°C <b>T4</b> = 135 °C <b>T5</b> = 100°C <b>T6</b> = 85°C
Température superficielle maxi. dans une atmosphère contenant des <b>poussières</b>		Exemples de températures : <b>T85</b> °C <b>T110</b> °C <b>T120</b> °C <b>T125</b> °C <b>T240</b> °C
Restriction spéciale, <b>X</b>		comme par exemple la plage de température ambiante.

## Informations utiles

### Site web

Connectez-vous à Atlas Copco: [www.atlascopco.com](http://www.atlascopco.com).

Sur notre site Web, vous trouverez des informations concernant nos produits, accessoires et pièces de rechange ainsi que la documentation qui s'y rapporte.

### Pays d'origine

Prière de se reporter aux informations figurant sur l'étiquette du produit.

### Garantie

- La garantie du produit expirera 12 mois après la mise en service initiale du produit et dans tous les cas au plus tard 13 mois après la livraison.
- L'usure normale des pièces n'est pas comprise dans la garantie.
  - L'usure normale est celle nécessitant un changement de pièces ou autres opérations de réglage et de révision pendant l'entretien courant de l'outil pendant la période donnée (exprimée en temps, heures de fonctionnement ou autres).
- La garantie du produit repose sur une utilisation correcte, un entretien normal et des réparations appropriées de l'outil et de ses composants.
- La détérioration des pièces consécutive à un entretien inadéquat ou réalisé par des parties autres que Atlas Copco ou ses partenaires d'entretien agréés pendant la période de garantie ne sera pas prise en charge.
- Pour éviter la détérioration ou la destruction de certaines parties de l'outil, il convient de procéder à l'entretien de ce dernier conformément aux périodicités d'entretien recommandées et de suivre les bonnes consignes.
- Les réparations dans le cadre de la garantie ne sont effectuées que dans les ateliers de Atlas Copco ou par des partenaires d'entretien agréés.

Atlas Copco propose une extension de garantie et un entretien préventif à la pointe de la technologie par le biais de ses contrats ToolCover. Pour en savoir plus, s'adresser au représentant SAV local.

Pour les moteurs électriques :

- La garantie ne s'appliquera que si le moteur électrique n'a pas été ouvert.

### ServAid

Le portail ServAid contient des informations techniques pour tous les matériels et logiciels telles que :

- Informations réglementaires et sur la sécurité
- Caractéristiques techniques
- Instructions d'installation, d'exploitation et d'entretien
- Nomenclatures de pièces détachées
- Accessoires

ServAid est continuellement mis à jour et disponible sur :

<https://servaid.atlascopco.com>

Pour plus de renseignements, prendre contact avec votre représentant Atlas Copco.

### Fiches de données de sécurité FDS

Les fiches de données de sécurité décrivent les produits chimiques vendus par Atlas Copco.

Pour en savoir plus, consulter le site web :

[www.atlascopco.com/sds](http://www.atlascopco.com/sds)

## Technische Daten

### Technische Daten

Bestell-Nr.	8411033965
Modell	LZB34-RL-AR005-11
Luftbedarf im Leerlauf	l/s
Luftbedarf im Leerlauf	cfm
Luftbedarf bei Vollast	7.9 l/s
Luftbedarf bei Vollast	16.8 cfm
Bremsmoment	Nm
Bremsmoment	ft lb
Eingebaute Bremse	No
Material, Außenteile	Stainless steel
Leerlaufdrehzahl	450 U/min
Max. Leistung	0.25 kW
Max. Leistung	0.34 hp
Min. Startmoment	12.6 Nm
Min. Startmoment	9.3 ft lb
Verhältnis	
Drehrichtung	Reversible
Code für die Wellenbelastung	c
Wellenart	Keyed
Drehzahl bei max. Leistung	240 U/min
Stillstandsmoment	19.6 Nm
Stillstandsmoment	14.5 ft lb
Drehmoment bei max. Leistung	9.8 Nm
Drehmoment bei max. Leistung	7.2 ft lb
Schieberart	Lubrication free
Gewicht	1.2 kg
Gewicht	2.65 lb
Einlassschlauch	10 mm
Einlassschlauch	0.4 in
IP-Schutzart	IP66/IP68/IP69
Auslassschlauch	10 mm
Auslassschlauch	0.4 in
IP-Schutzart	IP66/IP68/IP69

## IP-Schutzart

Die IP-Schutzart der Druckluftmotoren gilt für das mechanische Gehäuse gemäß der Norm IEC 60529. Die IP-Schutzart deckt weder die Korrosionsbeständigkeit noch andere Flüssigkeiten außer sauberem Süßwasser ab.

## Erklärungen

### EU-EINBAUERKLÄRUNG

Wir, **Atlas Copco Industrial Technique AB**, SE-105 23 STOCKHOLM SWEDEN, erklären hiermit in alleiniger Verantwortung, dass dieses Produkt (mit Bezeichnung, Typ und Seriennummer laut Deckblatt) die folgenden wesentlichen Anforderungen der Maschinenrichtlinie 2006/42/EG erfüllt:

2006/42/EC (Annex I, clauses 1.1, 1.2 (excluding 1.2.4.3), 1.3, 1.4, 1.5, 1.6, 1.7)

Sowie, dass diese unvollständige Maschine den Bestimmungen der folgenden weiteren EU-Richtlinie(n) entspricht: 2014/34/EU (ATEX)

Die unvollständige Maschine darf erst dann in Betrieb genommen werden, nachdem gegebenenfalls bestätigt wurde, dass die Maschine, in die sie eingebaut werden soll, den Bestimmungen der Maschinenrichtlinie 2006/42/EG entspricht.

Es wurden die folgenden (Teile/Klauseln von) europäischen, harmonisierten Normen angewandt:

EN 1127-1:2019, EN ISO 12100:2010, EN ISO 80079-36:2016, EN ISO 80079-37:2016

Die entsprechende technische Dokumentation wurde zusammengestellt und übermittelt gemäß Maschinenrichtlinie 2006/42/EC Teil B von Anhang VII und ATEX-Richtlinie 2014/34/EU Artikel 13 (1) b) ii in der Benannten Stelle ExVeritas ApS (EU-Identifikationsnummer 2804) in Dänemark. Behörden können die technische Unterlage für die ATEX-Richtlinie 2014/34/EU in Papierform anfordern von: <https://www.exveritas.com/2022/02/02/what-you-need-for-atex-and-ukca-explosive-atmosphere-certification-for-the-uk-and-eu-markets/>

Stockholm, 1 September 2023

**Håkan Andersson, Managing Director**

Unterschrift des Ausstellers



## Regionale Anforderungen

### ⚠️ WARNUNG

Dieses Produkt kann Sie Chemikalien, einschließlich Blei, aussetzen, was nach Kenntnis des Bundesstaats Kalifornien zu Krebserkrankungen und Geburtsfehlern oder sonstigen Schäden am Fortpflanzungssystem führen kann. Weitere Informationen finden Sie unter [www.P65Warnings.ca.gov](http://www.P65Warnings.ca.gov)

## Informationen zu Artikel 33 in REACH

Die Verordnung (EG) Nr. 1907/2006 des Europäischen Parlaments und des Rates zur Registrierung, Bewertung, Zulassung und Beschränkung chemischer Stoffe (REACH) definiert unter anderem Anforderungen an die Kommunikation innerhalb der Lieferkette. Die Informationspflicht gilt auch für Produkte, die sogenannte besonders besorgniserregende Stoffe enthalten (die „Kandidatenliste“). Am 27. Juni 2018 wurde Blei (CAS Nr. 7439-92-1) in die Kandidatenliste aufgenommen.

Gemäß den oben genannten Verordnungen und Hinweise informieren wir Sie hiermit darüber, dass bestimmte mechanische Komponenten des Produkts Blei enthalten können. Dies steht im Einklang mit den geltenden Rechtsvorschriften für Stoffbeschränkungen und basiert auf legalen Ausnahmen in der RoHS-Richtlinie (2011/65/EU). Bei normalem Gebrauch treten aus dem Produkt kein Blei oder Bleiderivate aus und die Bleikonzentration liegt weit unterhalb des geltenden Grenzwerts. Beachten Sie am Ende der Produktlebensdauer die vor Ort geltenden Bestimmungen zur Entsorgung von Blei.

## Sicherheit

### ⚠️ WARNUNG Gefahr von Sachschäden oder schweren Verletzungen

Stellen Sie vor Einsatz des Werkzeugs sicher, dass Sie alle Anleitungen lesen, verstehen und befolgen. Nichtbeachtung der Anweisungen kann zu Stromschlag, Brand, Sachschäden und/oder schweren Körperverletzungen führen.

- ▶ Lesen Sie alle Sicherheitsinformationen, die zusammen mit den unterschiedlichen Systembestandteilen mitgeliefert wurden.
- ▶ Lesen Sie alle Produktanweisungen für die Installation, den Betrieb und die Wartung der unterschiedlichen Systembestandteile.
- ▶ Lesen Sie alle vor Ort geltenden Sicherheitsbestimmungen hinsichtlich des Systems und seiner Bestandteile.
- ▶ Bewahren Sie alle Sicherheitsinformationen und Anweisungen zur künftigen Verwendung auf.

## Nutzungserklärung

Dieser Motor ist zur Integration in eine stationäre oder sich bewegende Maschine vorgesehen. Er ermöglicht entweder nur Rechtsdrehung, nur Linksdrehung oder eine umkehrbare Drehrichtung und darf je nach den gegebenen Umständen nur am Flansch oder am Gewindeansatz montiert werden. Sonstige Anwendungen sind unzulässig. Nur zum Gebrauch durch ausgebildete Fachkräfte.

Das Risiko, dass Motoren in einer potenziell explosionsgefährdeten Umgebung eine Zündquelle darstellen, ist extrem klein. Der Benutzer ist dafür verantwortlich, die mit der gesamten Maschine, in die der Motor integriert wird, verbundenen Risiken zu bewerten.

**Produktspezifische Anweisungen**

**Warnung**

**⚠️ WARNUNG Gefahren in Zusammenhang mit Polymeren**

Die in diesem Produkt eingesetzten Schieber enthalten PTFE (ein synthetisches Fluorpolymer). Verschleißbedingt können sich PTFE-Partikel im Inneren des Produkts befinden. Erhitztes PTFE kann Dämpfe abgeben, die Polymerfieber mit grippeähnlichen Symptomen hervorrufen. Das Risiko ist insbesondere in Verbindung mit dem Rauch von kontaminiertem Tabak erhöht.

Beim Umgang mit Schiebern und anderen Bauteilen sind die Empfehlungen zu Gesundheitsschutz und Sicherheit im Zusammenhang mit PTFE einzuhalten:

- ▶ Während der Vornahme von Servicearbeiten an diesem Produkt nicht rauchen
- ▶ PTFE-Partikel dürfen nicht mit offenem Feuer, Glut oder Hitze in Kontakt geraten
- ▶ Die Motorbauteile dürfen nicht mit Druckluft sauber geblasen werden, sondern sind mit Reinigungsflüssigkeit zu reinigen
- ▶ Vor anderen Tätigkeiten die Hände waschen.

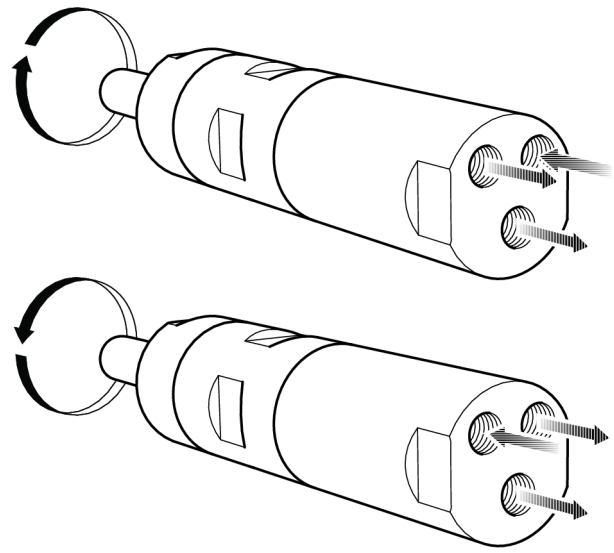
**IP-Schutzart**

Die IP-Schutzart des Motors wurde unter Druckbedingungen festgelegt und gilt nicht für den Auslass oder den angeschlossenen Schalldämpfer. Wenn der Motor unter Wasser oder in starker Wasserströmung betrieben wird, sollte der Auslass mit einem Schlauch aus dem Wasser herausgeführt werden. Unter Wasser muss der Innendruck des Motors stets höher sein als der Wasserdruck in der entsprechenden Tiefe.

**Anschluss der Luftversorgung**

Wenn die Druckluftversorgung an den Einlass angeschlossen ist, entspricht die Drehrichtung der Abbildung unten. Wenn die Abluft weggeleitet werden soll, muss hierzu ein Schlauch an den Abluftauslass angeschlossen werden.

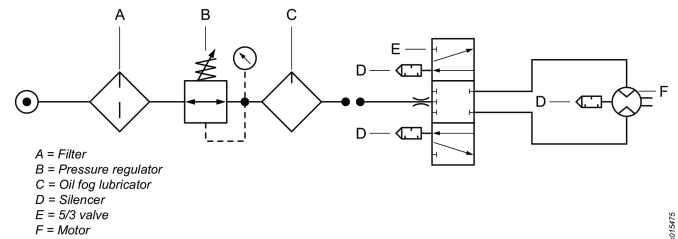
Die Druckluftzufuhr sollte am entsprechenden Einlass für die gewünschte Drehrichtung angeschlossen werden, siehe Abbildung unten. Der nicht genutzte Einlass dient als zusätzlicher Ausgang und darf nicht verstopft werden.



s015473

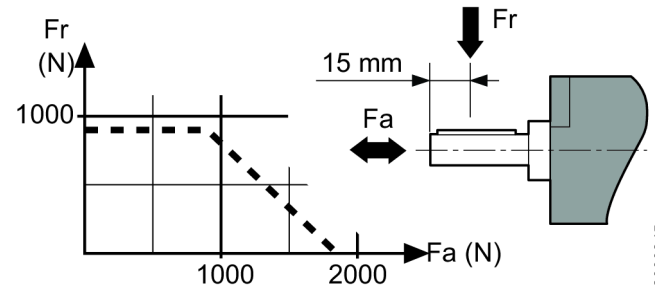
**Aufstellungsplan**

Umschaltbarer Motor



en1675

**Diagramm – Wellenbelastung**

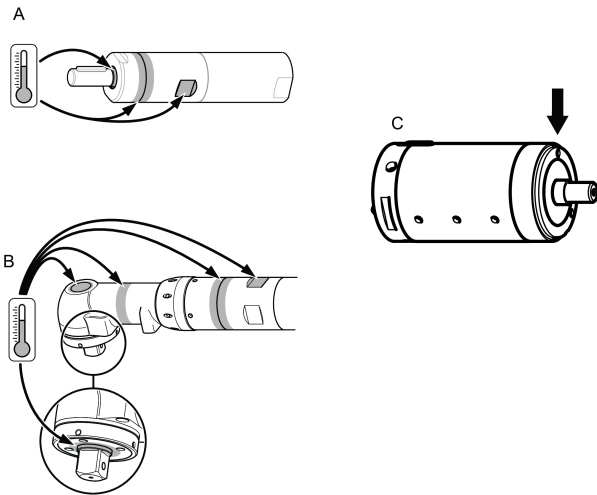


8000345

**Heißpunkte**

Während des Betriebs können folgende Heißpunkte am Motor hohe Temperaturen erreichen: Das Bild zeigt Heißpunkte für bestimmte Modelle:

- Dichtring an der Abtriebswelle (A, B, C)
- Gelenk zwischen vorderem Teil und Zahnkranz (A, B)
- Schlüsselgriff (A, B)



Die höchsten Temperaturen treten auf, wenn der Motor unbelastet bei vollem Druck läuft. Bei steigendem Drehmoment drosselt der Druckluftmotor die Drehgeschwindigkeit und damit die Temperatur.

### Warnung

Diese Bedienungsanleitung vor der Inbetriebnahme des Motors gründlich durchlesen und beim Betrieb genau befolgen.

Motor und Zubehör dürfen nur für den vorgesehenen Zweck verwendet werden.

Aus Gründen der Produkthaftung und Betriebssicherheit müssen alle Änderungen an Motore und/oder Zubehör vom dafür verantwortlichen Techniker des Herstellers genehmigt werden.

### Zur Vermeidung von Verletzungen und langfristigen Schäden:

- Wenn der Motor ATEX-zertifiziert ist, müssen Filter/ Geräuschkämpfer an der Auslassöffnung des Motors installiert werden.

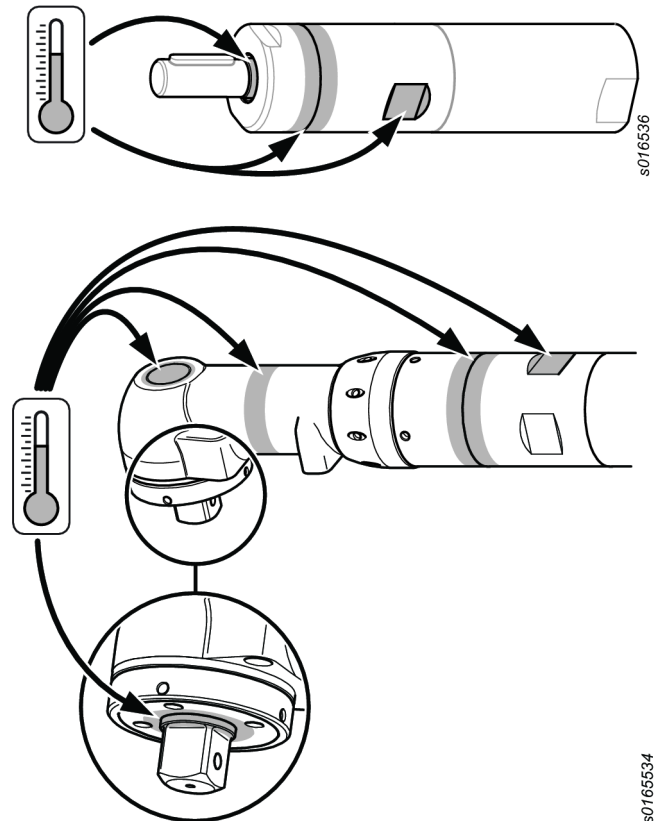
Zur Reduzierung der Lärmbelastung wird auch für andere Anwendungen die Verwendung eines Schalldämpfers empfohlen.

- Vor der Ausführung von Einstellarbeiten den Motor von der Druckluftleitung trennen!
- **Schützen Sie Ihre Hände, Haare und Kleidung vor dem Erfassen durch rotierende Teile.**

### Wartung

- Wartungs- und Reparaturarbeiten an diesem ATEX-Produkt dürfen lediglich von entsprechend autorisiertem Personal ausgeführt werden. Anschließend müssen eine Leerlaufprüfung sowie Temperaturmessungen an den Heißpunkten (siehe Abbildung) vorgenommen und schriftlich aufgezeichnet werden.

Nach einer Leerlaufprüfung mit mindestens 5 Minuten Dauer darf die Oberflächentemperatur die Summe aus  $45^{\circ}\text{C} + \text{Umgebungstemperatur}$  nicht überschreiten, wobei die Umgebungstemperatur zwischen  $0 - 40^{\circ}\text{C}$  liegen kann.



### Allgemeine Sicherheitshinweise

Um die Gefahr einer Verletzung so gering wie möglich zu halten, haben Personen, die dieses Werkzeug gebrauchen, installieren, reparieren, warten, Zubehör austauschen oder sich in der Nähe des Werkzeugs aufhalten, die folgenden Anweisungen zu beachten.

Es ist unser Anliegen, Werkzeuge herzustellen, die Sie bei der Arbeit sicher und wirksam unterstützen. Der Hauptverantwortliche für Ihre Sicherheit sind SIE. Sorgfalt und Umsicht sind der beste Schutz vor Verletzungen. Diese Sicherheitshinweise enthalten einige der wichtigsten Gefahrenquellen; sie können jedoch nicht alle möglichen Gefahren abdecken.

- Dieses Elektrowerkzeug sollte nur von entsprechend geschulten Personen installiert, eingerichtet und verwendet werden.
- Werkzeug und Zubehör dürfen in keinem Fall modifiziert werden.
- Dieses Werkzeug bei einer Beschädigung nicht verwenden.
- Wenn auf dem Werkzeug befindliche Schilder zu Nenn-drehzahl und Betriebsdruck oder Gefahrenwarnschilder unleserlich werden oder sich ablösen, diese sofort ersetzen.

**ⓘ Für zusätzliche Sicherheitshinweise folgende Unterlagen/Instanzen zu Rate ziehen:**

- Weitere Unterlagen und Informationen, die dem Werkzeug beiliegen.
- Arbeitgeber, Gewerkschaft und/oder Fachverband.
- Ergänzende Hinweise zu Arbeitsschutz und Sicherheit am Arbeitsplatz auf folgenden Webseiten:
  - <http://www.osha.gov> (USA)
  - <https://osha.europa.eu/> (Europa)

**Gefahrenhinweise für Luftzufuhr und -anschlüsse**

- Druckluft kann schwere Verletzungen verursachen.
- Schließen Sie stets die Luftzufuhr, lassen Sie die Druckluft aus dem Schlauch entweichen und trennen Sie das Werkzeug von der Luftzufuhr, wenn das Werkzeug nicht in Gebrauch ist und bevor Sie Zubehör austauschen oder Reparaturen ausführen.
- Richten Sie die Druckluft nie auf sich oder andere.
- Lose, unter Druck stehende Schläuche können schwere Verletzungen verursachen. Überprüfen Sie das Werkzeug stets auf beschädigte oder lose Schläuche und Anschlussstücke.
- Beachten Sie die Höchstgrenze für den Luftdruck von 6,3 bar (90 psig) bzw. die auf dem Typenschild des Werkzeugs angegebene Höchstgrenze.

**Gefahren durch Verfangen**

- Halten Sie immer ausreichend Abstand von der umlaufenden Antriebsspindel. Halten Sie weite Kleidung, Handschuhe, Schmuck, Krawatten, Halstücher und Haare vom Werkzeug und Zubehör fern. Eine Verwicklung kann zur Strangulierung, Skalpierung und/oder zu Schnittwunden führen.

**Gefahren im Zusammenhang mit katapultierten Bauteilen**

- Tragen Sie stets schlagfeste Schutzbrillen und Gesichtsschutz, wenn Sie mit dem Werkzeug arbeiten, es warten oder reparieren, Zubehör austauschen oder sich in der Nähe der Arbeiten am oder mit dem Werkzeug aufhalten.
- Kontrollieren Sie, ob alle anderen Personen im Bereich schlagfesten Augen- und Gesichtsschutz tragen. Selbst kleine Geschosse können Augen verletzen und zur Erblindung führen.
- Stellen Sie sicher, dass das Werkstück sicher fixiert ist.

**Gefahren während des Betriebs**

- Spannen Sie das Werkzeug sicher ein.
- Stellen Sie vor Entnahme des Werkstücks sicher, dass das Werkzeug zum vollständigen Stillstand gekommen ist.
- Installieren Sie an der Maschine, in die der Motor/Regelmotor eingebaut wird, stets Bedienelemente für Start und Stopp sowie Not-Aus-Stellteile.

**Gefahren im Zusammenhang mit Lärm**

- Starke Lärmpegel können zu permanentem Hörverlust und anderen Problemen, wie beispielsweise Tinnitus, führen. Verwenden Sie einen Gehörschutz laut Empfehlung Ihres Arbeitgebers bzw. entsprechend den Gesundheits- und Sicherheitsbestimmungen.

- Nehmen Sie Betrieb und Wartung des Werkzeugs sowie Auswahl, Wartung und Ersatz der Zubehörteile und Verbrauchsmaterialien gemäß dieser Bedienungsanleitung vor, um unnötige Anstiege des Lärmpegels zu vermeiden.

**Gefahren am Arbeitsplatz**

- Ausrutschen, Stolpern und Stürze gehören zu den häufigsten Verletzungs- oder Todesursachen. Stellen Sie sicher, dass weder auf dem Boden noch auf der Arbeitsfläche Schläuche herumliegen, die nicht gebraucht werden.
- Vermeiden Sie das Einatmen von Staub oder Dämpfen oder den Umgang mit Rückständen, die bei der Arbeit entstehen und möglicherweise gesundheitsschädlich sein können (wie beispielsweise Krebs, Geburtsfehler, Asthma und/oder Dermatitis). Bei Arbeiten, in deren Verlauf Stäube entstehen, sind eine Staubabsauganlage sowie Atemschutzgeräte zu verwenden.
- Bestimmte Stäube, die beim Schmirgeln, Sägen, Schleifen, Bohren und bei anderen Herstellungs- und Bautätigkeiten entstehen, enthalten Chemikalien, die nach dem Informationsstand des US-Bundesstaates Kalifornien Krebs sowie embryonale Missbildungen oder sonstige Störungen der Fortpflanzungsorgane hervorrufen. Unter anderem sind folgende Chemikalien schädlich:
  - Blei aus bleihaltigen Farben und Lacken
  - Kristalliner Silikastein, Zement und sonstige Baustoffe
  - Arsen und Chrom aus chemisch behandeltem Gummi.

Das Ausmaß Ihrer Gefährdung hängt u. a. von der Häufigkeit ab, mit der Sie diesen Stoffen ausgesetzt sind. So schützen Sie sich bestmöglich gegen solche Chemikalien: Achten Sie auf eine ausreichende Belüftung des Arbeitsbereichs und arbeiten Sie mit der angebrachten Sicherheitsausrüstung wie Staubschutzmasken mit speziellen Mikropartikelfiltern.

- Gehen Sie in unbekanntem Umgebungen mit Vorsicht vor. Seien Sie sich potenziellen Gefahren bewusst, die durch Ihre Arbeit entstehen. Dieses Werkzeug ist nicht für den Kontakt mit elektrischen Stromquellen isoliert.

**NICHT WEGWERFEN – AN BENUTZER WEITERLEITEN**

**Schilder und Aufkleber**

Am Produkt befinden sich Schilder und Aufkleber, die wichtige Angaben zur Personensicherheit und Produktwartung enthalten. Die Schilder und Aufkleber müssen immer gut leserlich sein. Neue Schilder und Aufkleber können mithilfe der Ersatzteilliste bestellt werden.



s011050

**Angaben zur ATEX-Zertifizierung**

**Temperaturwerte**

- Die höchstzulässige Umgebungstemperatur für diese Zertifizierung beträgt 40°C.

- 40°C stellt gleichzeitig auch die höchstzulässige Temperatur für die Druckluft beim Eintritt in das Produkt dar.
- Wenn das Produkt als Ausstattungskomponente montiert ist, muss die gesamte Ausstattung den Anforderungen der Richtlinie 2014/34/EU entsprechen.
- Es ist sicherzustellen, dass die Druckluft unsere Qualitätsanforderungen erfüllt (Qualitätsklassen 2.4.3. und 3.4.4 bzw. 3.5.4 gemäß ISO/DIS 8573-1:2010).
- Den Maximaldruck von 6,3 bar bzw. den auf dem Typenschild des Produkts angegebenen Druck nicht überschreiten. Ein Überschreiten des Betriebsdrucks kann dazu führen, dass sich die Oberflächentemperatur aufgrund der höheren Rotationsgeschwindigkeit erhöht, und dass das Produkt zu einer Zündquelle werden kann.

### Ex-Klassifizierung

Sollte das Produkt Bestandteil einer Baugruppe sein, bei der die einzelnen Komponenten eine unterschiedliche Ex-Klassifizierung umfassen, bestimmt die Komponente mit dem niedrigsten Sicherheitsniveau die für die gesamte Baugruppe geltende Ex-Klassifizierung.

### Explosionsschutz-Richtlinien

#### Sauberkeit

- Sicherstellen, dass das Produkt sauber Staub und Schmutz gehalten wird, um eine erhöhte Lager- und Oberflächentemperatur zu verhindern.
- Bei Verwendung eines Schalldämpfers: Am Luftablass ist ein Auspufftopf mit Filterwirkung zu montieren, um das Eindringen von durch Reibung erhitzten Teilen in die Umgebungsatmosphäre zu verhindern.

#### Verwendung

- Sicherstellen, dass das Produkt an der Potenzialausgleichsanlage der Werkstatt geerdet ist, z. B. durch Zubehör wie Schläuche und Luftdruckanschlüsse.
- Der Benutzer muss sicherstellen, dass das Produkt und alle möglichen Zubehörteile, wie beispielsweise Schraubenschlüssel und Luftanschlüsse, den im jeweiligen Land geltenden Sicherheitsbestimmungen für Geräte, die in Bereichen mit potenzieller Explosionsgefahr verwendet werden, entsprechen.

### ATEX-Codedefinition

Der ATEX-Code ist:



Ex II 2 G Ex h IIC T6 Gb

Ex II 2 D Ex h IIIC T85°C Db

°C ≤ Ta ≤ 40 °C

Beschreibung	Wert	Definition
Gerätegruppe	II	Nicht Bergbau

Beschreibung	Wert	Definition
Gerätegruppe	2	Hohes Schutzniveau
<b>Gruppe II</b>		<ul style="list-style-type: none"> <li>• Zone 1 (Gas)</li> <li>• Zone 2 (Gas)</li> <li>• Zone 21 (Staub)</li> <li>• Zone 22 (Staub)</li> </ul>
Umgebung	<b>G</b>	Umgebung, in der Gas, Dämpfe oder Nebel vorhanden sind
	<b>D</b>	Umgebung, in der Staub vorhanden ist
Sicherheitsdesign	<b>h</b>	Mechanisches Produkt
Gasgruppe	<b>IIC</b>	Wasserstoff / Acetylen
	<b>IIB</b>	Ethylen
Staubgruppe:	<b>IIIC</b>	Oberflächlicher brennbarer Staub
Max. Oberflächentemperatur in einer Umgebung, in der <b>Gas</b> vorhanden ist		<b>T1</b> = 450 °C <b>T2</b> = 300°C <b>T3</b> = 200°C <b>T4</b> = 135°C <b>T5</b> = 100°C <b>T6</b> = 85°C
Max. Oberflächentemperatur in einer Umgebung, in der <b>Staub</b> vorhanden ist		Beispieltemperaturen: T85 °C T110 °C T120 °C T125 °C T240 °C
Besondere Einschränkung, beispielsweise Umgebungstemperaturbereich.	<b>X</b>	

### Nützliche Informationen

#### Website

Anmeldung bei Atlas Copco: [www.atlascopco.com](http://www.atlascopco.com).

Auf unserer Website finden Sie Informationen zu unseren Produkten, Zubehör und Ersatzteilen sowie diverse Veröffentlichungen.

#### Herkunftsland

Beziehen Sie sich bitte auf die auf dem Produktetikett angegebenen Informationen.

## Garantie

- Die Produktgarantie läuft 12 Monate nach dem ersten Einsatz des Produkts ab, aber in jedem Fall spätestens 13 Monate nach Auslieferung.
- Normaler Verschleiß von Teilen wird nicht von der Garantie abgedeckt.
  - Unter normalem Verschleiß versteht man, dass während der für diesen Zeitraum typischen Standardwerkzeugwartung Teile ausgetauscht oder Einstellungen / Verbesserungsarbeiten durchgeführt werden müssen (ausgedrückt in Zeit, Betriebsstunden, oder anderweitig).
- Die Produktgarantie stützt sich auf einen korrekten Einsatz, Wartung und Reparatur des Werkzeugs und seiner Bestandteile.
- Schäden an Teilen, die als Folge einer unzureichenden Wartung oder eines falschen Einsatzes durch andere Parteien als Atlas Copco oder deren zertifizierten Service-Partner während der Garantiezeit verursacht werden, sind nicht durch die Garantie gedeckt.
- Um eine Beschädigung oder Zerstörung von Werkzeugteilen zu vermeiden, warten Sie das Werkzeug entsprechend der empfohlenen Wartungspläne und befolgen Sie die richtigen Anweisungen.
- Garantiereparaturen werden nur in Atlas Copco-Werkstätten oder von einem zertifizierten Service-Partner ausgeführt.

Atlas Copco bietet eine erweiterte Garantie und eine vorbeugende Wartung nach dem neuesten Stand der Technik durch seine ToolCover-Verträge. Weitere Informationen erhalten Sie von Ihrem lokalen Servicerepräsentanten.

Für Elektromotoren:

- Die Garantie gilt nur dann, wenn der Elektromotor nicht geöffnet wurde.

## ServAid

ServAid ist ein Portal, das technische Informationen für alle Hardware- und Softwareprodukte enthält, wie unter anderem:

- Behörden- und Sicherheitsinformationen
- Technische Daten
- Installations-, Betriebs- und Wartungsanweisungen
- Ersatzteillisten
- Zubehör

ServAid wird kontinuierlich aktualisiert und ist verfügbar unter: <https://servaid.atlascopco.com>

Weitere Informationen erhalten Sie bei Ihrem zuständigen Atlas Copco Vertreter.

## Sicherheitsdatenblätter MSDS/SDS

Die Sicherheitsdatenblätter stellen Angaben zu von Atlas Copco erhältlichen Chemikalien bereit.

Weitere Informationen finden Sie auf der Website:

[www.atlascopco.com/sds](http://www.atlascopco.com/sds)

## Datos técnicos

### Datos técnicos

Designación	8411033965
Modelo	LZB34-RL-AR005-11
Consumo de aire a velocidad en vacío	l/s
Consumo de aire a velocidad en vacío	cfm
Consumo de aire a máxima potencia	7.9 l/s
Consumo de aire a máxima potencia	16.8 cfm
Par de frenada	Nm
Par de frenada	ft lb
Freno incorporado	No
Material de las piezas externas	Stainless steel
Velocidad en vacío	450 rpm
Potencia máxima	0.25 kW
Potencia máxima	0.34 hp
Par mínimo de arranque	12.6 Nm
Par mínimo de arranque	9.3 ft lb
Relación	
Dirección de giro	Reversible
Código de carga del eje	c
Tipo de eje	Keyed
Velocidad a potencia máxima	240 rpm
Par máximo	19.6 Nm
Par máximo	14.5 ft lb
Par a potencia máxima	9.8 Nm
Par a potencia máxima	7.2 ft lb
Tipo de aletas	Lubrication free
Peso	1.2 kg
Peso	2.65 lb
Manguera de admisión	10 mm
Manguera de admisión	0.4 pulgadas
Clasificación de la protección de ingreso	IP66/IP68/IP69
Manguera de salida	10 mm
Manguera de salida	0.4 pulgadas
Grado de protección	IP66/IP68/IP69

### Grado de protección

El grado de protección de los motores neumáticos está relacionado con la caja mecánica de acuerdo con la norma IEC 60529. El grado de protección no cubre resistencia a la corrosión o cualquier líquido aparte de agua dulce y limpia.

## Declaraciones

### DECLARACIÓN DE INCORPORACIÓN DE LA UE

Nosotros, **Atlas Copco Industrial Technique AB**, SE-105 23 STOCKHOLM SWEDEN, declaramos bajo nuestra exclusiva responsabilidad que este producto (con nombre, tipo y número de serie, consultar portada) cumple los siguientes requisitos esenciales de la Directiva sobre Maquinaria 2006/42/CE:

2006/42/EC (Annex I, clauses 1.1, 1.2 (excluding 1.2.4.3), 1.3, 1.4, 1.5, 1.6, 1.7)

Y esta maquinaria completada parcialmente cumple las disposiciones del resto de las siguientes Directivas UE: 2014/34/EU (ATEX)

Esta maquinaria completada parcialmente no debe ponerse en servicio hasta que la maquinaria final, en la que debe incorporarse, haya sido declarada conforme a las disposiciones de la Directiva sobre Maquinaria 2006/42/CE, si procede.

Se han aplicado las siguientes partes/cláusulas de normas armonizadas europeas:

EN 1127-1:2019, EN ISO 12100:2010, EN ISO 80079-36:2016, EN ISO 80079-37:2016

La documentación técnica relevante se ha recopilado y enviado acuerdo con la parte B del Anexo VII de la Directiva de Máquinas 2006/42/CE y el Artículo 13 (1) b) II de la directiva 2014/34/UE en el Organismo de Notificación ExVeritas ApS (N.º identificación UE 2804) en Suecia. Las autoridades pueden solicitar el archivo técnico correspondiente a la Directiva ATEX 2014/34/UE en formato papel a:

<https://www.exveritas.com/2022/02/02/what-you-need-for-atex-and-ukca-explosive-atmosphere-certification-for-the-uk-and-eu-markets/>

Stockholm, 1 September 2023

**Håkan Andersson, Managing Director**

Firma del emisor



### Requisitos regionales

#### ⚠️ ADVERTENCIA

Este producto le puede exponer sustancias químicas, como plomo, considerado por el Estado de California como causante de cáncer y de malformaciones congénitas u otros daños reproductivos. Para más información visite [www.P65Warnings.ca.gov](http://www.P65Warnings.ca.gov)

### Información relacionada con el Artículo 33 en REACH

El Reglamento europeo (UE) n.º 1907/2006 relativo al registro, evaluación, autorización y restricción de las sustancias y preparados químicos (REACH) define, entre otras cosas, los

requisitos relacionados con la comunicación en la cadena de suministro. El requisito de información también es aplicable a los productos que contengan las llamadas Sustancias muy preocupantes (la «Lista de candidatos»). El 27 de junio de 2018 se añadió el plomo (CAS n.º 7439-92-1) a la Lista de candidatos.

De acuerdo con lo mencionado anteriormente, el objetivo del presente documento es informarle de que determinados componentes mecánicos en el producto pueden contener plomo. El presente documento es de conformidad con la legislación sobre restricción de sustancias actual y se basa en las exenciones legítimas en la Directiva RoHS (2011/65/UE). No se producirán fugas de plomo ni mutará a partir del producto durante el uso normal y la concentración de plomo en el producto completo se encuentra bastante por debajo del límite umbral aceptable. Tenga en cuenta los requisitos locales sobre el desecho del plomo al final de la vida útil del producto.

## Seguridad

### ⚠️ ADVERTENCIA Riesgo de daños a la propiedad y de lesiones graves

Asegúrese de leer, entender y seguir todas las instrucciones antes de utilizar la herramienta. Si no se siguen todas las instrucciones, pueden producirse descargas eléctricas, incendios, daños a la propiedad y/o lesiones personales graves.

- ▶ Lea toda la información de seguridad suministrada con las diferentes partes del sistema.
- ▶ Lea todas las instrucciones del producto para la instalación, el uso y el mantenimiento de las diferentes partes del sistema.
- ▶ Lea todas las normas sobre seguridad legisladas de forma local relacionadas con el sistema y las partes del mismo.
- ▶ Guarde todas las instrucciones y la información de seguridad para futuras consultas.

### Declaración de uso

Este motor está diseñado para su incorporación en una máquina fija o móvil. Puede girar solo hacia la derecha, solo hacia la izquierda o en rotación reversible y debe montarse solo con brida o con espiga roscada, según corresponda. No se permite ningún otro uso. Sólo para uso profesional.

El riesgo de que los motores sean la causa de la ignición de una atmósfera potencialmente explosiva es extremadamente bajo. El usuario es responsable de la evaluación de los riesgos asociados con la totalidad de la máquina en la que se va a incorporar el motor.

**Instrucciones específicas para el producto**

**Advertencia**

**⚠ ADVERTENCIA Riesgo por la presencia de polímeros**

Las aletas de este producto contienen PTFE (un fluo-ropolímero sintético). Es posible que haya presencia de partículas de PTFE en el interior del producto debido al desgaste. Al calentar el PTFE se puede producir un humo que provoca la fiebre por vapores de polímeros, cuyos síntomas son similares a los de la gripe, especialmente si se fuma tabaco contaminado.

Al manipular las aletas y el resto de componentes deben seguirse las recomendaciones de seguridad y salud referentes a PTFE.

- ▶ No fume al realizar cualquier tipo de servicio en este producto.
- ▶ Las partículas de PTFE no deben entrar en contacto con fuego, partículas incandescentes ni fuentes de calor
- ▶ Los componentes del motor deben lavarse con un fluido de limpieza y no debe utilizarse ninguna línea de aire para secarlos
- ▶ Lávese las manos antes de comenzar a realizar cualquier otra actividad

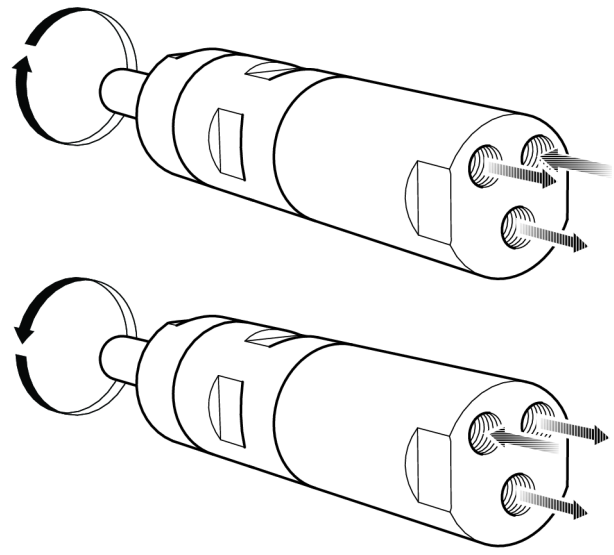
**Grado de protección**

El grado de protección de los motores neumáticos se define bajo estado presurizado y excluye la salida o el silenciador acoplado. Si el motor funcionará sumergido o en chorros de agua intensos, se recomienda dirigir la salida lejos del agua con una manguera. Cuando esté sumergido, mantenga siempre el motor presurizado con una presión superior a la profundidad correspondiente.

**Conexión del suministro eléctrico**

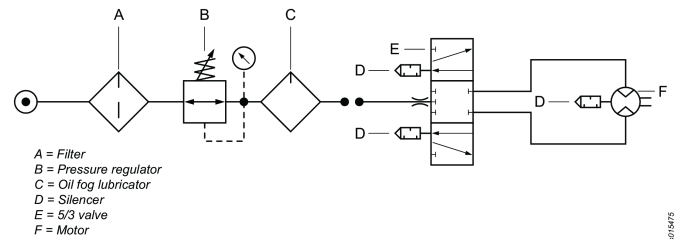
Cuando se conecta el suministro de aire comprimido a la entrada, la dirección de giro será la que se muestra en la figura inferior. Si debe conducirse el aire de escape al exterior, deberá conectar una manguera a la salida de escape.

El suministro de aire comprimido debe conectarse a la entrada que proporcione la dirección de giro deseada, ver figura inferior. La entrada que no se esté usando funciona como salida adicional y no se debe taponar.

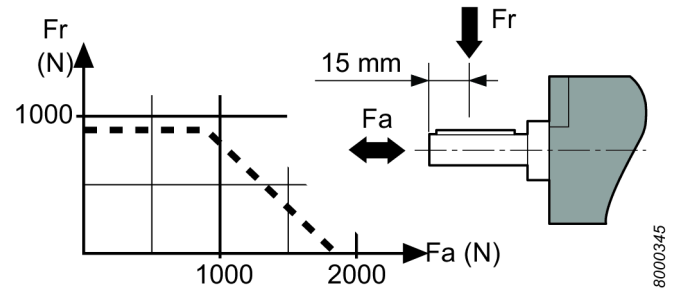


**Diagrama de instalación**

Motor reversible



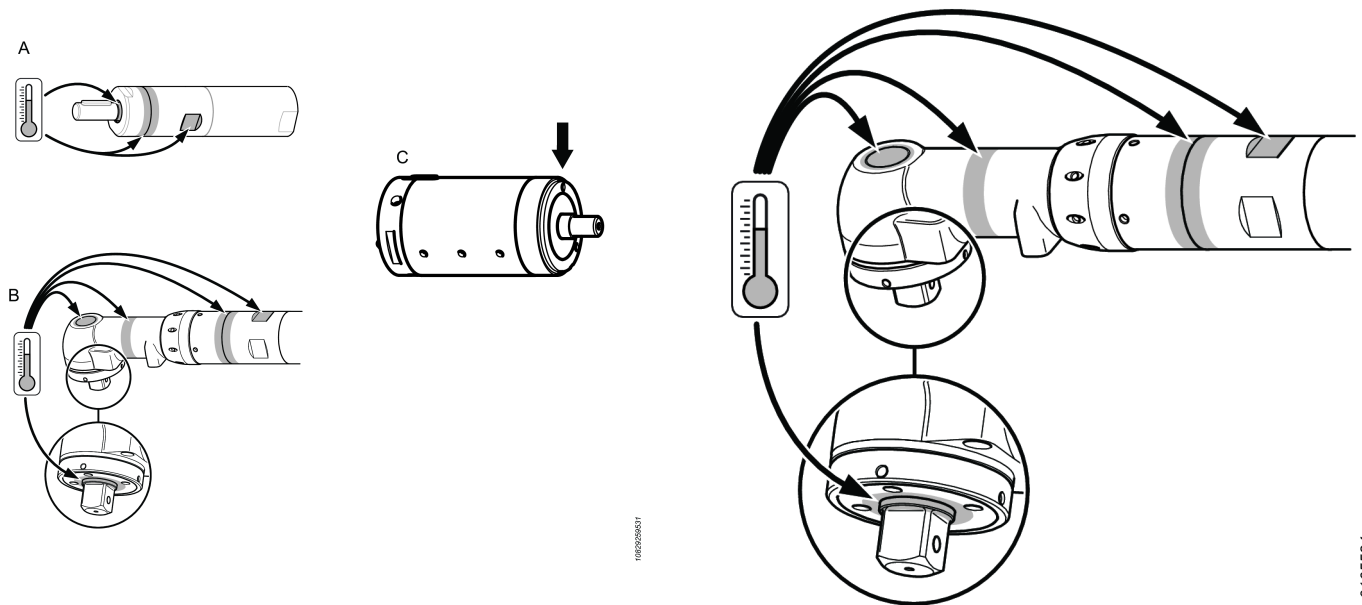
**Diagrama de carga del eje**



**Puntos calientes**

Los siguientes puntos calientes en el motor pueden alcanzar altas temperaturas durante su funcionamiento. La imagen muestra puntos calientes para modelos específicos:

- Anillo de obturación del eje de transmisión (A, B, C)
- Junta entre la pieza y la corona de dentada (A, B)
- Empuñadura de la llave (A, B)



Las temperaturas más altas se producen cuando el motor funciona a máxima presión sin carga. Al aumentar el par, el motor de aire reduce la velocidad de rotación y la temperatura.

### Advertencia

Asegurarse de que el operador ha comprendido totalmente estas instrucciones antes de poner en marcha el motor.

El motor, junto con todos los adaptadores y accesorios, sólo deberá usarse para el objeto de diseño.

Por razones de responsabilidad y seguridad del producto, toda modificación del motor o de sus accesorios ha de ser acordada con el responsable técnico del fabricante.

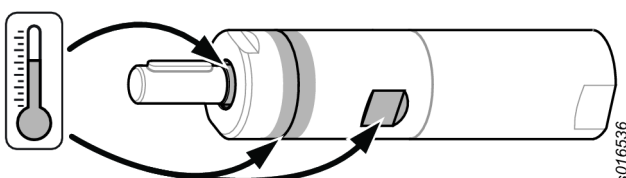
### Para prevenir las lesiones y los riesgos a largo plazo:

- Si el motor cuenta con certificación ATEX, será necesario instalar un filtro/silenciadores en los puertos de salida del motor.  
Los silenciadores se recomiendan también para reducir la exposición al ruido en otras aplicaciones.
- Desconecte el motor de la tubería de aire antes de realizar labores de ajuste.
- **Cuide que sus manos, cabello o ropa, estén fuera del alcance de las piezas en rotación.**

### Mantenimiento

- Del mantenimiento y las reparaciones de este producto ATEX debe encargarse exclusivamente el personal autorizado. Después de dichas labores debe efectuarse una prueba sin carga y realizarse mediciones de temperatura en los puntos calientes (como indica la figura) y registrarse en un informe.

Después de una prueba de 5 minutos sin carga, la temperatura de la superficie no debe exceder la suma de  $45^{\circ}\text{C}$  + temperatura ambiente, en la que la temperatura ambiente puede variar entre  $0 - 40^{\circ}\text{C}$ .



### Instrucciones generales de seguridad

Con el fin de reducir el riesgo de lesión, toda persona que utilice, instale, repare, mantenga, cambie accesorios o trabaje cerca de esta herramienta debe leer y comprender estas instrucciones antes de llevar a cabo cualquiera de las tareas antes mencionadas.

Nuestro objetivo es producir herramientas que le ayuden a trabajar de un modo eficaz y seguro. USTED es el dispositivo de seguridad más importante de esta herramienta y de cualquier otra. Su atención y sentido común son la mejor protección para evitar lesiones. Es imposible cubrir aquí todos los peligros existentes, pero hemos intentado resaltar algunos de los más importantes.

- Solamente operarios cualificados y plenamente formados deben instalar, ajustar o utilizar esta herramienta eléctrica.
- No se debe modificar ningún aspecto de esta herramienta ni de sus accesorios.
- No utilice esta herramienta si está dañada.
- Si las señales de velocidad nominal, presión operativa o de advertencia de peligro situadas en la herramienta dejan de ser legibles o se desprenden, sustitúyalas sin demora.

### **i** Si desea obtener información adicional sobre seguridad, consulte:

- La documentación e información que acompaña a la máquina.
- La empresa, sindicato y/o asociación comercial.
- Asimismo, podrá encontrar más información sobre seguridad y salud de los trabajadores en los siguientes sitios web:
  - <http://www.osha.gov> (EE. UU.)
  - <https://osha.europa.eu/> (Europa)

### Peligro en el suministro de aire y las conexiones

- El aire a presión puede causar lesiones graves.

- Siempre antes de realizar reparaciones o cambiar accesorios, apague el suministro de aire, vacíe la manguera de presión de aire y desconecte la herramienta del suministro de aire cuando no esté en uso.
- Nunca apunte la salida de aire hacia usted o hacia ninguna otra persona.
- Las manguera de conexión puede causar lesiones graves. Siempre debe comprobar las mangueras y los ajustes dañados o sueltos.
- La presión de aire no puede exceder un máximo de 6,3 bar / 90 psi o según se especifique en la placa de identificación de la herramienta.

**Riesgos de atrapamiento**

- No se acerque al eje giratorio. Pueden producirse estrangulamientos, pérdidas de cabello y/o laceraciones si no se mantiene la ropa, las joyas, los colgantes y el pelo alejados de la herramienta y de los accesorios.

**Riesgos de emisión de proyectiles**

- Utilice siempre protección facial y ocular resistente a impactos cuando esté en contacto o próximo al funcionamiento, reparación o mantenimiento de la herramienta o al cambio de accesorios de la misma.
- Asegúrese de que todas las personas del área de trabajo utilicen protección resistente a los choques para la cara y los ojos. Incluso los proyectiles más pequeños pueden dañar los ojos y provocar ceguera.
- Asegúrese de que la pieza de trabajo esté bien sujeta.

**Riesgos derivados del uso**

- Sujete firmemente la herramienta.
- Antes de sacar el trabajo, asegúrese de que la herramienta está totalmente detenida.
- Instale siempre controles de encendido, parada y parada de emergencia en la máquina en la que va a incorporar el motor/motor de par.

**Peligros asociados al ruido**

- Los altos niveles de sonido pueden causar la pérdida permanente de audición y otros problemas como los acúfenos. Utilice protectores para los oídos tal como lo recomiende su empleador o de acuerdo a los reglamentos de higiene y seguridad laboral.
- Para evitar aumentos innecesarios de los niveles de ruido, utilice y mantenga la herramienta, y seleccione, mantenga y sustituya los accesorios y los consumibles, de acuerdo con este manual de instrucciones.

**Riesgos en el lugar de trabajo**

- Resbalones, tropiezos y caídas son las causas más frecuentes de lesiones graves o muerte. Preste atención a las mangueras que se encuentren en el suelo o en la superficie de trabajo.
- Evite inhalar polvo o humos o manejar residuos del proceso de trabajo que puedan causar problemas de salud (como cáncer, defectos congénitos, asma y/o dermatitis). Utilice un mecanismo de extracción de polvo y use equipo de protección respiratoria cuando trabaje con materiales que producen partículas que pueden ser transportadas por el aire.

- Las operaciones de lijar, aserruchar, esmerilar, taladrar y otras actividades de construcción producen polvo que podría contener productos químicos que se ha demostrado en el Estado de California que causan cáncer, defectos de nacimiento u otros daños reproductivos. Algunos ejemplos de estos productos químicos son los siguientes:

- Plomo de las pinturas con base de plomo
- Cemento y ladrillos de sílice cristalina y otros productos de mampostería
- Arsénico y cromo provenientes de madera químicamente tratada.

El riesgo de exposición varía de acuerdo con la frecuencia que usted realice este tipo de trabajo. Para reducir su exposición a estos productos químicos: trabaje en una área bien ventilada y con equipo de seguridad apropiado, tal como máscaras contra el polvo especialmente diseñadas para filtrar las partículas microscópicas.

- Proceda con cautela en los entornos desconocidos. Sea consciente de los posibles peligros creados por su actividad de trabajo. Esta herramienta no está aislada contra el contacto con fuentes de energía eléctrica.

---

**NO DESECHAR - ENTREGAR AL USUARIO**

---

**Símbolos y letreros**

El producto está equipado con signos y adhesivos que contienen información importante sobre seguridad personal y mantenimiento del producto. Los signos y los adhesivos deben ser fácilmente legibles en todo momento. Pueden solicitarse signos y adhesivos nuevos utilizando la lista de repuestos.



s011050

**Información sobre la certificación ATEX**

**Temperaturas**

- La temperatura máxima del entorno para la que la certificación es válida es 40°C.
- 40°C también es la temperatura máxima permitida del aire comprimido al entrar en el producto.
- Si el producto está instalado en un equipo, el equipo completo debe cumplir las especificaciones de la Directiva 2014/34/UE.
- Asegúrese de que el aire comprimido cumple nuestros requisitos de calidad (clases de calidad 2.4.3, 3.4.4 y 3.5.4 según norma ISO/DIS 8573-1:2010).
- La presión no puede exceder un máximo de 6,3 bar o según se especifique en la placa de identificación del producto. De sobrepasarse esta presión de trabajo, la temperatura de la superficie podría aumentar debido al incremento de la velocidad de rotación y el producto podría convertirse en una fuente de ignición.

## Clasificación Ex

Si el producto forma parte de un conjunto cuyos componentes tienen una clasificación Ex distinta, el componente con menor nivel de seguridad define la clasificación Ex de todo el conjunto.

## Directrices para la prevención de explosiones

### Limpieza

- Asegúrese de que el producto se mantiene limpio de polvo y suciedad para evitar el aumento de temperatura en los cojinetes y la superficie.
- Si utiliza un silenciador: Asegúrese de que se encuentra instalado un silenciador con efecto de filtrado en la salida de aire a fin de evitar la entrada de partículas calentadas por fricción en la atmósfera circundante.

### Uso

- Asegúrese de que el producto esté conectado a masa con el sistema de conexión equipotencial del taller, por ejemplo, por medio de accesorios como mangueras y conexiones de alta presión.
- El usuario es responsable de que todos los accesorios posibles para el producto, como las llaves y las conexiones neumáticas, cumplen las normas de seguridad nacionales para equipos utilizados en áreas potencialmente explosivas.

## Definición del código ATEX

El código ATEX es:



Ex II 2 G Ex h IIC T6 Gb

Ex II 2 D Ex h IIIC T85°C Db

$^{\circ}\text{C} \leq T_a \leq 40^{\circ}\text{C}$

Descripción	Valor	Definición
Grupo de equipos	<b>II</b>	Instalaciones de superficie
Clasificación de los equipos	<b>2</b>	Nivel alto de protección
<b>Grupo 2</b>		<ul style="list-style-type: none"> <li>• zona 1 (gas)</li> <li>• zona 2 (gas)</li> <li>• zona 21 (polvo)</li> <li>• zona 22 (polvo)</li> </ul>
Atmósfera	<b>G</b>	La atmósfera contiene gas, vapores o neblina
	<b>D</b>	La atmósfera contiene polvo
Diseño de seguridad	<b>h</b>	Producto mecánico

Descripción	Valor	Definición
Grupo de gas	<b>IIC</b>	Hidrógeno/ Acetileno
	<b>IIB</b>	Etileno
Grupo de polvos	<b>IIIC</b>	Polvo combustible de superficie
		<b>T1</b> = 450°C <b>T2</b> = 300°C <b>T3</b> = 200°C <b>T4</b> = 135°C <b>T5</b> = 100°C <b>T6</b> = 85°C
Temperatura máxima en superficie en atmósfera con <b>gas</b>		Temperaturas de ejemplo: T 85 °C T 110 °C T 120 °C T 125 °C T240°C
Temperatura máxima en superficie en atmósfera con <b>polvo</b>		
Restricción especial, por ejemplo, intervalo de temperatura ambiente.	<b>X</b>	

## Información de utilidad

### Sitio de Internet

Inicie sesión en Atlas Copco: [www.atlascopco.com](http://www.atlascopco.com).

En nuestro sitio web encontrará información referente a nuestros productos, accesorios, piezas de repuesto y material impreso.

### País de origen

Consulte la información en la etiqueta del producto.

### Garantía

- La garantía del producto finaliza 12 meses después de usar el producto por primera vez y, en cualquier caso, se terminará como muy tarde 13 meses después de la entrega.
- El desgaste y deterioro normales de las piezas no están cubiertos por la garantía.
  - El desgaste normal es aquel que requiere la sustitución de una pieza u otro ajuste/revisión durante el mantenimiento estándar de la herramienta para ese periodo (expresado en tiempo, horas de funcionamiento o de forma similar).
- La garantía del producto se basa en un uso, mantenimiento y reparación adecuados de la herramienta y sus componentes.

- El daño que sufran las piezas a consecuencia de un mantenimiento inadecuado o realizado por técnicos que no sean Atlas Copco o sus Socios de servicio certificados durante el periodo de garantía no está cubierto por la garantía.
- Para evitar los daños o la destrucción de las piezas de la herramienta, someta la herramienta a las operaciones de servicio que establece el plan recomendado de mantenimiento y siga las instrucciones adecuadas.
- Las reparaciones de garantía solo se realizan en los talleres de Atlas Copco o por sus Socios de servicio certificados.

Atlas Copco ofrece una garantía ampliada y un mantenimiento preventivo de vanguardia a través de sus contratos ToolCover. Para obtener más información, póngase en contacto con su representante de Servicio local.

Para los motores eléctricos:

- La garantía solo se aplicará si el motor eléctrico no se ha abierto.

## ServAid

ServAid es un portal con información técnica para todos los productos de hardware y software como:

- Información sobre regulaciones y seguridad
- Datos técnicos
- Instalación, funcionamiento e instrucciones de mantenimiento
- Listas de repuestos
- Accesorios

ServAid se actualiza continuamente y está disponible en:

<https://servaid.atlascopco.com>

Para obtener más información, póngase en contacto con su representante local de Atlas Copco.

## Hojas de datos de seguridad de MSDS/SDS

Las hojas de datos de seguridad describen los productos químicos vendidos por Atlas Copco.

Para obtener más información, consulte el sitio web:

[www.atlascopco.com/sds](http://www.atlascopco.com/sds)

## Dados técnicos

### Dados técnicos

Nº do pedido	8411033965
Modelo	LZB34-RL-AR005-11
Consumo de ar em velocidade l/s livre	
Consumo de ar em velocidade cfm livre	
Consumo de ar com saída máxima	7.9 l/s
Consumo de ar com saída máxima	16.8 cfm
Torque de freio	Nm

Torque de freio	ft lb
Freio embutido	No
Material das peças externas	Stainless steel
Velocidade livre	450 r/min
Saída máxima	0.25 kW
Saída máxima	0.34 hp
Torque inicial mínimo	12.6 Nm
Torque inicial mínimo	9.3 ft lb
Relação	
Direção de rotação	Reversible
Código de carga do eixo	c
Tipo de eixo	Keyed
Velocidade na saída máxima	240 r/min
Torque em stall	19.6 Nm
Torque em stall	14.5 ft lb
Torque na saída máxima	9.8 Nm
Torque na saída máxima	7.2 ft lb
Tipo de palheta	Lubrication free
Peso	1.2 kg
Peso	2.65 lb
Mangueira de entrada	10 mm
Mangueira de entrada	0.4 pol.
Classe de proteção contra ingresso	IP66/IP68/IP69
Mangueira de saída	10 mm
Mangueira de saída	0.4 pol.
Classificação IP	IP66/IP68/IP69

## Classificação IP

A classificação IP dos motores a ar referem-se à cobertura mecânica, de acordo com a norma IEC 60529. A classificação IP não cobre resistência à corrosão ou outros fluidos que não sejam água potável limpa.

## Declarações

### DECLARAÇÃO DE INCORPORAÇÃO UE

Nós da Atlas Copco Industrial Technique AB, SE-105 23 STOCKHOLM SWEDEN, declaramos, sob nossa exclusiva responsabilidade, que este produto (com nome, tipo e número de série, ver primeira página) atende aos requisitos essenciais da Diretiva de Máquinas 2006/42/EC a seguir:

2006/42/EC (Annex I, clauses 1.1, 1.2 (excluding 1.2.4.3), 1.3, 1.4, 1.5, 1.6, 1.7)

E que este equipamento parcialmente finalizado atende às disposições das outras Diretivas da UE a seguir: 2014/34/EU (ATEX)

O equipamento parcialmente concluído não deve ser colocado em funcionamento antes que o equipamento final ao qual ele deve ser incorporado seja declarado em conformidade com as disposições da Diretiva de Máquinas 2006/42/CE, conforme o caso.

As normas europeias harmonizadas a seguir (partes/cláusulas) foram aplicadas:

EN 1127-1:2019, EN ISO 12100:2010, EN ISO 80079-36:2016, EN ISO 80079-37:2016

A documentação técnica em questão foi compilada e comunicada de acordo com a Machinery Directive (Diretiva de Máquinas) 2006/42/EC parte B do Anexo VII e a Directive (Diretiva) ATEX 2014/34/UE Artigo 13 (1) b) ii no Órgão Certificador ExVeritas ApS (Identificação UE N° 2804) na Dinamarca. As autoridades podem solicitar o dossier técnico da Diretiva ATEX 2014/34/UE em formato impresso em: <https://www.exveritas.com/2022/02/02/what-you-need-for-atex-and-ukca-explosive-atmosphere-certification-for-the-uk-and-eu-markets/>

Stockholm, 1 September 2023

**Håkan Andersson, Managing Director**

Assinatura do emissor



### Requisitos regionais

#### ⚠️ AVISO

Este produto pode expor você a produtos químicos, entre eles o chumbo, conhecido no Estado da Califórnia por causar câncer e defeitos em recém-nascidos, além de outros danos à reprodução. Para mais informações, visite [www.P65Warnings.ca.gov](http://www.P65Warnings.ca.gov)

### Informações a respeito do Artigo 33 do REACH

O European Regulation (UE) n° 1907/2006, sobre Registros, Avaliação, Autorização e Restrição de Produtos Químicos (REACH), define, entre outras coisas, os requisitos relacionados à comunicação na cadeia de fornecimento. O requisito das informações aplica-se também a produtos que contêm as chamadas Substâncias de Preocupação muito elevada (a “Lista de Candidatos”). No dia 27 de junho de 2018 foi acrescentado à Lista de Candidatos o metal chumbo (CAS n° 7439-92-1).

Conforme o que foi dito acima, o objetivo do presente documento é informar que determinados componentes mecânicos do produto podem conter o metal chumbo. Isto está em conformidade com a atual legislação de restrição de substâncias e baseia-se em exceções legítimas da Diretiva RoHS (2011/65/EU). Não ocorre vazamento ou mutação do chumbo a partir do produto durante uso normal e a concentração do metal chumbo no produto completo fica bem abaixo do limite aplicável. Também deve-se levar em conta os requisitos locais relacionados ao descarte de chumbo no final da vida útil do produto.

## Segurança

### ⚠️ AVISO Risco de ferimentos graves ou danos materiais

Você deve ler, compreender e seguir todas as instruções antes de operar a ferramenta. Deixar de seguir todas as instruções poderá resultar em choque elétrico, incêndio, danos materiais e/ou ferimentos graves.

- ▶ Leia todas as informações sobre segurança fornecidas com as diferentes partes do sistema.
- ▶ Leia todas as instruções do produto para instalação, operação e manutenção das diferentes partes do sistema.
- ▶ Leia todas as normas de segurança locais relacionadas ao sistema e às peças.
- ▶ Mantenha todas as Informações e instruções de segurança para referência futura.

### Declaração de uso

Este motor foi projetado para ser incorporado a uma máquina móvel ou fixa. É somente para rotação para a direita, esquerda ou reversível e deve ser montado somente pelo flange ou pela ponta roscada, conforme apropriado. Não é permitido nenhum outro tipo de uso. Apenas para uso profissional.

O risco dos motores serem a fonte de ignição de um ambiente potencialmente explosivo é extremamente pequeno. O usuário é responsável por avaliar os riscos associados a máquina inteira na qual o motor será incorporado.

### Instruções específicas do produto

#### Atenção

#### ⚠️ AVISO Risco por polímero

As palhetas deste produto contêm PTFE (um fluoropolímero sintético). Em decorrência de desgaste, pode haver partículas de PTFE no interior do produto. Quando aquecido, o PTFE pode produzir vapores capazes de causar febre com sintomas de resfriado, especialmente quando se fuma tabaco contaminado.

As recomendações de Saúde e Segurança para o PTFE têm de ser obedecidas ao manusear palhetas e outros componentes:

- ▶ Não fume enquanto fizer a manutenção neste produto
- ▶ Partículas de PTFE não podem entrar em contato com chama aberta e fontes de incandescência ou calor
- ▶ Os componentes do motor devem ser lavados com fluido de limpeza e não devem receber jato de ar comprimido
- ▶ Lave as mãos antes de começar qualquer outra atividade.

### Classificação IP

A Classificação IP dos motores a ar é definida sob condição pressurizada e exclui a saída ou o silenciador acoplado. Se o motor operar submerso ou em jatos fortes de água, re-

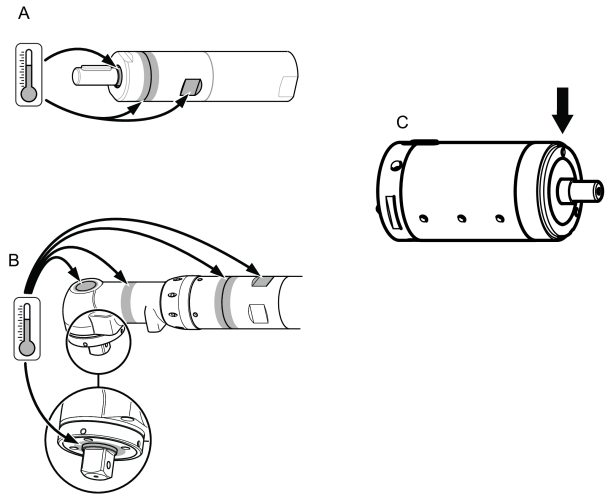
comenda-se direcionar a saída para fora da água com uma mangueira. Quando o motor ficar submerso, sempre o mantenha pressurizado com uma pressão mais elevada do que a profundidade correspondente.

**Conectando o suprimento de ar**

Quando o suprimento de ar comprimido está conectado à entrada, a direção de rotação será como mostrado na figura abaixo. Se o ar de exaustão deve ser expelido, uma mangueira deve ser conectada à saída de exaustão.

O suprimento de ar comprimido deve ser conectado à entrada correspondente à direção de rotação desejada; consulte a figura abaixo. A entrada que não está em uso funciona como uma saída adicional e não deve ser conectada.

- Anel de vedação do eixo de saída (A, B, C)
- Junta entre a parte frontal e anel de engrenagens (A, B)
- Suporte-chave (A, B)



As temperaturas mais elevadas ocorrem quando o motor está operando a uma pressão total sem carga. Com o aumento do torque, o motor de ar reduz a velocidade de rotação e a temperatura.

**Atenção**

Certifique-se de que você está familiarizado com as instruções operacionais antes de usar o motor.

Este motor, seus anexos e acessórios devem ser usados apenas para o propósito ao qual foram projetados.

Por razões de responsabilidade pelo produto e segurança, qualquer alteração no motor ou nos seus acessórios, que podem ter influência na responsabilidade pelo produto, devem estar de acordo com a autoridade técnica do fabricante.

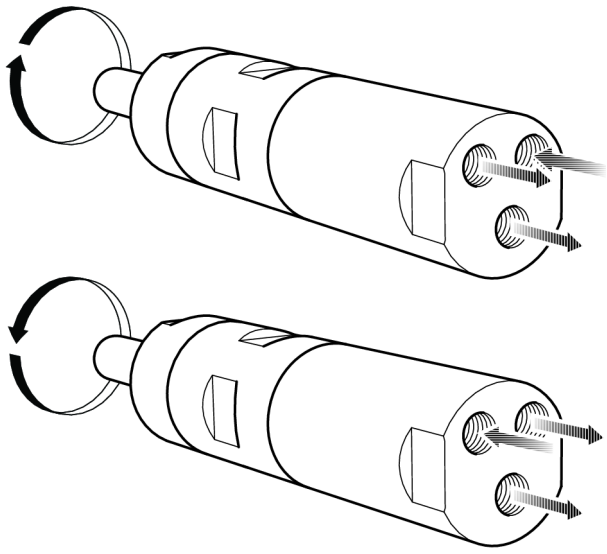
**Para prevenir acidentes pessoais e riscos a longo prazo:**

- Se o motor tiver certificação ATEX, os filtros/silenciadores devem ser instalados nas aberturas de saída do motor.
- Os silenciadores são recomendados também para outras aplicações para reduzir a exposição ao ruído.
- Desconecte o motor da linha de ar antes de qualquer operação de ajuste.
- **Preste atenção em suas mãos, cabelo e roupa – mantenha-os sempre longe das partes em rotação.**

**Manutenção**

- A manutenção e o reparo deste produto ATEX devem ser realizados exclusivamente por pessoal autorizado, depois disso um teste sem carga e medições de temperatura das áreas de calor (como vistos na figura) devem ser realizados e registrados em um relatório.

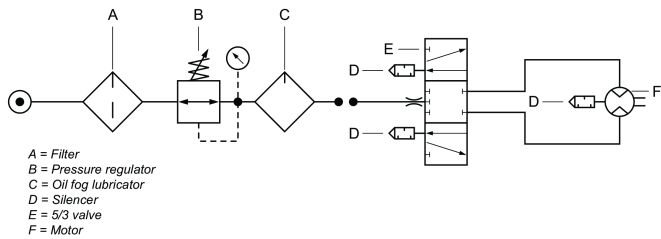
Após um teste sem carga de 5 min, a temperatura da superfície não deve exceder a soma de 45°C + temperatura ambiente, onde esta pode variar entre 0 – 40°C.



8015473

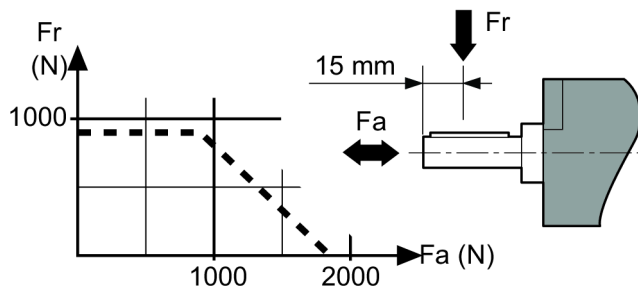
**Diagrama de Instalação**

Motor reversível



805475

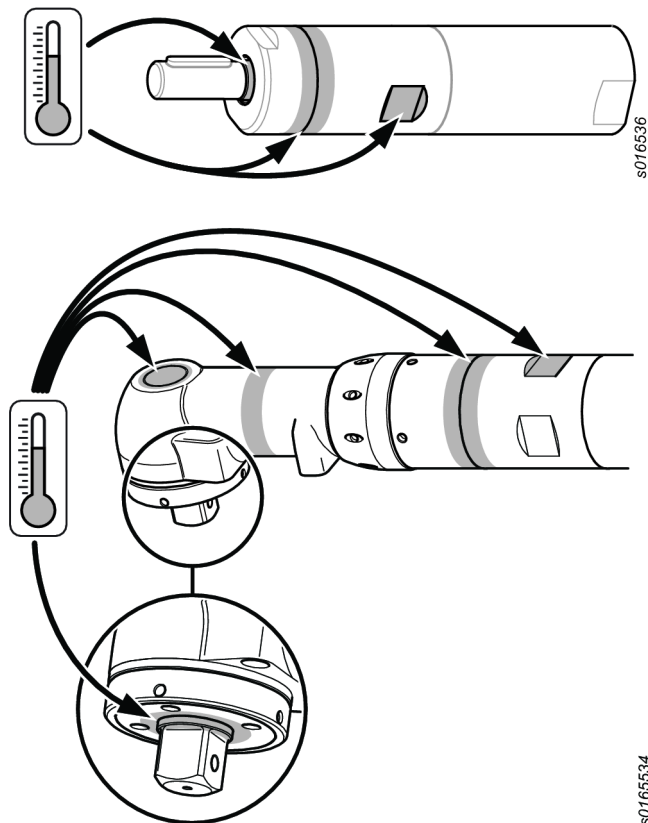
**Diagrama da carga do eixo**



8000345

**Pontos quentes**

As seguintes áreas quentes no motor podem atingir temperaturas elevadas durante a operação. A imagem mostra áreas quentes de modelos específicos:



### Instruções gerais de segurança

Para reduzir o risco de ferimentos, todos que estejam usando, instalando, reparando, fazendo manutenção, alterando acessórios ou trabalhando próximo desta ferramenta, devem ler e compreender estas instruções antes de realizar qualquer uma destas ações.

Nossa meta é produzir ferramentas que o ajudem a trabalhar com segurança e eficiência. O dispositivo de segurança mais importante para esta ou qualquer outra ferramenta é VOCÊ. Os seus cuidados e bom senso são a melhor proteção contra ferimentos. Não é possível cobrir aqui todos os riscos possíveis, mas tentamos destacar alguns dos mais importantes.

- Somente operadores qualificados e treinados devem instalar, ajustar ou usar esta ferramenta elétrica.
- Este produto e seus acessórios não devem ser modificados em qualquer circunstância.
- Não utilize essa ferramenta se ela foi danificada.
- Se a velocidade nominal, a pressão de operação ou os sinais de aviso de perigo na ferramenta deixa de ser legível ou se torna destacada, substitua-a sem atraso.

#### **i** Para mais informações de segurança, consulte:

- Outros documentos e informações que acompanham a ferramenta.
- O seu empregador, sindicato e/ou associação de classe.
- Outras informações sobre saúde e segurança ocupacional podem ser obtidas nos seguintes sites:
  - <http://www.osha.gov> (EUA)
  - <https://osha.europa.eu/> (Europa)

### Perigos de conexão e fornecimento de ar

- Ar pressurizado pode causar lesões graves.
- Feche sempre o fornecimento de ar, alivie a pressão da mangueira e desconecte a ferramenta da tomada de ar quando não estiver em uso, antes de alterar os acessórios ou fazer reparos.
- Nunca dirija o ar para si mesmo ou outra pessoa.
- Mangueiras chicoteando podem causar lesões graves. Verifique sempre se existem mangueiras e conexões danificadas ou soltas.
- Não exceda a pressão do ar máxima de 6,3 bar / 90 psi, ou como definido na placa de identificação da ferramenta.

### Riscos de emaranhar-se

- Mantenha distância do mecanismo de direção rotativo. Sufocamento, escarpelamento e / ou laceração podem ocorrer se usar roupas soltas, luvas, joias, colares e o cabelo não for mantido longe de ferramentas e acessórios.

### Perigo de projéteis

- Sempre use proteção para os olhos e o rosto quando se envolver ou trabalhar perto da ferramenta em operação, reparo ou manutenção ou durante uma troca de acessórios.
- Certifique-se de que todas as outras pessoas presentes nas imediações usam proteções faciais e oculares resistentes ao impacto. Até mesmo os mais pequenos projéteis podem ferir os olhos e provocar cegueira.
- Garanta que a peça a ser trabalhada esteja fixada de forma segura.

### Perigos de funcionamento

- Fixe a ferramenta com segurança.
- Garanta que a ferramenta está em uma parada completa antes de remover o trabalho.
- Sempre coloque controles de iniciar, parar e parada de emergência na máquina em que o motor/motor de torque esteja incorporado.

### Riscos por ruídos

- Níveis sonoros muito altos podem causar perda auditiva permanente e outros problemas como zumbido. Use a proteção auditiva recomendada pelo seu empregador e de acordo com os regulamentos de saúde e segurança ocupacional.
- Para evitar aumentos desnecessários de níveis de ruído opere e faça manutenção da ferramenta, e selecione, faça manutenção e substitua os acessórios e consumíveis de acordo com este manual de instruções.

### Perigos no local de trabalho

- Escorregões, tropeções e quedas são as maiores causas de lesões graves ou morte. Não deixe excesso de mangueira nas vias de acesso ou no local de trabalho.
- Evite inalar poeira ou fumaça, ou manusear detritos do processo de trabalho que podem causar males a saúde (por exemplo, câncer, defeitos de nascença, asma e/ou dermatite). Use equipamento extrator de poeira e equipamento de proteção respiratória quando trabalhar com materiais que produzam partículas em suspensão no ar.

- Certas poeiras criadas pelo jateamento, serração, esmerilhamento, perfuração e outras atividades mecanizadas de construção podem conter componentes químicos que o Estado da Califórnia reconhece como causadores de câncer, defeitos de nascença e outros prejuízos ao sistema reprodutor humano. Alguns exemplos desses componentes químicos são:

- Chumbo de tinta à base de chumbo
- Tijolos de sílica cristalina, cimento e outros produtos de alvenaria
- Arsênico e cromo da borracha tratada quimicamente.

Seu risco a essas exposições varia, dependendo da frequência que você realiza esse tipo de trabalho. Para reduzir sua exposição a esses componentes químicos: trabalhe em área bem ventilada e use equipamentos de proteção apropriados, como máscaras contra poeira que sejam especificamente indicadas para partículas microscópicas.

- Proceda com cuidado quando trabalhar em locais que não lhe são familiares. Fique atento a potenciais perigos que possam ser criados pela sua actividade e trabalho. Esta ferramenta não está protegida contra o contacto com fontes de alimentação eléctricas.

**NÃO JOGUE FORA – ENTREGUE AO USUÁRIO**

**Sinais e autocolantes**

O produto está equipado com sinais e autocolantes contendo informações importantes sobre segurança pessoal e manutenção do produto. Os sinais e autocolantes devem ser sempre fáceis de ler. Novos sinais e autocolantes podem ser encomendados utilizando a lista de peças sobressalentes.



s011050

**Informação de certificação do ATEX**

**Temperaturas**

- A certificação é válida para temperatura ambiente máxima de 40°C.
- 40°C é também a temperatura máxima permitida do ar comprimido quando este entra no produto.
- Se o produto for instalado em um equipamento, todo o equipamento deverá corresponder às diretrizes 2014/34/EU.
- O ar comprimido deve atender a nossas demandas de qualidade (classes de qualidade 2.4.3, 3.4.4 e 3.5.4, em conformidade com a ISO/DIS 8573-1:2010).
- Não exceda a pressão máxima de 6,3 bar ou como definido na placa de identificação do produto. Exceder a pressão de funcionamento pode aumentar a temperatura da superfície devido à maior velocidade de rotação e o produto pode se tornar uma fonte de ignição.

**Ex Classificação**

Se o produto fizer parte de um conjunto em que os componentes têm diferentes códigos Ex classificação, o componente com o menor nível de segurança define a Ex classificação de todo o conjunto.

**Diretrizes para evitar explosão**

**Limpeza**

- Verifique se o produto é mantido limpo e sem poeira para evitar o aumento da temperatura do rolamento e da superfície.
- Se usar silenciador: Confirme se o silenciador tem instalado um filtro na saída de ar para evitar que partículas aquecidas por atrito entrem na atmosfera do ambiente.

**Uso**

- Certifique-se de que o produto esteja aterrado ao sistema equipotencial de ligação da oficina, por exemplo, através de acessórios, como as conexões das mangueiras e da pressão do ar.
- É de responsabilidade do usuário certificar-se de que o produto e todos os acessórios possíveis, como as chaves de força e as conexões de ar, estejam em conformidade com os regulamentos de segurança nacional para equipamentos utilizados em áreas potencialmente explosivas.

**Definição do Código ATEX**

O código ATEX é:



Ex II 2 G Ex h IIC T6 Gb  
 Ex II 2 D Ex h IIIC T85°C Db  
 °C ≤ Ta ≤ 40 °C

Descrição	Valor	Definição
Grupo do equipamento	<b>II</b>	Indústria de Superfície
Categoria do equipamento	<b>2</b>	Nível de proteção elevado
<b>Grupo II</b>		<ul style="list-style-type: none"> <li>• zona 1 (gás)</li> <li>• zona 2 (gás)</li> <li>• zona 21 (poeira)</li> <li>• zona 22 (poeira)</li> </ul>
Atmosfera	<b>G</b>	Atmosfera contendo gás, vapores ou névoa
	<b>D</b>	Atmosfera contendo poeira
Design de segurança	<b>h</b>	Produto mecânico

Descrição	Valor	Definição
Grupo de gases	<b>IIC</b>	Hidrogênio/ Acetileno
	<b>IIB</b>	Etileno
Grupo de poeiras	<b>IIIC</b>	Poeira combustível em superfície
Temperatura máx. da superfície em at- mosfera com <b>Gás</b>		<b>T1</b> = 450 °C
		<b>T2</b> = 300°C
		<b>T3</b> = 200°C
		<b>T4</b> = 135 °C
		<b>T5</b> = 100°C
		<b>T6</b> = 85°C
Temperatura máx. da superfície em at- mosfera com <b>Poeira</b>		Exemplo de tem- peraturas:
		T85 °C
		T110 °C
		T120 °C
		T125 °C
	T240 °C	
Restrição especial, por exemplo, o in- tervalo da temper- atura ambiente.	<b>X</b>	

## Informação útil

### Website

Faça login em Atlas Copco: [www.atlascopco.com](http://www.atlascopco.com).

Você pode encontrar informações sobre nossos produtos, acessórios, peças sobressalentes e matérias publicadas no nosso site.

### País de origem

Consulte as informações na etiqueta do produto.

### Garantia

- A garantia do produto termina 12 meses após o primeiro uso do produto, porém, expirará, em qualquer caso, o mais tardar 13 meses após a entrega.
- O desgaste e estrago normais das peças não estão incluídos na garantia.
  - Para desgaste e estrago normais entende-se a necessidade de troca de uma peça ou outro ajuste/revisão durante a manutenção de ferramentas padrão normalmente para aquele período (expresso em tempo, horas de operação ou algum outro).
- A garantia do produto baseia-se no uso, manutenção e reparo corretos da ferramenta e de seus componentes.
- Danos a peças decorrentes de manutenção inadequada ou execução por terceiros que não Atlas Copco ou seus Prestadores de Serviço Autorizados durante o período de garantia não são cobertos pela mesma.

- Para evitar danos ou a destruição de peças da ferramenta, siga os programas de manutenção recomendados e as instruções corretas para fazer a manutenção da ferramenta.
- Os reparos de garantia são realizados apenas nas Atlas Copco oficinas ou pelos Prestadores de Serviço Autorizados.

Atlas Copco oferece garantia estendida e declara a manutenção preventiva através de seus contratos ToolCover. Para obter mais informações, entre em contato com seu representante de serviço local.

Para motores elétricos:

- A garantia será aplicada somente quando o motor elétrico não tenha sido aberto.

### ServAid

O ServAid é um portal que contém informações técnicas para todos os produtos de hardware e software, tais como:

- Informações regulatórias e de segurança
- Dados técnicos
- Instalação, funcionamento e instruções de manutenção
- Listas de peças sobressalentes
- Acessórios

O ServAid é continuamente atualizado e está disponível em: <https://servaid.atlascopco.com>

Para mais informações entre em contato com o seu representante local da Atlas Copco.

### Fichas de dados de segurança MSDS/SDS

As fichas de dados de segurança descrevem os produtos químicos vendidos pela Atlas Copco.

Para obter mais informações, visite o site: [www.atlascopco.com/sds](http://www.atlascopco.com/sds)

## Dati tecnici

### Dati tecnici

Ordine n	8411033965
Modello	LZB34-RL-AR005-11
Consumo d'aria a velocità libera	l/s
Consumo d'aria a velocità libera	cfm
Consumo d'aria alla massima potenza	7.9 l/s
Consumo d'aria alla massima potenza	16.8 cfm
Coppia frenante	Nm
Coppia frenante	ft lb
Freno incorporato	No
Materiale delle parti esterne	Stainless steel
Velocità libera	450 r/min
Potenza massima	0.25 kW

Potenza massima	0.34 hp
Coppia iniziale minima	12.6 Nm
Coppia iniziale minima	9.3 ft lb
Rapporto	
Direzione di rotazione	Reversible
Codice di caricamento dell'albero	c
Tipo di albero	Keyed
Velocità alla massima potenza	240 giri/min
Coppia di stallo	19.6 Nm
Coppia di stallo	14.5 ft lb
Coppia alla massima potenza	9.8 Nm
Coppia alla massima potenza	7.2 ft lb
Tipo di reparto	Lubrication free
Peso	1.2 kg
Peso	2.65 lb
Tubo di alimentazione	10 mm
Tubo di alimentazione	0.4 in
Grado di protezione di ingresso	IP66/IP68/IP69
Tubo di scarico	10 mm
Tubo di scarico	0.4 in
Classificazione IP	IP66/IP68/IP69

### Classificazione IP

La classificazione IP dei motori pneumatici si riferisce alla carcassa meccanica in base allo standard IEC 60529. La classificazione IP non indica la resistenza alla corrosione o ai liquidi diversi dall'acqua dolce pulita.

## Dichiarazioni

### DICHIARAZIONE DI INCORPORAZIONE UE

Noi **Atlas Copco Industrial Technique AB**, SE-105 23 STOCKHOLM SWEDEN, dichiariamo sotto esclusiva responsabilità che questo prodotto (con nome, tipo e numero di serie, vedi prima pagina) è conforme ai seguenti requisiti essenziali della Direttiva macchine 2006/42/CE

2006/42/EC (Annex I, clauses 1.1, 1.2 (excluding 1.2.4.3), 1.3, 1.4, 1.5, 1.6, 1.7)

e che questo macchinario parzialmente completato è conforme alle disposizioni delle seguenti altre direttive europee: 2014/34/EU (ATEX)

Il macchinario parzialmente completato non deve essere messo in servizio fino a quando il macchinario finale in cui verrà incorporato non sarà stato dichiarato conforme alle disposizioni della Direttiva macchine 2006/42/CE, ove appropriato.

Sono state applicate le seguenti (parti/clausole di) norme armonizzate europee:

EN 1127-1:2019, EN ISO 12100:2010, EN ISO 80079-36:2016, EN ISO 80079-37:2016

La documentazione tecnica pertinente è stata compilata e comunicata in conformità alla direttiva macchine 2006/42/CE parte B dell'allegato VII e alla direttiva ATEX 2014/34/UE articolo 13 (1) b) ii all'organismo notificato ExVeritas ApS (Identificazione UE No 2804) in Danimarca. Le autorità possono richiedere il file tecnico per la Direttiva ATEX 2014/34/UE in formato cartaceo a:

<https://www.exveritas.com/2022/02/02/what-you-need-for-atex-and-ukca-explosive-atmosphere-certification-for-the-uk-and-eu-markets/>

Stockholm, 1 September 2023

**Håkan Andersson, Managing Director**

Firma del dichiarante



### Requisiti della regione geografica

#### ATTENZIONE

Questo prodotto può causare esposizione a sostanze chimiche tra cui il piombo, note allo stato della California come causa di tumori e difetti congeniti o altri problemi riproduttivi. Per maggiori informazioni consultare [www.P65Warnings.ca.gov](http://www.P65Warnings.ca.gov)

### Informazioni sull'articolo 33 del REACH

Il Regolamento Europeo (UE) n. 1907/2006 sulla registrazione, valutazione, autorizzazione e restrizione delle sostanze chimiche (REACH) definisce, tra le altre cose, i requisiti relativi alla comunicazione nella catena di approvvigionamento. L'obbligo di informazione vale anche per i prodotti contenenti le cosiddette sostanze estremamente problematiche ("elenco delle sostanze candidate"). Il 27 giugno 2018, il piombo metallico (numero CAS 7439-92-1) è stato aggiunto all'elenco delle sostanze candidate.

In conformità con quanto indicato sopra, determinati componenti meccanici del prodotto potrebbero contenere piombo metallico. Ciò è in conformità con la legislazione vigente in materia di restrizione delle sostanze e in linea con le esenzioni legittime nella direttiva RoHS (2011/65/UE). Il piombo non colerà dal prodotto o si modificherà durante il normale utilizzo. La concentrazione di piombo nel prodotto completo è inferiore al limite di soglia applicabile. Valuta i requisiti locali sullo smaltimento del piombo al termine del ciclo di vita del prodotto.

## Sicurezza

### ⚠ ATTENZIONE Rischio di danni o lesioni gravi

Assicurarsi di leggere, comprendere e seguire tutte le istruzioni prima di usare l'utensile. La mancata osservanza delle istruzioni può provocare scosse elettriche, incendi, danni e/o gravi lesioni personali.

- ▶ Leggere tutte le Informazioni di sicurezza in dotazione ai diversi componenti del sistema.
- ▶ Leggere tutte le Istruzioni sul prodotto relative all'installazione, al funzionamento e alla manutenzione dei diversi componenti del sistema.
- ▶ Leggere tutte le normative locali di sicurezza che riguardano il sistema e suoi componenti.
- ▶ Conservare tutte le Informazioni di sicurezza e le istruzioni per consultarle eventualmente in futuro.

## Dichiarazione sull'utilizzo

Questo motore è progettato per essere incorporato in una macchina fissa o mobile. È adatto per la sola rotazione destrorsa, o la sola rotazione sinistrorsa, oppure la rotazione reversibile e deve essere montato solo mediante la flangia o il naso filettato, come appropriato. Nessun altro uso è permesso. Solo per utilizzo professionale.

Il rischio che i motori diventino una fonte di accensione di un'atmosfera potenzialmente esplosiva è estremamente ridotto. L'utente è responsabile della valutazione dei rischi associati a tutta la macchina nella quale deve essere incorporato il motore.

## Istruzioni specifiche sul prodotto

### Attenzione

#### ⚠ ATTENZIONE Rischio da polimeri

Le pale di questo prodotto contengono PTFE (un fluopolimero sintetico). A causa dell'usura, particelle di PTFE possono essere presenti all'interno del prodotto. Il PTFE riscaldato può produrre fumi che possono causare febbre con sintomi influenzali, specialmente fumando tabacco contaminato.

Rispettare sempre le norme di salute e sicurezza per il PTFE quando si lavora sulle pale ed altri componenti:

- ▶ Evitare di fumare lavorando su questo prodotto
- ▶ Le particelle di PTFE non devono entrare in contatto con fiamme vive, braci o fonti di calore
- ▶ I componenti del motore devono essere lavati con liquido detergente e non puliti tramite soffiaggio con aria compressa
- ▶ Lavarsi le mani prima di iniziare qualsiasi altra attività

## Grado di protezione IP

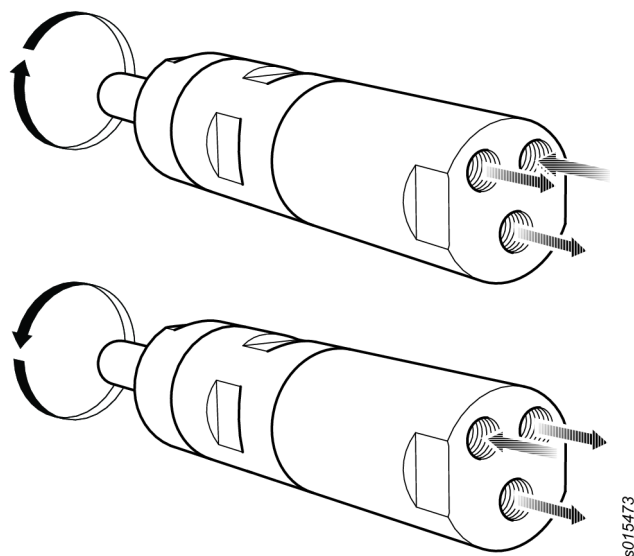
Il grado di protezione IP dei motori pneumatici è impostato in condizioni di pressione ed esclude la presa o il silenziatore collegato. Se il motore funziona in immersione o con getti

d'acqua pesanti, tenere l'uscita lontana dall'acqua con un tubo. Se immerso, tenere sempre il motore sotto pressione con una pressione più alta della profondità corrispondente.

## Collegamento dell'alimentazione pneumatica

Quando l'alimentazione di aria compressa è collegata all'ingresso, la direzione di rotazione sarà come mostrato nella figura seguente. Se l'aria di scarico deve essere sfiata tramite un tubo di scappamento, collegare un flessibile all'uscita di scarico.

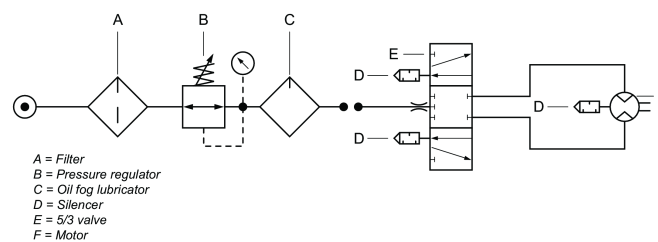
L'alimentazione di aria compressa deve essere collegata all'ingresso corrispondente per la direzione di rotazione desiderata, vedere la figura seguente. L'ingresso che non viene usato funziona come uscita aggiuntiva e non dev'essere collegata.



s015473

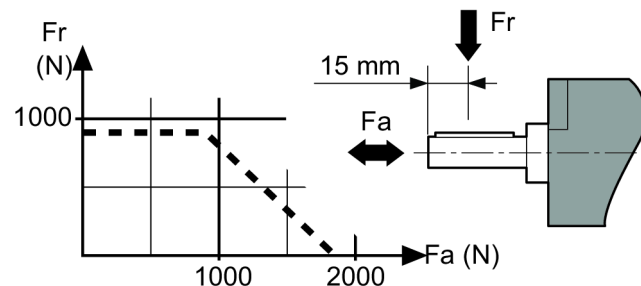
## Diagramma di installazione

Motore reversibile



a115475

## Diagramma del carico sull'albero

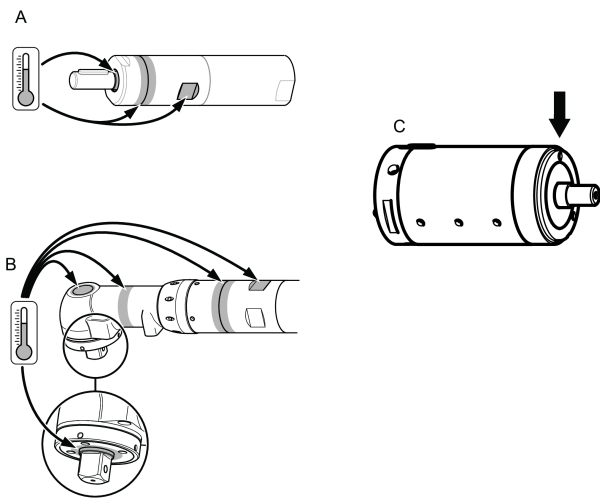


8000345

## Punti caldi

I seguenti punti caldi sul motore possono raggiungere temperature elevate durante il funzionamento. L'immagine mostra i punti caldi di modelli specifici:

- Anello di tenuta sull'albero di uscita (A, B, C)
- Giunzione tra parte anteriore e corona dentata (A, B)
- Impugnatura chiave (A, B)



Si verificano le temperature più elevate quando il motore funziona a piena pressione e senza carico. Con l'aumento della coppia, il motore pneumatico riduce la velocità di rotazione e la temperatura.

### Attenzione

L'operatore dovrà aver letto attentamente e capito le seguenti istruzioni prima di usare il motore.

Il motore, i collegamenti e gli accessori devono essere utilizzati esclusivamente per gli scopi espressamente indicati.

Per motivi di responsabilità civile e prevenzione infortuni, qualsiasi modifica al motore e suoi accessori deve essere autorizzata dall'ufficio tecnico responsabile del costruttore.

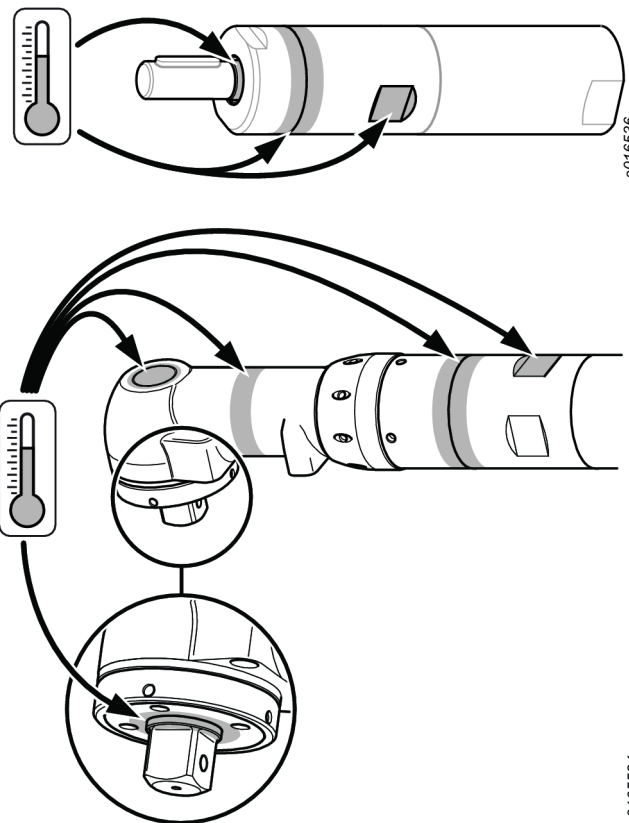
### Per prevenire il rischio di lesioni personali e danni connessi ad un utilizzo intensivo:

- Se il motore ha la certificazione ATEX, il filtro/silenziatori devono essere installati in corrispondenza dei fori di uscita del motore.  
I silenzatori sono consigliati anche per altre applicazioni per ridurre l'esposizione sonora.
- Scollegare il motore dalla tubazione dell'aria prima di qualsiasi operazione di regolazione.
- **Far attenzione alle mani, capelli e indumenti – Tenerli ben lontano da organi rotanti.**

### Manutenzione

- Gli interventi di manutenzione e le riparazioni di questo prodotto ATEX devono essere eseguiti esclusivamente da personale autorizzato, dopodiché deve essere svolta una prova in assenza di carico dei punti caldi (come mostrato in figura) misurando e registrando le temperature in un rapporto.

Dopo una prova in assenza di carico di 5 minuti rilevare che la temperatura superficiale non superi la somma di 45°C + temperatura circostante, dove la temperatura circostante può variare tra 0 – 40°C.



### Norme di sicurezza generali

Per diminuire il rischio di eventuali danni fisici, è necessario che chiunque si appresti ad utilizzare, installare, riparare, eseguire la manutenzione o la sostituzione di accessori o che semplicemente lavori nelle strette vicinanze di questo utensile legga e capisca tutti i punti delle presenti istruzioni.

Il nostro obiettivo è produrre utensili che aiutino a lavorare con efficienza e in sicurezza. Il dispositivo di sicurezza più importante per questo o per altri utensili è l'UTENTE. È innanzitutto l'utente che con una cura e un'attenzione particolari deve prevenire eventuali danni. Non è possibile trattare tutti i possibili rischi in questo documento, ma abbiamo cercato di evidenziare alcuni tra quelli più importanti.

- Questo utensile elettrico deve essere installato, regolato e utilizzato solo da personale qualificato ed addestrato.
- Questo prodotto e i relativi accessori non devono essere modificati.
- Non utilizzare l'utensile se è stato danneggiato.
- Se le targhette indicanti la velocità nominale, la pressione di esercizio e i segnali di pericolo sull'utensile diventano illeggibili o si staccano, sostituirle immediatamente.

### **i** Per ulteriori informazioni sulla sicurezza, consultare:

- Altri documenti e informazioni in dotazione a questo utensile.
- Il proprio datore di lavoro, sindacato e/o associazione professionale.
- Ulteriori informazioni sulla salute e la sicurezza sul lavoro sono disponibili sui seguenti siti Web:
  - <http://www.osha.gov> (USA)
  - <https://osha.europa.eu/> (Europa)

**Pericoli correlati a linee di alimentazione e connessioni dell'aria**

- L'aria sotto pressione può causare gravi lesioni personali.
- Chiudere sempre l'erogazione dell'aria e scollegare l'utensile dalla rete quando non viene utilizzato, prima di sostituire gli accessori o quando si eseguono riparazioni.
- Non dirigere mai il getto d'aria verso sé stessi o altre persone.
- I colpi di frusta dei tubi possono causare gravi danni. Controllare sempre tubi e raccordi per accertare eventuali perdite o danneggiamenti.
- Non superare il limite massimo di 6,3 bar (90 psig) di pressione dell'aria o il valore indicato sulla targhetta dell'utensile.

**Rischi causati dal rimanere impigliati**

- Tenersi distanti dal meccanismo di rotazione. Se indumenti larghi, guanti, gioielli e collane non sono tenuti a distanza dall'utensile e dagli accessori, si può rischiare il soffocamento e/o lacerazioni, anche al cuoio capelluto se i capelli restano impigliati.

**Rischio di espulsione di parti e frammenti**

- Indossare sempre protezioni antiurto per gli occhi e per il volto quando si lavora con l'utensile o in prossimità di esso per operazioni di manutenzione, funzionamento o riparazione o per la sostituzione di accessori.
- Accertarsi che tutto il personale in quella zona indossi protezioni resistenti per gli occhi e per il viso. Qualsiasi proiettile, per quanto piccolo, può ferire gli occhi e causare cecità.
- Verificare che il pezzo sia fissato saldamente.

**Rischi correlati all'uso dell'utensile**

- Serrare saldamente l'utensile.
- Verificare che l'utensile sia completamente arrestato prima di rimuovere il pezzo.
- Montare sempre i comandi di avvio, arresto e arresto di emergenza sulla macchina nella quale è incorporato il motore/motore di coppia.

**Rumori pericolosi**

- I livelli acustici eccessivi possono causare perdite di udito permanenti e problemi quali il tinnito auricolare. Utilizzare le protezioni acustiche raccomandate dal datore di lavoro o dai regolamenti relativi alla salute e sicurezza sul lavoro.
- Per impedire inutili aumenti dei livelli delle emissioni acustiche, l'uso e la manutenzione dell'utensile, nonché la scelta, manutenzione e sostituzione degli accessori e degli elementi di consumo devono essere conformi a quanto indicato nel presente manuale di istruzioni.

**Rischi relativi al luogo di lavoro**

- Scivolamenti, inciampi e cadute sono un'importante causa di infortuni gravi o mortali. Prestare attenzione alla presenza di tratti di tubo flessibile sulla superficie di calpestio o di lavoro.
- Evitare l'inalazione di polveri o fumi o il trattamento di residui dei processi di lavorazione che possono causare malattie (per esempio, cancro, malformazioni fetali, asma e/o dermatite). Utilizzare l'estrazione di polvere e indos-

sare attrezzature protettive per la respirazione durante il lavoro con materiali che producono particelle sospese nell'aria.

- La polvere prodotta da sabbiatura elettrica, utilizzo della sega, smerigliatura, perforazione e altre attività edili contiene sostanze chimiche che lo Stato della California ritiene provochino cancro, malformazioni del feto e disturbi dell'apparato riproduttivo. Si riportano di seguito alcuni esempi di tali sostanze chimiche:
  - piombo contenuto nelle vernici mattoni,
  - mattoni, cemento e altri materiali edili in silice cristallina
  - arsenico e cromo provenienti da gomma trattata chimicamente

I rischi derivanti dall'esposizione a tali materiali variano in base alla frequenza di svolgimento dell'attività. Per ridurre l'esposizione a tali sostanze chimiche: lavorare in aree ben ventilate e utilizzare dispositivi di sicurezza approvati, come le maschere antipolvere progettate appositamente per filtrare le particelle microscopiche.

- Prestare la massima attenzione quando si lavora in ambienti poco conosciuti. Essere consapevoli dei pericoli creati dall'attività lavorativa svolta. Questo utensile non è isolato dal contatto con sorgenti elettriche.

**NON GETTARE – CONSEGNARE ALL'UTENTE****Targhette ed etichette adesive**

Il prodotto possiede targhette e adesivi contenenti informazioni importanti sulla sicurezza personale e sulla manutenzione del prodotto. Le targhette e gli adesivi devono essere sempre leggibili. È possibile ordinare nuove targhette e adesivi facendo riferimento alla lista dei ricambi.



s011050

**Informazione sulla certificazione ATEX****Temperature**

- La certificazione è valida per una temperatura massima circostante di 40°C.
- Anche l'aria compressa deve avere una temperatura massima di 40°C al suo ingresso nel prodotto.
- Se il prodotto è installato in un'apparecchiatura, quest'ultima nella sua interezza deve ottemperare alle linee guida 2014/34/CE.
- Verificare che l'aria compressa soddisfi i requisiti di qualità previsti (classi di qualità 2.4.3. e 3.4.4 rispettivamente, 3.5.4 secondo ISO/DIS 8573-1:2010).
- Non superare il limite massimo di 6,3 bar di pressione o il valore indicato sulla targhetta del prodotto. Il superamento della pressione di esercizio può aumentare la temperatura superficiale a causa della velocità di rotazione superiore, e il prodotto può diventare una fonte di accensione.

### Classificazione Ex

Se il prodotto fa parte di un gruppo in cui i componenti hanno classificazioni Ex diverse il componente con il livello di sicurezza più basso definisce la classificazione Ex del gruppo completo.

### Linee guida per la prevenzione delle esplosioni

#### Pulizia

- Verificare che il prodotto sia mantenuto privo di polvere e sporizia per prevenire aumenti delle temperature superficiali e dei cuscinetti.
- Se si utilizza un silenziatore: Verificare che sia installato un silenziatore ad azione filtrante sull'uscita dell'aria, per evitare che particelle riscaldate dall'attrito entrino in contatto con l'atmosfera circostante.

#### Utilizzo

- Verificare che il prodotto sia collegato a terra al sistema di collegamento equipotenziale dell'officina, per esempio attraverso accessori quali tubi flessibili e collegamenti alla pressione dell'aria.
- È responsabilità dell'utente accertare che il prodotto e tutti i possibili accessori, quali le chiavi e i collegamenti dell'aria, siano conformi alle norme di sicurezza nazionali per le apparecchiature utilizzate in zone potenzialmente esplosive.

### Definizione di codice ATEX

Il codice ATEX è:



Ex II 2 G Ex h IIC T6 Gb  
 Ex II 2 D Ex h IIIC T85°C Db  
 $^{\circ}\text{C} \leq T_a \leq 40^{\circ}\text{C}$

Descrizione	Valore	Definizione
Gruppo di apparecchiature	<b>II</b>	Settore del trattamento superfici
Categoria delle apparecchiature	<b>2</b>	Livello di protezione alto
<b>Gruppo II</b>		<ul style="list-style-type: none"> <li>• zona 1 (gas)</li> <li>• zona 2 (gas)</li> <li>• zona 21 (polvere)</li> <li>• zona 22 (polvere)</li> </ul>
Atmosfera	<b>G</b>	Atmosfera contenente gas, vapori o aerosol
	<b>D</b>	Atmosfera contenente polvere
Progettazione di sicurezza	<b>h</b>	Prodotto meccanico

Descrizione	Valore	Definizione
Gruppo di gas	<b>IIC</b>	Idrogeno/acetilene
	<b>IIB</b>	Etilene
Gruppo per la polvere	<b>IIIC</b>	Polvere del combustibile superficiale
Temperatura superficiale max. in atmosfera <b>gassosa</b>		<b>T1</b> = 450°C
		<b>T2</b> = 300°C
		<b>T3</b> = 200°C
		<b>T4</b> = 135°C
		<b>T5</b> = 100°C
		<b>T6</b> = 85°C
Temperatura superficiale max. in atmosfera <b>polverosa</b>		Temperature esemplificative:
		T85°C
		T110°C
		T120°C
		T125°C
	T240°C	
Limitazione speciale, ad esempio intervallo di temperatura ambiente.	<b>X</b>	

### Informazioni utili

#### Sito web

Accedere alla pagina Atlas Copco: [www.atlascopco.com](http://www.atlascopco.com).

Il nostro sito web offre informazioni sui prodotti, gli accessori, le parti di ricambio e le pubblicazioni.

#### Paese di origine

Fare riferimento alle informazioni sull'etichetta del prodotto.

#### Garanzia

- La garanzia del prodotto scade 12 mesi dal primo utilizzo del prodotto o al più tardi 13 mesi dalla consegna.
- La garanzia non copre la normale usura dei componenti.
  - Per normale usura si intende una condizione che richiede la sostituzione di un pezzo o altra regolazione/riparazione durante la normale manutenzione dell'utensile in un dato periodo (espresso in durata, ore di funzionamento o altro).
- La garanzia del prodotto si basa su utilizzo, manutenzione e riparazione corretti dello strumento e dei suoi componenti.
- Sono esclusi dalla garanzia eventuali danni ai componenti verificatisi a seguito di manutenzione inadeguata o effettuata con pezzi non di Atlas Copco o dei Partner addetti alla manutenzione certificati durante il periodo di garanzia.

- Per evitare danni o la distruzione dei componenti dello strumento, ripararlo secondo il programma di manutenzione consigliato e attenersi alle istruzioni corrette.
- Le riparazioni in garanzia possono essere eseguite esclusivamente in officine Atlas Copco o da Partner addetti alla manutenzione certificati.

Atlas Copco mette a disposizione i contratti ToolCover per estensioni di garanzia e manutenzioni preventive. Per ulteriori informazioni, contattare il proprio rappresentante di manutenzione locale.

Per motori elettrici:

- La garanzia è valida solo se il motore elettrico non è stato aperto.

## ServAid

ServAid è un portale che contiene informazioni tecniche per tutti i prodotti hardware e software, come ad esempio:

- Informazioni sulla regolamentazione e sulla sicurezza
- Dati tecnici
- Istruzioni di installazione, funzionamento e assistenza
- Elenchi delle parti di ricambio
- Accessori

ServAid viene continuamente aggiornato ed è disponibile all'indirizzo: <https://servaid.atlascopco.com>

Per ulteriori informazioni, contattare il rappresentante Atlas Copco di zona.

## Schede informative in materia di sicurezza MSDS/SDS

Le schede informative in materia di sicurezza descrivono i prodotti chimici commercializzati da Atlas Copco.

Per ulteriori informazioni, consultare il sito web: [www.atlascopco.com/sds](http://www.atlascopco.com/sds)

## Technische gegevens

### Technische gegevens

Bestelnr.	8411033965
Model	LZB34-RL-AR005-11
Luchtverbruik op stationaire snelheid	l/s
Luchtverbruik op stationaire snelheid	cfm
Luchtverbruik bij maximale output	7.9 l/s
Luchtverbruik bij maximale output	16.8 cfm
Remkoppel	Nm
Remkoppel	ft lb
Ingebouwde rem	No
Materiaal externe onderdelen	Stainless steel
Stationaire snelheid	450 r/min
Max. output	0.25 kW

Max. output	0.34 pk
Min. startkoppel	12.6 Nm
Min. startkoppel	9.3 ft lb
Verhouding	
Draairichting	Reversible
Asbelastingcode	c
Astype	Keyed
Snelheid bij max. output	240 r/min
Minimumkoppel	19.6 Nm
Minimumkoppel	14.5 ft lb
Koppel bij max. output	9.8 Nm
Koppel bij max. output	7.2 ft lb
Schoeptype	Lubrication free
Gewicht	1.2 kg
Gewicht	2.65 lb
Inlaatslang	10 mm
Inlaatslang	0.4 in
IP-beschermingsgraad	IP66/IP68/IP69
Uitlaatslang	10 mm
Uitlaatslang	0.4 in
IP-beschermingsgraad	IP66/IP68/IP69

## IP-beschermingsgraad

De IP-beschermingsgraad van de luchtmotoren heeft betrekking op de mechanische behuizing volgens de IEC 60529-norm. De IP-beschermingsgraad heeft geen betrekking op corrosiebestendigheid of andere vloeistoffen dan schoon zoetwater.

## Verklaringen

### EU-INBOUWVERKLARING

Wij, **Atlas Copco Industrial Technique AB**, SE-105 23 STOCKHOLM SWEDEN, verklaren onder onze eigen verantwoordelijkheid dat dit product (met naam, type en serienummer zoals vermeld op de voorpagina) voldoet aan de volgende essentiële vereisten van Machinerichtlijn 2006/42/EG:

2006/42/EC (Annex I, clauses 1.1, 1.2 (excluding 1.2.4.3), 1.3, 1.4, 1.5, 1.6, 1.7)

En dat deze deels voltooide machine voldoet aan de bepalingen van de volgende andere EU-richtlijn(en): 2014/34/EU (ATEX)

Deze deels voltooide machine mag pas in gebruik worden genomen nadat er voor de machine, waartoe het product bestemd is te worden ingebouwd of samengebouwd, waar van toepassing, een verklaring van overeenstemming met de bepalingen van de Machinerichtlijn 2006/42/EG is afgegeven.

De volgende (delen/clausules van) Europese geharmoniseerde normen zijn toegepast:

EN 1127-1:2019, EN ISO 12100:2010, EN ISO 80079-36:2016, EN ISO 80079-37:2016

De relevante technische documentatie is opgesteld en gecommuniceerd in overeenstemming met Machinerichtlijn 2006/42/EU, deel B van Annex VII en ATEX-richtlijn 2014/34/EU Artikel 13 (1) b) ii aan de aangemelde instantie ExVeritas ApS (EU-identificatienummer 2804) in Denemarken. Autoriteiten kunnen het technische bestand voor ATEX-richtlijn 2014/34/EU op papier opvragen bij: <https://www.exveritas.com/2022/02/02/what-you-need-for-atex-and-ukca-explosive-atmosphere-certification-for-the-uk-and-eu-markets/>

Stockholm, 1 September 2023

**Håkan Andersson, Managing Director**

Handtekening van de opsteller



## Regionale vereisten

### ⚠ WAARSCHUWING

Dit product kan u blootstellen aan chemicaliën, waaronder lood. Dit is een stof waarvan de Californische overheid weet dat deze kanker, aangeboren afwijkingen en vruchtbaarheidsproblemen veroorzaakt. Ga voor meer informatie naar [www.P65Warnings.ca.gov](http://www.P65Warnings.ca.gov)

## Informatie betreffende artikel 33 van REACH

De Europese Verordening (EU) nr. 1907/2006 inzake de registratie en beoordeling van en de autorisatie en beperkingen ten aanzien van chemische stoffen (REACH) stelt onder andere eisen met betrekking tot de communicatie in de toeleveringsketen. De informatievereiste geldt ook voor producten die zogenaamde zeer risicovolle stoffen bevatten (de 'kandidaat-slijst'). Op 27 juni 2018 werd loodmetaal (CAS-nr. 7439-92-1) toegevoegd aan de kandidaatslijst.

In overeenstemming met het bovenstaande, is deze mededeling bedoeld om u te informeren dat bepaalde mechanische componenten in het product loodmetaal kunnen bevatten. Dit is in overeenstemming met de huidige wetgeving inzake de beperking van stoffen en gebaseerd op rechtmatige uitzonderingen in de RoHS-Richtlijn (2011/65/EU). Loodmetaal lekt niet uit het product en muteert niet bij normaal gebruik en de concentratie van loodmetaal in het volledige product is ver onder de geldende drempel. Volg de lokale voorschriften bij het verwijderen van lood aan het einde van de levensduur van het product.

## Veiligheid

### ⚠ WAARSCHUWING Risico op materiële schade of ernstig lichamelijk letsel

Zorg ervoor dat u alle instructies leest, begrijpt en opvolgt alvorens u het gereedschap gebruikt. Indien u de instructies niet opvolgt, kan dit leiden tot een elektrische schok, brand, materiële schade en/of ernstig lichamelijk letsel.

- ▶ Lees alle veiligheidsinformatie die samen met de verschillende delen van het systeem wordt geleverd.
- ▶ Lees alle productinstructies voor installatie, gebruik en onderhoud van verschillende delen van het systeem.
- ▶ Lees alle wettelijk vastgestelde veiligheidsregels met betrekking tot dit systeem en delen ervan.
- ▶ Bewaar alle veiligheidsinformatie en instructies, zodat u deze op een later tijdstip kunt raadplegen.

## Gebruiksverklaring

Deze motor is ontwikkeld om te worden ingebouwd in een vaste of verplaatsbare machine. De machine is uitsluitend voor draaien naar rechts, uitsluitend voor draaien naar links of heeft een omkeerbare draairichting en kan uitsluitend gemonteerd worden aan de flens of aan de neus met schroefdraad. Gebruik van een andere aard is verboden. Uitsluitend voor professioneel gebruik.

De kans dat de motor brand veroorzaakt in een potentieel explosieve atmosfeer is uiterst gering. De gebruiker is verantwoordelijk voor het beoordelen van de risico's die horen bij de machine waarin de motor moet worden ingebouwd.

## Productspecifieke instructies

### Waarschuwing

#### ⚠ WAARSCHUWING Polymerengevaar

De schoepen in dit product bevatten PTFE (een synthetisch fluoropolymeer). Als gevolg van slijtage kunnen er PTFE-deeltjes in het product aanwezig zijn. Als PTFE warm wordt, kunnen er dampen vrijkomen die polymeerdampkoorts en verschijnselen die op griep lijken veroorzaken, met name wanneer vervuilde tabak wordt gerookt.

Bij het werken met schoepen en andere onderdelen moeten de aanbevelingen op het gebied van gezondheid en veiligheid met betrekking tot PTFE worden opgevolgd:

- ▶ Tijdens het uitvoeren van onderhoud aan dit product is roken verboden.
- ▶ PTFE-deeltjes mogen niet in contact komen met vuur, gloeiende deeltjes of warmte
- ▶ Motoronderdelen moeten met een reinigingsmiddel worden gereinigd en niet met een luchtleiding worden doorgespoten.
- ▶ Was uw handen voordat u doorgaat met andere activiteiten

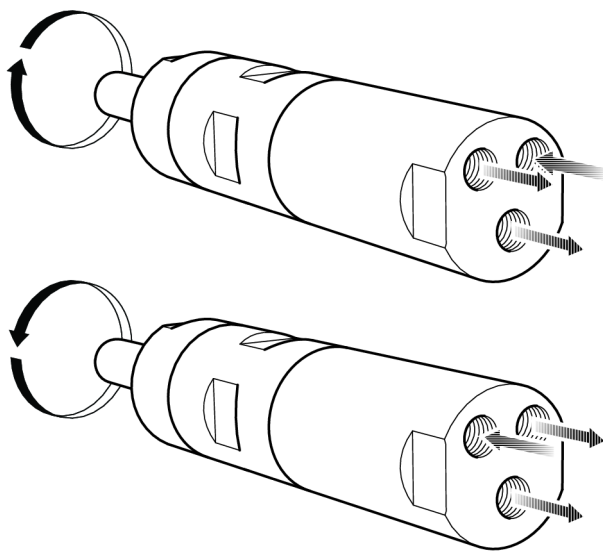
## IP-beschermingsgraad

De IP-beschermingsgraad van de luchtmotoren wordt ingesteld onder druk en omvat niet de uitlaat of aangesloten geluiddemper. Als de motor wordt gebruikt terwijl deze ondergedompeld is of met zware waterstralen, wordt het aanbevolen om de uitlaat met een slang van het water weg te leiden. Bij onderdompeling moet de motor altijd met een hogere druk dan de corresponderende diepte onder druk worden gehouden.

## Luchttoevoer aansluiten

Als de persluchttoevoer is aangesloten op de inlaat, is de draairichting zoals aangegeven in de afbeelding hieronder. Sluit een slang aan op de uitlaat als de uitlaatlucht via een leiding moet worden afgevoerd.

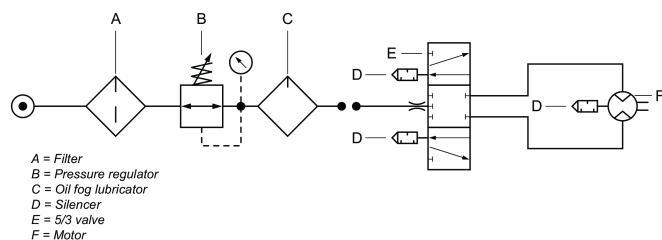
De toevoerleiding voor perslucht moet worden aangesloten op de inlaat die de gewenste draairichting oplevert, zie de afbeelding hieronder. De ongebruikte inlaat werkt als een extra uitlaat en mag niet afgesloten worden.



s015473

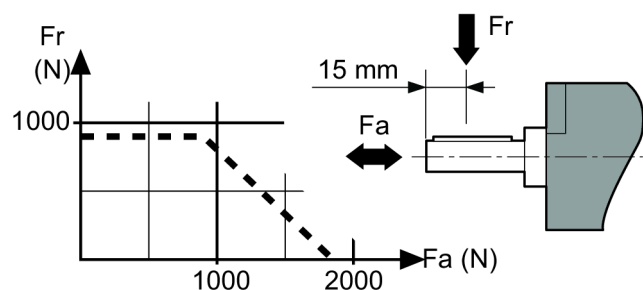
## Installatiediagram

Omkeerbare motor



e015475

## Diagram asbelasting

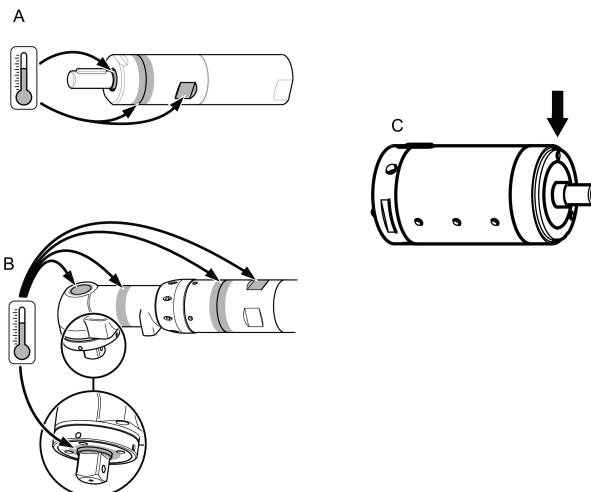


8000345

## Hotspots

De volgende hotspots op de motor kunnen tijdens het gebruik zeer heet worden: De afbeelding toont hotspots voor specifieke modellen:

- Afdichtring op de uitgaande as (A, B, C)
- Verbinding tussen voorstuk en starterkrans (A, B)
- Knopgreep (A, B)



1002028631

De hoogste temperatuur wordt bereikt wanneer de motor onbelast aan volle druk draait. Met toenemende koppel zal de luchtmotor de rotatiesnelheid en temperatuur verminderen.

## Waarschuwing

Zorg ervoor dat u vertrouwd bent met bedieningsinstructies alvorens deze motor te gebruiken.

Deze motor, zijn toebehoren en accessoires mogen enkel gebruikt worden voor het doel waarvoor ze werden ontworpen.

Voor productbetrouwbaarheid en veiligheidsredenen dienen modificaties aan de motor of zijn accessoires, die de productbetrouwbaarheid kunnen beïnvloeden, door de technische deskundige van de fabrikant te worden goedgekeurd.

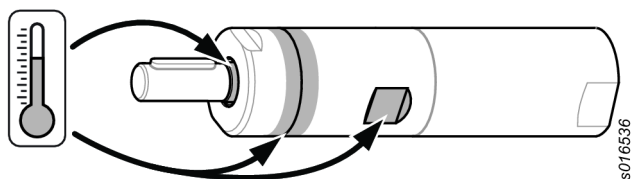
## Lichamelijke letsels en risico's op lange termijn vermijden:

- Indien de motor ATEX gecertificeerd is, dient er een filter/geluiddemper op de uitlaatpoorten van de motor te worden gemonteerd.
- Deze geluiddempers worden ook voor andere toepassingen aanbevolen, om de lawaaibelasting te verlagen.
- Alvorens u aanpassingen uitvoert, ontkoppel de motor van de luchtlijn.
- **Zorg ervoor dat uw handen, haar en kleding uit de buurt blijft van roterende onderdelen.**

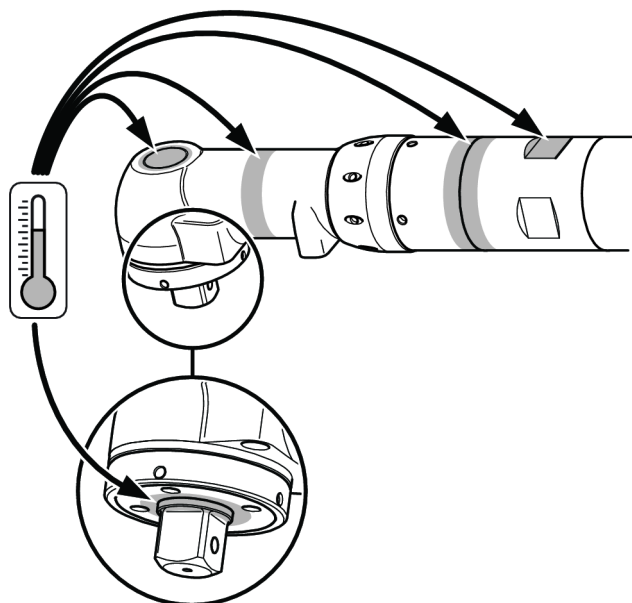
## Onderhoud

- Onderhoud en reparaties van het ATEX-product dienen uitsluitend door bevoegd personeel te worden uitgevoerd, waarna een test zonder last moet worden uitgevoerd. Daarna dient u temperatuurmetingen uit te voeren. Deze dienen in een rapport te worden geregistreerd.

Na een test zonder belasting van 5 minuten, mag de oppervlaktetemperatuur niet hoger zijn dan de som van 45°C + omgevingstemperatuur, waarbij de omgevingstemperatuur tussen 0 – 40°C moet zijn.



s016536



s016534

### Algemene veiligheidsinstructies

Om de kans op lichamelijk letsel te vermijden, moet iedereen die accessoires op dit gereedschap gebruikt, installeert, repareert, onderhoudt of vervangt, of in de buurt van dit gereedschap werkt deze instructies zorgvuldig lezen en goed begrijpen alvorens voornoemde taken uit te voeren.

Wij zetten ons in voor het produceren van gereedschappen waarmee u veilig en efficiënt kunt werken. Voor elk gereedschap geldt dat U de belangrijkste veiligheidsfactor bent. Uw zorgvuldigheid en beoordelingsvermogen bieden de beste bescherming tegen lichamelijk letsel. Wij kunnen in dit document niet alle gevaren behandelen, maar brengen een aantal belangrijke gevaren onder uw aandacht.

- De installatie, het afstellen en het gebruik van dit elektrische gereedschap is uitsluitend voorbehouden aan hiertoe bevoegd en opgeleid personeel.
- Dit gereedschap en de daarbij behorende accessoires mogen niet gewijzigd worden.
- Gebruik dit gereedschap niet indien het beschadigd is.
- Indien de aanduidingen van de nominale snelheid, de operationele druk of de gevaaraanduidingen op het gereedschap onleesbaar zijn of los raken, vervang ze onmiddellijk.

### i Raadpleeg voor nadere veiligheidsinformatie:

- Overige met dit gereedschap meegeleverde documenten en informatie.
- Uw werkgever, brancheorganisatie en/of vakbond.
- Nadere informatie over welzijn en veiligheid op de werkvloer vindt u op de volgende websites:
  - <http://www.osha.gov> (VS)
  - <https://osha.europa.eu/> (Europa)

### Gevaar m.b.t. luchttoevoer en luchtleidingen

- Perslucht kan ernstig letsel veroorzaken.
- Schakel de luchttoevoer uit, verwijder lucht uit de leidingen en koppel het gereedschap, wanneer u het niet gebruikt, af van de luchttoevoer alvorens accessoires te verwisselen of reparaties uit te voeren.
- Richt de luchtleiding nooit op uzelf of op een ander.
- Wegschietende slangen kunnen ernstig letsel veroorzaken. Controleer altijd of slangen en hulpstukken onbeschadigd zijn en goed vastzitten.
- Overschrijd de maximale luchtdruk van 6,3 bar / 90 psi, of de waarde op de naamplaat van het gereedschap niet.

### Verstrikkingsgevaar

- Blijf uit de buurt van het draaiende aandrijvingsmechanisme. Als u loszittende kleding, handschoenen, sieraden, sjaals en haar niet uit de buurt van het gereedschap en accessoires houdt, kan dit leiden tot verstikking, beschadiging van haar en hoofdhuid en/of verwondingen.

### Gevaren in verband met wegschietende delen

- Draag altijd slagvaste oog- en gezichtsbescherming wanneer u betrokken bent bij gebruik, reparatie of onderhoud van het gereedschap of bij het vervangen van accessoires op het gereedschap.
- Alle andere personen in de buurt moeten ook schokbestendige oog- en gezichtsbescherming dragen. Zelfs kleine wegschietende deeltjes kunnen ogen beschadigen en blindheid veroorzaken.
- Zorg ervoor dat elk project waaraan u werkt goed is bevestigd.

### Operationele risico's

- Bevestig het gereedschap stevig in de klem.
- Laat het gereedschap volledig stoppen alvorens het project waaraan u werkt te verwijderen.
- Monteer altijd start-, stop- en noodstopbedieningselementen op de machine waarin u de motor/koppelmotor wilt inbouwen.

### Geluidsgevaar

- Harde geluiden kunnen leiden tot permanente gehoorschade en andere problemen, zoals tinnitus. Gebruik oorbeschermers die worden aangeraden door uw werkgever of in de reglementen voor welzijn en veiligheid op de werkvloer.
- Voorkom een onnodige toename van het geluid door het gereedschap te gebruiken en onderhouden, en accessoires en verbruiksartikelen te selecteren en onderhouden en vervangen in overeenstemming met de instructies in deze handleiding;

## Werkplaatsgevaaren

- Uitglijden, struikelen en vallen zijn belangrijke oorzaken van ernstig lichamelijk letsel of de dood. Let goed op buizen die op het loop- of werkoppervlak liggen.
- Voorkom het inademen van stof of dampen of het hanteren van vuil afkomstig van het werkproces, die schadelijk zijn voor de gezondheid (denk hierbij aan kanker, aangeboren afwijkingen, astma en/of dermatitis). Zuig stof af en draag een stofmasker wanneer u werkt met materialen die deeltjes afgeven aan de lucht.
- Elektrisch schuren, zagen, slijpen, boren en andere bouwactiviteiten creëren stof die chemicaliën bevat die bij de staat Californië bekend staan als elementen die kankerverwekkend zijn, aangeboren afwijkingen veroorzaken of een nadelige invloed op de voortplanting hebben. Voorbeelden van dit soort chemicaliën zijn:
  - Lood uit verf op loodbasis
  - Silicakristallen, cement en andere metselproducten
  - Arsenicum en chroom in rubber dat met chemicaliën is behandeld

In hoeverre u risico loopt, is afhankelijk van de frequentie waarmee u dit soort werkzaamheden uitvoert. Beperk blootstelling aan dit soort chemicaliën als volgt: werk in een goed geventileerde ruimte, werk met goedgekeurde veiligheidsuitrusting, zoals stofmaskers die speciaal ontwikkeld zijn voor het filteren van microscopisch kleine deeltjes.

- Ga in een onbekende omgeving voorzichtig te werk. Let op mogelijke gevaren die door uw werkzaamheden kunnen optreden. Dit gereedschap is niet elektrisch geïsoleerd tegen contact met elektrische vermogensbronnen.

## NIET WEGGOOIEN - AAN DE GEBRUIKER OVERHANDIGEN

## Plaatjes en stickers

Het product is voorzien van aanduidingen en stickers waarop u belangrijke informatie vindt over persoonlijke veiligheid en productonderhoud. De aanduidingen en stickers zijn altijd goed leesbaar. Nieuwe aanduidingen en stickers kunnen via de lijst met reserveonderdelen worden besteld.



s011050

## Informatie ATEX certificering

### Temperaturen

- De maximale, geldige omgevingstemperatuur voor dit certificaat is, is 40 °C.
- 40 °C is ook de maximaal aanvaardbare temperatuur van perslucht die het product ingaat.
- Als het product in apparatuur is gemonteerd, moet de apparatuur als geheel voldoen aan Richtlijn 2014/34/EU.
- Zorg dat de perslucht voldoet aan onze kwaliteitseisen (kwaliteitsklasse 2.4.3. en 3.4.4 respectief 3.5.4 conform ISO/DIS 8573-1:2010).

- Overschrijd de maximale luchtdruk van 6,3 bar of de waarde op de naamplaat van het product niet. Indien de operationele druk wordt overschreden, stijgt de temperatuur van het oppervlak als gevolg van de hogere rotatiesnelheid. Het product kan hierdoor brand veroorzaken.

## Ex-classificatie

Indien het product onderdeel is van een montage die onderdelen bevat met verschillende Ex-classificaties, is het onderdeel met het laagste veiligheidsniveau bepalend voor de Ex-classificatie voor de gehele montage.

## Richtlijnen ter voorkoming van explosies

### Reinheid

- Zorg dat het product vrij van vuil en stof is om een hoge lager- en oppervlaktemperatuur te voorkomen.
- Indien een geluiddemper wordt gebruikt: Gebruik een demper met een filterend effect bij de luchtuitlaat om te voorkomen dat door frictie verwarmde deeltjes in de lucht terecht komen.

### Gebruik

- Controleer of het product aarding heeft met het equipotentiaal verbindingssysteem van de werkplaats, bijvoorbeeld via geschikte accessoires zoals slangen en luchtdrukaansluitingen.
- Het is de verantwoordelijkheid van de gebruiker om te controleren of alle mogelijke accessoires voor het product, zoals sleutels en luchtaansluitingen, voldoen aan de landelijke veiligheidsrichtlijnen voor uitrusting die wordt gebruikt in ruimtes met explosiegevaar.

## Definitie ATEX-code

De ATEX-code is:



Ex II 2 G Ex h IIC T6 Gb

Ex II 2 D Ex h IIIC T85°C Db

°C ≤ Ta ≤ 40 °C

Beschrijving	Waarde	Definitie
Apparatuurgroep	<b>II</b>	Oppervlaktebewerking
Apparatuurcategorie	<b>2</b>	Hoog beschermingsniveau
<b>Groep II</b>		<ul style="list-style-type: none"> <li>• zone 1 (gas)</li> <li>• zone 2 (gas)</li> <li>• zone 21 (stof)</li> <li>• zone 22 (stof)</li> </ul>
Atmosfeer	<b>G</b>	Atmosfeer met gas, dampen of nevel
	<b>D</b>	Atmosfeer met stof
Veiligheid	<b>H</b>	Mechanischproduct

Beschrijving	Waarde	Definitie
Gasgroep	IIC	Waterstof/ Acetyleen
	IIB	Ethyleen
Stofgroep	IIIC	Ontvlambare op- pervlaktestof
Max. oppervlak- tetemperatuur in at- mosfeer met <b>Gas</b>		T1 = 450 °C T2 = 300 °C T3 = 200 °C T4 = 135 °C T5 = 100 °C T6 = 85 °C
Max. oppervlak- tetemperatuur in at- mosfeer met <b>Stof</b>		Voorbeeldtempera- turen: T 85 °C T 110 °C T 120 °C T 125 °C T240°C
Bijzondere beperk- ing, bijvoorbeeld omgevingstemper- atuurbereik.	X	

## Nuttige informatie

### Website

Inloggen op Atlas Copco: [www.atlascopco.com](http://www.atlascopco.com).

Informatie over onze producten, accessoires, reserveonderdelen en publicaties vindt u op onze website.

### Land van oorsprong

Raadpleeg de informatie op het productlabel.

### Garantie

- De productgarantie vervalt 12 maanden nadat het product voor het eerst in gebruik wordt genomen, maar zal in ieder geval uiterlijk 13 maanden na levering vervallen.
- Normale slijtage van onderdelen valt niet onder de garantie.
  - Onder normale slijtage wordt verstaan de voor deze gebruiksperiode gebruikelijke slijtage waardoor een onderdeel moet worden vervangen, afgesteld of gereviseerd gedurende standaardonderhoud van het gereedschap (uitgedrukt in de hiervoor geldende tijdsduur, het aantal bedrijfsuren of andere geldende norm).
- De productgarantie is gebaseerd op het juiste gebruik en onderhoud en de juiste reparatie van het gereedschap en de bijbehorende onderdelen.

- Schade aan onderdelen die optreedt als gevolg van onvoldoende onderhoud of onderhoud dat gedurende de garantieperiode niet is uitgevoerd door Atlas Copco of diens erkende onderhoudspartners valt niet onder de garantie.
- Om beschadiging of vernieling van gereedschapsonderdelen te voorkomen, het gereedschap volgens de aanbevolen onderhoudsschema's en de juiste instructies onderhouden.
- Reparaties onder garantie worden alleen uitgevoerd in werkplaatsen van Atlas Copco of door erkende onderhoudspartners.

Atlas Copco biedt een uitgebreide garantie en uitmuntend preventief onderhoud via ToolCover-contracten. Neem voor meer informatie contact op met uw lokale onderhoudsvertegenwoordiger.

Voor elektromotoren:

- De garantie geldt uitsluitend wanneer de elektromotor niet is geopend.

### ServAid

ServAid is een portaal met technische informatie over alle hard- en softwareproducten, zoals:

- Reglementaire en veiligheidsinformatie
- Technische gegevens
- Installatie, gebruik en onderhoud
- Lijsten met reserveonderdelen
- Accessoires

ServAid wordt voortdurend bijgewerkt en is beschikbaar op: <https://servaid.atlascopco.com>

Neem voor meer informatie contact op met uw lokale Atlas Copco-vertegenwoordiger.

### Veiligheidsgegevensbladen MSDS/SDS

In de veiligheidsgegevensbladen vindt u een beschrijving van de chemische producten die door AtlasCopco worden verkocht.

Ga voor meer informatie naar de website:

[www.atlascopco.com/sds](http://www.atlascopco.com/sds)

## Teknische data

### Teknische data

Bestillingsnr.	8411033965
Model	LZB34-RL-AR005-11
Luftforbrug ved fri hastighed	l/s
Luftforbrug ved fri hastighed	cfm
Luftforbrug ved maks. kapacitet	7.9 l/s
Luftforbrug ved maks. kapacitet	16.8 cfm
Bremsemoment	Nm
Bremsemoment	ft lb

Indbygget bremse	No
Eksterne dele, materiale	Stainless steel
Fri hastighed	450 o./min.
Maks. kapacitet	0.25 kW
Maks. kapacitet	0.34 hk
Min. startmoment	12.6 Nm
Min. startmoment	9.3 ft lb
Forhold	
Rotationsretning	Reversible
Akselbelastningskode	c
Akseltype	Keyed
Hastighed ved maks. kapacitet	240 o./min.
Stallingsmoment	19.6 Nm
Stallingsmoment	14.5 ft lb
Moment ved maks. kapacitet	9.8 Nm
Moment ved maks. kapacitet	7.2 ft lb
Vingetype	Lubrication free
Vægt	1.2 kg
Vægt	2.65 lb
Indsugningslange	10 mm
Indsugningslange	0.4 in
Kapslingsgrad	IP66/IP68/IP69
Udløbsslange	10 mm
Udløbsslange	0.4 in
IP-klasse	IP66/IP68/IP69

### IP-klasse

Luftmotorernes IP-klassificering henviser til det mekaniske hus ifølge IEC 60529-standarden. IP-klassificeringen dækker ikke korrosionsbestandighed eller andre væsker end rent ferskvand.

## Erklæringer

### EU-INKORPORERINGSERKLÆRING

Vi, **Atlas Copco Industrial Technique AB**, SE-105 23 STOCKHOLM SWEDEN, erklærer, under eneansvar, at dette produkt (med navn, type og serienummer, se forsiden) lever op til følgende væsentlige krav i Maskindirektivet 2006/42/EF:

2006/42/EC (Annex I, clauses 1.1, 1.2 (excluding 1.2.4.3), 1.3, 1.4, 1.5, 1.6, 1.7)

Og at denne delvist færdige maskine opfylder bestemmelserne i følgende andet/andre EU-direktiv(er):  
2014/34/EU (ATEX)

Denne delvist færdige maskine må ikke sættes i drift, før den endelige maskine, som den skal inkorporeres i, er blevet erklæret i overensstemmelse med bestemmelserne i Maskindirektivet 2006/42/EU, hvor dette er relevant.

De følgende (dele af de/klausuler i de) harmoniserede europæiske standarder er blevet anvendt:

EN 1127-1:2019, EN ISO 12100:2010, EN ISO 80079-36:2016, EN ISO 80079-37:2016

Al relevant teknisk dokumentation er udarbejdet og blev meddelt iht. Maskindirektivet 2006/42/EF, Tillæg VII, afsnit B og ATEX Direktivet 2014/34/EU Paragraf 13 (1) b) ii i det bemyndigede organ ExVeritas ApS (EU Identifikationsnr. 2804) i Danmark. Myndigheder kan rekvirere den tekniske rapport til ATEX direktiv 2014/34/EU fra:

<https://www.exveritas.com/2022/02/02/what-you-need-for-atex-and-ukca-explosive-atmosphere-certification-for-the-uk-and-eu-markets/>

Stockholm, 1 September 2023

**Håkan Andersson, Managing Director**

Udgiverens underskrift



### Regionale krav

#### ⚠ ADVARSEL

Dette produkt kan udsætte dig for kemikalier og bly, som af staten Californien regnes for at være kræftfremkaldende og kan føre til fosterskader og andre reproduktionsskader. For yderligere oplysninger, gå til [www.P65Warnings.ca.gov](http://www.P65Warnings.ca.gov)

### Oplysninger om artikel 33 i REACH

Den europæiske forordning (EU) nr. 1907/2006 om registrering, vurdering og godkendelse af samt begrænsninger for kemikalier (REACH) definerer blandt andet krav til kommunikation i forsyningskæden. Oplysningskravet gælder også for produkter, der indeholder såkaldte særligt problematiske stoffer ("kandidatlisten"). Den 27. juni 2018 blev blymetal (CAS nr. 7439-92-1) føjet til kandidatlisten.

I overensstemmelse med ovenstående skal vi meddele dig, at visse mekaniske komponenter i produktet kan indeholde blymetal. Dette er i overensstemmelse med gældende lovgivning om stofbegrænsning og baseret på legitime undtagelser i RoHS-direktivet (2011/65/EU). Blymetal lækker og muterer ikke fra produktet ved normal brug, og koncentrationen af blymetal i det komplette produkt ligger langt under den gældende grænseværdi. Tag hensyn til lokale krav vedrørende bortskaffelse af bly ved slutningen af produktets levetid.

## Sikkerhed

### ⚠ ADVARSEL Risiko for ejendomsskade eller svær tilskadekomst

Sørg for at læse, forstå og følge alle instruktionerne, bør du betjener værktøjet. Hvis man ikke følger en eller flere af instruktionerne, kan det føre til elektrisk stød, brand og/eller alvorlig legemsbeskadigelse.

- ▶ Læs al sikkerhedsinformation, der leveres sammen med systemets forskellige dele.
- ▶ Læs alle produktanvisninger til installation, betjening og vedligeholdelse af systemets forskellige dele.
- ▶ Læs alle lokale, lovbefalede sikkerhedsbestemmelser med hensyn til systemet og dele deraf.
- ▶ Gem al sikkerhedsinformation samt instruktioner til fremtidig brug.

## Anvendelseserklæring

Denne motor er konstrueret til at blive inkorporeret i en fastmonteret eller bevægelig maskine. Den er beregnet alene til højrotation, alene til venstrerotation eller reversibel rotation, og bør kun monteres ved flangen eller den gevindskårne spids som relevant. Den må ikke bruges til andet. Kun til professionel brug.

Risikoen for, at motorer udgør tændingskilden i en potentielt eksplosiv atmosfære, er særdeles lille. Brugeren er ansvarlig for vurdering af risikoen i forbindelse med hele maskinen, som motoren skal inkorporeres i.

## Produktspecifikke instrukser

### Advarsel

#### ⚠ ADVARSEL Polymerfare

Lamellerne i dette produkt indeholder PTFE (et syntetisk fluoropolymer). På grund af slid kan der være PTFE-partikler inden i produktet. Opvarmet PTFE kan det danne dampe, som kan give polymerrøgsfeber med influenza-lignende symptomer, især ved rygning af kontamineret tobak.

Helbreds- og sikkerhedsanbefalingerne for PTFE skal følges ved håndtering af lamellerne og andre komponenter:

- ▶ Rygning er forbudt under arbejde med dette produkt
- ▶ PTFE-partiklerne må ikke komme i kontakt med åben ild, gnister eller varme
- ▶ Motorkomponenterne skal vaskes med rene væsker og må ikke blæses rene med luftslange
- ▶ Vask hænderne, før du påbegynder andre aktiviteter

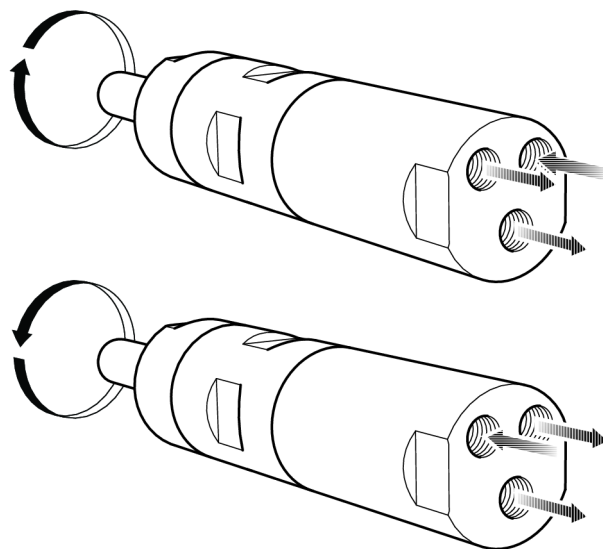
### IP-klasse

Luftmotorernes IP-klasse hører under trykforhold og omfatter ikke stikkontakten eller den medfølgende lyddæmper. Hvis motoren bruges nedsænket i væske eller under kraftige vandstråler, anbefales det at føre stikkontakten væk fra vandet med en slange. Når motoren er nedsænket, skal den altid holdes under et højere tryk end den tilsvarende dybde.

## Tilslutning af lufttilførslen

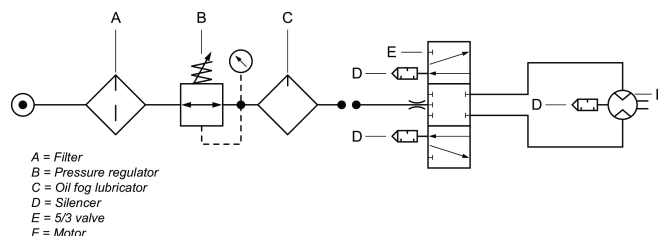
Når tryklufttilførslen er forbundet til indtaget, vil rotationsretningen være som vist på figuren herunder. Hvis udblæsningsluften skal ledes væk, skal der tilsluttes en slange til udblæsningsudtaget.

Tryklufttilførslen skal tilsluttes det tilsvarende indtag til den ønskede rotationsretning, se figuren herunder. Det indtag, der ikke er i brug, fungerer som et ekstra udtag og må ikke tilstoppes.

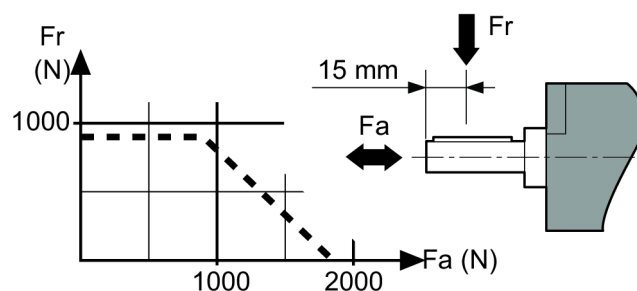


## Installationsskema

Reverserbar motor



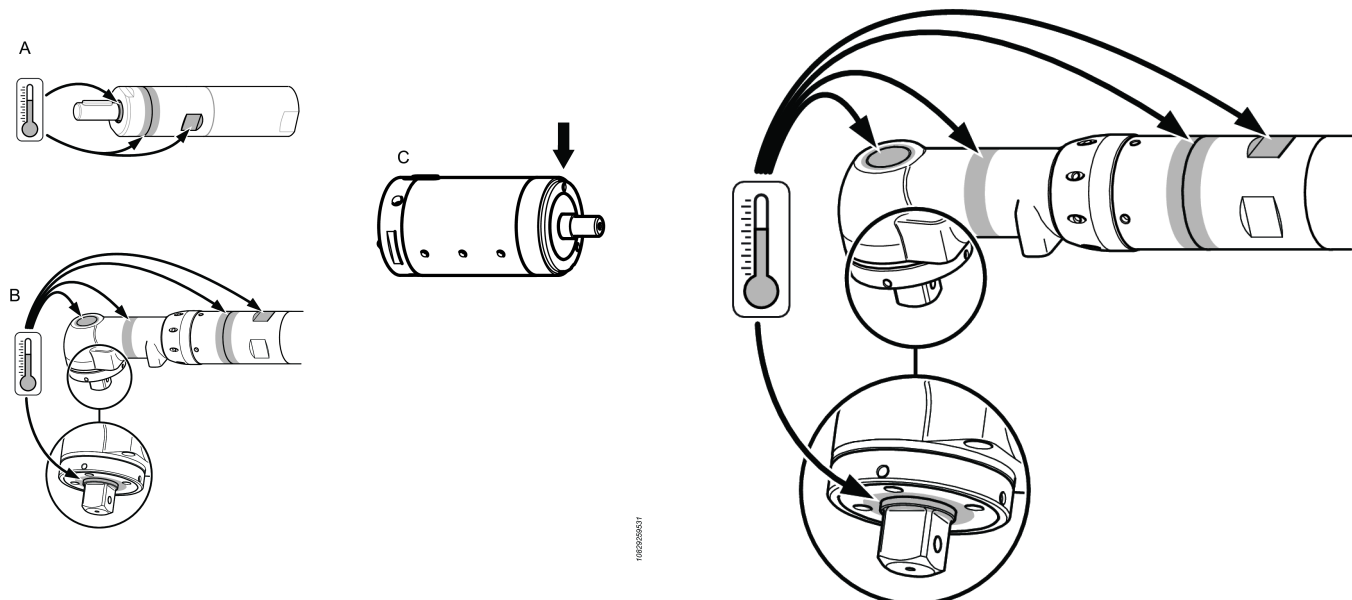
## Akselbelastningsdiagram



## Varmepunkter

Følgende hotspots på motoren kan nå høje temperaturer under drift. Billedet viser hotspots for specifikke modeller:

- Pakring på udgangsakslen (A, B, C)
- Led mellem forreste del og gearing (A, B)
- Nøglegreb (A, B)



De højeste temperaturer opnås, når motoren kører ved fuldt tryk uden belastning. Ved stigende moment reducerer luftmotoren rotationshastigheden og temperaturen.

### Advarsel

Sæt dig ind i driftsinstruktionerne, før du bruger denne motor.

Motoren samt dens tilbehør og ekstraudstyr må kun bruges til det tiltænkte formål.

Af hensyn til produktansvar og sikkerhed skal alle ændringer af motoren eller dens tilbehør, som måtte påvirke produktansvaret, godkendes af producentens tekniske afdeling.

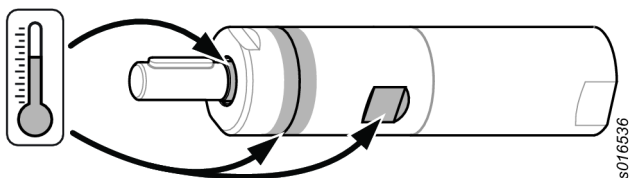
### Forebyggelse af personskade og risici over lang tid:

- Hvis motoren er ATEX-certificeret, skal der monteres filter/lyddæmpere på motorens udgangsporte.  
Dæmpere anbefales også til andre anvendelsesområder for at reducere støjbelastning.
- Før der foretages nogen form for justering, skal motorens kobles fra luftforsyningen.
- **Hold altid hænder, hår og tøj væk fra roterende dele.**

### Vedligeholdelse

- Vedligeholdelse og reparation af dette ATEX-produkt skal alene udføres af autoriseret personale, hvorefter en tomgangsprøvning samt temperaturmålinger på hotspots (som vist på figuren) skal gennemføres og anføres i en rapport.

Efter en 5 min. test uden belastning, må overfladetemperaturen ikke overskride summen af 45°C + omgivende temperatur, hvor den omgivende temperatur kan variere mellem 0 – 40°C.



### Generelle sikkerhedsanvisninger

For at reducere risikoen for personskade skal enhver, der bruger, installerer, reparerer, vedligeholder, skifter tilbehør på eller arbejder nær dette værktøj, læse disse instrukser grundigt, før sådant arbejde udføres.

Vores mål er at producere værktøj, der gør arbejdet sikkert og effektivt for dig. Den vigtigste sikkerhedsforanstaltning for dette og alt andet værktøj er DIG. Din omhu og sunde fornuft er den bedste beskyttelse mod personskade. Alle mulige faremomenter kan ikke dækkes her, men vi har forsøgt at fremhæve nogle af de vigtigste.

- Kun kvalificerede og oplærte brugere må installere, justere eller benytte dette maskinværktøj.
- Dette værktøj og dets tilbehør, må ikke modificeres.
- Dette værktøj må ikke bruges, hvis det er beskadiget.
- Hvis tilladte hastigheds-, driftstryks- eller advarselsmærkater på værktøjet ikke længere kan læses eller falder af, skal der straks sættes nye på.

### ⓘ Få yderligere sikkerhedsoplysninger her:

- Øvrige dokumenter og anvisninger, der følger med dette værktøj.
- Din arbejdsgiver, fagforening og/eller handelsforening.
- Få yderligere oplysninger om arbejdsmiljøet på følgende websites:
  - <http://www.osha.gov> (USA)
  - <https://osha.europa.eu/> (Europa)

### Faremoment: Trykluft og tilslutning

- Luft under tryk kan forårsage alvorlig tilskadekomst.
- Sluk altid for lufttilførslen, tag trykket af slangen, og kobl værktøjet fra, når det ikke benyttes, og der skiftes tilbehør eller foretages reparation.
- Vend aldrig luft mod dig selv eller andre.
- Piskende slanger kan forårsage alvorlig personskade. Se altid efter beskadigede og løse slanger og fittings.

- Luftrykket må aldrig overstige 6,3 bar/90 psig, eller som angivet på værktøjets fabriksskilt.

#### Indviklingsfare

- Kom ikke for nær på drivspindelen. Man kan blive kvalt, skalperet og/eller sønderrevet, hvis løstsiddende tøj, handsker, smykker, halsklude og hår ikke holdes væk fra værktøj og tilbehør.

#### Fare for udslyngede genstande

- Brug altid slagfast øsen- og ansigtsværn under eller nær arbejdet, reparation eller vedligeholdelse af værktøj eller udskiftning af tilbehør på værktøjet.
- Sørg for, at alle andre i området anvender slagfast beskyttelse af øjne og ansigt. Selv små udslyngede genstande kan beskadige øjnene og forårsage blindhed.
- Se efter, om arbejdssemnet sidder sikkert fast.

#### Driftsfarer

- Sæt værktøjet sikkert i tvinge.
- Sørg for, at værktøjet er helt standset, før du fjerner emnet.
- Montér altid start-, stop- og nødstopknapper på maskinen, som motoren/momentmotoren inkorporeres i.

#### Faremoment: Støj

- Høje lydniveauer kan give permanent høretab og andre problemer som f.eks. tinnitus. Der skal altid bruges hørevern, som anbefalet af din arbejdsgiver eller i gældende bestemmelser for arbejdsmiljøet.
- Du kan forebygge stigninger i støjniveauerne ved at betjene og vedligeholde værktøjet, vælge, vedligeholde og udskifte tilbehør og forbrugsvarer som beskrevet i denne instruktionsbog.

#### Farer på arbejdspladsen

- En af de hyppigste årsager til alvorlig og livsfarlig personskade er, at man glider, snubler eller flader. Vær opmærksom på slanger, der er efterladt på gulvet.
- Undgå indånding af støv eller håndtering af affald fra de arbejdsprocesser, som kan være skadelige for dit helbred (f.eks. cancer, fostermisdannelser, astma og/eller dermatitis). Brug et udsugningsanlæg og brug beskyttende respirationsudstyr, når du arbejder med materialer, der frembringer luftbårne partikler.
- En del støv, som frembringes ved pudsning, savning, slibning, boring og andre byggeaktiviteter indeholder kemikalier, hvorom delstaten Californien ved, at de forårsager cancer, fostermisdannelser og anden reproduktiv skade. Nogle eksempler på sådanne kemikalier er:
  - Bly fra blyholdig maling
  - Silikatkrystalholdige mursten, cement og andre murværksprodukter
  - Arsenik og krom fra kemisk behandlet gummi

Risikoen ved udsættelse for disse stoffer varierer, afhængigt af hvor ofte du udfører denne slags arbejde. Du kan mindske udsættelse for disse kemikalier ved at gøre følgende: Udfør arbejdet i et område med god ventilation og brug godkendt sikkerhedsudstyr såsom støvmasker, der er specielt godkendt til at bortfiltrere mikroskopiske partikler.

- Brug værktøjet med forsigtighed i ukendte omgivelser. Vær opmærksom på potentielle farer, der opstår på grund af din arbejdsaktivitet. Dette værktøj er ikke isoleret mod at komme i kontakt med elektriske strømkilder.

#### KASSÉR IKKE DETTE - GIV DET TIL BRUGEREN

#### Skilte og mærkater

Produktet er monteret med skilte og mærkater med vigtig information om din personlige sikkerhed og vedligeholdelse af produktet. Skiltene og mærkaterne skal altid være nemme at læse. Nye skilte og mærkater kan bestilles på reservedelslisten.



s011050

#### Oplysninger om ATEX certificering

##### Temperaturer

- Maks. omgivende temperatur, som certifikatet gælder for er 40° C.
- 40° C er ligeledes kompressorluftens maksimalt tilladte temperatur, når den kommer ind i produktet.
- Hvis produktet monteres i udstyr, skal alt udstyret overholde retningslinjerne i 2014/34/EF.
- Sørg for, at trykluftten opfylder vores kvalitetskrav (henholdsvis kvalitetsklasse 2.4.3. og 3.4.4 og 3.5.4 iht. ISO/DIS 8573-1:2010).
- Luftrykket må aldrig overstige 6,3 bar, eller som angivet på værktøjets fabriksskilt. Hvis driftstrykket overskrides, kan det øge overfladetemperaturen som resultat af højere rotationshastighed, og produktet kan så udgøre en tændingskilde.

##### Ex-klassificering

Hvis produktet udgør en del af en enhed, hvor komponenterne har forskellig Ex-klassificering, definerer komponenten med det laveste sikkerhedsniveau Ex-klassificeringen for hele enheden.

##### Eksplodingsforebyggende retningslinjer

##### Renlighed

- Sørg for, at produktet holdes rent for støv og snavs for at forebygge øget leje- og overfladetemperatur.
- Hvis der anvendes lyddæmper: Sørg for, at der monteres en lyddæmper med en filtreringseffekt på luftudtaget for at forhindre friktionsopvarmede partikler i at komme ind i den omgivende atmosfære.

##### Anvendelse

- Sørg for, at produktet jordforbindes til værkstedets ækvipotentiale bindesystem f.eks. gennem egnet tilbehør som f.eks. slanger og trykluftforbindelser.

- Det er brugerens ansvar at sikre, at produktet samt alt muligt tilbehør til værktøjet som f.eks. nøgler og luftforbindelser, opfylder de nationale sikkerhedsregler for udstyr, der anvendes på eksplosionsfarlige steder.

## ATEX-kodedefinition

ATEX-koden er:



Ex II 2 G Ex h IIC T6 Gb

Ex II 2 D Ex h IIIC T85°C Db

$^{\circ}\text{C} \leq \text{Ta} \leq 40^{\circ}\text{C}$

Beskrivelse	Værdi	Definition
Udstyrsgruppe	<b>II</b>	Overfladebranchen
Udstyrskategori	<b>2</b>	Højt beskyttelsesniveau
<b>Gruppe II</b>		<ul style="list-style-type: none"> <li>• zone 1 (gas)</li> <li>• zone 2 (gas)</li> <li>• zone 21 (støv)</li> <li>• zone 22 (støv)</li> </ul>
Atmosfære	<b>G</b>	Atmosfære der indeholder gas, dampe eller tåge
	<b>D</b>	Atmosfære der indeholder støv
Sikkerhedsdesign	<b>t</b>	Mekanisk produkt
Gasgruppe	<b>IIC</b>	Hydrogen/ Acetylen
	<b>IIB</b>	Ætylen
Støvgruppe	<b>IIIC</b>	Brandfarligt støv
Maks. overfladetemperatur i <b>Gas</b> atmosfære		<b>T1</b> = 450 °C <b>T2</b> = 300 °C <b>T3</b> = 200°C <b>T4</b> = 135 °C <b>T5</b> = 100°C <b>T6</b> = 85°C
Maks. overfladetemperatur i <b>Støv</b> atmosfære		Eksempeltemperaturer: T85 °C T110 °C T120 °C T125 °C T240 °C
Særlige restriktioner, såsom omgivende temperatur-område.	<b>X</b>	

## Nyttig information

### Website

Log ind på Atlas Copco: [www.atlascopco.com](http://www.atlascopco.com).

Du kan finde information om vores produkter, tilbehør, reservedele og publikationer på vores websted.

### Oprindelsesland

Se informationen på produktetiketten.

### Garanti

- Produktgarantien vil udløbe 12 måneder efter, at produktet tages i brug første gang, men vil under alle omstændigheder udløbe senest 13 måneder efter levering.
- Normalt slid på dele er ikke omfattet af garantien.
  - Normalt slid defineres som det, der kræver udskiftning af en del eller anden justering/reparation i løbet af standardvedligeholdelse af værktøjer i den periode (udtrykt i tid, driftstimer eller på anden måde).
- Produktgarantien forudsætter korrekt brug, vedligeholdelse og reparation af værktøjet og dets komponentdele.
- Beskadigelse af dele som følge af utilstrækkelig vedligeholdelse eller udført af andre personer end Atlas Copco eller deres certificerede servicepartnere i garantiperioden dækkes ikke af garantien.
- For at undgå beskadigelse eller destruktion af værktøjsdele, skal værktøjet serviceres i henhold til de anbefalede vedligeholdelsesplaner, og de rette instrukser følges.
- Garantireparationer udføres kun på Atlas Copco værksteder eller af certificerede servicepartnere.

Atlas Copco tilbyder forlænget garanti samt teknisk avanceret forebyggende vedligeholdelse i deres ToolCover kontrakter. Kontakt den lokale servicerepræsentant for yderligere information.

Til elektriske motorer:

- Garantien gælder kun, hvis den elektriske motor ikke er blevet åbnet.

### ServAid

ServAid er en portal, som indeholder teknisk information for alle hardware- og softwareprodukter, som f.eks.:

- Oplysninger om lovgivning og sikkerhed
- Tekniske data
- Installations-, betjenings- og servicevejledninger
- Reservedelslister
- Tilbehør

ServAid opdateres kontinuerligt og kan fås på: <https://servaid.atlascopco.com>

Kontakt den lokale Atlas Copco-repræsentant for yderligere information.

## Sikkerhetsdatablade MSDS/SDS

Sikkerhetsdatabladene beskriver kemiske produkter, der sælges af Atlas Copco.

Find mere information på websiden:

[www.atlascopco.com/sds](http://www.atlascopco.com/sds)

## Teknisk informasjon

### Teknisk informasjon

Bestillingsnr.	8411033965
Modell	LZB34-RL-AR005-11
Luftforbruk ved fri hastighet	l/s
Luftforbruk ved fri hastighet	cfm
Luftforbruk ved maks effekt	7.9 l/s
Luftforbruk ved maks effekt	16.8 cfm
Bremsemoment	Nm
Bremsemoment	ft lb
Innebygget bremse	No
Eksterne delemateriale	Stainless steel
Tomgang	450 o/min
Maks effekt	0.25 kW
Maks effekt	0.34 hk
Min startmoment	12.6 Nm
Min startmoment	9.3 ft lb
Forhold	
Rotasjonretning	Reversible
Akselbelastningskode	c
Akseltype	Keyed
Hastighet ved maks effekt	240 o/min
Stansmoment	19.6 Nm
Stansmoment	14.5 ft lb
Moment ved maks effekt	9.8 Nm
Moment ved maks effekt	7.2 ft lb
Ventiltype	Lubrication free
Vekt	1.2 kg
Vekt	2.65 lb
Inntaksslange	10 mm
Inntaksslange	0.4 in
IP-grad	IP66/IP68/IP69
Utslippsslange	10 mm
Utslippsslange	0.4 in
IP-grad	IP66/IP68/IP69

### IP-gradering

IP-graderingen av luftmotorene henviser til de mekaniske innfatningene i henhold til IEC 60529 standarden. IP-graderingen dekker ikke korrosjonsmotstand eller andre væsker enn rent ferskvann.

## Erklæringer

### EU-SAMSVARERKLÆRING

Vi **Atlas Copco Industrial Technique AB**, SE-105 23 STOCKHOLM SWEDEN, erklærer under vårt eneste ansvar at utformingen av produktene (med navn, type og serienummer, se forsiden) oppfyller følgende viktige krav i Maskindirektivet 2006/42/EF:

2006/42/EC (Annex I, clauses 1.1, 1.2 (excluding 1.2.4.3), 1.3, 1.4, 1.5, 1.6, 1.7)

Og at denne delvis fullførte maskinen er i samsvar med bestemmelsene i følgende andre Eu-direktiv(er): 2014/34/EU (ATEX)

Det ovenfornevnte delvis fullførte maskineriet må ikke tas i drift inntil det endelige maskineriet som det skal bygges inn i har blitt erklært å være i samsvar med kravene i Maskindirektivet 2006/42/EF, der det er aktuelt.

De følgende (deler/klausuler i) europeiske harmoniserte standarder gjelder:

EN 1127-1:2019, EN ISO 12100:2010, EN ISO 80079-36:2016, EN ISO 80079-37:2016

Den aktuelle tekniske dokumentasjonen ble sammenstilt og ble kommunisert i henhold til maskindirektiv 2006/42/EC del B i vedlegg VII og ATEX-direktiv 2014/34/EU artikkel 13 (1) b) ii i varslet organ ExVeritas ApS (EU-identifikasjonsnummer 04 2804) i Danmark. Myndigheter kan be om den tekniske filen for ATEX-direktivet 2014/34/EU i papirutgave fra:

<https://www.exveritas.com/2022/02/02/what-you-need-for-atex-and-ukca-explosive-atmosphere-certification-for-the-uk-and-eu-markets/>

Stockholm, 1 September 2023

**Håkan Andersson, Managing Director**

Utstederens signatur



### Regionale krav

#### ⚠ ADVARSEL

Dette produktet kan utsette deg for kjemikalier inkludert bly, noe den amerikanske staten California regner som kreftfremkallende, som årsak til fosterskader og på andre måter som skadelig for forplantningsprosessen. For mer informasjon besøkes [www.P65Warnings.ca.gov](http://www.P65Warnings.ca.gov)

### Informasjon angående artikkel 33 i REACH

Den Europeiske reguleringen (EU) Nr. 1907/2006 som gjelder registrering, evaluering, autorisasjon og restriksjon av kjemikalier (REACH) definerer, blant annet, krav relatert til kommunikasjon i leveransekjeden. Informasjonskravet

gjelder også produkter som inneholder såkalte stoffer av meget høy bekymring ("Kandidatlisten"). Den 27.juni, 2018 ble blymetall (CAS nr 7439-92-1) lagt til kandidatlisten.

I henhold med det ovenstående er dette for å informere deg om at visse mekaniske komponenter i produktet kan inneholde blymetall. Dette er i samsvar med den gjeldende lovgivningen som gjelder restriksjoner av stoffer og basert på legitime unntak i RoHS direktivet (2011/65/EU). Blymetall vil ikke lekke eller muteres fra produktet under vanlig bruk og konsentrasjonen av blymetall i det komplette produktet er godt under den gjeldende terskelgrensen. Se over lokale krav angående avhending av bly når produktets brukstid er utløpt.

## Sikkerhet

### **⚠ ADVARSEL Risiko for skade på eiendom eller alvorlig personskade**

Sørg for at du har lest, forstått og fulgt alle instruksjonene før du bruker verktøyet. Om du ikke følger instruksjonene, kan det føre til elektrisk støt, brann, eiendomsskade og/eller alvorlige personskader.

- ▶ Les all sikkerhetsinformasjon levert sammen med de ulike delene av systemet.
- ▶ Les alle produktinstruksjoner for installasjon, drift og vedlikehold av de ulike systemdelene.
- ▶ Les alle lokale, lovbestemte sikkerhetsregler med hensyn til systemet og delene i dette.
- ▶ Ta vare på all sikkerhetsinformasjon og alle anvisninger for fremtidig bruk.

## Brukserklæring

Denne motoren er konstruert til å bygges inn i en fast eller bevegelig maskin. Den er enten kun til høyrotasjon, venstrotasjon eller revers rotasjon og skal monteres kun ved flensen eller gjenget nese, avhengig av det som passer. Annen bruk er ikke tillatt. Kun til profesjonell bruk.

Risikoen for at motorer er tenningskilde i en potensielt eksplosiv atmosfære er ekstremt liten. Brukeren er ansvarlig for å vurdere risikoene som er tilknyttet hele maskinen som motoren skal bygges inn i.

## Produktspesifikke instruksjoner

### Advarsel

#### **⚠ ADVARSEL Polymerfare**

Skovlene i dette produktet inneholder PTFE (en syntetisk fluorpolymer) På grunn av slitasje kan det finnes PTFE-partikler inne i produktet. Hvis det blir varmet opp, kan PTFE-damp føre til polymerdampfeber med influensaliknende symptomer, særlig ved røyking av forurenset tobakk.

Helse- og sikkerhetsanbefalingene for PTFE må følges når du håndterer skovler og andre komponenter:

- ▶ Ikke røyk når du foretar service på dette produktet
- ▶ PTFE-partiklene må ikke komme i kontakt med åpen flamme, glør eller varme
- ▶ Motorkomponentene må vaskes med renevæske og ikke blåses ren med trykkluft
- ▶ Vask hendene dine før du begynner med noen annen aktivitet

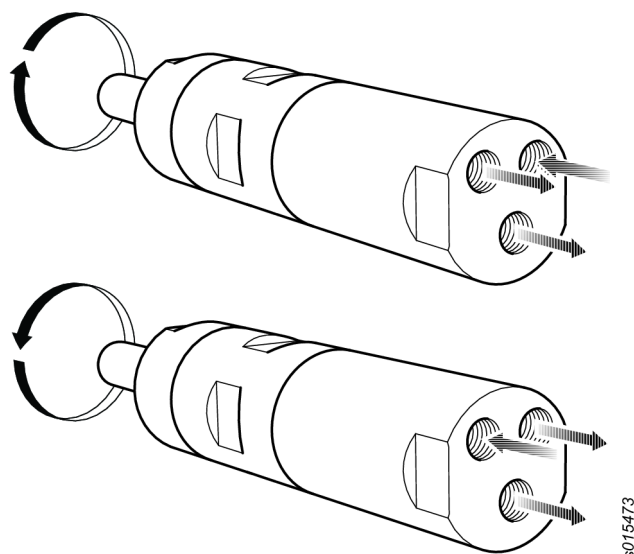
### IP-grad

IP-graden av luftmotorene er innstilt under trykksatte betingelser og ekskluderer avsuget eller den festede lyd demperen. Om motoren vil drives nedsenket i vann eller i kraftige vannstråler, er det anbefalt å lede avsuget bort fra vann med en slange. Når den er nedsenket, hold alltid motoren trykksatt med et høyere trykk enn den tilsvarende dybden.

### Tilkobling av luftforsyningen

Når trykkluftforsyningen er tilkoblet inngangen, vil rotasjonsretningen være slik som vist i figuren nedenfor. Hvis utslippsluften skal føres bort i rør, skal en slange kobles til utslippsutgangen.

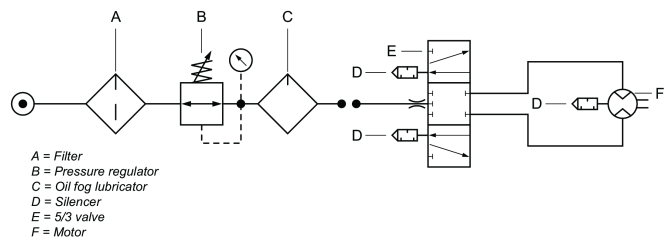
Trykkluftforsyningen skal være tilkoblet den tilhørende inngangen for ønsket rotasjonsretning, se figuren nedenfor. Inngangen som ikke er i bruk, fungerer som en ekstra utgang og må ikke tilstoppes.



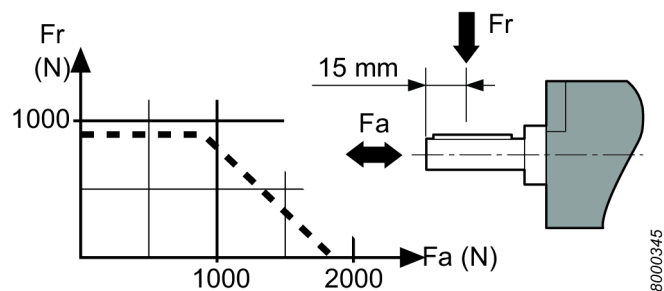
s015473

### Installasjonsdiagram

Reversibel motor



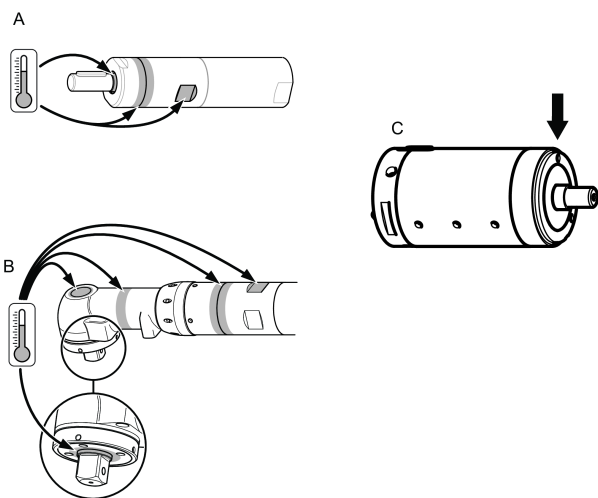
**Aksellastdiagram**



**Varme punkter**

De følgende varmekpunktene på motoren kan nå høye temperaturer i løpet av drift. Bildet viser varmekpunktene for de spesifikke modellene:

- Tetningsring ved utmatingsakselen (A, B, C)
- Ledd mellom fremre del og girring (A, B)
- Nøkkelgrep (A, B)



De høyeste temperaturene oppstår når motoren kjører ved fullt trykk uten belastning. Ved økende moment reduserer luftmotoren rotasjonshastigheten og temperaturen.

**Advarsel**

Sørg for at du gjør deg kjent med driftsanvisningene før du tar i bruk denne motoren.

Denne motoren, vedlegg og tilbehør skal kun brukes til det formålet de er utformet til.

For produktansvar og sikkerhetsmessige årsaker må enhver modifisering på motoren og dets tilbehør, som kan ha innvirkning på produktansvar, være avtalt med teknisk ansvarlig hos produsenten.

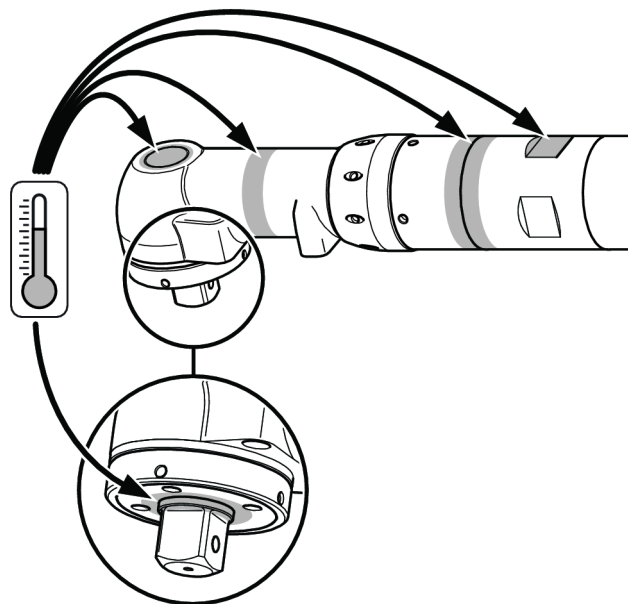
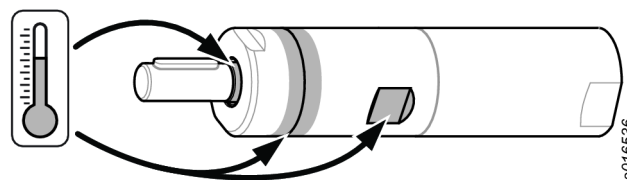
**For å forhindre personlig skade og langsiktige farer:**

- Hvis motoren er ATEX-sertifisert, må filter/lyddempere være installert ved motorutslippsåpningene.  
 Lyddempere anbefales også for andre bruksområder for å redusere støyeksponeringen.
- Koble motoren fra luftlinjen før det foretas noen justeringsoperasjon.
- Vær forsiktig med hender, hår og klær - hold alltid god avstand fra roterende deler.

**Vedlikehold**

- Vedlikehold og reparasjoner av dette ATEX-produktet må utføres utelukkende av autorisert personale, og etter dette må det utføres en test uten belastning, og temperaturmålinger av varmekpunkter (som sett på figuren) må utføres og registreres i en rapport.

Etter en 5 min test uten belastning må overflatetemperaturen ikke overskride summen til 45°C + overflatetemperatur, der den omgivende temperaturen kan variere mellom 0 – 40°C.



**Generelle sikkerhetsinstruksjoner**

For å redusere risiko for skade skal enhver som bruker, installerer, reparerer, utfører vedlikehold eller skifter tilbehør på, eller som arbeider i nærheten av dette verktøyet, lese og forstå disse anvisningene før oppgavene utføres.

Vårt mål er å produsere verktøy som hjelper deg å utføre arbeidet sikkert og effektivt. DU er det viktigste sikkerhetsmomentet ved bruk av dette og alle andre verktøy. Den beste beskyttelsen mot skader er brukerens ettersyn og sunne fornuft. Selv om ikke alle mulige faresituasjoner kan dekkes her, har vi forsøkt å belyse noen av de viktigste.

- Dette mekaniske verktøyet skal kun installeres, justeres eller brukes av kvalifiserte og erfarne operatører.
- Verktøyet og tilbehøret må ikke på noen måte modifiseres.
- Ikke bruk dette verktøyet hvis det har blitt skadet.
- Hvis den nominelle hastigheten, driftstrykket eller farevarselskiltene på verktøyet ikke lenger er leselige eller løsner, må disse skiftes ut umiddelbart.

### **i** For mer sikkerhetsinformasjon, se:

- Andre dokumenter og informasjon som leveres sammen med dette verktøyet.
- Din arbeidsgiver, arbeidsgiverforening og/eller handelsstandforening.
- Ytterligere informasjon om arbeidssikkerhet er å finne på følgende hjemmesider:
  - <http://www.osha.gov> (USA)
  - <https://osha.europa.eu/> (Europa)

### Farer forbundet med trykklftsbeholdere og -koblinger

- Luft under trykk kan forårsake alvorlige helseskader.
- Før du skifter tilbehør eller utfører reparasjoner, eller når trykkluftskilden ikke brukes, skal lufttilførselen alltid stenges av, trykk i slangen skal elimineres og verktøyet skal koples fra lufttilførselen.
- Rett aldri trykkluftstrålen mot deg selv eller andre.
- Slinger som slår tilbake kan forårsake alvorlig skade. Kontroller alltid for skadde eller løse slanger og kopplingsdeler.
- Det maksimale lufttrykket må ikke overstige 6,3 bar/90 psig, eller som angitt på verktøyets typeskilt.

### Farer med sammenfloking

- Hold deg unna drivspindler. Kveling/skalpering og/eller sår kan oppstå hvis løse klær, hansker, smykker, hal-skleder og hår ikke holdes unna verktøy og tilbehør.

### Farer forbundet med prosjektiler

- Bruk alltid slagfast øye- og ansiktsbeskyttelse når du bruker eller er i nærheten av arbeidsområdet, ved reparasjon eller vedlikehold av verktøyet, eller når du skifter tilbehør på verktøyet.
- Sørg for at alle andre innenfor arbeidsområdet bruker slagfast øye- og ansiktsbeskyttelse. Selv små prosjektiler kan skade øynene og forårsake blindhet.
- Se til at arbeidsstykket er godt festet.

### Farer under drift

- Klem verktøyet godt fast.
- Se til at verktøyet har stoppet helt før du fjerner arbeidet.
- Monter alltid start-, stopp- og nødstoppkontroller på maskinen som motoren/momentmotoren skal bygges inn i.

### Støyfarer

- Høye lydnivåer kan forårsake varig hørselstap og andre problemer, slik som tinnitus. Bruk hørselsvern som anbefalt av arbeidsgiver eller helse- og sikkerhetsforskrifter på arbeidsplassen.

- For å forhindre unødvendige økninger av støynivåer sørg for at bruk og vedlikehold av verktøyet, samt utvalg, vedlikehold og utskiftning av tilbehør og forbruksvarer, skjer i henhold til denne bruksanvisningen.

### Farer på arbeidsplassen

- Å skli/snuble/falle er en hyppig årsak til alvorlig skade eller død. Vær oppmerksom på overflødige deler av slangen på bakken der man går eller arbeider.
- Unngå å puste inn støv eller damp og å håndtere helseskadelige avfallsprodukter fra arbeidsprosessen (som kan forårsake for eksempel kreft, fødselsdefekter, astma og/eller dermatitt). Bruk støvavsug og pusteutstyr når du arbeider med materialer som avgir luftbårne partikler.
- Enkelte typer støv som frigjøres ved sandblåsing, saging, sliping, boring og andre byggeaktiviteter inneholder kjemikalier som den amerikanske staten California regner som kreftfremkallende, som årsak til fosterskader og på andre måter skadelig for forplantningsprosessen. Dette er noen eksempler på slike kjemikalier:
  - Bly fra blyholdig maling
  - Blokker av krystallinsilika, sement og andre murprodukter
  - Arsenikk og krom fra kjemikaliebehandlet gummi

Den helsefaren som utgår fra slike produkter varierer, avhengig av hvor ofte du utfører denne type arbeid. For å redusere din eksponering for disse kjemikalierne: Jobb alltid på et godt ventilert område, bruk godkjent sikkerhetsutstyr som f.eks. støvmasker som er spesielt utviklet for å filtrere bort mikroskopiske partikler.

- Gå varsomt frem i uvante omgivelser. Vær oppmerksom på eventuelle farer som skapes av arbeidsaktiviteten. Dette verktøyet er ikke isolert mot å komme i kontakt med elektriske strømkilder.

### MÅ IKKE KASTES – GI TIL BRUKER

### Skilt og klebemerker

Produktet er montert med skilt og klistremerker som inneholder viktig informasjon om personlig sikkerhet og produktvedlikehold. Skilt og klistremerker skal alltid være enkle å lese. Nye skilt og klistremerker kan bestilles ved bruk av reservedelslisten.



s011050

## ATEX sertifiseringsinformasjon

### Temperaturer

- Maksimal omgivelsestemperatur som sertifiseringen er gyldig for er 40 °C.
- 40 °C er også maksimal tillatt temperatur for trykklufften når den kommer inn i produktet.
- Hvis produktet er installert i et utstyr, må hele utstyret samsvare med retningslinjene 2014/34/EU.

- Se til at trykkluften oppfyller våre kvalitetskrav (kvalitetssklasse 2.4.3. og 3.4.4 respektivt 3.5.4 ifølge ISO/DIS 8573-1:2010).
- Det maksimale trykket må ikke overstige 6,3 bar eller det som er angitt på produktets typeskilt. Overskridelse av driftstrykket kan øke overflatetemperaturen på grunn av høyere rotasjonshastighet, og produktet kan bli en tenningskilde.

### Ex-klassifisering

Hvis produktet er en del av en enhet der komponentene har ulik Ex-klassifisering, definerer komponenter med laveste sikkerhetsnivå Ex-klassifiseringen for hele enheten.

### Retningslinjer for eksplosjonsforebyggelse

#### Renslighet

- Se til at produktet holdes rent fra støv og smuss for å forhindre økt lager- og overflatetemperatur.
- Ved bruk av en lydtemper: Se til at det er installert en lydtemper med en filtreringseffekt ved luftuttaket for å forhindre eventuelle friksjonsoppvarmede partikler i å komme inn i den omgivende atmosfæren.

#### Bruk

- Se til at produktet jordes til ekvipotensialkoblingssystemet til verkstedet, for eksempel gjennom tilbehør, slik som slanger og lufttrykkoblinger.
- Det er brukerens ansvar å se til at produktet og alt mulig tilbehør, slik som skiftenøkler og luftkoblinger, oppfyller de nasjonale sikkerhetsforskriftene for utstyr som brukes på potensielt eksplosive områder.

### ATEX kodedefinisjon

ATEX-koden er:



Ex II 2 G Ex h IIC T6 Gb  
 Ex II 2 D Ex h IIIC T85°C Db  
 $^{\circ}\text{C} \leq \text{Ta} \leq 40^{\circ}\text{C}$

Beskrivelse	Verdi	Definisjon
Utstyrgruppe	<b>II</b>	Overflateindustri
Utstyrskategori	<b>2</b>	Høyt beskyttelsesnivå
<b>Gruppe II</b>		<ul style="list-style-type: none"> <li>• sone 1 (gass)</li> <li>• sone 2 (gass)</li> <li>• sone 21 (støv)</li> <li>• sone 22 (støv)</li> </ul>
Atmosfære	<b>G</b>	Atmosfære som inneholder gass, damp eller tåke
	<b>D</b>	Atmosfære som inneholder støv
Sikkerhetsdesign	<b>h</b>	Mekanisk produkt

Beskrivelse	Verdi	Definisjon
Gassgruppe	<b>IIC</b>	Hydrogen/acetylen
	<b>IIB</b>	Etylen
Støvgruppe	<b>IIIC</b>	Overflate brennbart støv
Maks. overflatetemperatur i gassatmosfære		<b>T1</b> = 450 °C <b>T2</b> = 300°C <b>T3</b> = 200°C <b>T4</b> = 135 °C <b>T5</b> = 100°C <b>T6</b> = 85°C
Maks. overflatetemperatur i støv atmosfære		Eksempeltemperaturer: <b>T85°C</b> <b>T110°C</b> <b>T120°C</b> <b>T125°C</b> <b>T240°C</b>
Spesielle restriksjoner, for eksempel omgivelsestemperatur rekkevidde.	<b>X</b>	

### Nyttig informasjon

#### Nettsider

Logg inn på Atlas Copco: [www.atlascopco.com](http://www.atlascopco.com).

Du kan finne informasjon om våre produkter, tilbehør, reservedeler og publiserte materialer på våre nettsider.

#### Opphavsland

Se informasjonen på produktets etikett.

#### Garanti

- Produktgarantien vil utløpe 12 måneder etter at produktet først tas i bruk, men skal i alle fall utløpe senest 13 måneder etter levering.
- Normal slitasje på deler er ikke inkludert i garantien.
  - Normal slitasje er det som krever en deleutskifting eller annen justering/overhaling i løpet av standard verktøyvedlikehold som er typiske for denne perioden (uttrykt i tid, driftstimer og annet).
- Produktgarantien avhenger av riktig bruk, vedlikehold og reparasjon av verktøyet og komponentdelene.
- Skade på deler som oppstår som resultat av utilstrekkelig vedlikehold eller vedlikehold som er utført av andre parter enn Atlas Copco eller dets sertifiserte servicepartnere under garantiperioden, er ikke dekket av garantien.
- For å unngå skade eller destruksjon av verktøydeler, utfør service i henhold til anbefalte vedlikeholdsplaner og følg riktige instruksjoner.

- Garantireparasjoner utføres kun ved Atlas Copco verksteder eller av sertifiserte servicepartnere.

tilbyr utvidet garanti og unikt forebyggende vedlikehold gjennom sine Atlas Copco ToolCover-kontrakter. For mer informasjon kontakt din lokale servicerepresentant.

For elektriske motorer:

- Garantien skal gjelde kun når den elektriske motoren ikke har blitt åpnet.

## ServAid

ServAid er en portal som inneholder teknisk informasjon for alle maskinvare- og programvareprodukter, som:

- Teknisk informasjon
- Installasjon, drift og serviceinstruksjoner
- Lister over reservedeler
- Tilbehør

ServAid blir oppdatert kontinuerlig, og er tilgjengelig på: <https://servaid.atlascopco.com>

For mer informasjon, ta kontakt med din lokale Atlas Copco-representant.

## Sikkerhetsdataark MSDS/SDS

Sikkerhetsdataarkene beskriver kjemiske produkter som selges av Atlas Copco.

For mer informasjon se på nettsidene: [www.atlascopco.com/sds](http://www.atlascopco.com/sds)

## Tekniset tiedot

### Tekniset tiedot

Tilausnro	8411033965
Malli	LZB34-RL-AR005-11
Ilmankulutus kuormittamatomalla nopeudella	l/s
Ilmankulutus kuormittamatomalla nopeudella	- cfm
Ilmankulutus maksimiteholla	7.9 l/s
Ilmankulutus maksimiteholla	-16.8 cfm
Jarrutusmomentti	Nm
Jarrutusmomentti	ft lb
Sisäinen jarru	No
Ulkoisten osien materiaali	Stainless steel
Kuormittamaton nopeus	450 r/min
Maksimiteho	0.25 kW
Maksimiteho	0.34 hv
Pienin käynnistysmomentti	12.6 Nm
Pienin käynnistysmomentti	9.3 ft lb
Suhde	
Pyörimissuunta	Reversible
Akselin kuormituskoodi	c

Akselityyppi	Keyed
Nopeus maksimiteholla	240 r/min
Sammutusmomentti	19.6 Nm
Sammutusmomentti	14.5 ft lb
Vääntö maksimiteholla	9.8 Nm
Vääntö maksimiteholla	7.2 ft lb
Siipityyppi	Lubrication free
Paino	1.2 kg
Paino	2.65 lb
Imuletku	10 mm
Imuletku	0.4 tuumaa
Kotelointiluokka	IP66/IP68/IP69
Poistoletku	10 mm
Poistoletku	0.4 tuumaa
IP-luokitus	IP66/IP68/IP69

## IPIPI-luokitus

Ilmamoottoreiden IP-luokitus viittaa mekaaniseen kotelointiin standardin IEC 60529 mukaisesti. IP-luokitus ei kata korrosionkestävyyttä eikä muita nesteitä kuin puhtaan veden.

## Vakuutukset

### EU-LIITTÄMISVAKUUTUS

Me, Atlas Copco Industrial Technique AB, SE-105 23 STOCKHOLM SWEDEN, vakuutamme yksinomaisella vastuullamme, että tämä tuote (katso nimi, tyyppi ja sarjanumero etusivulta) täyttää seuraavan konedirektiivin 2006/42/EY olennaiset vaatimukset:

2006/42/EC (Annex I, clauses 1.1, 1.2 (excluding 1.2.4.3), 1.3, 1.4, 1.5, 1.6, 1.7)

Ja että tämä osittain loppuun valmistettu laite on seuraavan/seuraavien muun/muiden EU-direktiivin/direktiivien säännösten mukainen: 2014/34/EU (ATEX)

Tätä osittain loppuun valmistettua laitetta ei saa ottaa käyttöön ennen kuin lopullisen laitteiston, johon se liitetään, on ilmoitettu täyttävän konedirektiivin 2006/42/EY vaatimukset vaadittavilta osin.

Seuraavia yhdenmukaistettuja eurooppalaisia standardeja (osia/lausekkeita) on sovellettu:

EN 1127-1:2019, EN ISO 12100:2010, EN ISO 80079-36:2016, EN ISO 80079-37:2016

Asiaankuuluva tekninen dokumentaatio on laadittu ja annettu tiedoksi konedirektiivin 2006/42/EY liitteen VII osan B sekä ATEX-direktiivin 2014/34/EU artiklan 13 (1) b) ii mukaisesti ilmoitetussa laitoksessa ExVeritas ApS (EU:n tunnustenro 2804) Tanskassa. Viranomaiset voivat pyytää ATEX-direktiivin 2014/34/EU mukaisen teknisen tiedoston paperimuodossa kohteesta:

<https://www.exveritas.com/2022/02/02/what-you-need-for-atex-and-ukca-explosive-atmosphere-certification-for-the-uk-and-eu-markets/>

Stockholm, 1 September 2023

**Håkan Andersson, Managing Director**

Ilmoittajan allekirjoitus



## Alueelliset vaatimukset

### ⚠ VAROITUS

Tuote voi altistaa käyttäjän kemikaaleille, kuten lyijylle, jonka Kalifornian osavaltiossa tiedetään aiheuttavan syöpää ja synnynnäisiä epämuodostumia tai muuta lisääntymishaittaa. Katso lisätietoja osoitteesta

[www.P65Warnings.ca.gov](http://www.P65Warnings.ca.gov)

## Tietoa REACH-asetuksen artiklasta 33

Euroopan REACH-asetus (EU) N:o 1907/2006 kemikaalien rekisteröinnistä, arvioinnista, lupamenettelyistä ja rajoituksista määrittelee muun muassa toimitusketjun viestintään liittyviä velvoitteita. Tiedonantovelvoite koskee myös tuotteita, jotka sisältävät niin sanottuja erityistä huolta aiheuttavia aineita (ns. ehdokasluettelon aineita). 27. kesäkuuta 2018 tähän ehdokasluetteloon lisättiin lyijymetalli (CAS-numero 7439-92-1).

Yllä olevaa noudattaen haluamme ilmoittaa, että jotkut mekaaniset komponentit tuotteessa saattavat sisältää lyijymetallia. Tämä on aineiden rajoittamista koskevan lainsäädännön mukaista ja perustuu RoHS-direktiivin (2011/65/EU) poikkeuksiin. Lyijymetalli ei vuoda eikä mutatoitu tuotteesta normaalin käytön aikana, ja lyijymetallipitoisuus valmiissa tuotteessa on huomattavasti alle sovellettavan kynnyksarvon. Ota huomioon paikalliset vaatimukset lyijyn hävittämiselle tuotteen käyttöänsä lopussa.

## Turvallisuus

### ⚠ VAROITUS Omaisuusvahingon tai vakavan tapaturman riski

Varmista, että olet lukenut ja ymmärtänyt kaikki ohjeet ennen työkalun käyttöä ja että noudatat niitä. Ohjeiden noudattamatta jättämisen seurauksena voi olla sähköisku, tulipalo, omaisuusvahinko ja/tai vakava ruumiinvamma.

- ▶ Lue kaikki turvallisuusohjeet, jotka on toimitettu järjestelmän eri osien mukana.
- ▶ Lue kaikki tuoteohjeet järjestelmän eri osien asennusta, käyttöä ja huoltoa varten.
- ▶ Lue kaikki paikalliset lainsäädännön mukaiset turvallisuusohjeet koskien järjestelmää ja siihen sisältyviä osia.
- ▶ Säilytä kaikki turvallisuutta koskevat tiedot ja ohjeet myöhempää käyttöä varten.

## Käyttötiedote

Moottori on suunniteltu yhdistettäväksi kiinteään tai liikkuvaan koneeseen. Moottori on tarkoitettu joko pelkästään oikealle kiertyväksi, vain vasemmalle kiertyväksi tai kumpaankin suuntaan kiertyväksi. Moottori tulee asentaa ainoastaan asennustuen tai kierteitetyn nokkaosan avulla tilanteen mukaan. Muut käyttötavat ovat kiellettyjä. Vain ammattikäyttöön.

Moottorit aiheuttavat syttymisen mahdollisesti räjähdysalttiissa ympäristössä erittäin harvoin. Käyttäjä on vastuussa kokonaisriskien arvioinnista, kun moottori kytketään koneeseen.

## Tuotteen tekniset ohjeet

### Varoitus

#### ⚠ VAROITUS Polymeeriin liittyvä vaara

Tuotteen siivet sisältävät PTFE:tä (synteettistä fluoripolymeeriä). PTFE-hiukkasia saattaa olla kulumisen myötä tuotteen sisällä. Kuumenevat PTFE-tuotteet muodostavat höyryjä, jotka voivat aiheuttaa flunssan kaltaisia oireita olevan polymeerihöyrykuumeen, erityisesti tupakoidessa saastuneita savukkeita.

PTFE:tä koskevia terveys- ja turvallisuussuosituksia tulee noudattaa, kun käsitellään siipipyöriä ja muita komponentteja:

- ▶ Älä tupakoi tämän tuotteen käytön aikana
- ▶ PTFE-osat eivät saa päästä kosketukseen avotulen, hehkuvien tuotteiden tai kuumuuden kanssa
- ▶ Moottorin osia ei saa oestä puhdistusnesteissä ja niitä ei saa puhaltaa puhtaaksi paineilmailla
- ▶ Pese kätesi ennen muiden toimenpiteiden aloittamista.

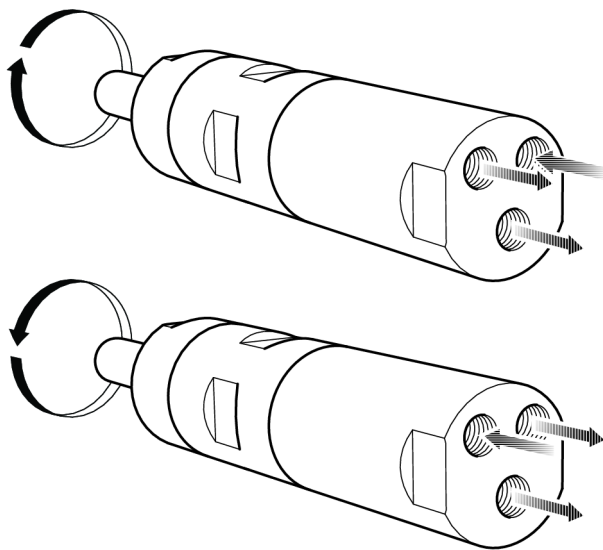
## IP-luokitus

Ilmamootoreiden IP-luokitus on määritetty paineistettuna. Se ei koske ulostuloa eikä liitettyä äänenvaimenninta. Jos moottoria käytetään upotettuna tai raskaissa vedensuihkuttimissa, on suositeltavaa johtaa ulostulo pois vedestä letkulla. Moottorin ollessa upotettuna pidä moottorin paine aina syvyyttä vastaavaa korkeampana.

## Ilmansyötön liittäminen

Kun paineilman syöttö on kytkettynä sisään-tuloon, kiertosuunta on alla olevan kuvan mukainen. Jos poistoilma halutaan ohjata putkea pitkin pois, letku on liitettävä poistoliitäntään.

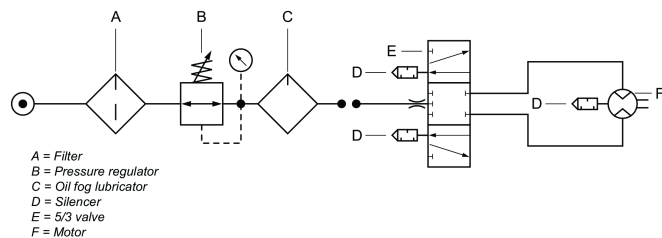
Paineilman syöttö tulee liittää halutun pyörimissuunnan mukaiseen sisään-tuloon, katso alapuolella oleva kuva. Käytöstä poistettu sisään-tulo toimii ylimääräisenä ulostulona, eikä sitä saa tukkia.



s015473

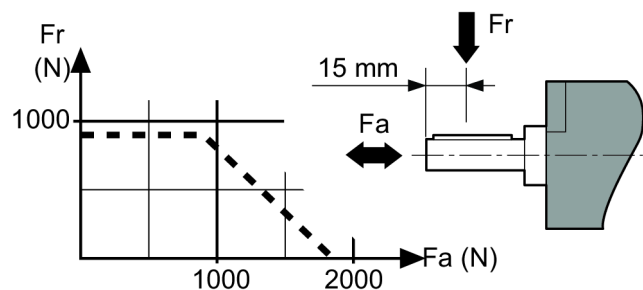
## Asennuskaavio

Kaksisuuntainen moottori



s015475

## Akselikuormituskaavio

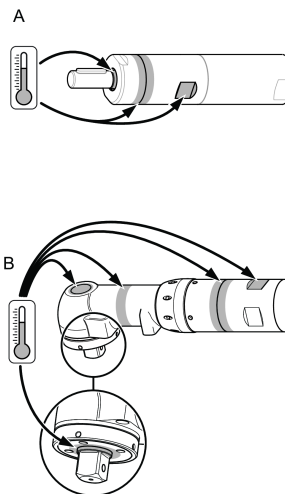


8000345

## Kuumat pisteet

Seuraavat moottorin kuumat pisteet voivat saavuttaa erittäin korkean lämpötilan käytön aikana. Kuvassa näkyvät eri mallien kuumat pisteet:

- Tiivisterengas ulostuloakselissa (A, B, C)
- Etuosan ja hammaskehän välinen liitos (A, B)
- Avainkahva (A, B)



000208601

Korkeimmat lämpötilat syntyvät, kun moottori käy täydellä paineella ilman kuormaa. Lisäämällä vääntöä, rajoittaa ilmamoottori pyörimisnopeutta ja lämpötilaa.

## Varoitus

Varmista, että hallitset käyttöohjeet ennen tämän moottorin käyttämistä.

Tätä moottoria varusteineen ja lisälaitteineen ei saa koskaan käyttää mihinkään muuhun kuin sille suunniteltuun tarkoitukseen.

Jos moottoriin tai sen lisälaitteisiin tehdään muutoksia, mitkä voivat vaikuttaa tuotteen luotettavuuteen, niihin on saatava hyväksyntä valmistajalta.

## Henkilövahinkojen ja pitkäaikaisten vaarojen välttäminen

- Jos moottoria käytetään ATEX-ympäristössä, suodatimet / äänenvaimentimet on asennettava moottorin poistoaukoihin.

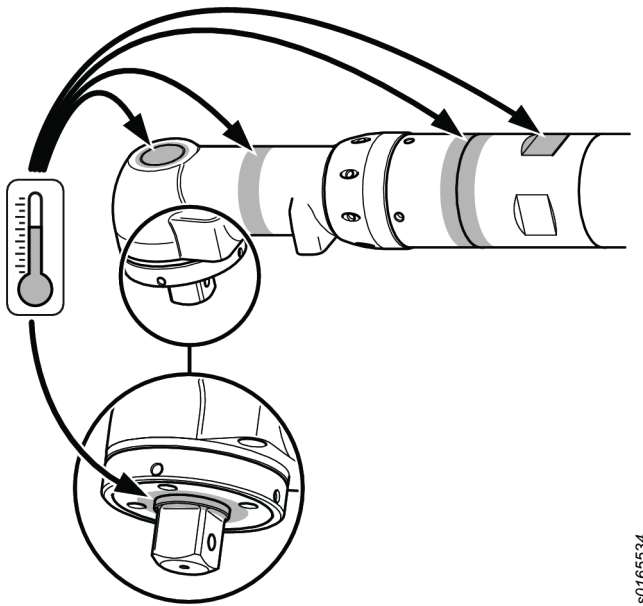
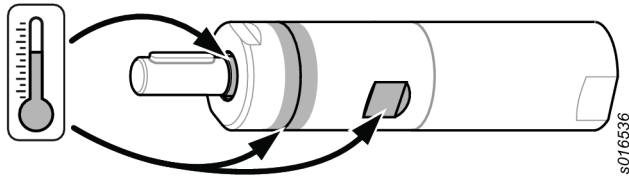
Äänenvaimentimien käyttö on suositeltavaa myös muissa sovelluksissa melun vähentämiseksi.

- Kytke moottori irti paineilmalinjasta ennen minkään säätötoimenpiteisiin aloittamista.
- **Pidä kädet, pitkät hiukset ja vaatteet poissa pyörievien osien läheisyydestä.**

## Huolto

- Tämän ATEX-tuotteen huollon ja korjauksen saa tehdä ainoastaan valtuutettu henkilöstä, jonka jälkeen on suoritettava testi kuormittamattomana ja kuumien kohteiden lämpötilat on mitattavat ja tulokset on merkittävä raporttiin.

5 minuuttia kestävä testin kuormittamattomana jälkeen, pinnan lämpötila ei saa olla yli 45°C + ympäristölämpötilan, jossa ympäristölämpötila voi vaihdella välillä 0 – 40°C.



### **Yleiset turvamääräykset**

Henkilövahinkojen välttämiseksi jokaisen, joka käyttää, asentaa, korjaa tai huoltaa tätä työkalua, vaihtaa siihen osia tai työskentelee sen lähetyvillä, on luettava ja ymmärrettävä nämä ohjeet.

Tavoitteemme on valmistaa työkaluja, jotka auttavat työskentelemään turvallisesti ja tehokkaasti. Tämän ja minkä tahansa muun laitteen tärkein turvallisuustekijä on SEN KÄYTTÄJÄ. Huolellisuutesi ja arviointikykyisi ovat paras suoja loukkaantumisia vastaan. Kaikkia mahdollisia vaaratekijöitä ei voida käsitellä tässä ohjeessa, joten tässä keskitytään niistä tärkeimpiin.

- Vain pätevät, koulutetut käyttäjät saavat asentaa tämän sähkötyökalun tai säätää tai käyttää sitä.
- Tätä työkalua tai sen osia ei saa muuttaa millään tavalla.
- Älä käytä tätä työkalua, jos se on vaurioitunut.
- Jos nimellisoikeuden tai toimintapaineen kyltit tai vaarasta varoittavat kyltit eivät ole enää selvästi luettavissa tai irtoavat, ne on vaihdettava viiveettä.

### **i Turvallisuuden liittyviä lisätietoja on seuraavissa lähteissä:**

- Muut työkalun mukana toimitetut oppaat ja tiedotteet
- Työnantajasi, alan ammattiliitto ja/tai ammattiyhdistys
- Työterveyttä ja -turvallisuutta koskevia lisätietoja on saatavissa seuraavilta verkkosivuilta:
  - <http://www.osha.gov> (Yhdysvallat)
  - <https://osha.europa.eu/> (Eurooppa)

### **Paineilman syöttöön ja liitäntöihin liittyvät vaarat**

- Paineilma voi aiheuttaa vakavia vammoja.

- Katkaise aina ilmansyöttö, poista paine putkistosta ja irrota työkalu ilmansyöttölähteestä, kun sitä ei käytetä, tehtäessä korjaustöitä ja ennen osien vaihtamista.
- Älä koskaan suuntaa paineilmaa itseäsi tai ketään muuta kohti.
- Hallitsemattomasti liikkuvat letkut voivat aiheuttaa vakavia vammoja. Tarkasta aina, että letkut ja liitokset ovat ehjiä ja tiukasti kiinni.
- Ilmanpaine ei saa ylittää 6,3 baaria (90 psig) tai työkalun tyyppikilvessä ilmoitettua painetta.

### **Kiinni takertumisen vaara**

- Pysy loitolla pyörivistä koneenosista. Vaatteiden, käsineiden, korujen, solmion, huivin tai hiusten takertuminen työkaluun tai sen varusteisiin voi johtaa tukehtumiseen, päänahan irtoamiseen ja/tai syviin haavoihin.

### **Sinkoilevien kappaleiden aiheuttama vaara**

- Käytä aina iskunkestäviä suojalaseja ja kasvosuojusta työkalun käyttö-, korjaus- ja huoltoalueella tai niiden läheisyydessä sekä osien vaihdon yhteydessä.
- Varmista, että kaikki muut alueella olijat käyttävät iskunkestävää silmien- ja kasvosuojainta. Pienetkin kappaleet voivat vaurioittaa silmiä ja aiheuttaa sokeutta.
- Varmista, että työstettävä kappale on kiinnitetty kunnolla.

### **Käyttövaarat**

- Kiinnitä työkalu kunnolla.
- Varmista ennen työstettävän kappaleen irrotusta, että työkalu on pysähtynyt kokonaan.
- Asenna käynnistys-, pysäytys- ja hätäpysäytyskytkimet aina koneeseen, johon moottori tai vääntömoottori asennetaan.

### **Meluvaara**

- Kovat äänet voivat aiheuttaa pysyviä kuulovaurioita ja muita ongelmia, kuten tinnitusta. Käytä työnantajan tai työterveys- ja työturvallisuusmääräysten suosittelemia kuulosuojaimia.
- Vältä tarpeetonta melu- ja värinätasojen nousua käyttämällä ja huoltamalla työkalua sekä valitsemalla, huoltamalla ja vaihtamalla varusteet ja kulutusosat tämän käyttöohjeen mukaisesti;

### **Työpaikkaan liittyvät vaarat**

- Liukastuminen, kompastuminen tai kaatuminen voi johtaa vakavaan tapaturmaan tai kuolemaan. Varo lattialla tai työalustalla olevia letkuja.
- Vältä pölyn ja höyryjen hengittämistä ja työskentelyjätteiden käsittelemistä, jotka voivat aiheuttaa terveyshaittoja (esimerkiksi syöpää, vastasyntyneiden epämuodostumia, astmaa ja/tai ihotulehdusta (dermatiittia)). Käytä pölynpoistoa ja hengityssuojainta, kun työstettävistä materiaaleista irtoaa ilmaan hiukkasia.
- Jotkut hionnassa, sahauksessa, rouhinnassa, porauksessa ja muissa rakennustöissä syntyvät pölyt sisältävät kemikaaleja, jotka Kalifornian osavaltion mukaan aiheuttavat syöpää, vastasyntyneiden epämuodostumia ja lisääntymisongelmia. Esimerkkejä tällaisista kemikaaleista:
  - lyijypohjaisista maaleista lähtöisin oleva lyijy

- tiilistä, sementistä ja muista muurausaineista lähtöisin oleva kiteinen piidioksidi
- kemiallisesti käsitellystä kumista lähtöisin oleva arsenikki ja kromi.

Altistumisriski näille kemikaaleille vaihtelee sen mukaan, kuinka usein teet tämänkaltaista työtä. Voit vähentää altistumista näille kemikaaleille seuraavasti: työskentele hyvin tuulettetussa tilassa ja käytä hyväksytyjä suojavälineitä, kuten hengityssuojaimia, jotka suodattavat mikroskooppisen pienet hiukkaset.

- Etene varovasti tuntemattomassa ympäristössä. Tunne työskentelystä mahdollisesti aiheutuvat vaarat. Työkalua ei ole eristetty sähkövirtalähteiltä.

## ÄLÄ HÄVITÄ – ANNA KÄYTTÄJÄLLE

### Kilvet ja tarrat

Tuote on varustettu tärkeitä turvallisuus- ja tuotetietoja koskevilla kilvillä ja tarroilla. Kilpien ja tarrojen on aina oltava luettavissa. Uudet kilvet ja tarrat voidaan tilata varaosaluettelon avulla.



s011050

## ATEX-hyväksynnän tiedot

### Lämpötilat

- Ympäristön enimmäislämpötila, jolle sertifiointi on voimassa, on 40°C.
- 40°C on myös laitteeseen syötettävän paineilman sallittu enimmäislämpötila.
- Jos tuote on asennettu laitteeseen, on koko laitteiston noudatettava direktiivin 2014/34/EY ohjeita.
- Varmista, että paineilma täyttää laatuvaatimuksemme (laatuluokat 2.4.3. ja 3.4.4 sekä 3.5.4 ISO/DIS 8573-1:2010:n mukaan).
- Enimmäispainetta 6,3 baaria tai tuotteen nimilaaatassa ilmoitettua painetta ei saa ylittää. Käyttöpaineen ylittäminen voi kohottaa pintalämpötilaa suuremman pyörimisnopeuden vuoksi ja tuotteesta voi tulla sytytyslähde.

### Esimerkki luokituksesta

Jos tuote kuuluu kokoonpanoon, jossa komponenteilla on erilainen Ex-luokitus, komponentti määrittää alhaisimmalla turvallisuustasolla koko kokoonpanon Ex-luokituksen.

### Räjähdyksenesto-ohjeet

#### Puhtaus

- Varmista, että tuote pidetään puhtaana pölystä ja liasta laakereiden ja pinnan lämpötilan kasvamisen estämiseksi.
- Käytettäessä äänenvaimentajaa: varmista, että ilmanpoiston suodatinominaisuudella oleva äänenvaimennin on asennettu mahdollisten kitkakuumentuneiden hiukkasten pääsyn estämiseksi ympäristöön.

### Käyttö

- Varmista myös, että tuote on maadoitettava korjaamon potentiaalintasausjärjestelmään, esimerkiksi sopivien lisätarvikkeiden kuten letkujen ja ilmanpaineliitäntöjen kautta.
- Käyttäjän vastuulla on varmistaa, että tuotteen kaikki mahdolliset lisätarvikkeet, kuten avaimet ja ilmaliitännät, täyttävät räjähdysvaarallisilla alueilla käytettäviä laitteita koskevat kansalliset turvamääräykset.

### ATEX-koodin määrittäminen

#### ATEX-koodi on:



Ex II 2 G Ex h IIC T6 Gb

Ex II 2 D Ex h IIIC T85°C Db

°C ≤ Ta ≤ 40 °C

Kuvaus	Arvo	Määrittäminen
Laiteryhmä	<b>II</b>	Pintateollisuus
Laiteluokka	<b>2</b>	Korkea suojaustaso
<b>Ryhmä II</b>		<ul style="list-style-type: none"> <li>• alue 1 (kaasu)</li> <li>• alue 2 (kaasu)</li> <li>• alue 21 (pöly)</li> <li>• alue 22 (pöly)</li> </ul>
Ympäristö	<b>G</b>	Ympäristö sisältää kaasua, höyryjä tai sumua
	<b>D</b>	Ympäristö sisältää pölyä
Turvamuotoilu	<b>h</b>	Mekaaninen tuote
Kaasuryhmä	<b>IIC</b>	Vety / asetyleeni
	<b>IIB</b>	Etyleeni
Pölyryhmä	<b>IIIC</b>	Syttyvä pöly
Pintalämpötila enint. Kaasu-ympäristössä		<b>T1</b> = 450°C
		<b>T2</b> = 300°C
		<b>T3</b> = 200°C
		<b>T4</b> = 135°C
		<b>T5</b> = 100°C
		<b>T6</b> = 85°C
Maks. pintalämpötila Pöly-ympäristössä		Esimerkkilämpötilat:
		T85°C
		T110°C
		T120°C
		T125°C
		T240°C
Erityisrajoitus, esimerkiksi ympäröivä lämpötila-alue.	<b>X</b>	

## Hyödyllistä tietoa

### Verkkosivusto

Kirjautu Atlas Copco: [www.atlascopco.com](http://www.atlascopco.com).

Sivustolla on tietoa yrityksemme tuotteista, lisälaitteista, varaosista ja julkaisuista.

### Alkuperäismaa

Katso tiedot tuotetarrassa.

### Takuu

- Tuotetakuu päättyy 12 kuukauden jälkeen tuotteen ensimmäisestä käyttöönottopäivästä, mutta kaikissa tapauksissa takuu päättyy viimeistään 13 kuukautta toimituksen jälkeen.
- Normaalit kulutusosat eivät sisälly takuun piiriin.
  - Normaaliin kulumiseen kuuluu vaadittava osan vaihto tai muu säätö/huolto vakio työkalujen määräaikaishuollon huollon aikana (ilmaistu aikana, käyttötunteina tai muulla tavalla).
- Tuotetakuu on riippuvainen työkalun ja sen osien oikeasta käytöstä, huollosta ja korjauksesta.
- Osien vaurioituminen, joka on aiheutunut riittämättömästä huollosta tai muiden, kuin Atlas Copco osapuolien tai heidän valtuutettujen huoltokumppaneiden toimesta takuuajana ei sisälly takuun piiriin.
- Työkalun osien vaurioitumisen ja tuhoutumisen välttämiseksi huolla työkalu suositeltujen huoltoaikataulujen mukaisesti oikeita ohjeita noudattamalla.
- Takuukorjaukset on suoritettava ainoastaan Atlas Copco korjaamoissa tai valtuutetun huoltokumppaneiden toimesta.

tarjoaa laajennetun takuun ja huipputasoa edustavaa ennaltaehkäisevää huoltoa sen Atlas Copco ToolCover -sopimuksen kautta. Pyydä lisätietoja ottamalla yhteys paikalliseen huoltoedustajaasi.

Sähkömoottoreille:

- Takuu on voimassa vain, jos sähkömoottoria ei ole avattu.

### ServAid

ServAid on portaali, joka sisältää teknistä tietoa kaikista laitteisto- ja ohjelmistotuotteista, kuten:

- Tekniset tiedot
- Asennus, käyttö ja kunnossapito
- Varaosaluettelot
- Lisävarusteet

ServAidia päivitetään jatkuvasti ja se on saatavilla osoitteessa: <https://servaid.atlascopco.com>

Pyydä lisätietoja ottamalla yhteys paikalliseen Atlas Copco -edustajaasi.

## Käyttöturvallisuustiedotteet MSDS/SDS

Käyttöturvallisuustiedotteissa kuvataan Atlas Copcon toimitamien kemikaalituotteiden ominaisuudet.

Katso lisätietoja verkkosivustolta:

[www.atlascopco.com/sds](http://www.atlascopco.com/sds)

## Τεχνικά δεδομένα

### Τεχνικά δεδομένα

Κωδ. παραγγελίας	8411033965
Μοντέλο	LZB34-RL-AR005-11
Κατανάλωση αέρα σε ελεύθερη ταχύτητα	l/s
Κατανάλωση αέρα σε ελεύθερη ταχύτητα	- cfm
Κατανάλωση αέρα σε μέγ. έξοδο	7.9 l/s
Κατανάλωση αέρα σε μέγ. έξοδο	-16.8 cfm
Ροπή πέδησης	Nm
Ροπή πέδησης	ft lb
Ενσωματωμένο φρένο	No
Υλικό εξωτερικών μερών	Stainless steel
Ελεύθερη ταχύτητα	450 r/min
Μέγ. έξοδος	0.25 kW
Μέγ. έξοδος	0.34 hp
Ελάχ. ροπή εκκίνησης	12.6 Nm
Ελάχ. ροπή εκκίνησης	9.3 ft lb
Λόγος	
Κατεύθυνση περιστροφής	Reversible
Κωδικός φόρτωσης άξονα	c
Τύπος άξονα	Keyed
Ταχύτητα σε μέγ. έξοδο	240 r/min
Ροπή ακινητοποίησης	19.6 Nm
Ροπή ακινητοποίησης	14.5 ft lb
Ροπή σε μέγ. έξοδο	9.8 Nm
Ροπή σε μέγ. έξοδο	7.2 ft lb
Τύπος βαλβίδας	Lubrication free
Βάρος	1.2 kg
Βάρος	2.65 lb
Εύκαμπος σωλήνας εισόδου	10 mm
Εύκαμπος σωλήνας εισόδου	0.4 in
Δείκτης προστασίας από εισχώρηση	IP66/IP68/IP69
Εύκαμπος σωλήνας εξόδου	10 mm
Εύκαμπος σωλήνας εξόδου	0.4 in
IP Βαθμολογία	IP66/IP68/IP69

## Δείκτης IP (δείκτης προστασίας από εισχώρηση)

Ο δείκτης IP των αεροκινητήρων παραπέμπει στο μηχανικό περίβλημα σύμφωνα με το πρότυπο Διεθνούς Ηλεκτροτεχνικής Επιτροπής (IEC) 60529. Ο δείκτης IP δεν καλύπτει την αντοχή στη διάβρωση ή σε άλλα υγρά εκτός από το καθαρό γλυκό νερό.

## Δηλώσεις

### ΔΗΛΩΣΗ ΕΝΣΩΜΑΤΩΣΗΣ ΕΕ

Εμείς, η **Atlas Copco Industrial Technique AB**, SE-105 23 STOCKHOLM SWEDEN, δηλώνουμε με αποκλειστική ευθύνη μας ότι αυτό το προϊόν (με όνομα, τύπο και σειριακό αριθμό, βλέπε πρωτοσέλιδό του) πληροί τις ακόλουθες βασικές απαιτήσεις της Οδηγίας 2006/42/ΕΚ για τα Μηχανήματα:

2006/42/ΕΚ (Annex I, clauses 1.1, 1.2 (excluding 1.2.4.3), 1.3, 1.4, 1.5, 1.6, 1.7)

Και ότι το εν λόγω ημιτελές μηχανήμα συμμορφώνεται με τις διατάξεις της (των) ακόλουθης(-ων) άλλης(-ων) οδηγίας(-ων) της ΕΕ:

2014/34/EU (ATEX)

Το εν λόγω ημιτελές μηχανήμα δεν πρέπει να τίθεται σε λειτουργία παρά μόνο όταν το τελικό μηχανήμα στο οποίο πρόκειται να ενσωματωθεί έχει δηλωθεί σύμφωνα με τις διατάξεις της Οδηγίας 2006/42/ΕΚ σχετικά με τα μηχανήματα, κατά περίπτωση.

Έχουν εφαρμοστεί τα ακόλουθα (τμήματα/ρήτρες) των Ευρωπαϊκών εναρμονισμένων προτύπων:

EN 1127-1:2019, EN ISO 12100:2010, EN ISO 80079-36:2016, EN ISO 80079-37:2016

Ο σχετικός τεχνικός φάκελος συντάχθηκε και κοινοποιήθηκε σύμφωνα με την οδηγία για τα μηχανήματα 2006/42/ΕΚ μέρος Β του παραρτήματος VII και την οδηγία ATEX 2014/34/ΕΕ άρθρο 13 παράγραφος 1 στοιχείο β) ii στον κοινοποιημένο οργανισμό ExVeritas ApS (αριθμός μητρώου ΕΕ 2804) στη Δανία. Οι αρχές μπορούν να ζητήσουν το τεχνικό αρχείο για την Οδηγία 2014/34/ΕΕ ATEX σε έντυπη μορφή από:

<https://www.exveritas.com/2022/02/02/what-you-need-for-atex-and-ukca-explosive-atmosphere-certification-for-the-uk-and-eu-markets/>

Stockholm, 1 September 2023

**Håkan Andersson, Managing Director**

Υπογραφή εκδότη



## Περιφερειακές απαιτήσεις

### ⚠️ ΠΡΟΕΙΔΟΠΟΙΗΣΗ

Αυτό το προϊόν μπορεί να σας εκθέσει σε χημικές ουσίες, συμπεριλαμβανομένου του μόλυβδου, ο οποίος είναι γνωστός στην πολιτεία της Καλιφόρνιας ότι προκαλεί καρκίνο και γενετικές ανωμαλίες ή άλλη αναπαραγωγική βλάβη. Για περισσότερες πληροφορίες επισκεφθείτε την ιστοσελίδα [www.P65Warnings.ca.gov](http://www.P65Warnings.ca.gov)

## Πληροφορίες σχετικά με το Άρθρο 33 του κανονισμού REACH

Ο Ευρωπαϊκός Κανονισμός (ΕΕ) αριθ. 1907/2006 για την Καταχώριση, την Αξιολόγηση, την Αδειοδότηση και τους Περιορισμούς των Χημικών ουσιών (REACH) καθορίζει, μεταξύ άλλων, απαιτήσεις σχετικά με την επικοινωνία στην αλυσίδα εφοδιασμού. Η απαίτηση πληροφοριών ισχύει και για προϊόντα που περιέχουν τις λεγόμενες Άκρωσ Ανησυχαστικές Ουσίες («Κατάλογος Υποψηφίων»). Στις 27 Ιουνίου 2018 προστέθηκε στον Κατάλογο Υποψηφίων ο μεταλλικός μόλυβδος (CAS αριθ. 7439-92-1).

Σύμφωνα με τα ως άνω αναφερόμενα, αυτό σας ενημερώνει ότι ορισμένα μηχανικά εξαρτήματα στο προϊόν ενδέχεται να περιέχουν μεταλλικό μόλυβδο. Αυτό συμμορφώνεται με την ισχύουσα νομοθεσία περί περιορισμού ουσιών και βασίζεται σε νόμιμες εξαιρέσεις στην οδηγία RoHS (2011/65 / ΕΕ). Κατά τη διάρκεια της κανονικής χρήσης, ο μεταλλικός μόλυβδος δεν θα διαρρεύσει ή θα μεταλλαχθεί από το προϊόν και η συγκέντρωση του μεταλλικού μολύβδου στο πλήρες προϊόν είναι πολύ κάτω από το ισχύον όριο. Λάβετε υπόψη τις τοπικές απαιτήσεις σχετικά με τη διάθεση του μολύβδου στο τέλος του κύκλου ζωής του.

## Ασφάλεια

### ⚠️ ΠΡΟΕΙΔΟΠΟΙΗΣΗ Κίνδυνος υλικής ζημιάς ή σοβαρού τραυματισμού

Βεβαιωθείτε ότι έχετε διαβάσει, κατανοήσει και ακολουθείτε όλες τις οδηγίες προτού χειριστείτε το εργαλείο. Σε περίπτωση που δεν τηρήσετε όλες τις οδηγίες ενδέχεται να προκληθεί ηλεκτροπληξία, πυρκαγιά, υλική ζημιά ή/ και σοβαρός τραυματισμός.

- ▶ Διαβάστε όλες τις Πληροφορίες ασφαλείας οι οποίες παραδίδονται μαζί με τα διάφορα εξαρτήματα του συστήματος.
- ▶ Διαβάστε όλες τις Οδηγίες προϊόντος για την εγκατάσταση, τη λειτουργία και τη συντήρηση των διαφόρων εξαρτημάτων του συστήματος.
- ▶ Διαβάστε όλους τους κανονισμούς ασφαλείας της τοπικής νομοθεσίας που αφορούν το σύστημα και τα εξαρτήματά του.
- ▶ Φυλάξτε όλες τις Πληροφορίες ασφαλείας και τις οδηγίες για να ανατρέξετε μελλοντικά σε αυτές.

## Δήλωση χρήσης

Αυτό το μοτέρ σχεδιάστηκε για να ενσωματωθεί σε μία σταθερή ή κινούμενη μηχανή. Προορίζεται μόνο για δεξιά περιστροφή, μόνο για αριστερή περιστροφή ή αναστρέψιμη περιστροφή και πρέπει να στερεώνεται μόνο μέσω της

φλάντζας ή της σπειρωμένης μύτης, ανάλογα με την περίπτωση. Δεν επιτρέπεται άλλη χρήση. Αποκλειστικά για επαγγελματική χρήση.

Ο κίνδυνος ανάφλεξης μίας δυναμικά εκρηκτικής ατμόσφαιρας λόγω των μοτέρ είναι εξαιρετικά μικρός. Ο χρήστης είναι υπεύθυνος για την αξιολόγηση των κινδύνων που σχετίζονται με ολόκληρη τη μηχανή όπου θα ενσωματωθεί το μοτέρ.

## Ειδικές οδηγίες προϊόντος

### Προειδοποίηση

#### ⚠️ ΠΡΟΕΙΔΟΠΟΙΗΣΗ Κίνδυνος από πολυμερή

Τα περύγια αυτού του προϊόντος περιέχουν PTFE (ένα συνθετικό φθοροπολυμερές). Εξαιτίας της φθοράς, ενδέχεται να υπάρχουν σωματίδια PTFE στο εσωτερικό του προϊόντος. Εάν θερμανθεί, το PTFE μπορεί να παραγάγει αναθυμιάσεις, οι οποίες μπορεί να προκαλέσουν πυρετό από αναθυμιάσεις πολυμερούς με συμπτώματα παρόμοια με αυτά της γρίπης, ειδικά αν η εισπνοή γίνει καπνίζοντας μολυσμένο καπνό.

Κατά τη μεταχείριση των περυγίων και άλλων εξαρτημάτων, τηρείτε τις συστάσεις υγείας και ασφάλειας για το PTFE:

- ▶ Μην καπνίζετε όταν πραγματοποιείτε εργασίες συντήρησης σε αυτό το προϊόν
- ▶ Τα σωματίδια PTFE δεν πρέπει να έρθουν σε επαφή με γυμνή φλόγα, πυρακτωμένα αντικείμενα ή θερμότητα
- ▶ Τα εξαρτήματα του κινητήρα πρέπει να πλένονται με καθαριστικό υγρό και όχι φυσώντας συμπιεσμένο αέρα
- ▶ Πλένετε τα χέρια σας πριν ξεκινήσετε οποιαδήποτε άλλη δραστηριότητα

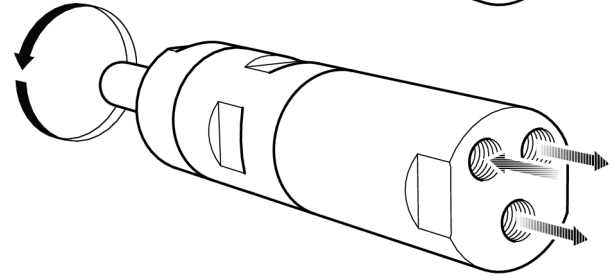
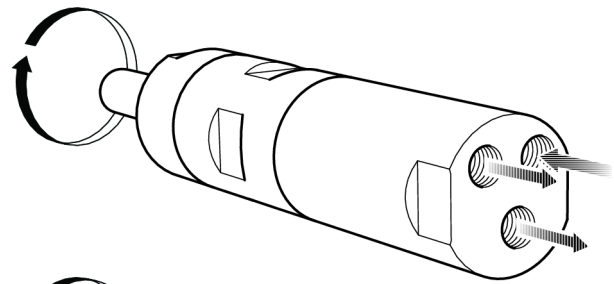
### Δείκτης IP (δείκτης προστασίας από εισχώρηση)

Ο Δείκτης IP των αεροκινητήρων ρυθμίζεται σε συνθήκες υπό πίεση και αποκλείει την έξοδο ή τον προσαρτημένο σιγαστήρα. Αν ο κινητήρας λειτουργεί με βύθιση ή με πίδακες βαρύ ύδωρ, συνιστάται να οδηγείτε την άκρη εξόδου μακριά από το νερό με έναν εύκαμπτο λάστιχο. Όταν βυθίζετε, κρατήστε πάντα τον κινητήρα υπό πίεση με μεγαλύτερη πίεση από το αντίστοιχο βάθος.

### Σύνδεση παροχής αέρα

Όταν η παροχή πεπιεσμένου αέρα συνδέεται με την είσοδο, η κατεύθυνση περιστροφής θα είναι όπως φαίνεται στην παρακάτω εικόνα. Αν ο αέρας εξόδου πρέπει να παροχετευτεί εκτός του συστήματος, ένας εύκαμπτος σωλήνας πρέπει να συνδεθεί με την έξοδο.

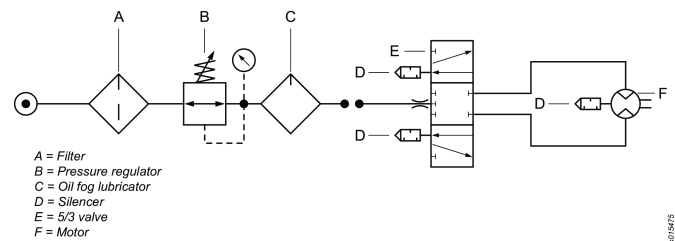
Η παροχή πεπιεσμένου αέρα πρέπει να συνδεθεί με την αντίστοιχη είσοδο για την επιθυμητή κατεύθυνση περιστροφής, βλ. παρακάτω εικόνα. Η είσοδος που δεν χρησιμοποιείται, λειτουργεί ως πρόσθετη έξοδος και δεν πρέπει να συνδέεται.



s015473

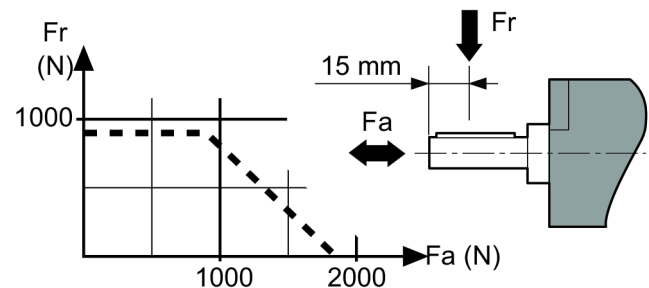
### Διάγραμμα εγκατάστασης

Αναστρέψιμος κινητήρας



en1675

### Διάγραμμα φορτίου άξονα

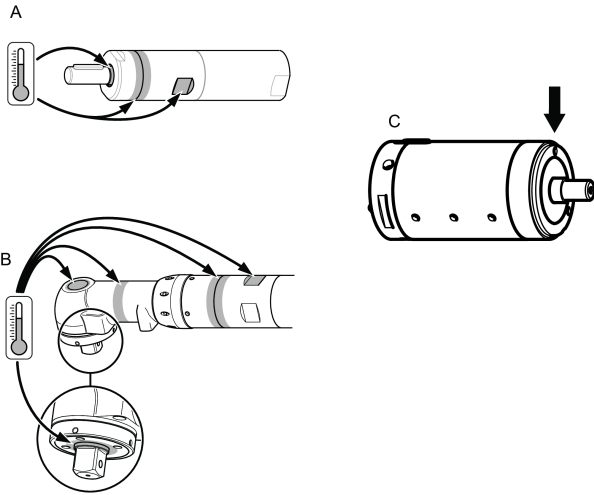


8000345

### Θερμά σημεία

Τα παρακάτω θερμά σημεία του κινητήρα μπορούν να υπερθερμανθούν κατά τη λειτουργία. Η εικόνα δείχνει τα θερμά σημεία για συγκεκριμένα μοντέλα:

- Δακτύλιος στεγανοποίησης στον άξονα εξόδου (A, B, C)
- Σύνδεσμος μεταξύ μπροστινού εξαρτήματος και οδοντωτού δακτυλίου (A, B)
- Λαβή κλειδιού (A, B)



Οι υψηλότερες θερμοκρασίες σημειώνονται όταν ο κινητήρας λειτουργεί με πλήρη πίεση χωρίς φορτίο. Όσο αυξάνεται η ροπή, τόσο μειώνει ο αεροκινητήρας την ταχύτητα και τη θερμοκρασία περιστροφής.

### Προειδοποίηση

Σιγουρευτείτε ότι είστε εξοικειωμένοι με τις οδηγίες λειτουργίας πριν χρησιμοποιήσετε αυτόν τον κινητήρα.

Ο κινητήρας, τα εξαρτήματα και τα αξεσουάρ του πρέπει να χρησιμοποιούνται μόνο για το σκοπό για τον οποίο έχουν σχεδιαστεί.

Για λόγους ευθύνης για το προϊόν και για λόγους ασφαλείας, οποιαδήποτε τροποποίηση στον κινητήρα ή στα αξεσουάρ του η οποία ενδέχεται να επηρεάσει την ευθύνη για το προϊόν πρέπει να συμφωνηθεί εκ των προτέρων με την εξουσιοδοτημένη τεχνική υπηρεσία του κατασκευαστή.

### Για αποφυγή προσωπικού τραυματισμού και μακροπρόθεσμων κινδύνων:

- Αν ο κινητήρας φέρει πιστοποίηση ATEX, πρέπει να τοποθετηθούν φίλτρα/σιγαστήρες στα στόμια εξόδου του κινητήρα.

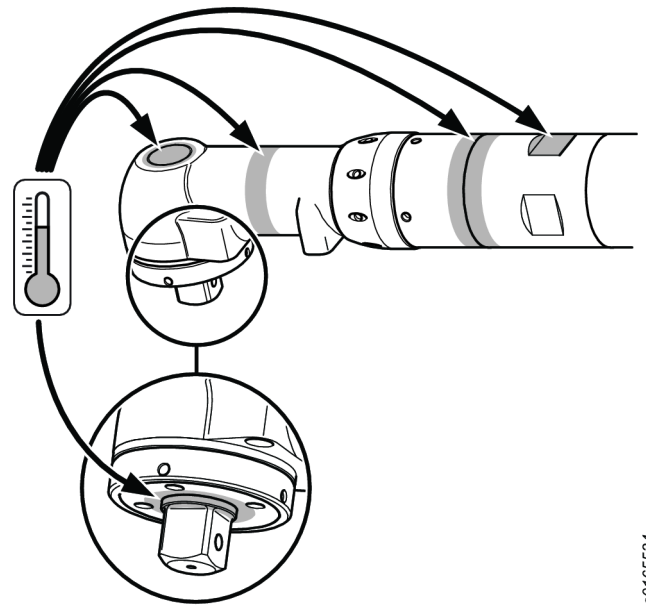
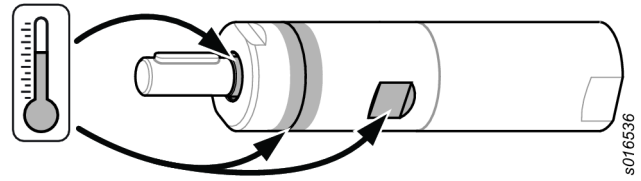
Οι σιγαστήρες συνιστώνται επίσης και για άλλες εφαρμογές για μείωση της έκθεσης στο θόρυβο.

- Πριν από οποιαδήποτε διαδικασία ρύθμισης, αποσυνδέστε τον κινητήρα από τον αεραγωγό.
- **Προσέχετε τα χέρια, τα μαλλιά και τα ρούχα σας - να διατηρείτε πάντα σε απόσταση ασφαλείας από τα περιστρεφόμενα μέρη.**

### Συντήρηση

- Η συντήρηση και οι επισκευές αυτού του προϊόντος ATEX πρέπει να πραγματοποιούνται αποκλειστικά από εξουσιοδοτημένο προσωπικό· μετά από τις εργασίες αυτές πρέπει να πραγματοποιηθεί δοκιμή απουσία φορτίου, καθώς και μετρήσεις θερμοκρασίας (όπως φαίνεται στο σχήμα), οι οποίες πρέπει να καταγράφονται σε ένα μητρώο.

Μετά από δοκιμή απουσία φορτίου, διάρκειας 5 λεπτών, η θερμοκρασία επιφανείας δεν πρέπει να υπερβαίνει το άθροισμα  $45^{\circ}\text{C} +$  θερμοκρασία περιβάλλοντος, όπου η θερμοκρασία περιβάλλοντος μπορεί να κυμαίνεται από  $0 - 40^{\circ}\text{C}$ .



### Γενικές Οδηγίες για την Ασφάλεια

Για να μειωθεί ο κίνδυνος τραυματισμών, όλοι όσοι χρησιμοποιούν, εγκαθιστούν, επισκευάζουν, αλλάζουν εξαρτήματα ή εργάζονται πλησίον του εν λόγω εργαλείου πρέπει να διαβάσουν και να κατανοήσουν τις παρούσες οδηγίες, προτού πραγματοποιήσουν οποιαδήποτε από τις παραπάνω ενέργειες.

Ο στόχος μας είναι να παράγουμε εργαλεία που σας βοηθούν να εργάζεστε με ασφάλεια και αποδοτικότητα. Η πλέον σημαντική συσκευή ασφαλείας γι' αυτό το σκοπό είστε ΕΣΕΙΣ. Η φροντίδα και η καλή κρίση αποτελούν την καλύτερη προστασία από τους τραυματισμούς. Δεν είναι δυνατόν να καλυφθούν όλοι οι πιθανοί κίνδυνοι στο φυλλάδιο αυτό, αλλά προσπαθήσαμε να επισημάνουμε μερικούς από τους πιο σημαντικούς.

- Η εγκατάσταση, η ρύθμιση και η χρήση αυτού του ηλεκτρικού εργαλείου θα πρέπει να γίνεται μόνον από πιστοποιημένους και εκπαιδευμένους χειριστές
- Το εργαλείο αυτό και τα εξαρτήματά του δεν πρέπει να τροποποιηθούν κατά κανένα τρόπο.
- Μην χρησιμοποιείτε αυτό το εργαλείο αν φέρει ζημιές.
- Αν η ονομαστική ταχύτητα, η πίεση λειτουργίας ή οι προειδοποιητικές επιγραφές κινδύνου του εργαλείου δεν είναι πλέον ευανάγνωστες ή ξεκολλήσουν, αντικαταστήστε τις άμεσα.

**(i) Για επιπρόσθετες πληροφορίες σχετικά με την ασφάλεια συμβουλευθείτε:**

- Άλλα έγγραφα και πληροφορίες που συνοδεύουν αυτό το εργαλείο.
- Τον εργοδότη σας, το σωματείο, ή και τον εμπορικό σας σύλλογο.
- Μπορείτε να λάβετε περισσότερες πληροφορίες σχετικά με την ασφάλεια και την υγιεινή στην εργασία από τις ακόλουθες ιστοσελίδες:
  - <http://www.osha.gov> (USA)
  - <https://osha.europa.eu/> (Ευρώπη)

**Παροχή αέρα και κίνδυνοι σύνδεσης**

- Ο πεπιεσμένος αέρας μπορεί να προκαλέσει σοβαρό τραυματισμό.
- Κλείνετε πάντοτε την παροχή αέρα, αποστραγγίστε τον εύκαμπτο σωλήνα από πεπιεσμένο αέρα και αποσυνδέστε το εργαλείο από την παροχή αέρα όταν δεν το χρησιμοποιείτε, πριν να αλλάξετε εξαρτήματα ή όταν πραγματοποιείτε επισκευές.
- Ποτέ μην κατευθύνετε αέρα επάνω σε εσάς ή σε οποιονδήποτε άλλο.
- Οι εύκαμπτοι σωλήνες που πετάγονται μπορεί να προκαλέσουν σοβαρό τραυματισμό. Ελέγχετε πάντοτε για εύκαμπτους σωλήνες και συνδέσμους με ζημιά ή χαλάρωση.
- Μην υπερβαίνετε τη μέγιστη πίεση αέρα 6,3 bar / 90 psig, ή εκείνη που ορίζεται στην πινακίδα στοιχείων του εργαλείου.

**Κίνδυνοι εμπλοκής**

- Μην πλησιάζετε στον περιστρεφόμενο μηχανισμό κίνησης. Πιγμός, αφαίρεση τριχωτού κεφαλής ή/ και εκδορές είναι δυνατό να συμβούν αν χαλαρά ρούχα, γάντια, κοσμήματα, αξεσουάρ λαιμού και μαλλιά δεν κρατηθούν μακριά από το εργαλείο και τα εξαρτήματά του.

**Κίνδυνοι από θραύσματα**

- Φοράτε πάντα γυαλιά και μάσκα προσώπου ανθεκτικά σε κρούσεις όταν συμμετέχετε στη λειτουργία ή είστε κοντά σε λειτουργίες επισκευών ή συντήρησης του εργαλείου, ή όταν αντικαθιστάτε παρελκόμενα στο εργαλείο. Συνιστώνται γάντια και προστατευτικός ρουχισμός.
- Βεβαιωθείτε ότι όλα τα υπόλοιπα άτομα στο χώρο φορούν ανθεκτικό στην κρούση προστατευτικό εξοπλισμό για τα μάτια και το πρόσωπο. Ακόμη και μικρά θραύσματα μπορούν να τραυματίσουν τα μάτια και να προκαλέσουν τύφλωση.
- Βεβαιωθείτε ότι το αντικείμενο προς επεξεργασία είναι στερεωμένο με ασφάλεια.

**Κίνδυνοι χειρισμού**

- Στερεώστε το εργαλείο με ασφάλεια.
- Βεβαιωθείτε ότι το εργαλείο είναι πλήρως ακινητοποιημένο προτού αφαιρέσετε το εξάρτημα λειτουργίας.

- Τοποθετείτε πάντοτε ελέγχους μπλοκαρίσματος έναρξης, διακοπής λειτουργίας και έκτακτης ανάγκης στο μηχάνημα όπου πρόκειται να ενσωματωθεί ο κινητήρας/ ο κινητήρας ροπής.

**Κίνδυνοι από θόρυβο**

- Οι υψηλές στάθμες θορύβων μπορεί να προκαλέσουν μόνιμη απώλεια ακοής και άλλα προβλήματα, όπως εμβόες. Χρησιμοποιείτε προστατευτικά για τα αυτιά όπως συνιστάται από τον εργοδότη σας ή τους κανονισμούς υγείας και ασφαλείας του χώρου εργασίας.
- Για να αποτρέψετε τις μη απαραίτητες ενισχύσεις των επιπέδων θορύβου, θέστε σε λειτουργία και συντηρήστε το εργαλείο και επιλέξτε, συντηρήστε και αντικαταστήστε τα εξαρτήματα και τα αναλώσιμα, σύμφωνα με το παρόν εγχειρίδιο οδηγιών,

**Κίνδυνοι στο χώρο εργασίας**

- Ολισθήσεις (γλιστρήματα) / σκουντουφλήματα / πτώσεις, αποτελούν κύριες αιτίες σοβαρού τραυματισμού ή θανάτου. Προσέχετε τον περισσευούμενο εύκαμπτο σωλήνα που αφήνεται στην επιφάνεια βάδισης ή εργασίας.
- Μην εισπνέετε σκόνη ή αναθυμιάσεις και μην χειρίζεστε απόβλητα της διαδικασίας εργασίας, τα οποία είναι δυνατό να προκαλέσουν προβλήματα υγείας (π.χ. καρκίνο, συγγενείς ανωμαλίες, άσθμα ή/ και δερματίτιδες). Χρησιμοποιήστε εξοπλισμό εξόθλησης σκόνης και προστατευτικό αναπνευστικό εξοπλισμό όταν εργάζεστε με υλικά τα οποία παράγουν αερομεταφερόμενα σωματίδια.
- Η σκόνη που παράγεται από αμμοβολή, πριόνισμα, λείανση (τρόχισμα), διάτρηση και άλλες κατασκευαστικές δραστηριότητες με ηλεκτρικά ή pneυματικά εργαλεία περιέχει χημικές ουσίες γνωστές στην Πολιτεία της Καλιφόρνια για πρόκληση καρκίνου ή γενετικών ανωμαλιών (συγγενών διαμαρτιών διαπλάσεων) ή άλλες αναπαραγωγικές βλάβες. Ορισμένα παραδείγματα αυτών των χημικών ουσιών είναι τα εξής:
  - Μόλυβδος από βαφές με βάση μόλυβδο
  - Τούβλα κρυσταλλικής σιλικόνης και τσιμέντου καθ' άλλα προϊόντα τοιχοποιίας
  - Αρσενικό και χρώμιο από χημικά επεξεργασμένο καουτσούκ

Ο κίνδυνος που διατρέχετε από αυτές τις εκθέσεις ποικίλει, ανάλογα με το πόσο συχνά κάνετε αυτό τον τύπο εργασίας. Για τη μείωση της έκθεσής σας σ' αυτές τις χημικές ουσίες: εργάζεστε σε καλά αεριζόμενο χώρο και εργάζεστε με εγκεκριμένο εξοπλισμό ασφαλείας, όπως με μάσκες για τη σκόνη που είναι ειδικά σχεδιασμένες να φιλτράρουν μικροσκοπικά σωματίδια.

- Συνεχίστε με προσοχή σε περιβάλλοντα με τα οποία δεν είστε εξοικειωμένος/η. Να έχετε επίγνωση των ενδεχόμενων κινδύνων που δημιουργούνται από την εργασιακή σας δραστηριότητα. Αυτό το εργαλείο δεν είναι μονωμένο για περιπτώσεις επαφής με πηγές ηλεκτρικής ενέργειας.

**ΜΗΝ ΑΠΟΡΡΙΠΤΕΤΕ - ΔΩΣΤΕ ΣΤΟ ΧΡΗΣΤΗ**

## Σήματα και αυτοκόλλητες ετικέτες

Το προϊόν διαθέτει σήματα και αυτοκόλλητα που περιέχουν σημαντικές πληροφορίες για την ατομική ασφάλεια και τη συντήρηση του προϊόντος. Τα σήματα και τα αυτοκόλλητα πρέπει να είναι πάντοτε ευανάγνωστα. Μπορείτε να παραγγείλετε καινούργια σήματα και αυτοκόλλητα από τον κατάλογο ανταλλακτικών.



s011050

## Πληροφορίες πιστοποίησης ATEX

### Θερμοκρασίες

- Η μέγιστη θερμοκρασία περιβάλλοντος χώρου για την οποία ισχύει η πιστοποίηση είναι 40°C.
- 40°C είναι επίσης η μέγιστη επιτρεπόμενη θερμοκρασία του πεπιεσμένου αέρα όταν εισέρχεται στο προϊόν.
- Αν το προϊόν εγκαθίσταται σε έναν εξοπλισμό, ολόκληρος ο εξοπλισμός πρέπει να αντιστοιχεί στις οδηγίες 2014/34/ΕΕ.
- Βεβαιωθείτε ότι ο πεπιεσμένος αέρας πληροί τις απαιτήσεις ποιότητας (κατηγορίες ποιότητας 2.4.3 και 3.4.4 αντίστοιχα, σύμφωνα με το πρότυπο ISO/DIS 8573-1:2010).
- Μην υπερβαίνετε τη μέγιστη πίεση των 6,3 bar, ή αυτήν που αναφέρεται στην πινακίδα του προϊόντος. Η υπέρβαση της πίεσης λειτουργίας μπορεί να αυξήσει τη θερμοκρασία επιφανείας λόγω υψηλότερης ταχύτητας περιστροφής και το προϊόν μπορεί να γίνει πηγή ανάφλεξης.

### Κατάταξη Ex

Αν το προϊόν αποτελεί μέρος μίας διάταξης, όπου τα στοιχεία έχουν διαφορετική κατάταξη Ex, το στοιχείο με το χαμηλότερο επίπεδο ασφάλειας καθορίζει την κατάταξη Ex ολόκληρης της διάταξης.

### Οδηγίες για την αποτροπή εκρήξεων

#### Καθαριότητα

- Φροντίστε το προϊόν να είναι καθαρό από σκόνη και ακαθαρσίες, ώστε να αποφεύγεται η αυξημένη θερμοκρασία του τριβέα και της επιφάνειας.
- Αν χρησιμοποιείτε σιγαστήρα: Βεβαιωθείτε ότι έχει εγκατασταθεί ένας σιγαστήρας με δράση φιλτραρίσματος στην έξοδο αέρα, ώστε να μην εισέλθουν στο γύρω περιβάλλον σωματίδια που θερμάνθηκαν λόγω τριβής.

#### Χρήση

- Βεβαιωθείτε ότι το προϊόν είναι γειωμένο στο ισοδυναμικό σύστημα δέσμευσης του συνεργείου, για παράδειγμα μέσω κατάλληλων εξαρτημάτων, όπως είναι οι εύκαμπτοι σωλήνες και οι συνδέσεις πεπιεσμένου αέρα.

- Είναι ευθύνη του κατασκευαστή να βεβαιωθεί ότι όλα τα εξαρτήματα που ενδέχεται να χρειαστούν για το προϊόν, όπως τα κλειδιά και οι συνδέσεις αέρα, συμμορφώνονται με τους εγχώριους κανονισμούς ασφαλείας για τον εξοπλισμό που χρησιμοποιείται σε δυνητικά εκρηκτικά περιβάλλοντα.

## Ορισμός κωδικού ATEX

Ο κωδικός ATEX είναι ο εξής:



Ex II 2 G Ex h IIC T6 Gb

Ex II 2 D Ex h IIIC T85°C Db

°C ≤ Ta ≤ 40 °C

Περιγραφή	Τιμή	Ορισμός
Συγκρότημα εξοπλισμού	<b>II</b>	Βιομηχανία επιφανείας
Κατηγορία Εξοπλισμού	<b>2</b>	Υψηλό επίπεδο προστασίας
<b>Ομάδα II</b>		<ul style="list-style-type: none"> <li>• περιοχή 1 (αέριο)</li> <li>• περιοχή 2 (αέριο)</li> <li>• περιοχή 21 (σκόνη)</li> <li>• περιοχή 22 (σκόνη)</li> </ul>
Ατμόσφαιρα	<b>G</b>	Ατμόσφαιρα που περιέχει Αέριο, Ατμούς ή Εκνεφώματα
	<b>D</b>	Ατμόσφαιρα που περιέχει Σκόνη
Σχεδιασμός ασφαλείας	<b>h</b>	Μηχανικό προϊόν
Ομάδα αερίου	<b>IIC</b>	Υδρογόνο/ Ακετυλένιο
	<b>IIB</b>	Αιθυλένιο
Συγκρότημα σκόνης	<b>IIIC</b>	Επιφανειακή εύφλεκτη σκόνη
Μέγιστη επιφανειακή θερμοκρασία στην ατμόσφαιρα	<b>Αερίου</b>	<b>T1</b> = 450 °C <b>T2</b> = 300 °C <b>T3</b> = 200 °C <b>T4</b> = 135 °C <b>T5</b> = 100 °C <b>T6</b> = 85 °C
Μέγ. θερμοκρασία επιφανείας σε ατμόσφαιρα	<b>Σκόνης</b>	Παραδείγματα θερμοκρασιών: <b>T85</b> °C <b>T110</b> °C <b>T120</b> °C <b>T125</b> °C <b>T240</b> °C

Περιγραφή	Τιμή	Ορισμός
Ειδικός περιορισμός, για παράδειγμα εύρος θερμοκρασίας περιβάλλοντος.	X	

## Χρήσιμες πληροφορίες

### Διαδικτυακός τόπος

Σύνδεση σε Atlas Copco: [www.atlascopco.com](http://www.atlascopco.com).

Μπορείτε να βρείτε πληροφορίες σχετικά με τα προϊόντα, τα εξαρτήματα, τα ανταλλακτικά και τις δημοσιεύσεις μας στην ιστοσελίδα μας.

### Χώρα προέλευσης

Ανατρέξτε στις πληροφορίες στην ετικέτα του προϊόντος.

### Εγγύηση

- Η εγγύηση του προϊόντος θα εκπνεύσει 12 μήνες αφόρου το προϊόν τεθεί σε χρήση για πρώτη φορά, όμως σε κάθε περίπτωση πρέπει να επκνέει το αργότερο 13 μήνες από την παράδοσή του.
- Η φυσιολογική φθορά των εξαρτημάτων δεν περιλαμβάνεται στην εγγύηση.
  - Η κανονική φθορά και υποβάθμιση είναι εκείνη που απαιτεί αντικατάσταση ανταλλακτικού ή άλλη προσαρμογή/τεχνικό έλεγχο κατά τον τυπικό έλεγχο των εργαλείων, όπως συνηθίζεται για την εν λόγω περίοδο (εκφράζεται σε χρόνο, ώρες λειτουργίας ή διαφορετικά).
- Η εγγύηση του προϊόντος εξαρτάται από την ορθή χρήση, συντήρηση και επισκευή του εργαλείου και των παρελκομένων του.
- Η ζημιά στα εξαρτήματα που σημειώνεται ως αποτέλεσμα της ανεπαρκούς συντήρησης ή της συντήρησης που εκτελείται από άτομα εκτός της Atlas Copco ή των πιστοποιημένων συνεργατών σέρβις της κατά την περίοδο ισχύος της εγγύησης δεν καλύπτεται από την εγγύηση.
- Προκειμένου να αποφευχθεί η ζημιά ή η καταστροφή εξαρτημάτων του εργαλείου, πραγματοποιείτε συντήρηση του εργαλείου, σύμφωνα με τα συνιστώμενα χρονοδιαγράμματα συντήρησης και τηρείτε τις ορθές οδηγίες.
- Οι επισκευές στο πλαίσιο της εγγύησης εκτελούνται μόνο σε συνεργεία της Atlas Copco ή από τους πιστοποιημένους συνεργάτες σέρβις.

Η Atlas Copco παρέχει εκτεταμένη εγγύηση και υπερσύγχρονη προληπτική συντήρηση, μέσω των συμβάσεων ToolCover. Για περισσότερες πληροφορίες, επικοινωνήστε με τον εκπρόσωπο σέρβις της περιοχής σας.

Για τους ηλεκτρικούς κινητήρες:

- Η εγγύηση πρέπει να ισχύει μόνο όταν ο ηλεκτρικός κινητήρας δεν έχει ανοιχθεί.

### ServAid

Το ServAid είναι μια πύλη που περιέχει τεχνικές πληροφορίες για όλα τα προϊόντα υλικού και λογισμικού, όπως:

Κανονιστικές πληροφορίες και πληροφορίες ασφαλείας

- Τεχνικά δεδομένα
- Οδηγίες εγκατάστασης, λειτουργίας και συντήρησης
- Λίστες ανταλλακτικών
- Εξαρτήματα

Το ServAid ενημερώνεται συνεχώς και διατίθεται σε: <https://servaid.atlascopco.com>

Για περισσότερες πληροφορίες, επικοινωνήστε με τον τοπικό σας εκπρόσωπο της Atlas Copco.

### Δελτία Δεδομένων Ασφαλείας MSDS/SDS

Τα δελτία δεδομένων ασφαλείας περιγράφουν χημικά προϊόντα που πωλούνται από την Atlas Copco.

Για περισσότερες πληροφορίες, ανατρέξτε στο διαδικτυακό τόπο:

[www.atlascopco.com/sds](http://www.atlascopco.com/sds)

## Tekniska data

### Tekniska data

Beställningsnummer	8411033965
Modell	LZB34-RL-AR005-11
Luftförbrukning vid tomgång	l/s
Luftförbrukning vid tomgång	cfm
Luftförbrukning vid max effekt	7.9 l/s
Luftförbrukning vid max effekt	16.8 cfm
Bromsmoment	Nm
Bromsmoment	ft lb
Inbyggd broms	No
Material på externa delar	Stainless steel
Tomgångsvarvtal	450 varv/min
Max effekt	0.25 kW
Max effekt	0.34 hp
Minimum startmoment	12.6 Nm
Minimum startmoment	9.3 ft lb
Utväxlingsförhållande	
Rotationsriktning	Reversible
Axelbelastningskod	c
Typ av axel	Keyed
Hastighet vid max effekt	240 varv/min
Moment vid stillastående	19.6 Nm
Moment vid stillastående	14.5 ft lb
Moment vid max effekt	9.8 Nm
Moment vid max effekt	7.2 ft lb
Lamelltyp	Lubrication free
Vikt	1.2 kg

Vikt	2.65 lb
Tilloppsslang	10 mm
Tilloppsslang	0.4 tum
Kapslingsklassning	IP66/IP68/IP69
Utloppsslang	10 mm
Utloppsslang	0.4 tum
IP-klassning	IP66/IP68/IP69

### IP-klassning

IP-klassningen för luftmotorer avser det mekaniska höljet enligt standarden IEC 60529. IP-klassningen täcker inte korrosionsmotstånd eller andra vätskor än rent färskvatten.

## Deklarationer

### EU-FÖRSÄKRAN OM INBYGGNAD

Vi, **Atlas Copco Industrial Technique AB**, SE-105 23 STOCKHOLM SWEDEN, försäkrar under eget ansvar att den här produkten (med namn, typ och serienummer, se framsida) uppfyller följande grundläggande krav i Maskindirektivet 2006/42/EG:

2006/42/EC (Annex I, clauses 1.1, 1.2 (excluding 1.2.4.3), 1.3, 1.4, 1.5, 1.6, 1.7)

Samt att denna delvis fullständiga maskin uppfyller bestämmelserna i följande andra EU-direktiv: 2014/34/EU (ATEX)

Ovanstående delvis fullständiga maskiner får inte tas i bruk förrän den slutliga maskin i vilken de ska ingå har deklarerats i överensstämmelse med bestämmelserna i Maskindirektivet 2006/42/EG, där så är tillämpligt.

Följande (delar av/bestämmelser i) europeiska standarder har använts:

EN 1127-1:2019, EN ISO 12100:2010, EN ISO 80079-36:2016, EN ISO 80079-37:2016

Den relevanta tekniska dokumentationen har sammanställts och meddelats enligt Maskindirektivet 2006/42/EC del B i Bilaga VII och ATEX-direktivet 2014/34/EU Artikel 13 (1) b) ii i anmält organ ExVeritas ApS (EU-identifikationsnr 2804) i Danmark. Myndigheter kan begära den tekniska filen för ATEX-direktivet 2014/34/ EU från: <https://www.exveritas.com/2022/02/02/what-you-need-for-atex-and-ukca-explosive-atmosphere-certification-for-the-uk-and-eu-markets/>

Stockholm, 1 September 2023

**Håkan Andersson, Managing Director**

Utfärdarens underskrift



### Regionala krav

#### **⚠ VARNING**

Denna produkt kan utsätta dig för kemikalier inklusive bly, som är känd för staten Kalifornien för att orsaka cancer och fosterskador och annan reproduktiv skada. För mer information gå in på [www.P65Warnings.ca.gov](http://www.P65Warnings.ca.gov)

### Information om Artikel 33 i REACH

EU-förordning (EG) nr. 1907/2006 om registrering, utvärdering, godkännande och begränsning av kemikalier (Reach) anger bland annat krav rörande kommunikation i leveranskedjan. Informationskraven gäller även för produkter som innehåller så kallade Särskilt farliga ämnen ("Kandidatförteckningen"). Den 27 juni 2018 blev blymetall (CAS-nr. 7439-92-1) tillagt i Kandidatförteckningen.

I enlighet med informationen ovan har detta meddelande som syfte att informera dig om att vissa mekaniska komponenter i produkten kan innehålla blymetall. Detta är i enlighet med rådande begränsningslagstiftning för specifika ämnen och baseras på undantag i RoHS-förordningen (2011/65/EU). Blymetall kommer inte att läcka eller förändras från eller i produkten vid normal användning och koncentrationen blymetall i den färdiga produkten ligger långt under gällande gränsvärden. Kom ihåg att kontrollera lokala krav för bly när produkten ska avfallshanteras.

## Säkerhet

#### **⚠ VARNING Risk för materiella skador eller allvarliga personskador**

Se till att du läser, förstår och följer alla instruktioner innan du använder verktyget. Om inte alla instruktioner följs, kan det leda till elstötar, brand materiella skador och/eller allvarliga personskador.

- ▶ Läs all säkerhetsinformation levereras tillsammans med de olika delarna i systemet.
- ▶ Läs alla produktinstruktioner för installation, drift och underhåll av de olika delarna i systemet.
- ▶ Läs alla lokala lagstiftade säkerhetsföreskrifter när det gäller systemet och delar till dessa.
- ▶ Spara all information och alla instruktioner för framtida referens.

### Användningsdeklaration

Denna motor är avsedd att byggas in i en fast eller rörlig maskin. Den är antingen enbart avsedd för rotation åt vänster eller reversibel rotation och ska endast monteras i flänsen eller den gängade nosen, beroende på modell. Får ej användas till andra ändamål. Endast för yrkesmässigt bruk.

Risken för att motorer ska utgöra antändningskällan i en potentiellt explosiv miljö är extremt liten. Användaren är ansvarig att bedöma riskerna för hela den maskin där motorn monteras.

## Produktspecifika anvisningar

### Varning

#### ⚠ VARNING Risker med polymerer

Lamellerna i den här produkten innehåller PTFE (en syntetisk fluoropolymer). På grund av slitage kan det finnas PTFE-partiklar inuti produkten. Uppvärmad PTFE kan alstra ångor som kan orsaka polymerröksfeber med influensaliknande symtom, särskilt vid rökning av förorenad tobak.

Hälsa- och säkerhetsrekommendationer för PTFE måste åtföljas noggrant vid hantering av lameller och andra komponenter:

- ▶ Rök inte när service utförs på denna produkt
- ▶ PTFE-partiklar får inte komma i kontakt med öppen eld, glöd eller värme
- ▶ Motorkomponenter måste tvättas med rengöringsvätska och inte blåsas rena med en luftslang
- ▶ Tvätta händerna innan du börjar med någon annan aktivitet

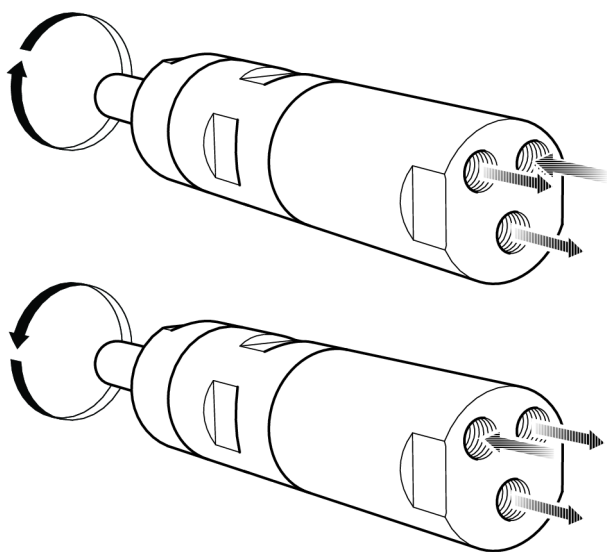
### IP-klassning

Luftmotorernas IP-klassning gäller för när de är trycksatta och utesluter utloppet samt eventuell monterad ljuddämpare. Om motorn drivs under vatten eller i områden med kraftiga vattenstrålar rekommenderas det att utloppet leds bort från vattnet med en slang. Vid drift under vatten är det viktigt att motorn alltid är trycksatt med ett högre tryck än det omgivande vattentrycket.

### Ansluta tryckluftstillförseln

När tryckluften är ansluten till inloppet, är rotationsriktningen den som visas i figuren nedan. Om utloppsluften ska ledas bort via rör, ska en slang kopplas till utloppet.

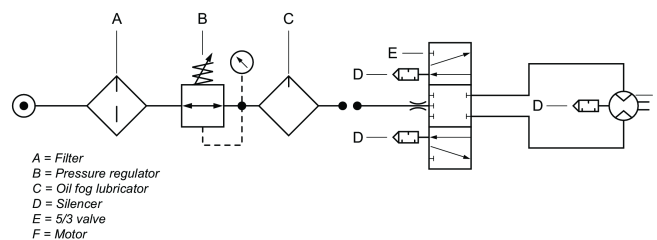
Tryckluften ska anslutas till det inlopp som motsvarar den önskade rotationsriktningen, se figuren nedan. Det inlopp som inte används, fungerar som ett extra utlopp och får inte vara igenpluggat.



s015473

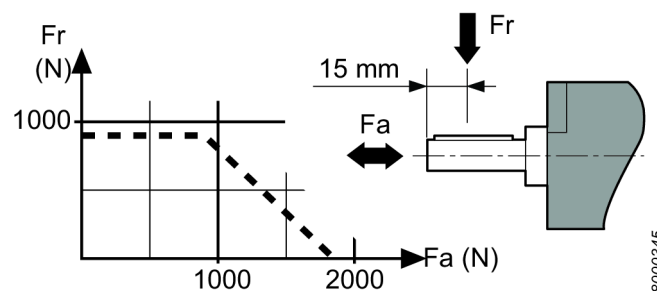
### Installationsdiagram

Reversibel motor:



en15475

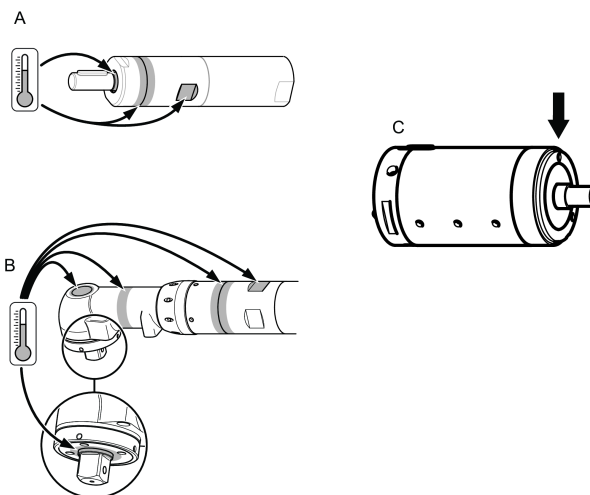
### Axellastdiagram



### Markerade punkter

Följande markerade punkter på motorn kan bli mycket varma under drift: Bilden visar varma punkter för specifika modeller:

- Tätningsring på den utgående axeln (A, B, C)
- Fog mellan framdel och kuggkrans (A, B)
- Nyckelgrepp (A, B)



162026561

De högsta temperaturerna uppstår när motorn körs på fullt tryck utan belastning. Med stigande vridmoment minskar tryckluftmotorns rotationshastighet och därmed temperaturen.

### Varning

Tillse att operatören har läst och förstått denna instruktion innan motorn används.

Motorn och dess tillbehör får endast användas för avsett ändamål.

Av säkerhetsskäl måste varje modifiering av motorn och dess tillbehör, som kan påverka produktsäkerheten, godkännas av tillverkarens tekniskt ansvarige.

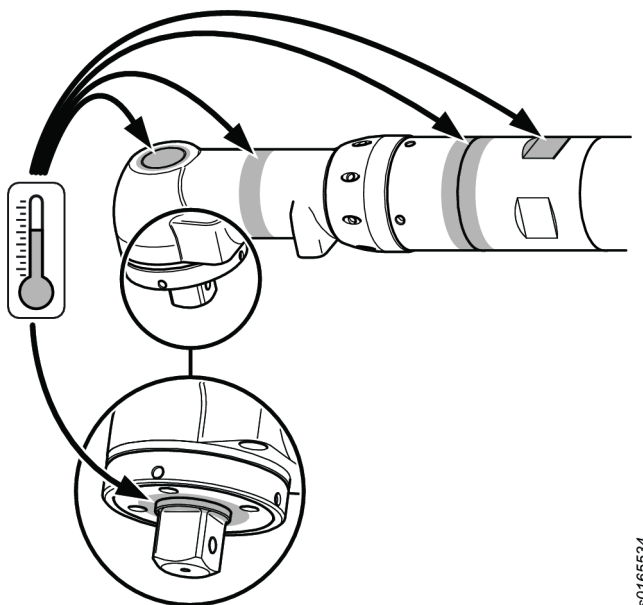
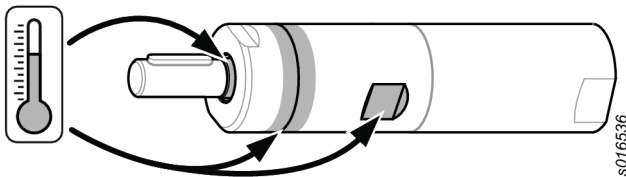
#### För att undvika personskador och skaderisker vid användning under lång tid:

- Om motorn är ATEX-certifierad, måste filter/ljuddämpare monteras i motorns utloppsportar.  
Ljuddämpare rekommenderas också för andra tillämpningar för att minska bullerexponeringen.
- Koppla bort motorn från luftledningen innan justering görs.
- **Akta händer, hår och lösa klädesplagg** – se upp för roterande delar.

#### Underhåll

- Underhåll och reparationer av detta ATEX-verktyg får enbart utföras av godkänd personal, efter vilket ett obelastat test och temperaturmätningar måste utföras på markerade punkter (visas på figuren) och dokumenteras i ett protokoll.

Efter ett 5-minuters obelastat test får yttemperaturen inte vara högre än summan av 45°C + omgivningstemperatur, där omgivningstemperaturen kan variera mellan 0 – 40°C.



#### Allmänna säkerhetsföreskrifter

För att reducera risken för skador, måste alla som använder, installerar, reparerar, underhåller, byter tillbehör på eller arbetar nära detta verktyg läsa och förstå dessa instruktioner innan de genomför några sådana uppgifter.

Vår målsättning är att tillverka verktyg som hjälper dig arbeta säkert och effektivt. Den viktigaste säkerhetsanordningen för denna målsättning och alla verktyg är du själv. Skötsel och gott omdöme är det bästa skyddet mot skador. Alla tänkbara risker kan inte täckas in här, men vi har försökt att ta upp de viktigaste.

- Endast kvalificerade och utbildade operatörer ska installera, justera eller använda detta verktyg.
- Detta verktyg och medföljande tillbehör får inte modifieras på något sätt.
- Använd inte detta verktyg om det är trasigt.
- Om märkvarvtalet, driftstrycket eller varningsskyltarna på verktyget inte är läsbara eller lossnar ska de bytas omedelbart.

#### **i** För ytterligare säkerhetsinformation ber vi er ta del av följande:

- Övriga dokument och information som packas med detta verktyg.
- Din arbetsgivare, fackförbund och/eller branschförbund.
- Ytterligare information om yrkesrelaterad hälsa och säkerhet kan erhållas på följande webplatser:
  - <http://www.osha.gov> (USA)
  - <https://osha.europa.eu/> (Europa)

#### Risker med försörjning och anslutning av tryckluft

- Trycksatt luft kan orsaka allvarlig skada.
- Stryp alltid lufttillförseln, eliminera trycket i slangarna och koppla bort verktyget från tryckluftskällan när det inte används, före utbyte av tillbehör och vid reparation.
- Rikta aldrig luftstrålen mot dig själv eller andra.
- Snärtande slangar kan orsaka allvarliga skador. Kontrollera alltid om slangar eller kopplingar är skadade eller lösa.
- Låt inte lufttrycket överstiga 6,3 bar/90 psi, eller det tryck som anges på verktygets märkplåt.

#### Risker förknippade med att fastna i rörliga delar

- Håll undan för den roterande drivspindeln. Kvävning, skalpering och/eller skärsår kan uppstå om löshängande kläder, handskar, smycken, halsband och hår inte hålls borta från verktyg och tillbehör.

#### Kringflygande föremål

- Använd alltid slagtåliga ögon- och ansiktsskydd om du arbetar med eller uppehåller dig i närheten av verktyg som används, reparerar eller underhålls eller verktygstillbehör som byts ut. Handskar och skyddskläder rekommenderas.
- Se till att alla i området använder slagtåliga skyddsglasögon och ansiktsskydd. Även små partiklar kan skada ögonen och orsaka blindhet.
- Se till att arbetsstycket är säkert fastspänt

#### Risker vid användning

- Kläm fast verktyget ordentligt.
- Säkerställ att verktyget är helt stilla innan du tar bort arbetsstycket.

- Montera alltid reglage för start, stopp och nödstopp på den maskin där motorn monteras.

**Risker vid buller**

- Höga bullernivåer kan orsaka permanent hörselnedsättning och andra problem som t.ex. tinnitus. Använd hörselskydd som rekommenderas av din arbetsgivare eller föreskrifterna för arbetarskydd.
- För att förhindra onödig ökning av bullernivån; hantera och underhåll verktyget och välj, underhåll och byt tillbehör eller förbrukningsdelar i enlighet med instruktionshandboken.

**Arbetsplatsrisker**

- Om en person halkar/snubblar/faller kan allvarliga personskador eller dödsfall inträffa. Var medveten om över-skjutande slang som ligger kvar på gång- och arbetsytor.
- Undvik att inandas damm eller andra ångor eller att hantera rester från arbetsprocessen som kan orsaka sjukdom (t.ex. cancer, fosterskador, astma och/eller hudinflammationer). Använd dammsug och andningsskydd när du arbetar med material som producerar luftburna partiklar.
- En del damm som skapas av motorblästring, -sågning, -polering, -borrning och andra konstruktionsaktiviteter innehåller kemikalier som i delstaten Kalifornien anses orsaka cancer och fosterskador eller andra reproduktiva skador. Några exempel på dessa kemikalier är:
  - Bly från blybaserad målarfärg
  - Kristallint silikattegel och cement och andra murverksprodukter
  - Arsenik och krom från kemiskt behandlat gummi.

Den risk som du utsätts för varierar beroende på hur ofta du utför den här typen av arbeten. För att reducera din exponering för dessa kemikalier: arbeta i ett väl ventilerat utrymme och arbeta med godkänd säkerhetsutrustning, såsom andningsmasker som är speciellt utformade för att filtrera bort mikroskopiska partiklar.

- Var försiktig i okända miljöer. Var medveten om tänkbara risker som skapas av ditt arbete. Detta verktyg är inte isolerat från kontakt med strömkällor.

**KASSERA INTE – GE TILL ANVÄNDAREN**

**Skyltar och dekal**

Produkten är försedd med skyltar och dekal med viktig information om personlig säkerhet och produktunderhåll. Skyltarna och dekalerna måste alltid vara lätta att läsa. Nya skyltar och dekal kan beställas med hjälp av reservdelslistan.



s071050

**Information om ATEX-certifiering**

**Temperaturer**

- Den högsta omgivningstemperaturen certifieringen gäller för är 40°C.

- 40°C är även den högsta tillåtna temperaturen för tryckluften när den kommer in i produkten.
- Om produkten är monterad i annan utrustning måste hela utrustningen uppfylla riktlinjerna enligt 2014/34/EU.
- Kontrollera att tryckluften uppfyller våra kvalitetskrav (kvalitetsklasserna 2.4.3 och 3.4.4 respektive 3.5.4 enligt ISO/DIS 8573-1:2010).
- Överskrid inte maximalt tryck på 6,3 bar eller vad som framgår av produktplattan. Överskridande av drifttemperaturen kan öka yttemperaturen på grund av högre rotationshastighet och produkten kan bli en gnistkälla.

**Ex-klassificering**

Om produkten är en del av en montering där komponenterna har olika Ex-klassificeringar, anger komponenten med den lägsta nivån, den Ex-klassificering som gäller hela montaget.

**Riktlinjer för att förhindra explosion**

**Renlighet**

- Se till att produkten hålls ren från damm och smuts för att förhindra att lager- och yttemperaturen ökar.
- Om du använder en ljuddämpare: Kontrollera att en ljuddämpare med filtreringseffekt vid luftutloppet installeras, för att förhindra att eventuella partiklar som upphettats av friktionen, hamnar i den omgivande atmosfären.

**Användning**

- Se även till att produkten jordas till potentialutjämningsystemet i verkstaden, exempelvis genom lämpliga tillbehör såsom slangar och tryckluftsanslutningar.
- Det är användarens ansvar att se till att produkten och alla eventuella tillbehör, såsom nycklar och luftanslutningar, följer de nationella säkerhetsföreskrifterna för utrustning som skall användas i potentiellt explosiv atmosfär.

**ATEX-kodens definition**

ATEX-koden är:



Ex II 2 G Ex h IIC T6 Gb

Ex II 2 D Ex h IIIC T85°C Db

°C ≤ Ta ≤ 40 °C

Beskrivning	Värde	Definition
Utrustningsgrupp	II	Ytbehandling
Utrustningskategori	2	Hög skyddsnivå
<b>Grupp II</b>		<ul style="list-style-type: none"> <li>• zon 1 (gas)</li> <li>• zon 2 (gas)</li> <li>• zon 21 (damm)</li> <li>• zon 22 (damm)</li> </ul>

Beskrivning	Värde	Definition
Atmosfär	<b>G</b>	Atmosfär som innehåller gas, ångor eller dimma
	<b>D</b>	Atmosfär som innehåller damm
Säkerhetskonstruktion	<b>h</b>	Mekanisk produkt
Gasgrupp	<b>II C</b>	Väte/ Acetylen
	<b>II B</b>	Etylen
Dammgrupp	<b>III C</b>	Brännbart ytdamm
		<b>T1</b> = 450°C
Max yttemperatur i Gas atmosfär		<b>T2</b> = 300°C
		<b>T3</b> = 200°C
		<b>T4</b> = 135°C
		<b>T5</b> = 100°C
		<b>T6</b> = 85°C
		Exempel på temperaturer:
Max yttemperatur i Damm atmosfär		T85 °C
		T110 °C
		T120 °C
		T125 °C
		T240°C
Särskild restriktion, till exempel omgivande temperatur.	<b>X</b>	

## Användbar information

### Webbplats

Logga in på Atlas Copco: [www.atlascopco.com](http://www.atlascopco.com).

Du kan hitta information om våra produkter, tillbehör, reservdelar och publicerade ärenden på vår webbplats.

### Ursprungsland

Se informationen på produktetiketten.

### Garanti

- Produktgarantin upphör att gälla 12 månader efter det att produkten först tas i bruk, men kommer ändå att upphöra senast 13 månader efter leveransen.
- Normalt slitage på delar ingår inte i garantin.
  - Normalt slitage kräver vanligen byte av delar eller annan justering/översyn vid underhåll av standardverktyg under denna period (uttryckt i tid, drifttimmar eller på annat sätt).
- Produktgarantin bygger på korrekt användning, underhåll och reparation av verktyget och dess komponenter.

- Skador på delar som uppstår som en följd av bristande underhåll eller utförs av andra än parter Atlas Copco eller deras certifierade servicepartners under garantitiden täcks inte av garantin.
- För att undvika skador eller förstörelse av verktygsdelar, bör service utföras på verktyget samt underhållsplaner följas enligt anvisningarna.
- Garantireparationer utförs endast i Atlas Copco verkstäder eller av auktoriserade servicepartners.

Atlas Copco erbjuder förlängd garanti och toppmodernt förebyggande underhåll genom dess ToolCover kontrakt. För ytterligare information, kontakta din lokala servicerepresentant.

För elektriska motorer:

- Garantin gäller endast när den elektriska motorn inte har öppnats.

### ServAid

ServAid är en portal som innehåller teknisk information för alla hårdvaru- och mjukvaruprodukter som:

Föreskrifter och säkerhetsinformation

- Tekniska data
- Monterings-, drift- och serviceanvisningar
- Reservdelslistor
- Tillbehör

ServAid uppdateras kontinuerligt och finns tillgänglig på: <https://servaid.atlascopco.com>

Kontakta din lokala Atlas Copco-representant om du vill ha mer information.

### Säkerhetsdatablad MSDS/SDS

Säkerhetsdatabladerna beskriver kemiska produkter som säljs av Atlas Copco.

För mer information, gå till webbplatsen:

[www.atlascopco.com/sds](http://www.atlascopco.com/sds)

## Технические данные

### Технические данные

Код заказа	8411033965
Модель	LZB34-RL-AR005-11
Расход воздуха на холостом ходу	л/с
Расход воздуха на холостом ходу	куб. футов/мин
Расход воздуха при макс. вых. мощности	7.9 л/с
Расход воздуха при макс. вых. мощности	16.8 куб. футов/мин
Тормозной момент	Нм
Тормозной момент	фунт силы-фут.
Встроенный тормоз	No
Материал наружных частей	Stainless steel
Скорость холостого хода	450 об/мин

Макс. вых. мощность	0.25 кВт
Макс. вых. мощность	0.34 л/с
Мин. пусковой момент	12.6 Нм
Мин. пусковой момент	9.3 фунт силы-фут.
Передаточное отношение	
Направление вращения	Reversible
Код нагрузки на вал	c
Тип вала	Keyed
Скорость при макс. вых. мощности	240 об/мин
Предельный перегрузочный момент	19.6 Нм
Предельный перегрузочный момент	14.5 фунт силы-фут.
Момент при макс. вых. мощности	9.8 Нм
Момент при макс. вых. мощности	7.2 фунт силы-фут.
Тип лопастей	Lubrication free
Вес	1.2 кг
Вес	2.65 фунта
Впускной шланг	10 мм
Впускной шланг	0.4 дюйма
Степень защиты корпуса	IP66/IP68/IP69
Выпускной шланг	10 мм
Выпускной шланг	0.4 дюйма
Класс защиты IP	IP66/IP68/IP69

### Класс защиты IP

Класс защиты IP пневмодвигателей относится к механическому корпусу согласно стандарту IEC 60529. Класс защиты IP не включает коррозионную стойкость или любые жидкости, кроме чистой пресной воды.

### Декларации

#### ДЕКЛАРАЦИЯ ЕС О ВСТРАИВАНИИ ОБОРУДОВАНИЯ

Мы, Atlas Copco Industrial Technique AB, SE-105 23 STOCKHOLM SWEDEN, с полной ответственностью заявляем, что данное изделие (название, тип и серийный номер см. на первой странице) соответствует следующим важным требованиям Директивы о машинном оборудовании 2006/42/ЕС:

2006/42/ЕС (Annex I, clauses 1.1, 1.2 (excluding 1.2.4.3), 1.3, 1.4, 1.5, 1.6, 1.7)

А также, что данное частично укомплектованное оборудование соответствует положениям следующим Директивам ЕС: 2014/34/EU (ATEX)

Данное частично укомплектованное оборудование запрещается вводить в эксплуатацию до тех пор, пока не будет заявлено, что конечное оборудование, в которое оно должно быть встроено, соответствует положениям Директивы 2006/42/ЕС в соответствующих случаях.

Применены следующие (разделы/параграфы) согласованных стандартов ЕС:

EN 1127-1:2019, EN ISO 12100:2010, EN ISO 80079-36:2016, EN ISO 80079-37:2016

Соответствующая техническая документация была составлена и передана в соответствии с Директивой по машинному оборудованию 2006/42/ЕС, часть В приложения VII и Директивой АТЕХ 2014/34/EU, статья 13 (1) b ii, в нотифицированный орган ExVeritas ApS (идентификационный номер в ЕС: 2804) в Дании. Официальные органы могут запросить технический файл в бумажной форме для Директивы АТЕХ 2014/34/EU: <https://www.exveritas.com/2022/02/02/what-you-need-for-atex-and-ukca-explosive-atmosphere-certification-for-the-uk-and-eu-markets/>

Stockholm, 1 September 2023

**Håkan Andersson, Managing Director**

Подпись заявителя



### Региональные требования

#### ⚠ ПРЕДУПРЕЖДЕНИЕ

В процессе использования данного продукта существует опасность подвергнуться воздействию химических веществ, в частности, свинца, который, согласно данным, имеющимся в штате Калифорния, вызывает раковые заболевания, врожденные дефекты развития или другие патологии репродуктивной системы. Более подробная информация представлена на веб-сайте [www.P65Warnings.ca.gov](http://www.P65Warnings.ca.gov)

### Информация относительно статьи 33 в REACH

Регламент Европейского союза (ЕС) № 1907/2006, регулирующий регистрацию, экспертизу, лицензирование и оборот химических средств (REACH), определяет, помимо прочего, требования к коммуникации в цепочке поставок. Информационные требования распространяются также на продукты, которые содержат так называемые особо опасные вещества (перечень веществ-кандидатов). 27 июня 2018 года металлический свинец (CAS номер 7439-92-1) был внесен в перечень веществ-кандидатов.

В связи с вышеизложенным настоящим ставим вас в известность, что некоторые механические компоненты продукта могут содержать металлический свинец. Это соответствует действующему законодательству в отношении ограничения использования веществ и основано на законных исключениях, указанных в Директиве ЕС по ограничению использования опасных веществ RoHS (2011/65/EU). Металлический свинец не дает утечек или не видоизменяется в продукте во время нормальной эксплуатации, и концентрация

металлического свинца в готовом продукте намного ниже применимого порогового значения. Необходимо учитывать местные требования к утилизации свинца после окончания срока службы продукта.

## Безопасность

### **⚠ ПРЕДУПРЕЖДЕНИЕ Опасность материального ущерба и травм**

Перед началом эксплуатации инструмента обязательно прочитайте все инструкции. Несоблюдение инструкций может привести к поражению электрическим током, пожару, материальному ущербу и/или серьезным травмам.

- ▶ Прочтите информацию по безопасности, поставляемую вместе с различными частями системы.
- ▶ Прочтите все инструкции по монтажу, эксплуатации и техническому обслуживанию различных частей системы.
- ▶ Прочтите все местные законодательные предписания в отношении системы и ее частей.
- ▶ Сохраните всю информацию и указания по технике безопасности для справки на будущее.

## Предписание по использованию

Данный двигатель предназначен для встраивания в стационарное или движущееся устройство. Он используется либо только для правого вращения, либо только для левого вращения, или для реверсивного вращения и при необходимости должен устанавливаться только на фланцевый или резьбовой наконечник. Любое другое использование запрещено. Только для профессионального использования.

Риск того, что двигатели могут стать источниками возгорания потенциально взрывоопасной атмосферы, чрезвычайно мал. Пользователь несет ответственность за оценку рисков, связанных со всем устройством, в которое должен встраиваться двигатель.

## Особые инструкции по устройству

### Предупреждение

#### **⚠ ПРЕДУПРЕЖДЕНИЕ Опасности, связанные с полимерами**

Лопастей данного изделия содержат материал PTFE (синтетический фторполимер политетрафторэтилен). Из-за износа внутри изделия могут присутствовать частицы PTFE. При нагревании PTFE могут образовываться пары, способные вызвать полимерную лихорадку с гриппоподобными симптомами, особенно при курении табака, загрязненного частицами PTFE.

При работе с лопастями и другими компонентами необходимо следовать правилам безопасности и нормам здравоохранения при работе с фторполимерами:

- ▶ Не следует курить при обслуживании данного изделия.
- ▶ Следует избегать контакта частиц PTFE с открытым огнем, раскаленными или горячими предметами.
- ▶ Компоненты двигателя необходимо промывать моющей жидкостью и не продувать сжатым воздухом.
- ▶ Прежде чем приступать к любой другой деятельности, следует вымыть руки.

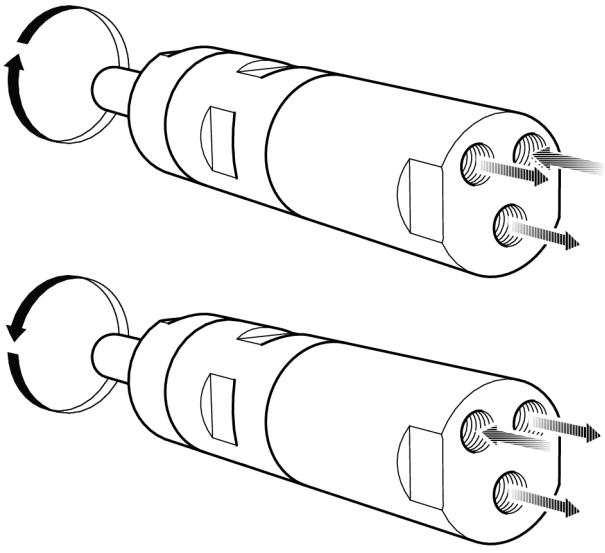
### Класс защиты IP

Класс защиты IP пневмодвигателей устанавливается в пневматическом режиме, выход или установленный глушитель не предусматриваются. Если пневмодвигатель эксплуатируется в условиях погружения или под сильной водяной струей, рекомендуется вывести выходы из воды с помощью шланга. Погружной двигатель должен всегда находиться под давлением, которое превышает давление соответствующей глубины.

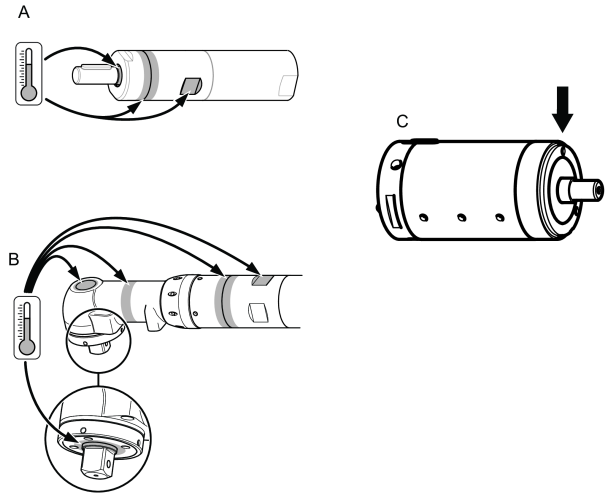
### Подсоединение линии подачи сжатого воздуха

При подсоединении линии подачи сжатого воздуха к входному отверстию направление вращения соответствует показанным на рисунке ниже вариантам. Если необходимо обеспечить отвод отработанного воздуха, следует подсоединить шланг к соответствующему выходному отверстию.

Линию подачи сжатого воздуха следует подсоединять к соответствующему входному отверстию для требуемого направления вращения (см. рисунок ниже). Неиспользуемое входное отверстие работает как дополнительное выходное и не должно закрываться заглушкой.



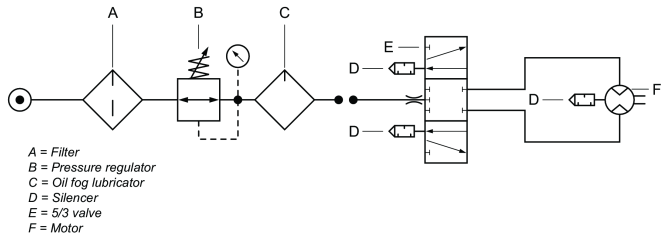
s015473



1022286601

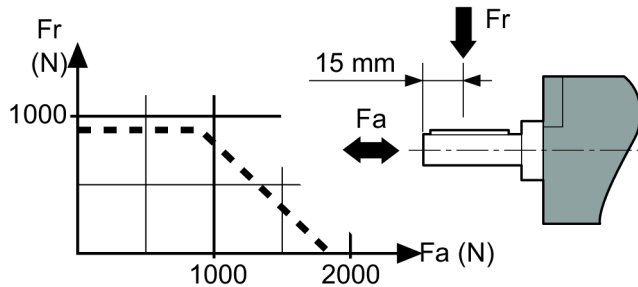
**Схема установки**

Ревёрсивный двигатель



818475

**Диаграмма нагрузки на вал**



8000345

**Точки нагрева**

Во время работы до высоких температур могут нагреваться следующие компоненты пневмодвигателя. На изображении показаны точки нагрева конкретных моделей.

- Уплотнительное кольцо на выходном валу (A, B, C)
- Соединение между передней частью и кольцом редуктора (A, B)
- Головка ключа (A, B)

Самые высокие температуры возникают, когда двигатель работает при полном давлении без нагрузки. С увеличением крутящего момента уменьшается скорость вращения пневмодвигателя и температура.

**Предупреждение**

Перед использованием этого двигателя ознакомьтесь с инструкциями по эксплуатации.

Двигатель, дополнительное оборудование и принадлежности к нему должны использоваться только по своему назначению.

Для надежности и безопасности двигателя или дополнительного оборудования любые конструкционные изменения, которые могут повлиять на его надежность, должны быть согласованы с техническим представителем производителя.

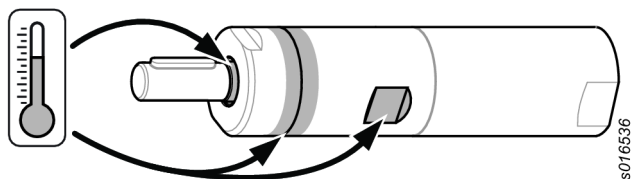
**Чтобы избежать травмы и долговременные риски:**

- Если двигатель прошел сертификацию АТЕХ, на его выходные отверстия должны быть установлены фильтры / глушители.
- Глушители также рекомендуется использовать для других областей применения с целью уменьшения шумового воздействия.
- Перед выполнением любых регулировочных операций отсоедините двигатель от пневмолinii.
- **будьте внимательны: руки, волосы и одежда должны быть на достаточном расстоянии от подвижных частей машины.**

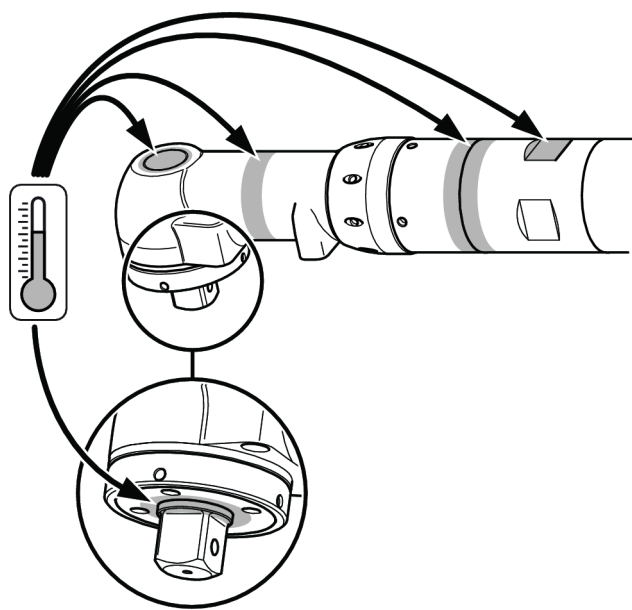
**Техническое обслуживание**

- Техобслуживание и ремонт данного устройства АТЕХ разрешается проводить только уполномоченному персоналу. По завершении следует выполнить испытание без нагрузки и температурные измерения указанных на рисунке нагреваемых компонентов, по результатам которых необходимо составить протокол.

После 5-минутной проверки без нагрузки температура поверхности не должна превышать суммы значений  $45^{\circ}\text{C}$  + температура окружающей среды", где температура окружающей среды может варьироваться в диапазоне от  $0 - 40^{\circ}\text{C}$ .



s016536



s016534

## Общие правила техники безопасности

Чтобы снизить риск получения травмы, все лица, занятые в процессе эксплуатации, установки, ремонта, техобслуживания, замены принадлежностей данного инструмента или работающие возле него, должны прочесть и усвоить настоящие инструкции перед выполнением любой из упомянутых задач.

Нашей целью является создание инструментов, помогающих обеспечить безопасное и эффективное выполнение работ. Самым важным фактором для достижения этой цели, а также для обеспечения защиты любого инструмента является ВЫ САМИ. Ваша внимательность и серьезная оценка всех рисков являются лучшей защитой от травм. В настоящем документе невозможно охватить все вероятные опасности, но мы постарались описать некоторые наиболее важные из них.

- Производить установку, регулировку и эксплуатацию данного механизированного инструмента разрешается только квалифицированному и обученному персоналу.
- Запрещается модифицировать данный инструмент и его принадлежности каким-либо образом.
- В случае повреждения данного инструмента его использование запрещено.

- Если этикетка с информацией о номинальной скорости, рабочем давлении или с предупреждающими об опасности знаками на корпусе инструмента стала неразборчивой или отклеилась, следует без промедления заменить ее.

### Дополнительная информация по технике безопасности:

- Другие документы и информация, находящиеся в упаковке с данным инструментом.
- Ваш работодатель, профсоюз и/или отраслевая ассоциация.
- Дополнительная информация по охране труда и технике безопасности представлена на следующих веб-сайтах:
  - <http://www.osha.gov> (США)
  - <https://osha.europa.eu/> (Европа)

### Опасности, связанные с подсоединением и подачей сжатого воздуха

- Воздух под давлением может вызвать серьезную травму.
- Когда инструмент не используется, а также перед заменой его принадлежностей или при проведении ремонтных работ, обязательно отключите подачу сжатого воздуха, сбросьте давление воздуха в шланге и отсоедините инструмент от линии подачи сжатого воздуха.
- Запрещается направлять поток воздуха на себя или на кого-либо еще.
- Биение шлангов может привести к серьезной травме. Обязательно проверяйте шланги и фитинги на предмет повреждения или слабого закрепления.
- Не превышайте максимально допустимого значения давления воздуха 6,3 бара (90 фунтов на кв. дюйм, ман.) или значения, указанного на паспортной табличке инструмента.

### Опасность затягивания в устройство

- Избегайте вращающегося привода. При несоблюдении безопасной дистанции между волосами, свободной одеждой, перчатками, ювелирными украшениями, шарфами или галстуками и инструментом или его принадлежностями возможно удушение, вырывание волос и сдираание кожи с головы или получение рваных ран.

### Опасность вылета осколков

- Всегда надевайте ударопрочные средства защиты глаз и лица при непосредственном участии или нахождении рядом в процессе работы, ремонта или техобслуживания инструмента либо замены его принадлежностей.
- Убедитесь, что на всех остальных людях, находящихся в рабочей зоне, надеты ударопрочные средства защиты глаз и лица. Даже мелкие вылетевшие осколки могут повредить глаза и вызвать слепоту.
- Убедитесь, что обрабатываемая деталь надежно закреплена.

**Опасности при работе**

- Надежно зафиксируйте инструмент.
- Перед снятием обрабатываемой детали убедитесь, что инструмент полностью остановился.
- На устройстве, в которое встроены двигатель или моментный двигатель, обязательно должны быть установлены органы запуска, останова и аварийного останова.

**Опасности, вызываемые шумом**

- Высокие уровни шума могут вызвать постоянную потерю слуха и другие проблемы, например шум в ушах. Используйте средства защиты органов слуха, рекомендованные вашим работодателем или правилами охраны труда и техники безопасности.
- Чтобы предотвратить ненужное повышение уровней шума, эксплуатируйте и обслуживайте инструмент, а также подбирайте, обслуживайте и заменяйте его принадлежности и расходные материалы в соответствии с данным руководством.

**Опасности на рабочем месте**

- Подскользывание, спотыкание и падение являются основными причинами серьезных травм и смерти. Остерегайтесь избыточных частей шлангов, оставленных в зоне прохода или на рабочей площадке.
- Избегайте вдыхания пыли и паров или работы с обрезками, образовавшимися в ходе рабочего процесса, — они могут стать причиной возникновения заболеваний (таких как рак, врожденные пороки развития, астма и/или дерматит). При работе с материалами, выделяющими переносимые по воздуху частицы, используйте систему вытяжки пыли и надевайте средства защиты органов дыхания.
- Некоторые виды пыли, образующейся при пескоструйной обработке, пилении, шлифовании, сверлении и других строительных работах, содержат химические вещества, признанные в штате Калифорния веществами, вызывающими рак и врожденные пороки развития либо негативно влияющими на репродуктивную систему. Ниже перечислены некоторые из таких химических веществ:
  - свинец из красок на свинцовой основе;
  - кирпичи, цемент и другие стеновые изделия из кристаллического кремнезема;
  - мышьяк и хром из химически обработанного каучука (резины).

Ваш риск в отношении перечисленных воздействий меняется в зависимости от того, как часто вы выполняете данный вид работ. Чтобы уменьшить воздействие на вас указанных химических веществ, работайте в хорошо вентилируемом помещении с применением одобренных средств защиты, таких как пылезащитные маски, предназначенные специально для фильтрации микроскопических частиц.

- Соблюдайте осторожность при работе в незнакомом месте. Остерегайтесь потенциальных опасностей, создаваемых вашими рабочими действиями. Данный инструмент не защищен от контакта с источниками электроэнергии.

---

**НЕ ВЫБРАСЫВАТЬ! ПЕРЕДАТЬ ПОЛЬЗОВАТЕЛЮ!**

---

**Знаки и наклейки**

На данном изделии имеются знаки и наклейки, содержащие важную информацию по технике безопасности и техобслуживанию изделия. Знаки и наклейки должны всегда оставаться разборчивыми. Новые знаки и наклейки можно заказать по перечню запчастей.



s011050

**Информация по сертификации ATEX****Температуры**

- Максимальная температура окружающей среды, для которой действительна данная сертификация, составляет 40°C.
- 40°C также является максимально допустимой температурой сжатого воздуха на входе устройства.
- Если устройство устанавливается на оборудование, то все оборудование должно соответствовать директиве 2014/34/ЕС.
- Убедитесь, что сжатый воздух удовлетворяет нашим требованиям по качеству (классы качества 2.4.3 и 3.4.4 соответственно, 3.5.4 по стандарту ISO/DIS 8573-1:2010).
- Не превышайте максимально допустимого значения давления 6,3 бара или значения, указанного на паспортной табличке изделия. Превышение рабочего давления может привести к повышению температуры поверхности из-за более высокой скорости вращения, в результате чего изделие может стать источником возгорания.

**Классификация Ex**

Если данное изделие входит в состав сборочного узла, компоненты которого имеют различные коды классификации Ex, то код классификации Ex всего узла определяется компонентом с наименьшей степенью безопасности.

**Рекомендации по взрывобезопасности****Чистота**

- Необходимо регулярно очищать изделие от пыли и грязи, чтобы предотвратить повышение температуры подшипников и поверхности.

- Если используется глушитель. Убедитесь, что установлен глушитель с эффектом фильтрации на выходе воздуха для предотвращения выпуска нагретых в результате трения частиц в окружающую атмосферу.

### Использование

- Убедитесь, что изделие заземлено на цеховую систему уравнивания потенциалов, например с помощью таких принадлежностей, как шланги и пневматические соединения.
- Пользователь несет ответственность за обеспечение соответствия изделия и всех его возможных принадлежностей, таких как гаечные ключи и пневматические соединения, государственным нормам техники безопасности для оборудования, используемого в потенциально взрывоопасных зонах.

### Расшифровка кода ATEX

#### Код ATEX:



Ex II 2 G Ex h IIC T6 Gb  
 Ex II 2 D Ex h IIC T85°C Db  
 <meta-ref type="dynamic" name="AC.ITBA.RPD.se.atlas-copco.ATEX\_code">[RPD ATEX code]</meta-ref> °C ≤ Ta ≤ 40 °C

Описание	Значение	Расшифровка
Группа оборудования	<b>II</b>	Оборудование для работы на поверхности
Категория оборудования	<b>2</b>	Высокая степень защиты
Группа II		<ul style="list-style-type: none"> <li>• зона 1 (газ)</li> <li>• зона 2 (газ)</li> <li>• зона 21 (пыль)</li> <li>• зона 22 (пыль)</li> </ul>
Атмосфера	<b>G</b>	Атмосфера, содержащая газ, пары или туман
	<b>D</b>	Атмосфера, содержащая пыль
Проектирование с учетом безопасности	<b>h</b>	Механическое изделие
Газовая группа	<b>IIC</b>	Водород / ацетилен
	<b>IIB</b>	Этилен
Пылевая группа	<b>IIC</b>	Поверхностная горячая пыль

Описание	Значение	Расшифровка
Макс. температура поверхности в газовой атмосфере		<b>T1</b> = 450 °C
		<b>T2</b> = 300 °C
		<b>T3</b> = 200 °C
		<b>T4</b> = 135 °C
		<b>T5</b> = 100 °C
		<b>T6</b> = 85 °C
Макс. температура поверхности в пылевой атмосфере		Примеры значений температуры:
		T85 °C
		T110 °C
		T120 °C
		T125 °C
	T240 °C	
Особое ограничение, например, диапазон температуры окружающей среды.	<b>X</b>	

### Полезные сведения

#### Веб-сайт

Выполните вход в систему Atlas Copco:  
[www.atlascopco.com](http://www.atlascopco.com).

На нашем веб-сайте вы можете найти информацию о наших изделиях, принадлежностях, запасных частях, а также печатные материалы.

#### Страна происхождения

См. информацию на этикетке изделия.

#### Гарантия

- Срок действия гарантии на изделие истекает через 12 месяцев после его первого использования, но в любом случае не позднее 13 месяцев после доставки.
- Гарантия не распространяется на нормальный износ деталей.
  - Нормальным называется износ, требующий замены детали или другой регулировки/переборки во время обычного технического обслуживания инструментов для данного периода (выраженного в единицах времени, часах работы или иным образом).
- Гарантия на изделие действует при условии, что эксплуатация, техническое обслуживание и ремонт инструмента и его компонентов осуществляются правильно.
- На повреждение деталей в результате технического обслуживания, выполненного ненадлежащим образом или силами иных лиц, кроме представителей

компания Atlas Copco или ее сертифицированных партнеров по обслуживанию, в течение гарантийного срока, действие гарантии не распространяется.

- Во избежание повреждения или разрушения деталей инструмента, ремонтное обслуживание инструмента должно проводиться в соответствии с рекомендованными графиками технического обслуживания с соблюдением правильных инструкций.
- Гарантийный ремонт осуществляется только в сервисных мастерских Atlas Copco или силами сертифицированных партнеров по обслуживанию.

предлагает расширенную гарантию и самое современное профилактическое техобслуживание в рамках договоров Atlas Copco ToolCover. Для получения дополнительной информации обратитесь к местному представителю по обслуживанию.

Для электродвигателей:

- Гарантия действует только в том случае, если электродвигатель не вскрывался.

### Программа ServAid

ServAid – это портал технической информации по всему оборудованию и программному обеспечению, например:

- информация о нормативных требованиях и технике безопасности;
- технические данные;
- инструкций по установке, эксплуатации и техобслуживанию;
- перечни запасных частей;
- принадлежности.

ServAid постоянно обновляется и доступен по адресу: <https://servaid.atlascopco.com>

Для получения дополнительной информации обратитесь к местному представителю компании Atlas Copco.

### Паспорта безопасности (MSDS / SDS)

В паспортах безопасности описаны химические продукты, продаваемые компанией Atlas Copco.

Более подробная информация представлена на веб-сайте: [www.atlascopco.com/sds](http://www.atlascopco.com/sds)

## Dane techniczne

### Dane techniczne

Nr zamówienia	8411033965
Model	LZB34-RL-AR005-11
Zużycie powietrza przy prędkości obrotowej bez obciążenia	l/s
Zużycie powietrza przy prędkości obrotowej bez obciążenia	cfm

Zużycie powietrza przy maks. mocy wyjściowej	7.9 l/s
Zużycie powietrza przy maks. mocy wyjściowej	16.8 cfm
Moment hamujący	Nm
Moment hamujący	ft lb
Wbudowany hamulec	No
Materiał elementów zewnętrznych	Stainless steel
Prędkość obrotowa bez obciążenia	450 obr./min
Maks. moc wyjściowa	0.25 kW
Maks. moc wyjściowa	0.34 hp
Min. moment rozruchowy	12.6 Nm
Min. moment rozruchowy	9.3 ft lb
Przełożenie	
Kierunek obrotów	Reversible
Kod obciążenia wałka	c
Typ wałka	Keyed
Prędkość obrotowa przy maks. mocy wyjściowej	240 obr./min
Moment utyku	19.6 Nm
Moment utyku	14.5 ft lb
Moment obrotowy przy maks. mocy wyjściowej	9.8 Nm
Moment obrotowy przy maks. mocy wyjściowej	7.2 ft lb
Typ łopatek	Lubrication free
Masa	1.2 kg
Masa	2.65 lb
Wąż wlotowy	10 mm
Wąż wlotowy	0.4 cala
Stopień ochrony przed wnikaniem	IP66/IP68/IP69
Wąż wylotowy	10 mm
Wąż wylotowy	0.4 cala
Stopień ochrony IP	IP66/IP68/IP69

### Stopień ochrony IP

Stopień ochrony IP silników pneumatycznych dotyczy obudów zgodnych z normą IEC 60529. Stopień ochrony IP nie obejmuje odporności na korozję ani płyny inne niż czysta słodka woda.

## Deklaracje

### DEKLARACJA WŁĄCZENIA UE MASZYNY NIEUKOŃCZONEJ

Firma **Atlas Copco Industrial Technique AB**, SE-105 23 STOCKHOLM SWEDEN, oświadcza na swoją wyłączną odpowiedzialność, że produkt ten (którego nazwę, typ i numer seryjny podano na stronie tytułowej) jest zgodny z zasadniczymi wymaganiami dyrektywy maszynowej 2006/42/WE:

2006/42/EC (Annex I, clauses 1.1, 1.2 (excluding 1.2.4.3), 1.3, 1.4, 1.5, 1.6, 1.7)

Oraz że ta częściowo ukończona maszyna jest zgodna z postanowieniami następujących dyrektyw unijnych: 2014/34/EU (ATEX)

Tego częściowo ukończonego produktu nie należy oddawać do eksploatacji, dopóki urządzenie końcowe, w którym ten produkt zostanie wmontowany, nie uzyska zgodności z postanowieniami dyrektywy maszynowej 2006/42/WE, tam gdzie jest to stosowne.

Zastosowanie mają następujące (części/klauzule) europejskich norm zharmonizowanych:

EN 1127-1:2019, EN ISO 12100:2010, EN ISO 80079-36:2016, EN ISO 80079-37:2016

Odnosna dokumentacja techniczna została zgłoszona zgodnie z częścią B załącznika VII do dyrektywy 2006/42/WE oraz artykułu 13 (1) b ii dyrektywy ATEX 2014/34/UE w jednostce notyfikowanej ExVeritas ApS (nr identyfikacyjny w UE: 2804) w Danii. Władze mogą zażądać dokumentacji technicznej dotyczącej dyrektywy ATEX 2014/34/UE w formie drukowanej od:

<https://www.exveritas.com/2022/02/02/what-you-need-for-atex-and-ukca-explosive-atmosphere-certification-for-the-uk-and-eu-markets/>

Stockholm, 1 September 2023

**Håkan Andersson, Managing Director**

Podpis osoby zatwierdzającej



### wymagania regionalne

#### **⚠️ OSTRZEŻENIE**

Ten produkt może narazić użytkownika na kontakt z chemikaliami, między innymi ołowiem, który wg władz stanu Kalifornia powoduje raka, wady wrodzone i upośledzenie płodności. Więcej informacji podano w witrynie [www.P65Warnings.ca.gov](http://www.P65Warnings.ca.gov)

### Informacje dotyczące artykułu 33 rozporządzenia REACH

Rozporządzenie Unii Europejskiej (UE) nr 1907/2006 w sprawie rejestracji, oceny, udzielania zezwoleń i stosowanych ograniczeń w zakresie chemikaliów (REACH) definiuje między innymi wymagania dotyczące komunikacji w łańcuchu dostaw. Wymóg informacyjny ma zastosowanie do produktów zawierających tak zwane substancje stanowiące bardzo duże zagrożenie (lista kandydacka). 27 czerwca 2018 do listy kandydackiej dodano ołów (CAS nr 7439-92-1).

W związku z powyższym niniejszy dokument służy poinformowaniu, że niektóre podzespoły mechaniczne produktu mogą zawierać ołów. Jest zgodny z obowiązującymi przepisami dotyczącymi substancji zakazanych i został opracowany w oparciu o zatwierdzone wyłączenia w dyrektywie

RoHS (2011/65/UE). Ołów nie będzie wyciekał z produktu ani zmieniał formy podczas normalnej eksploatacji i jego stężenie w całym produkcie jest znacznie niższe niż obowiązująca wartość graniczna. Należy przestrzegać lokalnych wymagań dotyczących utylizacji ołowiu po upływie okresu eksploatacji produktu.

## Bezpieczeństwo

### **⚠️ OSTRZEŻENIE Ryzyko wystąpienia szkód materialnych lub poważnych obrażeń ciała.**

Przed rozpoczęciem użytkowania narzędzia należy przeczytać ze zrozumieniem wszystkie instrukcje, a następnie postępować zgodnie z nimi. Nieprzestrzeganie wszystkich instrukcji może spowodować porażenie prądem elektrycznym, pożar, szkody materialne i/lub poważne obrażenia ciała.

- ▶ Należy przeczytać wszystkie informacje dotyczące bezpieczeństwa dostarczone wraz z różnymi częściami systemu.
- ▶ Należy przeczytać wszystkie instrukcje dotyczące instalowania, obsługi i konserwacji różnych części systemu.
- ▶ Należy przeczytać wszystkie obowiązujące lokalnie przepisy bezpieczeństwa dotyczące systemu i jego części.
- ▶ Wszystkie informacje i instrukcje dotyczące bezpieczeństwa należy zachować do wykorzystania w przyszłości.

### Oświadczenie o przeznaczeniu

Niniejszy silnik jest przeznaczony do zamontowania w stałym lub ruchomym narzędziu. Może on być przeznaczony tylko do obrotów w prawo, tylko do obrotów w lewo lub do obrotów w obu kierunkach i powinien być montowany wyłącznie za pośrednictwem kołnierza lub gwintowanej głowicy, stosownie do wymagań. Używanie do innych celów jest niedozwolone. Wyłącznie do użytku profesjonalnego.

Niebezpieczeństwo tego, że silniki mogą stać się źródłem zapłonu w atmosferze potencjalnie wybuchowej jest niezwykle małe. Użytkownik jest odpowiedzialny za dokonanie oceny zagrożeń związanych z całym narzędziem, w którym ma być zamontowany silnik.

## Instrukcje dotyczące produktu

### Ostrzeżenie

#### ⚠ OSTRZEŻENIE Zagrożenia wynikające z zastosowania polimerów

Łopatki w tym produkcie zawierają PTFE (politetrafluoroetylen). Z powodu zużycia mechanicznego, cząsteczki PTFE mogą znajdować się wewnątrz produktu. W przypadku podgrzania PTFE może wytwarzać opary, które mogą spowodować tzw. gorączkę fluoro-polimerową o objawach podobnych do objawów grypy, szczególnie w przypadku palenia zanieczyszczonego tytoniu.

Podczas obsługi łopatek i innych elementów należy przestrzegać następujących zaleceń BHP dotyczących kontaktu z politetrafluoroetylenem:

- ▶ Nie palić tytoniu podczas obsługi technicznej produktu.
- ▶ Nie dopuszczać do kontaktu cząsteczek PTFE z otwartym ogniem, żarem lub wysoką temperaturą.
- ▶ Elementy silnika należy myć środkiem czyszczącym, nie zaś czyścić sprężonym powietrzem.
- ▶ Przed rozpoczęciem jakichkolwiek innych czynności należy umyć ręce.

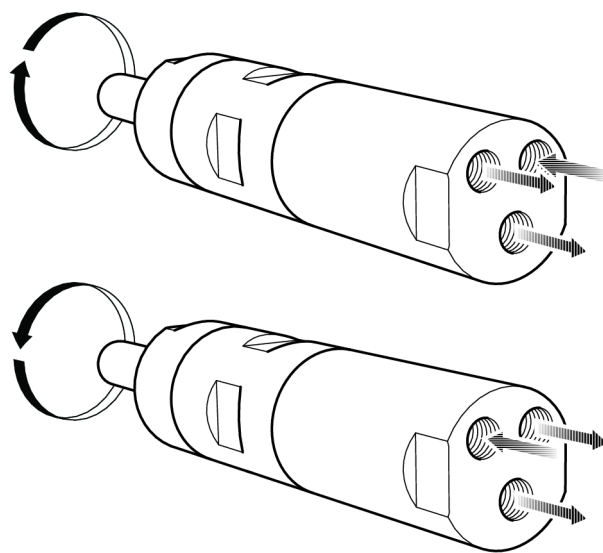
### Stopień ochrony IP

Stopień ochrony IP silników pneumatycznych jest określany w stanie pod ciśnieniem i nie obejmuje wylotu ani dołączonego tłumika. Jeśli silnik będzie pracować w zanurzeniu lub będzie narażony na działanie silnych strumieni wody, zaleca się podłączyć wąż i skierować wylot poza źródło wody. W zanurzeniu silnik powinien być zawsze pod ciśnieniem, a jego wartość powinna być wyższa niż głębokość, na której się znajduje.

### Podłączenie dopływu powietrza

Po podłączeniu dopływu sprężonego powietrza do wlotu, kierunek obrotów będzie taki, jak pokazano na poniższym rysunku. Jeżeli powietrze wywiewane ma być odprowadzane, wąż powinien być podłączony do otworu wylotowego.

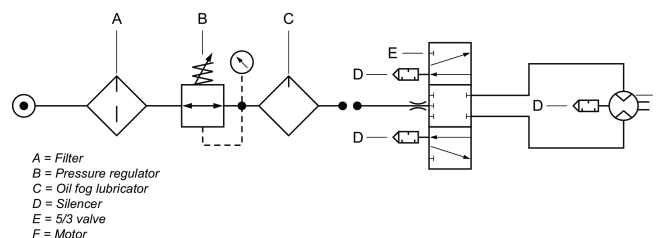
Dopływ sprężonego powietrza należy podłączyć do odpowiedniego wlotu, który zapewnia żądany kierunek obrotów, patrz poniższy rysunek. Niewykorzystywany wlot pełni rolę dodatkowego wylotu, dlatego nie wolno go zaślepić.



s015473

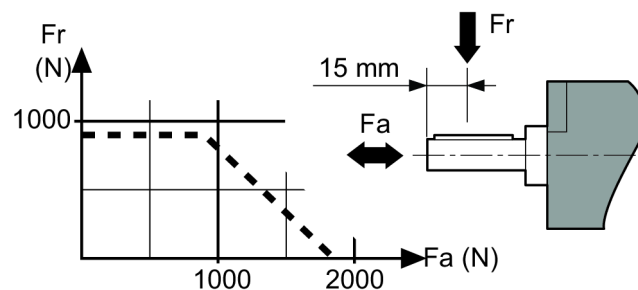
### Schemat montażowy

Silnik nawrotny



401675

### Wykres obciążenia wałka

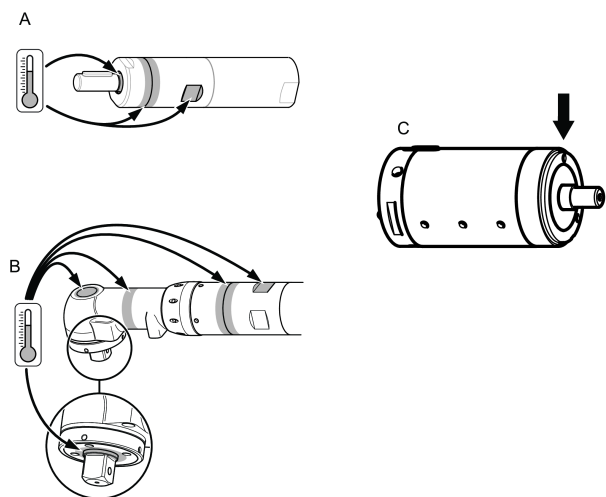


8000345

### Gorące punkty

Wymienione poniżej elementy silnika mogą osiągnąć wysokie temperatury podczas pracy: Obraz przedstawia rozgrzewające się elementy określonych modeli:

- Pierścień uszczelniający na wałku wyjściowym (A, B, C)
- Połączenie między częścią przednią i wieńcem zębatym (A, B)
- Uchwyt zaciskany kluczem (A, B)



Najwyższe temperatury występują, gdy silnik działa przy maksymalnym ciśnieniu bez obciążenia. Wraz ze wzrostem momentu obrotowego silnik pneumatyczny obniża prędkość obrotową i temperaturę.

### Ostrzeżenie

Przed użyciem silnika należy zaznajomić się z instrukcjami dotyczącymi jego obsługi.

Silnika, jego osprzętu i akcesoriów można używać wyłącznie w celach, do których zostały przeznaczone.

Z przyczyn odpowiedzialności za skutki wad produktu oraz z przyczyn bezpieczeństwa wszelkie modyfikacje silnika lub jego wyposażenia dodatkowego, które mogłyby mieć wpływ na odpowiedzialność za skutki wad produktu, można przeprowadzać wyłącznie za aprobatą techniczną producenta.

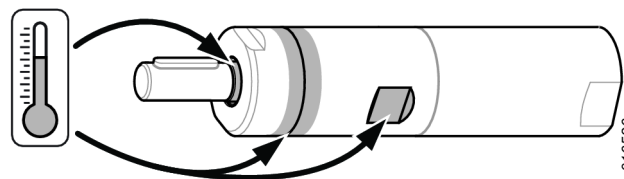
**W celu zapobieżenia obrażeniom osób oraz niebezpieczeństwom długoterminowym należy przedsięwziąć następujące środki:**

- Jeśli silnik posiada certyfikację ATEX, w przyłączach wylotowych silnika należy zamontować filtry/tłumiki. Użycie tłumików zaleca się również w innych zastosowaniach w celu zmniejszenia hałasu.
- Odłączyć silnik od przewodu pneumatycznego przed przystąpieniem do wykonywania jakichkolwiek regulacji.
- **Zwracać uwagę na dłonie, włosy i odzież - zawsze trzymać je z dala od wirujących części.**

### Konserwacja

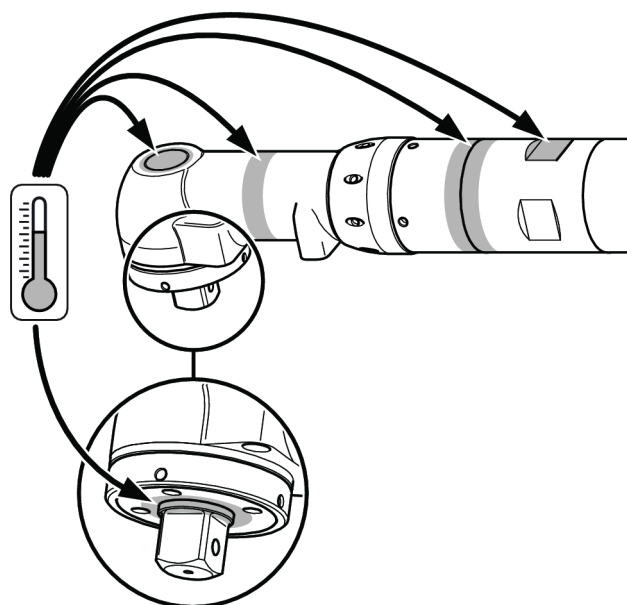
- Konserwacja i naprawy niniejszego produktu spełniającego wymogi dyrektyw ATEX muszą być przeprowadzane wyłącznie przez autoryzowany personel. Po zakończeniu prac konserwacyjnych i naprawczych należy przeprowadzić próbę bez obciążenia i dokonać pomiarów temperatury gorących punktów (pokazanych na rysunku). Wyniki pomiarów muszą zostać zapisane w protokole.

Po przeprowadzeniu 5-minutowej próby bez obciążenia temperatura powierzchniowa nie może w żadnym wypadku przekraczać sumy  $45^{\circ}\text{C}$  + temperatura otoczenia, gdzie temperatura otoczenia może zmieniać się w zakresie  $0 - 40^{\circ}\text{C}$ .



s0716536

1002098507



s07165534

### Ogólne instrukcje bezpieczeństwa

Aby zmniejszyć zagrożenie wystąpienia obrażeń, wszystkie osoby korzystające z tego narzędzia, wykonujące jego instalację, naprawy, przeglądy, a także osoby wymieniające jego elementy lub pracujące w jego pobliżu, powinny przed przystąpieniem do tych czynności przeczytać i zrozumieć niniejsze instrukcje.

Naszym celem jest produkowanie narzędzi, które pomagają użytkownikowi pracować bezpiecznie i wydajnie. Najważniejszym „urządzeniem zabezpieczającym” jest osoba obsługująca narzędzie. Wykazywana przez operatora ostrożność i prawidłowa ocena sytuacji są najlepszą ochroną przed odniesieniem obrażeń ciała. Nie ma możliwości opisanie w niniejszej instrukcji wszystkich możliwych zagrożeń, lecz jej autorzy starali się uwzględnić najważniejsze z nich.

- Niniejsze narzędzie mechaniczne powinno być instalowane, regulowane i użytkowane wyłącznie przez wykwalifikowanych i przeszkolonych operatorów.
- Niniejszego narzędzia ani jego akcesoriów nie wolno w żaden sposób modyfikować.
- Nie wolno używać uszkodzonego narzędzia.
- Jeśli etykiety określające prędkość znamionową, ciśnienie robocze lub ostrzegające przed niebezpieczeństwem przestaną być czytelne lub odpadną, należy je niezwłocznie wymienić.

### **i** Dodatkowych informacji dotyczących bezpieczeństwa prosimy szukać:

- W innych dokumentach i informatorach zapakowanych wraz z niniejszym narzędziem.
- U pracodawcy lub w odpowiednim stowarzyszeniu, bądź organizacji zawodowej.
- Więcej informacji na temat bezpieczeństwa i higieny pracy można uzyskać z następujących witryn:
  - <http://www.osha.gov> (USA)
  - <https://osha.europa.eu/> (Europa)

### Zagrożenia związane z podłączaniem do źródła sprężonego powietrza

- Powietrze pod ciśnieniem może spowodować poważne obrażenia.
- W przypadku nieużywania narzędzia lub przed przystąpieniem do zmiany akcesoriów bądź do wykonania naprawy należy zawsze odciąć dopływ sprężonego powietrza, usunąć ciśnienie z przewodu elastycznego oraz odłączyć narzędzie od źródła sprężonego powietrza.
- Nie wolno kierować sprężonego powietrza na siebie lub inną osobę.
- Przewody wprawione w nagły ruch przez wydostające się sprężone powietrze mogą spowodować poważne obrażenia. Zawsze należy sprawdzać, czy przewód i połączenia nie są uszkodzone lub obłuzowane.
- Nie wolno przekraczać maksymalnej wartości ciśnienia powietrza wynoszącej 6,3 bara (90 psig) lub wartości podanej na tabliczce znamionowej narzędzia.

### Niebezpieczeństwo pochwylenia

- Zachować odstęp od obracającego się zespołu napędowego. Pochwylenie luźnej odzieży, rękawic, biżuterii, krawatów bądź apaszek oraz włosów przez narzędzie lub jego akcesoria grozi uduszeniem, oskałpowaniem i/lub zranieniem.

### Niebezpieczeństwo zranienia odłamkami

- Podczas posługiwania się narzędziem, a także podczas naprawy lub konserwacji narzędzia bądź w trakcie wymiany jego akcesoriów należy zawsze nosić odporne na uderzenia okulary ochronne i osłonę twarzy.
- Należy również zadbać o to, aby inne znajdujące się w pobliżu osoby nosiły okulary ochronne i osłonę twarzy. Nawet małe odłamki mogą uszkodzić oczy i spowodować ślepotę.
- Upewnić się, że obrabiany przedmiot jest pewnie zamocowany.

### Zagrożenia występujące podczas pracy z narzędziami

- Prawidłowo zamocować narzędzie.
- Przed wyjęciem obrabianego przedmiotu należy poczekać, aż narzędzie zatrzyma się całkowicie.
- Narzędzie, w którym zamontowany jest silnik/silnik momentowy, musi być zawsze wyposażone we włącznik, wyłącznik i wyłącznik awaryjny.

### Zagrożenie hałasem

- Wysokie poziomy hałasu mogą spowodować trwałą utratę słuchu i inne problemy, takie jak szum w uszach. Należy stosować ochronniki słuchu zalecane przez pracodawcę lub przepisy bezpieczeństwa i higieny pracy.
- Aby zapobiec występowaniu nadmiernego wzrostu poziomu hałasu, należy użytkować i konserwować narzędzie, a także dobierać, konserwować i wymieniać akcesoria oraz materiały eksploatacyjne zgodnie ze wskazówkami zamieszczonymi w niniejszej instrukcji obsługi.

### Zagrożenia związane z miejscem pracy

- Główną przyczyną poważnych obrażeń lub śmierci jest poślizgnięcie/wywrócenie/upadek. Należy uważać na luźne przewody elastyczne pozostawione na przejściach lub na powierzchniach roboczych.
- Unikać wdychania pyłu lub dymów, a także kontaktu z opiłkami powstającymi w trakcie pracy, gdyż może to spowodować zły stan zdrowia (na przykład przyczynić się do powstania nowotworów, wad wrodzonych, astmy i/lub zapalenia skóry). W przypadku obróbki materiałów powodujących duże zapylenie należy stosować urządzenia odpylające oraz sprzęt ochrony dróg oddechowych.
- W skład niektórych rodzajów pyłu powstającego podczas polerowania, piłowania, szlifowania, wiercenia i innych operacji wchodzi substancje chemiczne, które — zgodnie z wiedzą posiadaną przez władze stanu Kalifornia — mogą powodować nowotwory, wady wrodzone lub inne problemy związane z rozrodczością. Przykładem takich substancji są między innymi:
  - ołów pochodzący z farb ołowiowych,
  - cegły silikatowe i cement oraz inne produkty murarskie,
  - arsen i chrom pochodzące z chemicznie przetwarzanej gumy.

Zagrożenia związane z oddziaływaniem tych substancji zależą od częstotliwości wykonywania tego rodzaju pracy. Aby zmniejszyć narażenie na oddziaływanie tych substancji chemicznych, należy: pracować w dobrze wentylowanych miejscach i używać atestowanego wyposażenia ochronnego, np. masek przeciwpyłowych przeznaczonych do zatrzymywania mikroskopijnych cząsteczek.

- Należy zachować ostrożność w nieznanym otoczeniu. Należy mieć świadomość istnienia potencjalnych zagrożeń powodowanych przez wykonywane prace. Niniejsze narzędzie nie ma izolacji zabezpieczającej przed zetknięciem ze źródłami energii elektrycznej.

---

### NIE WYRZUCAĆ — PRZEKAZAĆ UŻYTKOWNIKOWI

---

### Znaki i naklejki

Na produkcie umieszczone są znaki i naklejki zawierające ważne informacje dotyczące bezpieczeństwa ludzi i konserwacji produktu. Znaki i naklejki powinny być zawsze czytelne. Nowe znaki i naklejki można zamówić, korzystając z listy części zamiennych.



s011050

## Informacja o certyfikacji ATEX

### Temperatury

- Maksymalna temperatura otoczenia, przy której jest ważny niniejszy certyfikat, wynosi 40°C.
- 40°C to również maksymalna dopuszczalna temperatura sprężonego powietrza na wlocie do produktu.
- Jeśli produkt zostanie zamontowany w jakimś urządzeniu, całe urządzenie musi spełniać wymagania dyrektywy 2014/34/UE.
- Należy zwrócić uwagę na to, aby sprężone powietrze spełniało nasze wymagania jakościowe (klasy jakości odpowiednio 2.4.3 i 3.4.4 względnie 3.5.4 wg normy ISO/DIS 8573-1:2010).
- Nie wolno przekraczać maksymalnej wartości ciśnienia wynoszącej 6,3 bara lub wartości podanej na tabliczce znamionowej produktu. Przekroczenie ciśnienia roboczego może spowodować wzrost temperatury powierzchniowej z powodu wyższej prędkości obrotowej, w wyniku czego produkt może stać się źródłem zapłonu.

### Klasyfikacja Ex

Jeśli produkt jest częścią zespołu, którego elementy różnią się pod względem klasyfikacji Ex, klasyfikacja Ex całego zespołu określana jest na podstawie elementu o najniższym poziomie bezpieczeństwa.

### Wytyczne w zakresie zapobiegania wybuchom

#### Czystość

- Produkt należy utrzymywać w stanie wolnym od pyłu i brudu, aby zapobiec wzrostowi temperatury łożysk i powierzchni obudowy.
- W przypadku używania tłumika hałasu: Należy pamiętać o zamontowaniu na wylocie powietrza tłumika hałasu z filtrem, aby zapobiec wydostawaniu się rozgrzanych w wyniku tarcia cząstek do otaczającego powietrza.

#### Użytkowanie

- Produkt musi być uziemiony do układu przewodów wyrównawczych w warsztacie, na przykład za pośrednictwem elementów takich jak węże i złącza pneumatyczne.
- Użytkownik ponosi odpowiedzialność za zgodność produktu oraz wszystkich dostępnych akcesoriów, takich jak klucze i złącza pneumatyczne, z obowiązującymi krajowymi przepisami bezpieczeństwa dotyczącymi wyposażenia używanego na obszarach zagrożonych wybuchem.

### Definicja kodu ATEX

Kod ATEX ma następującą postać:



Ex II 2 G Ex h IIC T6 Gb

Ex II 2 D Ex h IIIC T85°C Db

$^{\circ}\text{C} \leq \text{Ta} \leq 40^{\circ}\text{C}$

Opis	Wartość	Definicja
Grupa sprzętu	<b>II</b>	Przemysł napowierzchniowy
Kategoria sprzętu	<b>2</b>	Wysoki poziom ochrony
<b>Grupa II</b>		<ul style="list-style-type: none"> <li>• strefa 1 (gaz)</li> <li>• strefa 2 (gaz)</li> <li>• strefa 21 (pył)</li> <li>• strefa 22 (pył)</li> </ul>
Atmosfera	<b>G</b>	Atmosfera zawierająca gaz, opary lub mgłę
	<b>D</b>	Atmosfera zawierająca pył
Konstrukcja zabezpieczająca	<b>h</b>	Produkt mechaniczny
Grupa gazowa	<b>IIC</b>	Wodór/acetylen
	<b>IIB</b>	Etylen
Grupa pyłu	<b>IIIC</b>	Pył palny powierzchniowo
Maks. temperatura powierzchniowa w atmosferze gazowej		<b>T1</b> = 450°C <b>T2</b> = 300°C <b>T3</b> = 200°C <b>T4</b> = 135°C <b>T5</b> = 100°C <b>T6</b> = 85°C
Maks. temperatura powierzchniowa w atmosferze pyłowej		Przykładowe temperatury: <b>T85</b> °C <b>T110</b> °C <b>T120</b> °C <b>T125</b> °C <b>T240</b> °C
Szczególne ograniczenie, na przykład zakres temperatur otoczenia.	<b>X</b>	

### Przydatne informacje

#### Strona internetowa

Logowanie do Atlas Copco: [www.atlascopco.com](http://www.atlascopco.com).

Na naszej stronie WWW można znaleźć informacje dotyczące naszych produktów, akcesoriów, części zamiennych i publikacji.

### Kraj pochodzenia

Patrz informacje podane na etykiecie produktu.

### Gwarancja

- Gwarancja udzielona na produkt wygasa po upływie 12 miesięcy od daty pierwszego użycia produktu, ale w każdym przypadku najpóźniej po upływie 13 miesięcy od daty dostawy.
- Gwarancją nie jest objęte normalne zużycie eksploatacyjne części.
  - Normalnym zużyciem eksploatacyjnym jest zużycie wymagające wymiany części lub innych regulacji/przebiegów podczas standardowej obsługi konserwacyjnej narzędzi, przeprowadzanej po upływie określonego okresu (wyrażonego upływem czasu, godzinami pracy lub w inny sposób).
- Gwarancja udzielana na produkt jest uzależniona od prawidłowego użytkowania, konserwacji i napraw narzędzia oraz jego części składowych.
- Uszkodzenia części powstałe w okresie gwarancyjnym w wyniku konserwacji wykonywanej nieprawidłowo lub konserwacji wykonywanej przez strony trzecie, inne niż firma Atlas Copco lub jej autoryzowani partnerzy serwisowi, nie są objęte gwarancją.
- Aby uniknąć uszkodzenia lub zniszczenia części narzędzia, obsługę serwisową narzędzia należy przeprowadzać zgodnie z zalecanymi harmonogramami konserwacji i przestrzegać właściwych instrukcji.
- Naprawy gwarancyjne są wykonywane wyłącznie w warsztatach firmy Atlas Copco lub przez autoryzowanych partnerów serwisowych.

Firma Atlas Copco oferuje wydłużoną gwarancję i najdoskonalszą konserwację prewencyjną za pośrednictwem umów serwisowych ToolCover. W celu uzyskania dodatkowych informacji należy skontaktować się z lokalnym przedstawicielem serwisowym.

Dotyczy silników elektrycznych:

- Gwarancja będzie obowiązywać tylko w przypadku, gdy obudowa silnika elektrycznego nie została otwarta.

### ServAid

ServAid jest portalem zawierającym informacje techniczne dotyczące wszystkich produktów sprzętowych i oprogramowania, takie jak:

- Informacje prawne i dotyczące bezpieczeństwa
- Dane techniczne
- instalowania, obsługi oraz instrukcji serwisowych
- Listy części zamiennych
- Akcesoria

Portal ServAid jest stale aktualizowany i jest dostępny pod adresem: <https://servaid.atlascopco.com>

W celu uzyskania dodatkowych informacji należy skontaktować się z lokalnym przedstawicielem firmy Atlas Copco.

### Karty charakterystyki substancji niebezpiecznych MSDS/SDS

Karty charakterystyki substancji niebezpiecznych opisują produkty chemiczne sprzedawane przez firmę Atlas Copco.

Więcej informacji można znaleźć na stronie internetowej:

[www.atlascopco.com/sds](http://www.atlascopco.com/sds)

### Technické údaje

#### Technické údaje

Objednávacie č.	8411033965
Model	LZB34-RL-AR005-11
Spotreba vzduchu pri rýchlosti pri voľnobehu	l/s
Spotreba vzduchu pri rýchlosti pri voľnobehu	cfm
Spotreba vzduchu pri max. výstupe	7.9 l/s
Spotreba vzduchu pri max. výstupe	16.8 cfm
Brzdny moment	Nm
Brzdny moment	ft lb
Zabudovaná brzda	No
Materiál externých dielov	Stainless steel
Rýchlosť pri voľnobehu	450 ot./min
Max. výstup	0.25 kW
Max. výstup	0.34 hp
Min. počiatočný moment	12.6 Nm
Min. počiatočný moment	9.3 ft lb
Pomer	
Smer otáčania	Reversible
Kód zaťaženia hriadeľa	c
Typ hriadeľa	Keyed
Rýchlosť pri max. výstupe	240 ot./min
Korunkový moment	19.6 Nm
Korunkový moment	14.5 ft lb
Moment pri max. výstupe	9.8 Nm
Moment pri max. výstupe	7.2 ft lb
Typ lopatky	Lubrication free
Hmotnosť	1.2 kg
Hmotnosť	2.65 lb
Vstupná hadica	10 mm
Vstupná hadica	0.4 in
Hodnotenie ochrany proti vniknutiu vody	IP66/IP68/IP69
Výstupná hadica	10 mm
Výstupná hadica	0.4 in
Hodnotenie IP	IP66/IP68/IP69

## Hodnotenie IP

Hodnotenie IP vzduchových motorov odkazuje na mechanické puzdro podľa normy IEC 60529. Hodnotenie IP nezahŕňa odolnosť proti korózii ani žiadne iné kvapaliny okrem čistej čerstvej vody.

## Vyhlásenia

### EÚ VYHLÁSENIE O ZAČLENENÍ

My, Atlas Copco Industrial Technique AB, SE-105 23 STOCKHOLM SWEDEN, vyhlasujeme na našu výhradnú zodpovednosť, že tento výrobok (s názvom, typovým a výrobným číslom, pozri prednú stranu) spĺňa nasledujúce základné požiadavky smernice o strojových zariadeniach 2006/42/ES:

2006/42/EC (Annex I, clauses 1.1, 1.2 (excluding 1.2.4.3), 1.3, 1.4, 1.5, 1.6, 1.7)

A že toto čiastočne skompletizované strojové zariadenie je v zhode s ustanoveniami nasledujúcej ďalšej smernice/smerníc EÚ:

2014/34/EU (ATEX)

Toto čiastočne skompletizované strojové zariadenie nesmie byť uvedené do prevádzky, kým nebude konečné strojové zariadenie, do ktorého má byť toto strojové zariadenie začlenené, vyhlásené, že je v zhode s ustanoveniami smernice o strojových zariadeniach 2006/42/ES tam, kde je to vhodné.

Uplatnené boli nasledujúce (časti/doložky) európskych harmonizovaných noriem:

EN 1127-1:2019, EN ISO 12100:2010, EN ISO 80079-36:2016, EN ISO 80079-37:2016

Príslušná technická dokumentácia bola zostavená a odkomunikovaná v zhode so smernicou o strojových zariadeniach 2006/42/ES časť B prílohy VII a smernicou ATEX 2014/34/EÚ článok 13 (1) b) ii v notifikovanej osobe ExVeritas ApS (EÚ identifikačné číslo 2804) v Dánsku. Orgány si môžu vyžiadať technický spis pre smernicu ATEX 2014/34/EÚ v papierovej forme od:

<https://www.exveritas.com/2022/02/02/what-you-need-for-atex-and-ukca-explosive-atmosphere-certification-for-the-uk-and-eu-markets/>

Stockholm, 1 September 2023

**Håkan Andersson, Managing Director**

Podpis emitenta



## regionálne požiadavky

### ⚠ VAROVANIE

Pri používaní tohto výrobku môžete byť vystavení chemikáliám vrátane olova, o ktorom je v štáte Kalifornia známe, že spôsobuje rakovinu a vrodené chyby alebo iné reprodukčné poruchy. Pre viac informácií prejdite na [www.P65Warnings.ca.gov](http://www.P65Warnings.ca.gov)

### Informácie týkajúce sa článku 33 v nariadení REACH

Európske nariadenie (EÚ) č. 1907/2006 o registrácii, hodnotení, autorizácii a obmedzovaní chemických látok (REACH) definuje, okrem iného, požiadavky súvisiace s komunikáciou v dodávateľskom reťazci. Požiadavka na informácie sa vzťahuje aj na výrobky obsahujúce tzv. látky vzbudzujúce veľmi veľké obavy („zoznam kandidátskych látok“) 27. júna 2018 bolo do zoznamu kandidátskych látok pridané kovové olovo (č. CAS 7439-92-1).

V súlade s vyššie uvedeným vás to má informovať, že určité mechanické komponenty vo výrobku môžu obsahovať kovové olovo. Je to v zhode s aktuálnymi právnymi predpismi o obmedzovaní látok a na základe zákonných výnimiek v smernici RoHS (2011/65/EÚ). Počas normálneho používania nedôjde k úniku ani premene kovového olova z výrobku a koncentrácia kovového olova v celom výrobku je značne pod príslušnou prahovou hodnotou. Pri likvidácii olova na konci životnosti výrobku zohľadnite, prosím, miestne požiadavky.

## Bezpečnosť

### ⚠ VAROVANIE Riziko poškodenia majetku alebo vážne zranenie

Pred použitím nástroja sa uistite, že ste si prečítali, porozumeli a dodržiavate všetky pokyny. Nedodržanie všetkých pokynov môže spôsobiť poranenie elektrickým prúdom, požiar, poškodenie majetku a/alebo vážne zranenie.

- ▶ Prečítajte si všetky bezpečnostné informácie dodávané spolu s rôznymi časťami systému.
- ▶ Prečítajte si všetky produktové pokyny pre inštaláciu, prevádzku a údržbu rôznych častí systému.
- ▶ Prečítajte si všetky miestne bezpečnostné predpisy, ktoré sa týkajú systému a jeho častí.
- ▶ Uschovajte si všetky bezpečnostné informácie a pokyny pre budúce použitie.

## Účel použitia

Tento motor je navrhnutý na zabudovanie do upevneného alebo pohyblivého stroja. Je určený buď pre otáčanie v pravo-otočivom smere, otáčanie v ľavotočivom smere, alebo obojsmerné otáčanie a podľa potreby ho treba namontovať iba pomocou príruby alebo hlavy vretena. Iné použitie nepovolené. Len na profesionálne použitie.

Riziko, že by motory boli zdrojom vzplanutia potenciálne výbušnej atmosféry, je veľmi nízke. Za vyhodnotenie rizík spojených s celým strojom, do ktorého má byť motor zabudovaný, je zodpovedný používateľ.

## Pokyny špecifické pre výrobu

### Výstraha

#### VAROVANIE Polymérové riziko

Lopatky tohto výrobku obsahujú PTFE (a syntetický fluoropolymér). Čiastočky PTFE sa môžu kvôli opotrebovaniu nachádzať vo vnútri výrobku. Pri nahriatí môže PTFE vyprodukovať výpary, ktoré môžu spôsobiť horúčku z polymérových výparov so symptómami podobnými chrípke, najmä pri fajčení kontaminovaného tabaku.

Pri manipulácii s lopatkami a ďalšími súčastami je nutné vzhľadom na obsah látky PTFE dodržiavať odporúčania týkajúce sa zdravia a bezpečnosti pri práci:

- ▶ Pri vykonávaní servisných prác nefajčite
- ▶ Čiastočky PTFE nesmú prísť do kontaktu s otvoreným ohňom, žiarou ani teplom
- ▶ Komponenty motora sa musia umyť s čistiacou tekutinou a nesmú sa vyfúknuť vzduchovým potrubím
- ▶ Pre vykonaním akejkoľvek inej činnosti si umyte ruky

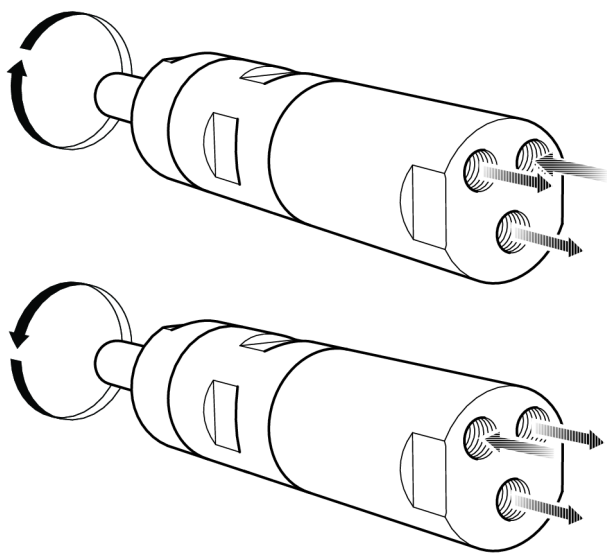
### Hodnotenie IP

Hodnotenie IP pneumatických motorov sa stanovuje pri podmienkach pod tlakom a vylučuje vývod alebo pripojený tlmič výfuku. Ak sa bude motor prevádzkovať ponorený alebo v prudkých vodných prúdoch, vývod sa odporúča vyviesť preč z vody hadicou. Keď je ponorený, vždy udržiavajte motor pod tlakom s vyšším tlakom, než je zodpovedajúca hĺbka.

### Pripojenie k zásobovaniu vzduchom

Keď pripojíte k prívodu zásobovanie stlačeným vzduchom, smer otáčania bude podľa zobrazenia na obrázku. Ak má byť vyfukovaný vzduch odvedený potrubím, treba k výstupu odvodu vzduchu pripojiť hadicu.

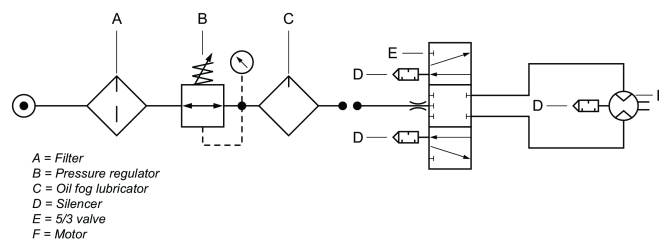
Zásobovanie stlačeným vzduchom treba pripojiť k príslušnému prívodu s požadovaným smerom otáčania, vid' obrázok nižšie. Prívod, ktorý sa nepoužíva, slúži ako dodatočný výstup a nesmie byť upchatý.



s015473

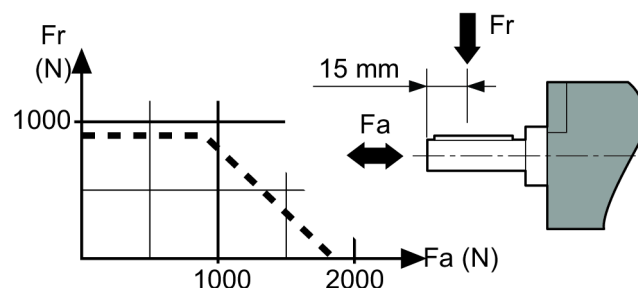
### Inštalčný diagram

Reverzný motor



01/15/25

### Diagram zaťaženia hriadeľa

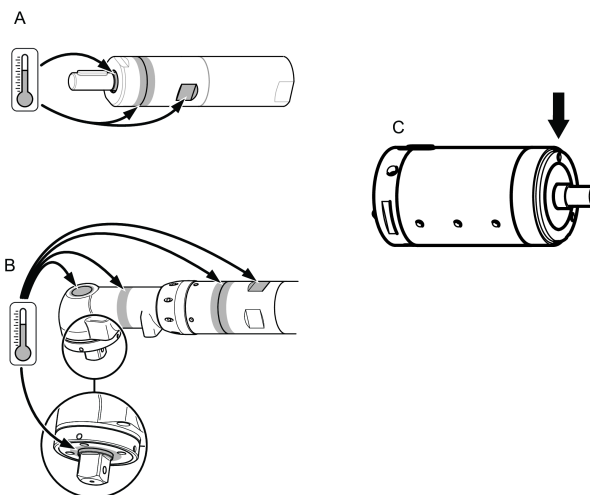


8000345

### Horúce miesta

Nasledovné horúce miesta na motore môžu počas prevádzky dosiahnuť vysoké teploty: Na obrázku sú zobrazené horúce miesta pre konkrétne modely:

- Tesniaci krúžok na výstupnom hriadeľi (A, B, C)
- Spoj medzi prednou časťou a zadným krúžkom (A, B)
- Rukoväť kľúča (A, B)



102020651

K najvyšším teplotám dochádza, keď je motor spustený pri plnom tlaku bez záťaže. S narastajúcim krútiacim momentom znižuje vzduchový motor rotačnú rýchlosť a teplotu.

### Výstraha

Pred použitím tohto motora sa oboznámte s prevádzkovými pokynmi.

Tento motor, jeho doplnky a príslušenstvo musia byť používané len na taký účel, na ktorý boli určené.

Kvôli bezpečnosti a zodpovednosti za výrobok musí akúkoľvek úpravu motora alebo jeho príslušenstva, ktorá môže mať vplyv na zodpovednosť za výrobok, schváliť technický odborník výrobcu.

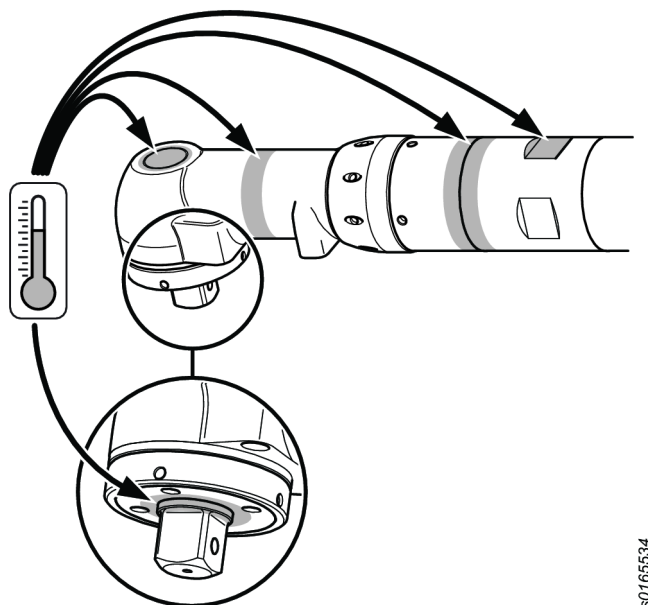
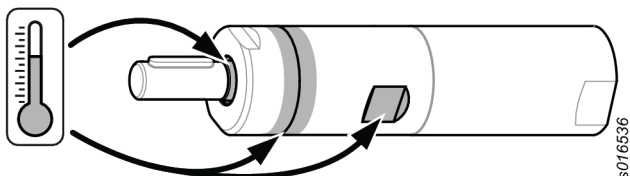
#### Aby ste zabránili poraneniu osôb a dlhodobým rizikám:

- Ak má motor certifikát ATEX, musí sa nainštalovať filter alebo tmiče na vonkajších portoch motora.  
Na zníženie hluku sa odporúča použiť tmiče aj pre iné aplikácie.
- Pred akoukoľvek úpravou odpojte motor od vzduchového potrubia.
- **Dávajte pozor na ruky, vlasy a odev – vždy dodržiavajte dostatočnú vzdialenosť od rotujúcich častí.**

#### Údržba

- Údržbu a opravy tohto výrobku ATEX smie vykonať iba autorizovaný personál. Následne musí byť vykonaný a zaznamenaný do protokolu bezzát'ážový test a merania teploty na horúcich miestach (pozri obrázky).

Po 5-minútovom bezzát'ážovom teste nesmie povrchová teplota prekročiť výslednú hodnotu 45°C + okolitá teplota, pričom okolitá teplota sa môže líšiť v rozpätí 0 – 40°C.



#### Všeobecné bezpečnostné pokyny

Na zníženie rizika zranenia, všetky osoby, ktoré používajú, inštalujú, opravujú, vymieňajú príslušenstvo alebo pracujú v blízkosti tohto nástroja, si musia prečítať a pochopiť tieto pokyny predtým, než vykonajú akúkoľvek takúto úlohu.

Naším cieľom je vyrábať nástroje, ktoré vám pomôžu pracovať bezpečne a efektívne. Najdôležitejším bezpečnostným prvkom ste VY. Vaša opatrnosť a dobrý úsudok sú najlepšou ochranou pred zranením. Nie je možné tu pokryť všetky možné riziká, ale pokúsili sme sa zvýrazniť tie najdôležitejšie.

- Len kvalifikované a vyškolené osoby smú inštalovať, nastavovať alebo používať tento elektrický nástroj.
- Tento nástroj a jeho príslušenstvo sa nesmie upravovať.
- Tento nástroj nepoužívajte, ak bol poškodený.
- Ak prestanú byť čitateľné alebo sa uvoľnia štítky s označením rýchlosti, prevádzkového tlaku alebo nebezpečenstiev umiestnené na nástroji, bezodkladne ich nahraďte.

#### **i** Pre ďalšie informácie o bezpečnosti slúžia:

- Ďalšie dokumenty a informácie priložené k tomuto nástroju.
- Váš zamestnávateľ, odbory a / alebo odchodné združenie.
- Ďalšie informácie o zdraví a bezpečnosti na pracovisku nájdete na nasledujúcich webových stránkach:
  - <http://www.osha.gov> (USA)
  - <https://osha.europa.eu/> (Európa)

#### Prívod vzduchu a nebezpečenstvá napojenia

- Vzduch pod tlakom môže spôsobiť vážne zranenie.
- Keď nástroj nepoužívate, pred výmenou príslušenstva alebo pri oprave vždy vypnite prívod vzduchu, z hadice vytlačte vzduch pod tlakom a nástroj odpojte od prívodu vzduchu.
- Vzduch pod tlakom môže spôsobiť vážne zranenie.
- Šľahajúce hadice môžu spôsobiť vážne zranenie. Vždy skontrolujte, či nie sú hadice a hadicové spojenia poškodené alebo uvoľnené.
- Neprekračujte maximálny tlak vzduchu 6,3 bar / 90 psi, ako je uvedené na štítku nástroja.

#### Nebezpečenstvá zamotania

- Uchovávajte mimo otočného pohonu. V prípade, že sa nezachová dostatočná vzdialenosť medzi voľným oblečením, rukavicami, šperkmi, náhrdelníkmi, vlasmi a strojom a jeho príslušenstvom, môže dôjsť k duseniu, skalpovaniu alebo tržným ranám.

#### Nebezpečenstvo odletujúcich častí

- Pri prevádzke, oprave alebo údržbe nástroja alebo v ich blízkosti alebo pri výmene príslušenstva nástroja vždy používajte ochranu očí a tváre odolnú voči nárazom.
- Uistite sa, či všetci v pracovnom priestore majú nasadené nárazuvzdorné chrániče očí a tváre. I malé odskakujúce častice môžu zraniť oči a spôsobiť stratu zraku.
- Skontrolujte, či je obrobok bezpečne upnutý.

#### Nebezpečenstvá pri prevádzke

- Bezpečne upnite nástroj.
- Pred odobratím obrobku skontrolujte, či nástroj úplne zastal.

- Stroj, do ktorého sa zabuduje momentový motor, musí vždy disponovať ovládacími prvkami na zapnutie, vypnutie a núdzové vypnutie.

### Nebezpečenstvá hluku

- Vysoké úrovne hluku môžu spôsobiť trvalú stratu sluchu alebo iné problémy, ako napr. hučanie v ušiach. Používajte ochranu sluchu odporúčanú zamestnávateľom alebo predpismi týkajúcimi sa zdravia a bezpečnosti na pracovisku.
- Aby ste predišli nepotrebnému zvýšeniu úrovni hluku, nástroj prevádzkujte a servisujte, a vyberte, servisujte a nahraďte príslušenstvo a spotrebné diely v súlade s týmto návodom na obsluhu.

### Nebezpečenstvá na pracovisku

- Pošmyknutie/zakopnutie/pád sú významnou príčinou vážneho zranenia alebo smrti. Dávajte pozor na nadbytočné hadice ponechané na povrchu, kde sa chodí alebo pracuje.
- Predíd'te vdýchnutiu prachu, výparov alebo sutiny, ktoré vznikli pri práci a ktoré môžu spôsobiť zdravotné problémy (napr. rakovinu, pôrodné defekty, astmu a/alebo zápal kože). Pri práci s materiálmi, pri ktorých vznikajú vzduchové častice, používajte odsávanie prachu a vybavenie na ochranu dýchania.
- Niektoré prachy vytvorené pri pieskovaní, pílení, brúsení, vŕtaní a iných stavebných aktivitách obsahujú chemikálie, o ktorých je v štáte Kalifornia známe, že spôsobujú rakovinu a vrodené chyby alebo iné reprodukčné poškodenia. Medzi niektoré príklady takýchto chemikálií patria:
  - olovo z olovnatých farieb,
  - tehly a cement s kryštalického kremeňa a iné murárske produkty,
  - arzenik a chróm z chemicky ošetrenej gumeny.

Vaše riziko pri týchto expozíciách sa líši podľa toho, ako často vykonávate tento druh práce. Na zníženie expozície týchto chemikálií: pracujte v dobre vetranej oblasti a pracujte so schváleným bezpečnostným vybavením ako napríklad maskou proti prachu, ktoré je špeciálne navrhnutá na odfiltrovanie mikroskopických častíc.

- V neznámom prostredí postupujte opatrne. Majte na mysli možné nebezpečenstvá vyplývajúce z vašej pracovnej činnosti. Tento nástroj nie je izolovaný na kontakt so zdrojmi elektriny.

### NEVYHADZUJTE – ODOVZDAJTE POUŽÍVATEĽOVI

### Nápisy a nálepky

Tento výrobok je vybavený značeniami a nálepkami, ktoré obsahujú dôležité informácie o osobnej bezpečnosti a údržbe výrobku. Značenia a nálepky musia byť vždy ľahko čitateľné. Nové značenia a nálepky môžete objednať pomocou zoznamu náhradných dielov.



s011050

## Informácie o certifikácii ATEX

### Teploty

- Maximálna okolitá teplota, pre ktorú platí certifikácia, je 40 °C.
- 40 °C je takisto maximálna povolená teplota stlačeného vzduchu pri vstupe do výrobku.
- Ak je výrobok nainštalovaný v zariadení, celé zariadenie musí vyhovovať smerniciam 2014/34/EÚ.
- Uistite sa, že stlačený vzduch spĺňa naše požiadavky na kvalitu (triedy kvality 2.4.3. a 3.4.4, resp. 3.5.4 podľa ISO/DIS 8573-1:2010).
- Neprekračujte maximálny tlak vzduchu 6,3 bar alebo ako je uvedené na štítku výrobku. Prekročenie prevádzkového tlaku môže zvýšiť povrchovú teplotu z dôvodu vyššej rýchlosti otáčania a výrobok sa môže stať zdrojom vznietenia.

### Ex klasifikácia

Ak je výrobok súčasťou montážneho celku, kde majú komponenty rôznu Ex klasifikáciu, definuje Ex klasifikáciu celej montážnej zostavy komponent s najnižšou úrovňou bezpečnosti.

### Pokyny na prevenciu pred výbuchom

#### Čistota

- Uistite sa, že je výrobok očistený od prachu a špiny, aby ste predišli zvýšenej ložiskovej a povrchovej teplote.
- Ak používate tlmíčov: Uistite sa, že je k výstupu vzduchu nainštalovaný tlmíčov s filtračným účinkom, aby ste predišli vniknutiu častíc nahriatych trením do okolitej atmosféry.

#### Použitie

- Zabezpečte, aby bol výrobok uzemnený systémom vyrovnávania potenciálu dielne, napr. pomocou príslušenstva, ako napr. hadíc a tlakových spojení.
- Používateľ je zodpovedný za kontrolu, či celé príslušenstvo výrobku, ako napr. kľúče a vzduchové spojenia, spĺňa národné bezpečnostné predpisy pre nástroje používané v oblastiach s rizikom výbuchu.

### Definícia kódu ATEX

Kód ATEX je:



Ex II 2 G Ex h IIC T6 Gb

Ex II 2 D Ex h IIIC T85°C Db

°C ≤ Ta ≤ 40 °C

Popis	Hodnota	Definícia
Skupina zariadenia	II	Povrchový priemysel

Popis	Hodnota	Definícia
Kategória zariadenia	2	Vysoká úroveň ochrany
Skupina II		<ul style="list-style-type: none"> <li>zóna 1 (plyn)</li> <li>zóna 2 (plyn)</li> <li>zóna 21 (prach)</li> <li>zóna 22 (prach)</li> </ul>
Atmosféra	G	Atmosféra s obsahom plynu, výparov alebo hmly
	D	Atmosféra s obsahom prachu
Bezpečnostný dizajn	h	Mechanický výrobok
Skupina plynu	IIC	Hydrogén/Acetylén
	IIB	Etylén
Skupina prachu	IIIC	Povrchový horľavý prach
Max povrchová teplota v <b>plynovej</b> atmosfére		<b>T1</b> = 450 °C <b>T2</b> = 300 °C <b>T3</b> = 200 °C <b>T4</b> = 135 °C <b>T5</b> = 100 °C <b>T6</b> = 85 °C
Max povrchová teplota v <b>prašnej</b> atmosfére		Príklady teplôt: T85 °C T110 °C T120 °C T125 °C T240 °C
Špeciálne obmedzenie, napríklad rozsah teploty okolia.	X	

## Užitočné informácie

### Webová stránka

Prihláste sa do Atlas Copco: [www.atlascopco.com](http://www.atlascopco.com).

Nájdete tam informácie ohľadom výrobkov, príslušenstva, náhradných dielov a správy uverejnené na našej webovej stránke.

### Krajina pôvodu

Príslušná informácia je uvedená na etikete.

### Záruka

- Záruka na výrobok uplynie 12 mesiacov po prvom uvedení výrobku do prevádzky ale v každom prípade uplynie najneskôr 13 mesiacov od dodania.

- Na bežné opotrebenie a zničenie dielov sa nevzťahuje záruka.
  - Bežné opotrebenie a starnutie je také, ktoré si vyžaduje výmenu dielu a/alebo iné nastavenie/generálnu opravu počas štandardnej údržby nástrojov typickej pre daný interval (vyjadrený časom, prevádzkovými hodinami alebo inak).
- Záruka na výrobok predpokladá správne použitie, údržbu a opravy nástroja a jeho komponentov.
- Poškodenie dielov, ktoré sa vyskytne ako výsledok neprimeranej údržby alebo údržby vykonanej inými stranami než Atlas Copco alebo ich certifikovanými servisnými partnermi počas záručnej body, nie je pokryté zárukou.
- Aby ste predišli poškodeniu alebo zničeniu dielov nástroja, servisujte nástroj podľa odporúčaných servisných intervalov a postupujte podľa správnych pokynov.
- Záručné opravy sú vykonávané iba v Atlas Copco dielniciach alebo certifikovanými servisnými partnermi.

ponúka predĺženú záruku a najnovšiu preventívnu údržbu prostredníctvom Atlas Copco ToolCover zmlúv. Bližšie informácie získate u miestneho servisného zástupcu.

Pre elektrické motory:

- Záruka sa uplatňuje iba v prípade neotvorenia elektrického motora.

### Funkcia ServAid

ServAid je portál, ktorý obsahuje technické informácie pre všetky hardvérové a softvérové produkty, ako napríklad:

- regulačné a bezpečnostné informácie,
- technické údaje,
- Inštalčné, prevádzkové a servisné pokyny
- zoznamy náhradných dielov,
- príslušenstvo.

ServAid sa neustále aktualizuje a je dostupný na stránke: <https://servaid.atlascopco.com>

Bližšie informácie vám poskytne váš miestny zástupca spoločnosti Atlas Copco.

### Bezpečnostné dátové listy MSDS/SDS

Tieto bezpečnostné dátové listy popisujú chemické produkty predávané spoločnosťou Atlas Copco.

Bližšie informácie nájdete na webovej stránke: [www.atlascopco.com/sds](http://www.atlascopco.com/sds)

## Technické údaje

### Technické údaje

Objednací číslo	8411033965
Model	LZB34-RL-AR005-11
Spotreba vzduchu pri volnoběžných otáčkách	l/s

Spotřeba vzduchu při volnoběžných otáčkách	cfm
Spotřeba vzduchu při maximálním výkonu	7.9 l/s
Spotřeba vzduchu při maximálním výkonu	16.8 cfm
Brzdící moment	Nm
Brzdící moment	ft lb
Integrovaná brzda	No
Materiál externích dílů	Stainless steel
Volnoběžné otáčky	450 ot./min.
Max. výkon	0.25 kW
Max. výkon	0.34 hp
Min. počáteční moment	12.6 Nm
Min. počáteční moment	9.3 ft lb
Poměr	
Směr otáčení	Reversible
Kód zatížení hřídele	c
Typ hřídele	Keyed
Otáčky při max. výkonu	240 ot./min.
Mezní moment	19.6 Nm
Mezní moment	14.5 ft lb
Moment při max. výkonu	9.8 Nm
Moment při max. výkonu	7.2 ft lb
Typ lopatek	Lubrication free
Hmotnost	1.2 kg
Hmotnost	2.65 lb
Přívodní hadice	10 mm
Přívodní hadice	0.4 in
Stupeň krytí	IP66/IP68/IP69
Výstupní hadice	10 mm
Výstupní hadice	0.4 in
Stupeň ochrany IP	IP66/IP68/IP69

## Stupeň ochrany IP

Stupeň ochrany IP vzduchových motorů se v souladu s normou IEC 60529 vztahuje na mechanický kryt. Stupeň ochrany IP nezahrnuje odolnost proti korozi či jakýmkoli kapalinám s výjimkou vody ze sladkovodního zdroje.

## Prohlášení

### EU PROHLÁŠENÍ O ZABUDOVÁNÍ

My, společnost **Atlas Copco Industrial Technique AB**, SE-105 23 STOCKHOLM SWEDEN, na vlastní odpovědnost prohlašujeme, že tento produkt (s názvem, typem a sériovým číslem, viz přední stranu) splňuje následující zásadní požadavky Směrnice o strojních zařízeních 2006/42/ES:

2006/42/EC (Annex I, clauses 1.1, 1.2 (excluding 1.2.4.3), 1.3, 1.4, 1.5, 1.6, 1.7)

A že toto částečně sestavené strojní zařízení je v souladu s ustanoveními následující další směrnice EU: 2014/34/EU (ATEX)

Toto částečně sestavené strojní zařízení nesmí být uvedeno do provozu, dokud pro konečné strojní zařízení, do něhož bude začleněno, nebude vydáno prohlášení o shodě v souladu s požadavky Směrnice 2006/42/ES o strojních zařízeních, je-li to nutné.

Byly použity následující harmonizované evropské normy (případně jejich části/ustanovení):

EN 1127-1:2019, EN ISO 12100:2010, EN ISO 80079-36:2016, EN ISO 80079-37:2016

Relevantní technická dokumentace byla sestavena a byla zveřejněna v souladu se Směrnicemi o strojních zařízeních 2006/42/ES, Část B, Příloha VII, a článkem 13 (1) b) ii směrnice ATEX 2014/34/EU prostřednictvím notifikované osoby ExVeritas ApS (identifikační číslo 2804) v Dánsku. Úřady si mohou vyžádat technický spis pro směrnici ATEX 2014/34/EU v tištěné formě od:

<https://www.exveritas.com/2022/02/02/what-you-need-for-atex-and-ukca-explosive-atmosphere-certification-for-the-uk-and-eu-markets/>

Stockholm, 1 September 2023

**Håkan Andersson, Managing Director**

Podpis vystavitele



## Oblastní požadavky

### ⚠ VÝSTRAHA

U tohoto výrobku můžete být vystaveni působení chemických látek včetně olova, což je ve státě Kalifornie faktor způsobující rakovinu, poškození plodu nebo jiné reprodukční poškození. Více informací je k dispozici na stránce [www.P65Warnings.ca.gov](http://www.P65Warnings.ca.gov)

## Informace ohledně článku 33 nařízení REACH

Nařízení Evropského parlamentu a Rady (ES) č. 1907/2006 o registraci, hodnocení, povolování a omezování chemických látek (REACH) kromě dalších záležitostí definuje požadavky vztahující se ke komunikaci v rámci dodavatelského řetězce. Požadavek na informace platí i pro produkty obsahující tzv. látky vzbuzující mimořádné obavy („Seznam kandidátů“). Dne 27. Června 2018 bylo na seznam kandidátů zařazeno olovo (č. CAS 7439-92-1).

V souladu s výše uvedeným vás tímto informujeme, že určité mechanické součásti produktu mohou obsahovat olovo. To je v souladu s aktuální legislativou o omezení látek a na základě platných výjimek ve Směrnici o omezení používání některých nebezpečných látek v elektrických a elektronických zařízeních (2011/65/EU) známé i pod zkratkou RoHS. Olovo nebude během běžného používání z produktu unikat ani v něm mutovat a celková koncentrace olova v produktu je výrazně pod platnou prahovou mezí. Zkontrolujte místní požadavky ohledně likvidace olova na konci životnosti produktu.

## Bezpečnost

### ⚠ VÝSTRAHA Nebezpečí vzniku škody na majetku a vážného úrazu

Před použitím nástroje se ujistěte, zda jste si přečetli veškeré pokyny, zda jim rozumíte a zda je dodržujete. Nedodržení všech pokynů může mít za následek úraz elektrickým proudem, požár, škodu na majetku anebo vážný úraz.

- ▶ Přečtěte si veškeré bezpečnostní informace dodané s různými částmi systému.
- ▶ Přečtěte si veškeré produktové pokyny týkající se instalace, obsluhy a údržby různých částí systému.
- ▶ Přečtěte si veškeré zákonné bezpečnostní předpisy týkající se systému a jeho částí.
- ▶ Uschovejte veškeré bezpečnostní informace a pokyny pro budoucí potřebu.

### Prohlášení o použití

Tento motor je zkonstruován pro zabudování do pevně stojícího nebo pohybujícího se stroje. Je dodáván buď pro směr otáčení pouze doprava, pro směr otáčení pouze doleva nebo pro otáčení oběma směry, a musí být namontován pouze pomocí příruby nebo závitového výstupku, podle potřeby. Žádné jiné použití není povoleno. Pouze pro profesionální použití.

Riziko, že by se motory mohly stát zdrojem vznícení v potenciálně výbušné atmosféře, je extrémně malé. Uživatel je odpovědný za vyhodnocení rizik spojených s provozem celého stroje, do kterého je motor zabudován.

### Pokyny specifické pro produkt

#### Výstraha

### ⚠ VÝSTRAHA Škodlivé účinky polymeru

Lamelly v tomto výrobku obsahují PTFE (syntetický fluoropolymer). V důsledku opotřebení se uvnitř výrobku mohou nacházet částice PTFE. Při zahřívání PTFE mohou vznikat výpary, které způsobují horečku z polymerových výparů s příznaky podobnými chřipce, zejména při kouření kontaminovaného tabáku.

Při manipulaci s lamelami a jinými součástmi je třeba dodržovat zdravotní a bezpečnostní pokyny týkající se PTFE:

- ▶ Během provádění oprav/údržby tohoto výrobku nekuřte.
- ▶ Částice PTFE nesmějí přijít do styku s otevřeným ohněm, žářem nebo teplem.
- ▶ Části motoru je nutné omývat čisticí kapalinou, nikoliv pouze ofukovat vzduchem.
- ▶ Než se začnete věnovat jakékoliv jiné činnosti, umyjte si ruce.

### Stupeň ochrany IP

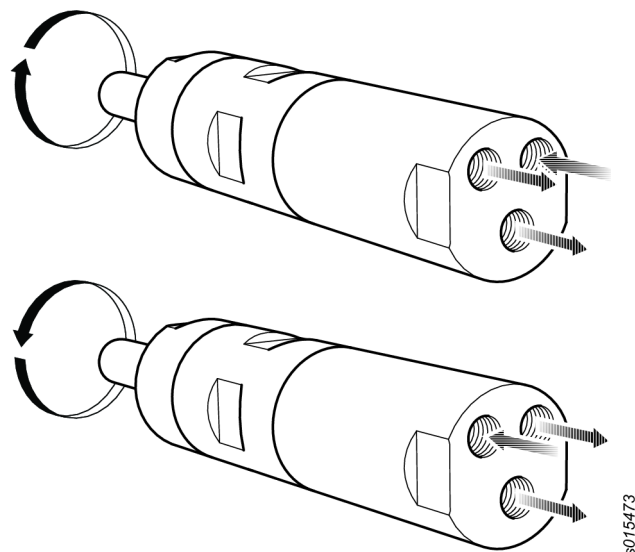
Stupeň ochrany IP vzduchových motorů se nastavuje pod tlakem a netýká se výstupu ani připojeného tlumiče. Pokud bude motor v chodu pod hladinou kapaliny nebo v silných

proudech vody, doporučuje se vést výstup z vody hadicí. Když je motor pod hladinou, vždy musí být pod tlakem, a to vyšším, než odpovídá hloubce.

### Připojení přívodu vzduchu

Při připojení přívodu stlačeného vzduchu ke vstupu bude směr otáčení takový, jaký je zobrazen na obrázku níže. Pokud má být výfukový vzduch odváděn potrubím, musí být hadice připojena k výfukovému výstupu.

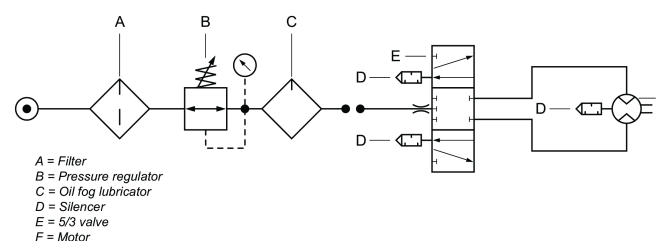
Přívod stlačeného vzduchu musí být připojen k příslušnému vstupnímu portu pro požadovaný směr otáčení, viz obrázek níže. Nepoužitý druhý vstupní port funguje jako přidavný výstupní port a nesmí být uzavřen.



s015473

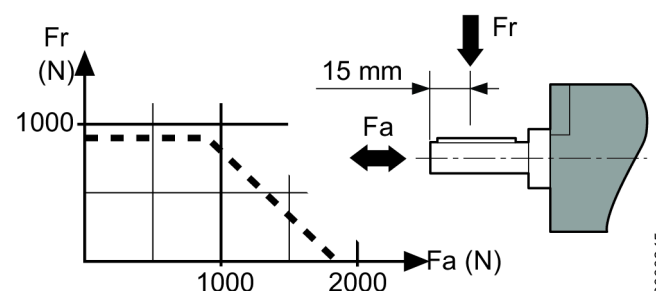
### Montážní schéma

Reverzní motor



a105475

### Diagram zatížení hřídele



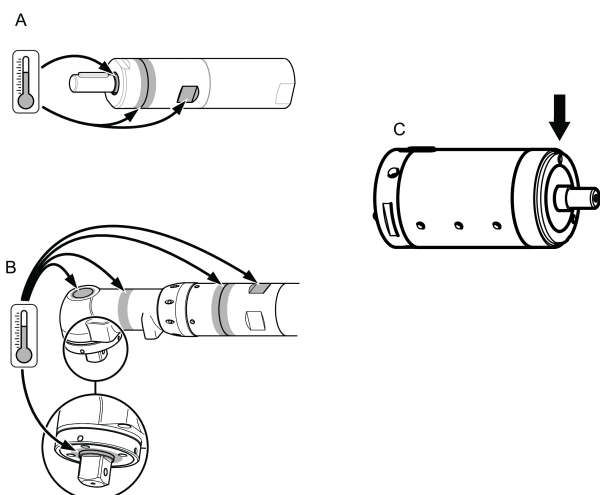
8000345

### Horká místa

Následující horká místa na motoru mohou během provozu dosáhnout vysokých teplot. Na obrázku jsou znázorněna horká místa pro uvedené modely:

- Těsnící kroužek na výstupní hřídeli (A, B, C)

- Spoj mezi předním dílem a převodovým kroužkem (A, B)
- Ploška pro klíč (A, B)



K nejvyšším teplotám dochází, pokud motor běží pod plným tlakem bez zátěže. Se zvyšujícím se momentem se snižují otáčky vzduchového motoru i jeho teplota.

### Výstraha

Před používáním tohoto motoru se seznamte s provozními pokyny.

Tento motor i jeho nástavce a příslušenství je nutné používat pouze k účelu, ke kterému jsou určeny.

Pro zajištění odpovědnosti za vady výrobku a z bezpečnostních důvodů je nezbytné s technickým orgánem výrobce předem dohodnout jakékoli úpravy motoru a jeho příslušenství, které by mohly mít vliv na odpovědnost za vady výrobků.

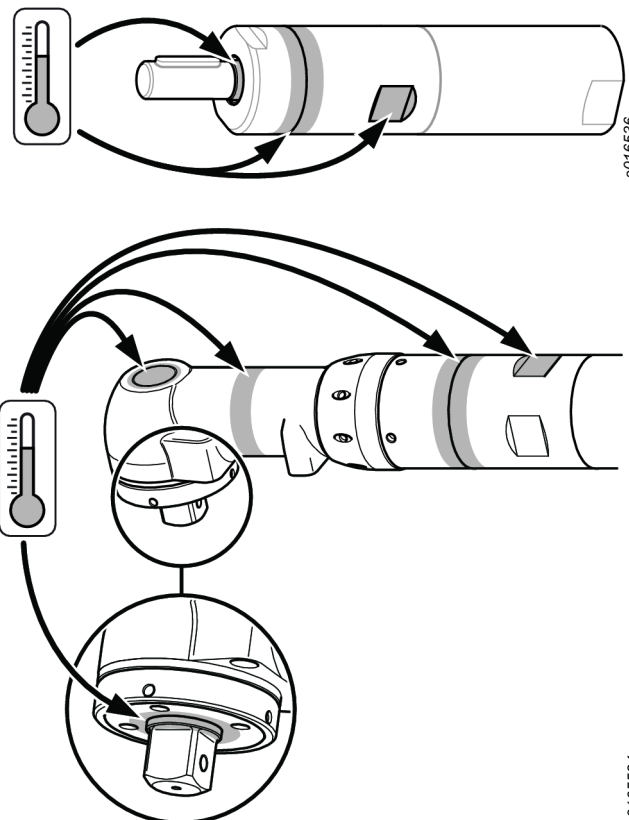
### Jak se chránit před zraněním a zabránit dlouhodobému riziku:

- Pokud má motor certifikaci ATEX, musí být na portu vývodu vzduchu namontován filtr nebo tlumiče.  
Za účelem snížení hladiny hluku se tlumiče doporučují i pro jiné aplikace.
- Před prováděním jakékoliv operace nastavování odpojte motor od vzduchového vedení.
- **Dejte pozor na ruce, vlasy a oděv – vždy dodržujte bezpečnou vzdálenost od otáčejících se částí.**

### Údržba

- Údržba a opravy tohoto produktu ATEX musí provádět výhradně oprávněné osoby. Po dokončení údržby nebo opravy musí být provedena zkouška bez zátěže a měření teploty na „horkých místech“ (viz obrázek), a výsledky musí být zaznamenány do protokolu.

Po zkoušce bez zátěže v délce 5 minut nesmí povrchová teplota přesáhnout celkovou hodnotu 45°C + okolní teplota, kde hodnota okolní teploty může kolísat v rozsahu od 0 – 40°C.



### Obecné bezpečnostní pokyny

Aby se omezilo riziko úrazu, musí si každý, kdo používá, montuje, opravuje nástroj, provádí jeho údržbu, mění na něm příslušenství nebo pracuje v jeho blízkosti, před prováděním jakékoliv takové práce přečíst tyto pokyny a porozumět jim.

Naším cílem je vyrábět nástroje, které vám pomohou pracovat bezpečně a efektivně. Nejdůležitějším bezpečnostním zařízením pro tento nebo jakýkoliv jiný nástroj jste VY. Vaše pozornost a správný úsudek jsou nejlepší ochranou před poraněním. Na tomto místě nelze popsat všechna potenciální nebezpečí, pokusili jsme se však zdůraznit některá nejvýznamnější.

- Tento mechanický nástroj smějí instalovat, seřizovat nebo používat jen kvalifikovaní a vyškolení operátoři.
- Tento nástroj a jeho příslušenství je zakázáno jakýmkoliv způsobem upravovat.
- Nepoužívejte nástroj, pokud je poškozen.
- Pokud na nástroji nejsou čitelné štítky s hodnotami jmenovitých otáček, provozního tlaku či výstražné štítky, nebo pokud dojde k jejich oddělení od nástroje, bez prodlení je vyměňte.

**i** Další bezpečnostní pokyny naleznete v následujících dokumentech nebo si je vyžádejte u následujících osob či organizací:

- Jiné dokumenty a informace přibalené k tomuto nástroji.
- Váš zaměstnavatel, odborové anebo obchodní sdružení.
- Další informace o ochraně zdraví a bezpečnosti zaměstnanců lze získat na následujících webových stránkách:
  - <http://www.osha.gov> (USA)
  - <https://osha.europa.eu/> (Evropa)

#### Přívod vzduchu a nebezpečí při připojení

- Vzduch pod tlakem může způsobit vážný úraz.
- Vždy vypněte přívod vzduchu, z hadic vypustíte tlak vzduchu a odpojte nástroj od přívodu vzduchu, pokud se nástroj nepoužívá, před výměnou jeho příslušenství nebo při provádění jeho oprav.
- Proud vzduchu nikdy nemířte na sebe ani na nikoho jiného.
- Házení hadic může způsobit vážný úraz. Vždy zkontrolujte, zda hadice a spojky nejsou poškozené nebo uvolněné.
- Nepřekračujte maximální tlak vzduchu 6,3 bar / 90 psig nebo tlak uvedený na štítku nástroje.

#### Nebezpečí zamotání

- Udržujte bezpečnou vzdálenost od otáčejících se částí. Pokud nebudete udržovat volné části oděvu, rukavice, šátek nebo jiné oděvní součásti či ozdoby nošené na krku a vlasy v dostatečné vzdálenosti od nástroje a příslušenství, může dojít k jejich zachycení nástrojem, což vám může způsobit udušení, skalpování anebo tržné rány.

#### Rizika odlétávajících předmětů

- Vždy používejte nárazuvzdorné ochranné brýle a obličejový kryt při práci s nástrojem a jeho opravě a údržbě či při výměně příslušenství, nebo pokud jsou tyto činnosti prováděny ve vaší blízkosti.
- Zajistěte, aby i všichni ostatní v pracovním prostoru měli nárazuvzdorné brýle a obličejové kryty. I malé odlétávající předměty mohou způsobit poranění očí a následnou slepotu.
- Dbejte na to, aby obrobek byl řádně upevněn.

#### Provozní rizika

- Nástroj pevně upněte.
- Před odchodem od díla se ujistěte, zda je nástroj zcela zastavený.
- Stroj, do kterého je motor / momentový motor zabudovaný, vždy vybavte ovládacími prvky pro spuštění, zastavení a nouzové zastavení.

#### Škodlivé účinky hluku

- Vysoké úrovně hluku mohou způsobit trvalou ztrátu sluchu nebo jiné zdravotní problémy, jako je například hučení v uších. Používejte ochranu sluchu doporučenou vaším zaměstnavatelem nebo předepsanou podle předpisů týkajících se bezpečnosti a ochrany zdraví při práci.

- Za účelem předcházení zbytečnému zvyšování úrovní hluku nástroj používejte a provádějte jeho údržbu, a vybírejte, vyměňujte a provádějte údržbu jeho příslušenství a spotřebního materiálu, v souladu s pokyny uvedenými v tomto návodu k obsluze.

#### Rizika na pracovišti

- Uklouznutí, zakopnutí nebo pád jsou hlavními příčinami vážných nebo i smrtelných úrazů. Dávejte pozor na nadměrné množství hadic ponechaných na podlaze nebo na pracovní ploše.
- Vyhněte se vdechování prachu či výparů i manipulaci s nečistotami z pracovního procesu, které mohou způsobovat zdravotní potíže (například rakovinu, poruchy při narození, astma anebo dermatitidu). Při práci s materiály, které způsobují uvolňování částic do vzduchu, používejte zařízení na odsávání prachu a noste ochranné dýchací pomůcky.
- Prach vznikající při motorovém vyhlazování, řezání, broušení, vrtání a jiných stavebních činnostech může obsahovat chemické látky, o kterých je ve státu Kalifornie známo, že způsobují rakovinu a poruchy při narození nebo jiná poškození reprodukčního ústrojí. Některé příklady takových chemických látek jsou následující:
  - olovo z olovnatých barev;
  - cihly z krystalického křemene, cement a další stavební materiály pro zdiva;
  - arsen a chrom z chemicky upravené pryže.

Vaše riziko vyplývající z vystavení se působení těchto látek se liší podle toho, jak často provádíte takový typ práce. Abyste omezili své vystavení se působení těchto chemických látek: pracujte v dobře větraných prostorách a používejte schválené bezpečnostní ochranné pomůcky, jako jsou například masky proti prachu, které jsou speciálně zkonstruované k odfiltrování mikroskopických částic.

- V neznámém pracovním prostředí si počínejte opatrně. Dávejte pozor na potenciální rizika vznikající v důsledku vaší pracovní činnosti. Tento nástroj není izolován pro případ dotyku se zdroji elektrického proudu.

#### NEVYHAZUJTE – PŘEDEJTE UŽIVATELI

#### Značky a štítky

Produkt je opatřen značkami a štítky s důležitými informacemi o osobní bezpečnosti a údržbě produktu. Tyto značky a štítky musí být neustále snadno čitelné. Nové značky a štítky je možné si objednat pomocí seznamu náhradních dílů.



s011050

#### Informace o certifikaci ATEX

##### Teploty

- Maximální okolní teplota, pro kterou osvědčení platí, je 40 °C.

- 40 °C je také maximální přípustná hodnota teploty stlačeného vzduchu přiváděného do produktu.
- Pokud je produkt namontován v zařízení, musí celé zařízení odpovídat pokynům směrnice 2014/34/EU.
- Zajistěte, aby stlačený vzduch splňoval naše kvalitativní požadavky (třídy kvality 2.4.3. a 3.4.4, případně 3.5.4 podle normy ISO/DIS 8573-1:2010).
- Nepřekračujte maximální tlak vzduchu 6,3 bar nebo tlak uvedený na štítku produktu. Překročení provozního tlaku může zvýšit povrchovou teplotu z důvodu vyšších otáček a produkt se může stát zdrojem vznícení.

### Klasifikace Ex

Pokud je tento produkt součástí sestavy, v níž mají různé součásti různou klasifikaci Ex, bude klasifikace Ex celé kompletní sestavy definována součástí s nejnižší úrovní bezpečnosti.

### Pokyny pro zabránění výbuchu

#### Čistota

- Zajistěte, aby byl produkt udržován v čistém stavu bez prachu a nečistot, aby se zabránilo zvýšení teploty ložiska a povrchu motoru.
- Při použití tlumiče: Zajistěte, aby byl na vývodu vzduchu namontován tlumič s filtračním účinkem, který zabrání výstupu jakýchkoliv částic zahřátých třením do okolní atmosféry.

#### Použití

- Zajistěte, aby byl produkt uzemněn k systému ochranného pospojování dílny, například pomocí vhodného příslušenství, jako jsou hadice a vzduchové tlakové spojky.
- Uživatel nese odpovědnost za zajištění veškerého možného příslušenství k produktu, jako jsou klíče a vzduchové spojky, které bude odpovídat celostátním bezpečnostním předpisům týkajícím se zařízení pro použití v místech s nebezpečím výbuchu.

### Definice kódu ATEX

Kód ATEX je:



Ex II 2 G Ex h IIC T6 Gb  
 Ex II 2 D Ex h IIIC T85°C Db  
 $^{\circ}\text{C} \leq T_a \leq 40^{\circ}\text{C}$

Popis	Hodnota	Definice
Skupina zařízení	II	Povrchový průmysl

Popis	Hodnota	Definice
Kategorie zařízení	2	Vysoká úroveň ochrany
<b>Skupina II</b>		<ul style="list-style-type: none"> <li>• zóna 1 (plyn)</li> <li>• zóna 2 (plyn)</li> <li>• zóna 21 (prach)</li> <li>• zóna 22 (prach)</li> </ul>
Atmosféra	<b>G</b>	Atmosféra obsahující plyn, výpary nebo aerosol
	<b>D</b>	Atmosféra obsahující prach
Bezpečnostní konstrukce	<b>h</b>	Mechanický produkt
Skupina plynu	<b>IIC</b>	Vodík/acetylén
	<b>IIB</b>	Etylén
Skupina prachu	<b>IIIC</b>	Povrchový hořlavý prach
Max. teplota povrchu v <b>plynové</b> atmosféře		<b>T1</b> = 450 °C <b>T2</b> = 300 °C <b>T3</b> = 200 °C <b>T4</b> = 135 °C <b>T5</b> = 100 °C <b>T6</b> = 85 °C
Max. teplota povrchu v <b>prachové</b> atmosféře		Příklady teplot: <b>T85</b> °C <b>T110</b> °C <b>T120</b> °C <b>T125</b> °C <b>T240</b> °C
Zvláštní omezení, např. rozsah okolních teplot.	<b>X</b>	

### Užitečné informace

#### Webová stránka

Přihlaste se na Atlas Copco: [www.atlascopco.com](http://www.atlascopco.com).

Informace týkající se našich výrobků, příslušenství, náhradních dílů a publikovaných dokumentů naleznete na našich webových stránkách.

#### Země původu

Informace naleznete na štítku produktu.

#### Záruka

- Záruce na produkt vyprší platnost 12 měsíců po prvním použití produktu, v každém případě však nejpозději po uplynutí 13 měsíců od data dodání.

- Normální opotřebením dílů není zárukou kryto.
  - Normálním opotřebením se rozumí opotřebením, které vyžaduje výměnu dílu nebo jinou úpravu/přepřerování při provádění standardní údržby nástroje, a je typické pro dané období (vyjádřené časem, provozními hodinami nebo jiným způsobem).
- Záruka na produkt předpokládá správné používání a provádění údržby a oprav nástroje a jeho konstrukčních dílů.
- Poškození dílů, ke kterému dojde v důsledku nesprávně prováděné údržby, nebo údržby prováděné jinými stranami než Atlas Copco nebo jejich certifikovanými servisními partnery během záruční doby, nebude zárukou kryto.
- Abyste zabránili poškození nebo zničení dílů nástroje, provádějte údržbu nástroje v souladu s doporučenými plány údržby a postupujte přitom podle správných pokynů.
- Záruční opravy musí být prováděny výhradně v dílnách Atlas Copco nebo jejich certifikovaných servisních partnerů.

Atlas Copco nabízí prodlouženou záruku a provádění preventivní údržby podle současného stavu vývoje a znalostí v rámci svých smluv ToolCover. Další informace si vyžádejte u svého místního servisního zástupce.

V případě elektrických motorů:

- Záruka bude platit pouze v případě, že elektrický motor nebyl otevřen.

## ServAid

ServAid je portál, který obsahuje technické informace pro všechny hardwarové a softwarové produkty, jako například:

Regulační a bezpečnostní informace

- Technické údaje
- Pokyny týkající se instalace, provozu a údržby
- Seznamy náhradních dílů
- Příslušenství

Portál ServAid je průběžně aktualizován a je k dispozici na adrese: <https://servaid.atlascopco.com>

Další informace si vyžádejte u svého místního zástupce společnosti Atlas Copco.

## Materiálové bezpečnostními listy MSDS/ SDS

Materiálové bezpečnostními listy popisují chemické produkty prodávané společností Atlas Copco.

Další informace naleznete na webové stránce: [www.atlascopco.com/sds](http://www.atlascopco.com/sds)

## Műszaki adatok

### Műszaki adatok

Rendelészám	8411033965
Modell	LZB34-RL-AR005-11

Levegőfogyasztás terhelés nélküli forgás esetén	l/s
Levegőfogyasztás terhelés nélküli forgás esetén	cfm
Levegőfogyasztás maximális teljesítmény esetén	7.9 l/s
Levegőfogyasztás maximális teljesítmény esetén	16.8 cfm
Fékerő	Nm
Fékerő	ft lb
Beépített fék	No
Külső részek anyaga	Stainless steel
Terhelés nélküli fordulatszám	450 ford./perc
Maximális teljesítmény	0.25 kW
Maximális teljesítmény	0.34 LE
Minimális indítónyomaték	12.6 Nm
Minimális indítónyomaték	9.3 ft lb
Áttétel	
Forgási irány	Reversible
Tengelyterhelési kód	c
Tengely típusa	Keyed
Sebesség maximális teljesítményen	240 ford./perc
Alapjárat nyomaték	19.6 Nm
Alapjárat nyomaték	14.5 ft lb
Nyomaték maximális teljesítményen	9.8 Nm
Nyomaték maximális teljesítményen	7.2 ft lb
Vane típus	Lubrication free
Tömeg	1.2 kg
Tömeg	2.65 font
Beömlő tömlő	10 mm
Beömlő tömlő	0.4 hüvelyk
Behatolás elleni védettség szintje	IP66/IP68/IP69
Kiömlő tömlő	10 mm
Kiömlő tömlő	0.4 hüvelyk
IP-besorolás	IP66/IP68/IP69

## IP-besorolás

A légmotorok IP-besorolása a mechanikai tokozásra vonatkozik, az IEC 60529-es szabványnak megfelelően. Az IP-besorolás nem vonatkozik a korrózióvédelemre, illetve a tiszta édesvízen kívül semmilyen más folyadékra.

## Nyilatkozatok

### EU BEÉPÍTÉSI NYILATKOZAT

Mi, a(z) **Atlas Copco Industrial Technique AB**, SE-105 23 STOCKHOLM SWEDEN, kizárólagos felelősségünk tudatában kijelentjük, hogy a következő termékek (név, típus és

sorozatszám, lásd az előlapot) kialakítása megfelel a gépekről szóló 2006/42/EK irányelv következő alapvető követelményeinek:

2006/42/EC (Annex I, clauses 1.1, 1.2 (excluding 1.2.4.3), 1.3, 1.4, 1.5, 1.6, 1.7)

Továbbá hogy ez a részben kész gép megfelel a következő egyéb EU-s irányelv(ek) rendelkezéseinek: 2014/34/EU (ATEX)

Ez a részben kész gép csak akkor használható, ha a kész gép, amelybe azt beépítik, a gépekről szóló 2006/42/EK irányelv előírásainak való megfelelést igazoló nyilatkozattal van ellátva, ahol ez szükséges.

A következő európai harmonizált szabványok (adott részei/pontjai) kerültek alkalmazásra:

EN 1127-1:2019, EN ISO 12100:2010, EN ISO 80079-36:2016, EN ISO 80079-37:2016

A vonatkozó műszaki dokumentációt a 2006/42/EK gépirányelv VII. melléklet B részének és a 2014/34/EK ATEX irányelv 13. cikk (1) bekezdés b) pont ii. alpontjának megfelelően az ExVeritas ApS (EU-azonosítószám: 2804) tanúsítási szervezetnél, Dániában állították össze és jelentették be. A hatóságok az alábbi helyről kérhetik nyomtatott formában az ATEX 2014/34/EU irányelvének műszaki dokumentációját:

<https://www.exveritas.com/2022/02/02/what-you-need-for-atex-and-ukca-explosive-atmosphere-certification-for-the-uk-and-eu-markets/>

Stockholm, 1 September 2023

**Håkan Andersson, Managing Director**

A kiadó aláírása



## regionális követelmények

### ⚠ FIGYELEM

A termék különböző vegyi anyagoknak, például ólomnak való kitettséget okozhat, az ólomot pedig Kalifornia állam hatóságai a rákkeltő, születési rendellenességeket vagy más szaporodási ártalmakat okozó anyagok közé soroltak. További tudnivalóért lásd:

[www.P65Warnings.ca.gov](http://www.P65Warnings.ca.gov)

## Információ a REACH-rendelet 33. cikkéről

A vegyi anyagok regisztrálásáról, értékeléséről, engedélyezéséről és korlátozásáról szóló 1907/2006/EK rendelet (REACH) többek között az ellátási láncban történő információközlésre vonatkozó követelményeket ír elő. Az információközlési követelmény többek között a különösen veszélyes anyagokat tartalmazó termékekre irányul (a „Jelöltlista”). 2018. június 27-én az ólom (CAS-szám: 7439-92-1) is felkerült a jelöltlistára.

A fentiekkel összhangban ezúton tájékoztatjuk Önt, hogy a termékben bizonyos mechanikus részegységek ólomot tartalmazhatnak. Ez megfelel az anyagok korlátozására vonatkozó jelenlegi jogszabályoknak, és az RoHS irányelv (2011/65/EU) jogszerű kivételein alapul. Az ólom normál használat folyamán nem szivárog és nem képződik a termékből, és az ólom koncentrációja a teljes termékben jóval a vonatkozó határérték alatt van. Kérjük, hogy a termék élettartamának végén vegye figyelembe az ólom ártalmatlanságára vonatkozó helyi előírásokat.

## Biztonság

### ⚠ FIGYELEM Anyagi sérülés vagy súlyos sérülés kockázata

A szerszám használata előtt bizonyosodjon meg, hogy elolvasta, megértette és betartja az összes biztonsági utasítást. Az utasítások figyelmen kívül hagyása elektromos áramütést, tűzveszélyt, anyagi károkat és/vagy súlyos személyi sérülést okozhat.

- ▶ Olvassa el az összes, a rendszer különböző részeihez tartozó biztonsági információt.
- ▶ Olvassa el az összes termék útmutatót a rendszer különböző részeinek beszereléséhez, működtetéséhez és karbantartásához.
- ▶ Olvassa el az összes, a rendszerre és részeire vonatkozó helyi biztonsági előírásokat.
- ▶ Őrizze meg az összes biztonsági információt és utasítást jövőbeni hivatkozásként.

## Használatra vonatkozó nyilatkozat

A motort arra terveztük, hogy azt rögzített vagy mozgó gépbe építsék be. Az csak vagy balra vagy csak jobbra vagy visszafelé forgáshoz való; azt a karimára vagy a menetes orrészre kell rögzíteni - szükség szerint. Bármilyen más célú használata tilos. Kizárólag professzionális felhasználásra.

A motorok a potenciális robbanásveszélyes atmoszférában csak kis valószínűséggel viselkednek gyújtóforrásként. A felhasználó saját maga felelős az egész géppel kapcsolatos kockázatok kiértékelésére - annál a gépnél, amelybe a motort beépítették.

## Termékspecifikus utasítások

### Figyelmeztetés

#### ⚠ FIGYELEM Polimerekre vonatkozó veszélyek

A szerszám forgólapátjai PTFE-t tartalmazhatnak (szintetikus fluor-polimer). A kopás következtében a szerszám belsejében PTFE részecskék jelenhetnek meg. Melegítés hatására a PTFE gőzök polimer gőz lázat okozhatnak, náthaszerű tünetekkel, különösen szennyezett dohány szívása esetén.

A forgólapátok és más alkatrészek kezelésekor be kell tartani a PTFE-re vonatkozó munkavégési egészségi és biztonsági előírásokat.

- ▶ Ne dohányozzon e termék szervizelésekor.
- ▶ Akadályozza meg, hogy a PTFE részecskék nyílt láng, izzó tárgyak vagy meleg hatásának legyenek kitéve.
- ▶ A motor alkatrészeit tisztítófolyadékkal kell mosni, nem szabad levegővel fúvatva tisztítani.
- ▶ Mielőtt bármilyen más művelethez fogna, mosson kezet.

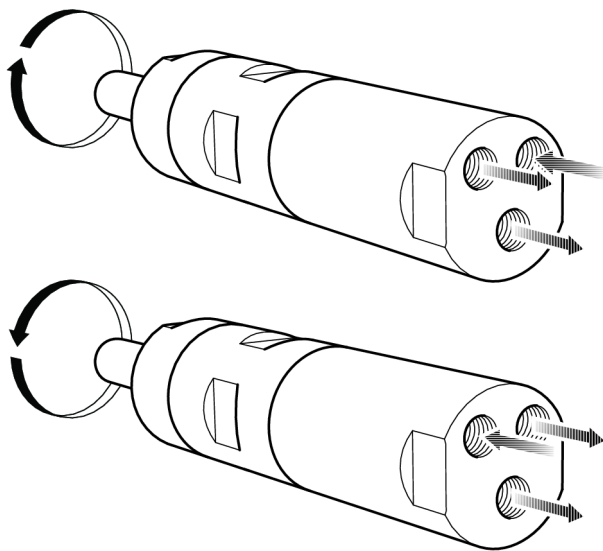
### IP-besorolás

A légmotorok IP-besorolásának meghatározása nyomás alatti állapotban történt, és a kivezetésre vagy a csatlakoztatott hangtompítóra nem terjed ki. Ha a motor vízbe merítve vagy erős vízsugárban fog működni, ajánlott a kivezetést elvezetni a vízből egy tömlővel. Ha vízbe meríti, minden esetben tartsa a motort az adott mélységhez tartozó nyomásnál magasabb nyomás alatt.

### A lézellátás csatlakoztatása

Amikor a nyomás alatt lévő levegőt a bemenethez csatlakoztatja, a forgás az ábrán látható irányba indul el. Ha a kifújott levegőt csőbe tereli, egy tömlőt kell csatlakoztatni a légkifúvó kimenethez.

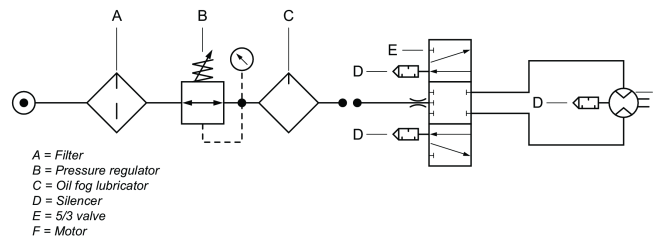
A nyomás alatt lévő levegőellátást ahhoz a bemenethez kell csatlakoztatni, amely a kívánt irányba indítja a forgást, lásd az alábbi ábrát. A nem használt bemenet kiegészítő kimenetként használható és nem szabad lezárni.



s015473

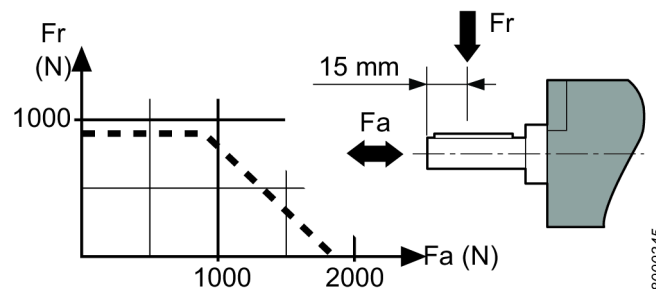
### Beszereleési rajz

Két forgásirányú motor



610575

### Tengelyterhelési ábra

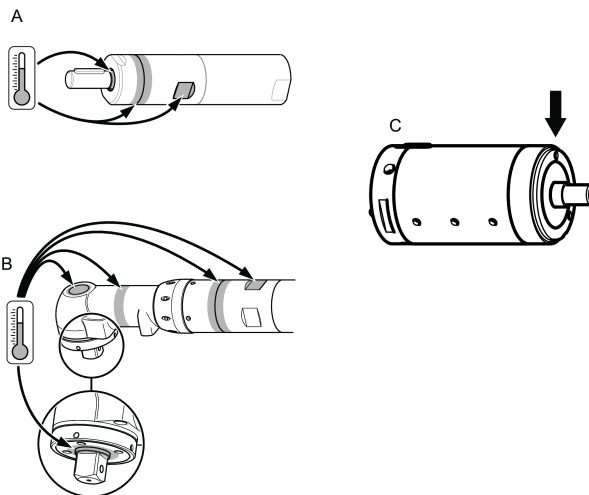


8000345

### Forró pontok

A légmotor következő forró pontjai magas hőmérsékletre melegedhetnek a működés során. A képen a különböző modellek forró pontjai láthatók:

- Tömítőgyűrű a kimenőtengelyen (A, B, C)
- Az első rész és a fogaskerékgyűrű közötti összekötő (A, B)
- Összefogó markolat (A, B)



1002026631

A motor maximális nyomás mellett, terhelés nélküli forgása esetén lépnek fel a maximális hőmérsékletek. A nyomaték növelésével csökken a légmotor fordulatszáma és a hőmérséklete.

### Figyelmeztetés

E motor használata előtt győződjön meg arról, hogy ismeri a kezelési utasításokat.

E motort, kiegészítő elemeit és tartozékait csak olyan célra szabad használni, melyre tervezték.

A termékfelelősségi és biztonsági okokból a motor vagy tartozékainak bármely olyan változtatásához, mely befolyásolhatja a termékfelelősséget, a gyártó műszaki szakértőinek hozzájárulása szükséges.

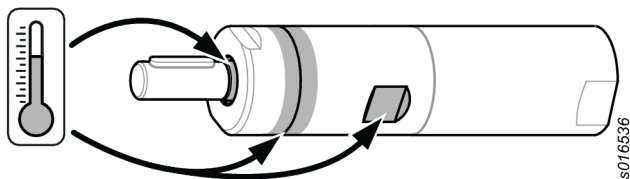
**A személyi sérülések és a hosszú távú kockázatok megelőzésére:**

- Ha a motor ATEX-tanúsítvánnyal rendelkezik, szűrőt/hangtompítót kell a motor kipufogónyílásaira szerelni.  
A zajártalom csökkentése érdekében a hangtompítók használata más alkalmazásoknál is célszerű.
- Kösse le a motort a levegővezetékéről, mielőtt bármilyen beállítást végezne rajta.
- **Vigyázzon a kezeire, hajára és ruházatára – mindig tartsa távol azokat a forgó alkatrészekről.**

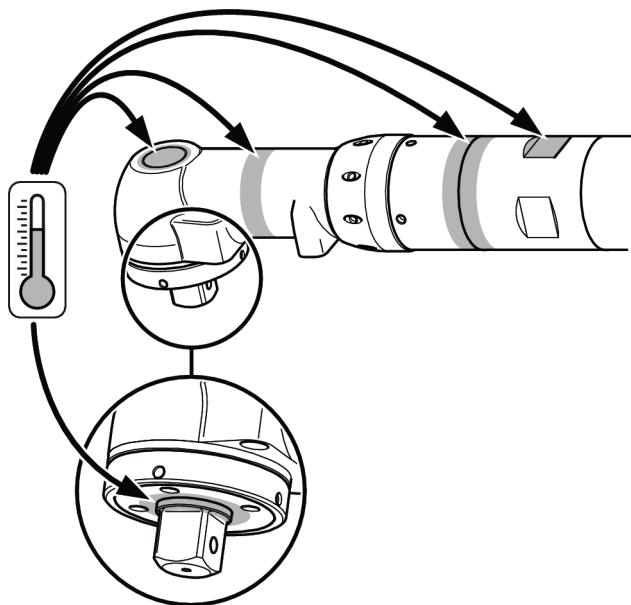
**Karbantartás**

- Ezen ATEX szerszám karbantartását és javítását kizárólag erre jogosult személy végezheti, amelyet követően legalább 5 perces üresjáratú vizsgálatot, valamint hőmérsékletmérést kell elvégezni, és az eredményeket fel kell jegyezni.

Egy 5 perces terhelés nélküli teszt után a felületi hőmérséklet nem haladhatja meg a 45°C + környezeti hőmérséklet összegét, ahol 0 – 40°C között változhat a környezeti hőmérséklet.



s016536



s016534

**Általános biztonsági utasítások**

A sérülések kockázatának csökkentése érdekében bárkinek, aki azt a szerszámot összeszereli, javítja, karbantartja, azon alkatrészt cserél vagy annak közelében dolgozik, el kell olvasnia és meg kell értenie az ebben a dokumentumban leírtakat, a munka megkezdése előtt.

Célunk, hogy olyan eszközöket gyártsunk, melyekkel biztonságosan és hatékonyan lehet dolgozni. Ehhez és bármely szerszámhoz a legfontosabb biztonsági eszköz ÖN. Az Ön körültekintő magatartása és józan ítélőképessége a legjobb védelem sérülés ellen. Minden lehetséges veszélyt nem lehet itt felsorolni, de megpróbáltuk a legfontosabbakat kiemelni.

- E szerszámgépet csak képzett és gyakorlott kezelők telepíthetik, állíthatják be vagy használhatják.
- Ezt a szerszámot semmilyen módon sem szabad megváltoztatni.
- Ne használja a szerszámot, ha sérült.
- Ha a névleges fordulatszámot és a működési nyomást tartalmazó, vagy a figyelmeztető címkék valamelyike nem olvasható, vagy leválik a szerszámról, azonnal cserélje ki.

**(i) További biztonsági információkat talál:**

- Olvassa el az eszközhöz mellékelte további dokumentumokat és információkat.
- Az Ön munkáltatójához, a szakszervezethez és/vagy szakmai egyesülethez.
- További szakmai egészségügyi és biztonsági információkat a következő weboldalakon talál:
  - <http://www.osha.gov> (USA)
  - <https://osha.europa.eu/> (Európa)

**Levegőellátó rendszerrel és csatlakozásokkal kapcsolatos veszélyek**

- A nyomás alatt lévő levegő súlyos sérüléseket okozhat.
- Ha a szerszám nincs használatban zárja el a levegő-adagolást, ürítse ki a tömlőt és válassza le az eszközt a levegő-vezetékéről bármilyen termék-beállítási művelet előtt, mint például tartozékok cseréje vagy javítások.
- Soha ne irányítsa a levegőt önmaga vagy más személyek felé
- A nyomás alatt lévő lengő tömlők komoly sérüléseket okozhatnak. Mindig ellenőrizze, hogy a tömlők és csatlakozások ne legyenek hibásak vagy meglazulva.
- Ne haladja meg a 6,3 bar / 90 psi értékű - vagy a táblán feltüntetett - maximális levegőnyomást.

**Áthurkolódás-veszély**

- Tartsa be a forgó meghajtástól a védőtávolságot! Laza ruházat, kesztyűk, ékszerek, nyaklánc vagy hajdísz viselése esetén fulladásveszély állhat be, vagy a szerszám becsípheti a haját és a bőrt.

**Kilőkódésveszély**

- Mindig viseljen ütészálló szem- és arcvédőt az eszköz használata közben, illetve a működő eszköz közelében, valamint javítás, karbantartás vagy alkatrészcsere közben.

- Ügyeljen, hogy az eszköz környezetében mindenki viseljen ütészálló szem- és arcvédőt. Ügyeljen rá, hogy a közelben tartózkodók mindnyájan viseljenek ütészálló szem- és arcvédőt!
- Biztonságosan rögzítse a munkadarabot.

#### Használat közbeni veszélyek

- Bilincselje le biztonságosan a szerszámot.
- Mielőtt a munkadarabot eltávolítaná várja meg, hogy a szerszám teljesen leálljon.
- Mindig szereljen start, stop és vészleállító vezérlőket arra a gépre, amelybe a motort/nyomaték-motort beépíti.

#### Zajártalom

- A nagy zajszint tartós halláskárosodást vagy egyéb problémákat, például fülzúgást okozhat. Használjon zajvédelmi eszközöket a munkáltató előírásai, illetve a munkaegészségügyi vagy munkabiztonsági előírások szerint.
- A zaj- és vibrációs szint szükségtelen növelésének megelőzése érdekében a szerszám működtetése közben, a tartozékok kiválasztása, karbantartása és cseréje során tartsa be az ebben az útmutatóban leírtakat.

#### Munkavégzési óvintézkedések

- A megcsúszás, megbotlás és esés a súlyos sérülés vagy halál fő oka. Ügyeljen a közlekedő és munkaterületeken levő felesleges tömlőszakaszokra!
- Ne lélegezze be a port és érintse meg a munkafolyamatból származó olyan törmelékkel, amely káros lehet egészségére (például, rák, születési rendellenességek, asztma és/vagy bőrgyulladás) Ha olyan anyagokkal dolgozik, amelyek légi úton terjedő részecskéket eredményeznek, használjon porelszívást, pld. helyi porelszívó berendezést és viseljen légzőkészüléket.
- A szerszámgeppel végzett csiszolás, vágás, simítás, fűrés vagy más építkezési tevékenységek során keletkező por olyan kémiai anyagokat tartalmaz, melyeket a Kalifornia állam hatóságai a rákkeltő, születési rendellenességeket vagy más szaporodási ártalmakat okozó anyagok közé soroltak. Ilyen kémiai anyagokra például a következők:

- Ólom az ólomtartalmú festékekből
- Kristályos szilíciumdioxid téglából, cementből és más építőanyagokból
- A gumi kémiai kezeléséből származó arzén és króm

Az ilyen kockázatoknak való kitettség attól függően változik, hogy milyen gyakran végez ilyen típusú munkát. A vegyi anyagoknak való kitettség kockázatának csökkentése érdekében: dolgozzon jól szellőztetett környezetben és használjon jóváhagyott biztonsági védőkészülékeket, mint például kifejezetten a mikroszkopikus részecskék szűrésére kidolgozott porvédő maszkok.

- Ismeretlen környezetben óvatosan mozogjon. Legyen tudában a munkavégzés során keletkező potenciális veszélyeknek! Ez a szerszám nem rendelkezik elektromos áramforrásokkal történő érintkezéshez elektromos szigeteléssel.

**NE DOBJA EL - ADJA ÁT A FELHASZNÁLÓNAK!**

#### Jelölések és öntapadó matricák

A gép jelölésekkel és matricákkal van ellátva, melyek fontos információkat tartalmaznak a személyi biztonságra és a termék karbantartására vonatkozóan. A jelölések és matricák mindig jól olvashatók legyenek. Új jelek és matricák a tartalék alkatrészek listájáról rendelhetők.



s011050

#### ATEX tanúsítványra vonatkozó információk

##### Hőmérsékletek

- A tanúsítvány max. 40 °C környezeti hőmérsékletig érvényes.
- 40 °C egyben a termékbe belépő sűrített levegő maximális megengedett hőmérséklete.
- Ha egy berendezésbe van építve a termék, akkor az egész berendezésnek meg kell felelnie a 2014/34/EU irányelveknek.
- Ellenőrizze, hogy a sűrített levegő megfelel-e a minőségi követelményeinknek (ISO/DIS 8573-1 szabvány 2.4.3. és 3.4.4 ill. 3.5.4 minőségi osztályai).
- Ne lépje túl a 6,3 bar, illetve a szerszám adattábláján megjelölt maximális nyomást. Az üzemi nyomás túllépése esetén a magasabb fordulatszám miatt megnőhet a felületi hőmérséklet, és a termék gyújtóforrássá válhat.

##### Robbanásvédelmi besorolás

Ha a termék egy eltérő robbanásvédelmi besorolású alkotóelemekből álló összeállítás részét képezi, akkor a legalacsonyabb biztonsági szint határozza meg a teljes összeállítás robbanásvédelmi besorolását.

##### Robbanásmegelőzési útmutatások

###### Tisztaság

- A csapágycsatlakozás és felület felmelegedésének megelőzése érdekében mindig tartsa tisztán a terméket a porttól és piszoktól.
- Tompító használatkor: Szereljen szűrő funkcióval rendelkező tompítót a levegőkiömlőre, hogy megakadályozza a súrlódás miatt felmelegedett részecskék környezeti levegőbe jutását.

###### Használat

- Ellenőrizze, hogy a termék földelve van-e a műhely egyenpotenciálú bekötési rendszeréhez, például olyan eszközök segítségével mint tömlők vagy légnyomásvezető csatlakozások.
- A potenciálisan robbanásveszélyes környezetben a termékhez használt eszközök, például csavarkulcsok és légvezető csatlakozások hivatalos előírásoknak való megfelelésének biztosítása a felhasználó felelőssége.

**Az ATEX-kód meghatározása****Az ATEX-kód:**

Ex II 2 G Ex h IIC T6 Gb  
 Ex II 2 D Ex h IIIC T85°C Db  
 $^{\circ}\text{C} \leq \text{Ta} \leq 40^{\circ}\text{C}$

Leírás	Érték	Meghatározás
Berendezéscsoport	<b>II</b>	Felületmegmunkálás
Berendezéskategória	<b>2</b>	Magas fokú védelem
<b>II. csoport</b>		<ul style="list-style-type: none"> <li>• 1. zóna (gáz)</li> <li>• 2. zóna (gáz)</li> <li>• 21. zóna (por)</li> <li>• 22. zóna (por)</li> </ul>
Légkör	<b>G</b>	Gázt, gőzöket és ködöt tartalmazó légkör
	<b>D</b>	Port tartalmazó légkör
Biztonsági tervezés	<b>H</b>	Mechanikus termék
Gázcsoport	<b>IIC</b>	Hidrogén/acetilén
	<b>IIB</b>	Etilén
Porcsoport	<b>IIIC</b>	Felületi éghető por
Maximális felületi hőmérséklet <b>gáztartalmú</b> légkörben		<b>T1</b> = 450°C <b>T2</b> = 300°C <b>T3</b> = 200°C <b>T4</b> = 135°C <b>T5</b> = 100°C <b>T6</b> = 85°C
Maximális felületi hőmérséklet <b>portartalmú</b> légkörben		Például szolgáló hőmérsékletek: T85°C T110°C T120°C T125°C T240°C
Különleges korlátozás, például környezeti hőmérséklet tartománya.	<b>X</b>	

**Hasznos információk****Weboldal**

Jelentkezzen be itt: Atlas Copco: [www.atlascopco.com](http://www.atlascopco.com).

A termékeinkre, tartozékainkra, pótalkatrészeinkre és köz-zétett anyagainkra vonatkozó tudnivalókat találhat a webhelyünkön.

**Származási ország**

Kérjük, tájékozódjon a termékcímkén feltüntetett információkból.

**Jótállás**

- A termék jótállása a termék első használatba helyezésétől számított 12 hónap után jár le, de a termék szállításától számítva legfeljebb 13 hónapig érvényes.
- A jótállás alá nem tartozik az alkatrészek normál elhasználódása.
  - Az adott időtartamra (amely időtartamban, működési órában vagy egyéb formában van megadva) tipikusan jellemző standard szerszám-karbantartási műveletek között alaktrészcsere vagy egyéb beállítást/nagyjavítást igénylő állapot a rendes kopás és elhasználódás.
- A termék jótállása a helyes használaton, karbantartáson, valamint a szerszámgép és alkatrészei javításán alapul.
- A nem megfelelő karbantartás, vagy - a Jóváhagyott szervizpartnerektől eltérő - harmadik fél által végzett karbantartás miatt fellépő meghibásodásra a jótállási periódusban a Atlas Copco jótállás nem vonatkozik.
- A szerszámgép alkatrészeinek károsodása vagy tönkremenetele elkerülése érdekében a szerszámgépet a javasolt karbantartási ütemterv szerint szervizelje, pontosan betartva az utasításokat.
- A jótállási munkákat kizárólag Jóváhagyott szervizpartner végezheti, Atlas Copco javítóműhelyben.

A Atlas Copco kiterjesztett jótállást és magas szintű megelőző karbantartást is kínál ToolCover szerződéseken keresztül. További információkért forduljon a helyi értékesítési képviselőhöz.

Elektromotorok esetében:

- A jótállás csak akkor érvényes, ha az elektromotort nem nyitották ki.

**ServAid**

A ServAid portál technikai információkat kínál az összes hardver- és szoftvertermékhez – például a következőket:

- szabályozási és biztonsági információk
- műszaki adatok
- szerelési, üzemeltetési és szervizútmutatók
- cserealkatrészlisták
- tartozékok

A ServAid folyamatosan frissül, és a következő címen érhető el: <https://servaid.atlascopco.com>

További információért forduljon az Atlas Copco helyi képviselőjéhez.

**Biztonsági adatlapok MSDS/SDS**

A biztonsági adatlapok az Atlas Copco által értékesített vegyi termékek leírását tartalmazzák.

További információért, lásd a következő weboldalt: [www.atlascopco.com/sds](http://www.atlascopco.com/sds)

## Technični podatki

### Technični podatki

Kataloška št.	8411033965
Model	LZB34-RL-AR005-11
Poraba zraka pri prosti hitrosti l/s	
Poraba zraka pri prosti hitrosti cfm	
Poraba zraka pri največji izhodni moči	7.9 l/s
Poraba zraka pri največji izhodni moči	16.8 cfm
Zavorni navor	Nm
Zavorni navor	ft lb
Vgrajena zavora	No
Material zunanjih delov	Stainless steel
Prosta hitrost	450 obr/min
Maks. izhodna moč	0.25 kW
Maks. izhodna moč	0.34 hp
Min. začetni navor	12.6 Nm
Min. začetni navor	9.3 ft lb
Razmerje	
Smer vrtenja	Reversible
Koda obremenitve telesa	c
Tip telesa	Keyed
Hitrost pri maks. moči	240 obr/min
Zastojni navor	19.6 Nm
Zastojni navor	14.5 ft lb
Navor pri maks. izhodni moči	9.8 Nm
Navor pri maks. izhodni moči	7.2 ft lb
Tip kril	Lubrication free
Teža	1.2 kg
Teža	2.65 lb
Vhodna cev	10 mm
Vhodna cev	0.4 palcev
Kategorija zaščite pred vdorom (IP)	IP66/IP68/IP69
Izhodna cev	10 mm
Izhodna cev	0.4 palcev
Ocena IP	IP66/IP68/IP69

### Ocena IP

Ocena IP zračnih motorjev velja za mehansko ohišje v skladu s standardom IEC 60529. Ocena IP ne pokriva odpornosti površine na korozijo ali druge tekočine, razen odpornosti na čisto sladko vodo.

## Izjave

### EU IZJAVA O VGRADNJI

V družbi **Atlas Copco Industrial Technique AB**, SE-105 23 STOCKHOLM SWEDEN, izključno na lastno odgovornost izjavljamo, da je ta izdelek (z imenom, tipom in serijsko številko, glej naslovnico) v skladu z naslednjimi ključnimi zahtevami Direktive o strojih 2006/42/EC:

2006/42/EC (Annex I, clauses 1.1, 1.2 (excluding 1.2.4.3), 1.3, 1.4, 1.5, 1.6, 1.7)

In da je ta delno sestavljeni stroj skladen z določili naslednje druge oz. drugih Direktiv EU: 2014/34/EU (ATEX)

Te delno dokončane strojne opreme se ne sme uporabljati, dokler celotni sestav, v katerega bo vgrajena, ni potrjeno skladen z zahtevami Direktive o strojih 2006/42/ES, kjer je to smiselno.

Uporabljeni so naslednji evropski usklajeni standardi, oz. deli ali klavzule teh standardov:

EN 1127-1:2019, EN ISO 12100:2010, EN ISO 80079-36:2016, EN ISO 80079-37:2016

Relevantna tehnična dokumentacija je bila sestavljena in predložena skladno z delom B priloge VII direktive o strojih 2006/42/ES in odstavka (ii) dela (b) prve točke 13. člena direktive ATEX 2014/34/EU v Notified Body ExVeritas ApS (identifikacijska št. v EU 2804) na Danskem. Pristojni organ lahko zaprosi tehnični dokument za ATEX 2014/34/EU direktivo v papirni obliki pri: <meta-ref type="dynamic" name="AC.ITBA.CompanySpecific.tech\_file\_availability">[Company Specific Technical file availability]</meta-ref>

<https://www.exveritas.com/2022/02/02/what-you-need-for-atex-and-ukca-explosive-atmosphere-certification-for-the-uk-and-eu-markets/>

Stockholm, 1 September 2023

**Håkan Andersson, Managing Director**

Podpis izdajatelja



### lokalne zahteve

#### **⚠ OPOZORILO**

Ta izdelek vas lahko izpostavi kanikalijam, vključno s svincem, ki po vedenju države Kalifornije povzroča raka in okvare ob rojstvu oz. druge reproduktivne težave. Za več informacij obiščite [www.P65Warnings.ca.gov](http://www.P65Warnings.ca.gov)

### Informacije o 33. členu v sistemu REACH

Evropska uredba (EU) št. 1907/2006 o registraciji, evalvaciji, avtorizaciji in omejevanju kemikalij (REACH) med drugim določa zahteve glede obveščanja znotraj dobavne verige. Zahteve po obveščanju veljajo tudi za izdelke, ki vsebujejo t.i.

snovi, ki zbuja veliko skrb («seznam kandidatov»). 27. 06. 2018 je bil na seznam kandidatov dodan svinec (CAS nr 7439-92-1).

Skladno z zgoraj navedenim vas obveščamo, da lahko določene mehanske komponente izdelka vsebujejo svinec. To je v skladu s trenutno zakonodajo o omejevanju snovi in na osnovi zakonitih izjem v direktivi RoHS (2011/65/EU). Svinec med običajno uporabo ne bo iztekal ali mutiral iz izdelka, koncentracija svinca v celotnem izdelku pa je bistveno nižja od veljavne mejne vrednosti. Prosimo, pri odstranjevanju svinca ob koncu življenjske dobe izdelka upoštevajte lokalne zahteve.

## Varnost

### **⚠ OPOZORILO Nevarnost premoženjske škode ali hudih telesnih poškodb**

Pred uporabo orodja morate prebrati, razumeti in upoštevati vsa navodila. Če navodil ne upoštevate, lahko pride do električnega udara, požara, premoženjske škode in/ali hudih telesnih poškodb.

- ▶ Preberite vsa varnostna navodila, ki so priložena posameznim delom sistema.
- ▶ Preberite vsa navodila izdelka v zvezi z namestitvijo, uporabo in vzdrževanjem posameznih delov sistema.
- ▶ Preberite vse lokalno zakonsko določene varnostne predpise glede sistema in njegovih delov.
- ▶ Vse informacije glede varnosti shranite za uporabo v prihodnosti.

### **Izjava o uporabi**

Ta motor je oblikovan za vgraditev v nepremičen ali pre-mičen stroj. Namenjen je samo za levosučno vrtenje, desno-sučno vrtenje ali reverzibilno vrtenje in ga je treba namestiti s prirobnico ali konico z navojem, kot je primerno. Druge uporabe niso dovoljene. Samo za profesionalno uporabo.

Tveganje, da bi motor postal vir vžiga morebitno eksplozivne atmosfere je izjemno majhno. Uporabnik nosi odgovornost ovrednotenja tveganj, ki so povezana s celotnim strojem, v katerega je treba vgraditi motor.

## Navodila, specifična za izdelek

### Opozorilo

#### **⚠ OPOZORILO Nevarnost polimerov**

Notranji deli izdelka vsebujejo PTFE (sintetični fluo-ropolimer - teflon). Zaradi obrabe se v notranjosti izdelka lahko delci PTFE. Pri segrevanju ti delci proizvajajo pare, ki povzročajo vročico, podobno simptomom gripe, še posebej v primeru, če kadite kontaminirane tobačne izdelke.

Pri izpostavljenosti tovrstnim okoljem morate upoštevati zdravstvene predpise za PTFE okolja.

- ▶ Med servisiranjem tega izdelka ne kadite
- ▶ Delci PTFE ne smejo priti v stik z odprtim ognjem, viri žarenja ali vročino
- ▶ Dele motorja morate oprati s čistilno raztopino in ne izpihati z zrakom
- ▶ Pred začetkom kakršne koli druge aktivnosti si temeljito operite roke

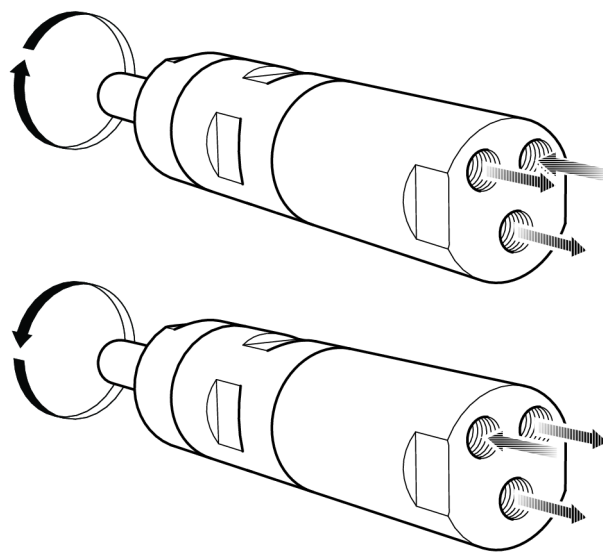
### Ocena IP

Ocena IP zračnih motorjev je nastavljena v stanju pod pritiskom in ne vključuje odvoda ali pritrdjenega glušnika. Če bo motor obratoval pod vodo ali pod močnimi curki vode, priporočamo, da odvod s cevjo speljete stran od vode. Kadar motor obratuje pod vodo, naj bo vedno pod pritiskom, večjim od pritiska v dani globini.

### Priključitev dovajanja zraka

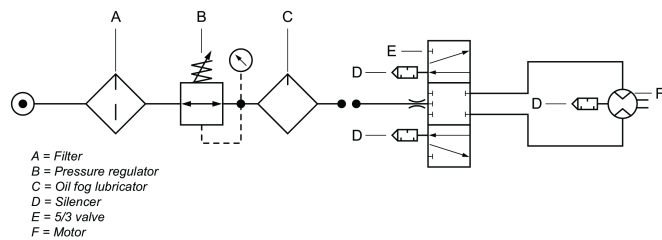
Če je na vhod priključen dovod stisnjene zraka, bo smer vrtenja enaka, kot je prikazano na spodnji sliki. Če morate izpušno cev speljati stran, morate na izpušni izhod priključiti cev.

Dovod stisnjene zraka je treba priključiti na ustrezen vhod za želeno smer vrtenja; glejte sliko spodaj. Vhod, ki ni v uporabi, deluje kot dodaten izhod, in se ga ne sme zamašiti.

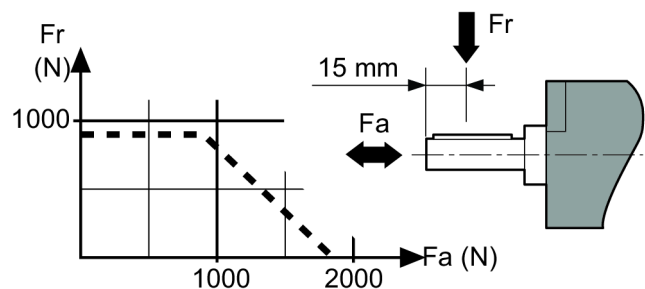


### Skica namestitve

Reverzibilni motor



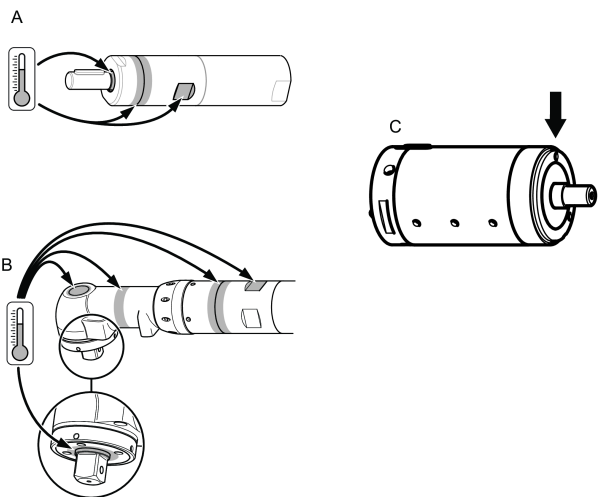
### Diagram obremenitve grede



### Vroče točke

Naslednje vroče točke na motorju lahko med uporabo dosežejo visoke temperature. Slika prikazuje vroče točke za določene modele:

- Tesnilni obroč pri delovni gredi (A, B, C)
- Zglob med sprednjim delom in obročem menjalnika (A, B)
- Prijemno mesto za ključ (A, B)



Do najvišjih temperatur pride, kadar motor deluje ob polnem tlaku brez obremenitve. S povečanjem navora se zmanjša vrtilna hitrost in temperatura zračnega motorja.

### Opozorilo

Poskrbite, da boste pred uporabo tega motorja seznanjeni z navodili za uporabo.

Ta motor, njegove priključke in dodatke se lahko uporablja samo za predviden namen.

Zaradi razlogov odgovornosti in varnosti, povezanih z izdelkom, se je treba v vseh spremembah motorja ali njegovih dodatkov, ki lahko imajo vpliv na odgovornost za izdelek, dogovoriti s tehnično odgovorno osebo proizvajalca.

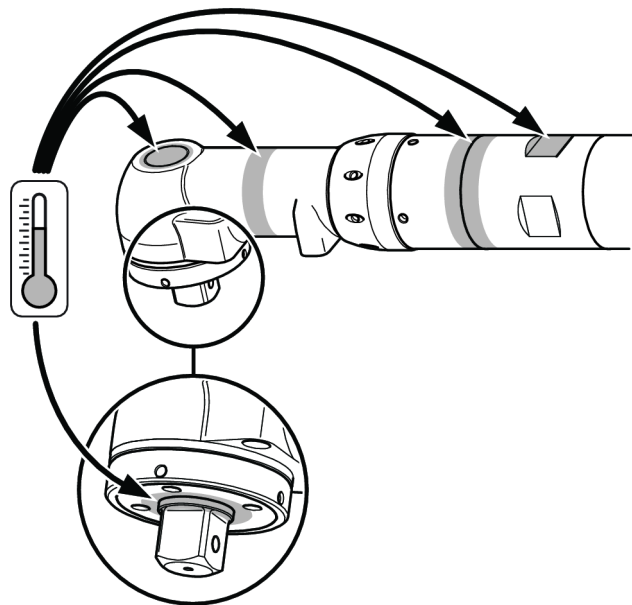
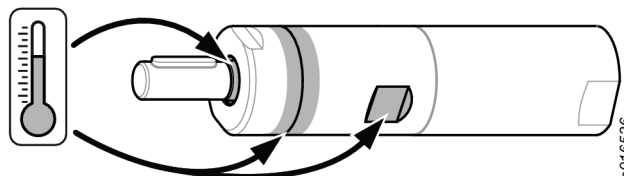
### Za preprečitev osebnih poškodb in dolgoročnih tveganj:

- Če ima motor certifikat ATEX, je treba na izhodnih odprtinah motorja namestiti filtre/glušnike.  
Glušniki so priporočeni tudi za druge aplikacije, kjer zmanjšajo izpostavljenost hrupu.
- Pred vsako operacijo nastavljanja morate motor odklopiti s cevi za zrak.
- Pazite na roke, lase in obleko – vedno se držite proč od vrtečih se delov.

### Vzdrževanje

- Vzdrževanja in popravila tega zračnega motorja ATEX lahko izvaja izključno samo pooblaščen osebje, nato pa je treba izvesti test brez obremenitve in merjenje temperature vročih točk (kot je vidno na sliki) in rezultate zabeležiti v protokol.

Po 5 min testu brez obremenitve temperatura ne sme preseči vsote  $45^{\circ}\text{C} +$  okoliška temperatura, kjer se lahko okoliška temperatura giblje med  $0 - 40^{\circ}\text{C}$ .



### Splošna varnostna navodila

Da bi zmanjšali nevarnost poškodb, mora vsakdo, ki bo uporabljal, nameščal, popravil, vzdrževal, menjal dodatno opremo na, ali delal v bližini tega orodja, prebrati in razumeti ta navodila, preden začne opravljati katerokoli od navedenih dejanj.

Naš cilj je proizvodnja orodij, ki vam pomagajo delati varno in učinkovito. Najpomembnejša varnostna naprava za to ali katerokoli drugo orodje ste VI sami. Vaša skrb in preudarnost sta najboljša zaščita pred poškodbami. V tem priročniku ni mogoče pokriti vseh možnih nevarnosti, vendar smo poskusili poudariti nekatere od važnejših.

- To orodje naj namestijo, uravnavajo in uporabljajo le usposobljeni uporabniki.
- Tega orodja in priključkov ne smete spreminjati.
- Če je orodje poškodovano, ga ne uporabljajte.
- Če postanejo znaki za nazivno hitrost, delovni tlak ali opozorila na nevarnosti neberljivi ali odpadejo, jih morate takoj zamenjati.

### **i** Za dodatne varnostne informacije si pomagajte z:

- Drugimi dokumenti in podatki, ki so priloženi orodju.
- Vašim delodajalcem, sindikatom in/ali panožnim združenjem.
- Dodatne varnostne informacije in informacije s področja medicine dela lahko dobite na naslednjih spletnih straneh:
  - <http://www.osha.gov> (ZDA)
  - <https://osha.europa.eu/> (Evropa)

### Nevarnosti dovoda zraka in priključkov

- Zraka nikoli ne usmerjajte proti sebi ali drugi osebi.
- Ko zaključite z delom, preden zamenjate priključke ali pred popravilom vedno zaprite dovod zraka, sprostite pritisk v zračni cevi in orodje odklopite od dovoda zraka.
- Zraka nikoli ne usmerjajte proti sebi ali drugi osebi.
- Gibke cevi lahko povzročijo hude poškodbe. Vedno preglejte, ali so oprema in cevi poškodovane oziroma slabo pritrjene.
- Ne presežite največjega zračnega pritiska 6,3 bara/90 psig ali kot je navedeno na označevalni tablici orodja.

### Tveganja zaradi zapletanja

- Ne približujte se vrtečemu se pogonu. Če ohlapna oblačila, rokavice, nakit, ogrlice in lase približate orodju in dodatkom, lahko pride do dušenja, izpuljenja las in ali ran.

### Tveganja zaradi izvrženih kosov

- Vedno nosite na udarce odporno zaščito za oči in obraz, če delate s tem orodjem, na njem opravljate popravila ali vzdrževanje, menjate priključke ali se samo nahajate v njegovi bližini.
- Preverite, ali zaščito za oči in obraz, ki je odporna na izvržene predmete, nosijo vsi okoli vas. Tudi majhen izvržen predmet lahko oči poškoduje in povzroči slepoto.
- Poskrbite za dobro pritrditev obdelovanca.

### Tveganja pri delu

- Orodje dobro vpnite.
- Preden odstranite obdelovanec morate poskrbeti, da bo orodje popolnoma zaustavljeno.

- Na stroj, v katerega vgradite ta motor, vedno namestite nadzorne elemente za zaustavitev pri zagonu, zaustavitvi in za zasilno zaustavitev.

### Nevarnosti hrupa

- Visoke ravni zvoka lahko povzročijo trajno izgubo sluha in druge težave, kot so tinitus. Uporabljajte zaščito za ušesa, kot jo priporoča delodajalec ali predpisi o poklicnem zdravju in varnosti.
- Za preprečitev nepotrebnega povečanja ravni hrupa, orodje upravljajte in vzdržujte, dodatke in potrošni material pa izberite, vzdržujte in zamenjajte skladno s tem priročnikom z navodili.

### Tveganja na delovnem mestu

- Zdrs / spotik / padec so glavni vzroki za resne poškodbe ali celo smrt. Pazite na cevi, puščene na hodniku ali na delovni površini.
- Izogibajte se vdihavanju prahu ali hlapov ostankov iz delovnega procesa, ki lahko povzročijo poslabšanje zdravja (na primer, raka, dedne okvare, astmo in/ali dermatitis). Kadar delate z materiali, ki ustvarjajo leteče delce, uporabite sistem za odsesavanje prahu in nosite zaščito za dihalo.
- Mogoče je, da bo prah, ki nastane pri peskanju, žaganju, brušenju, vrtnanju ali drugih gradbenih dejavnostih, vseboval kemikalije, za katere je v zvezni državi Kaliforniji znano, da povzročajo raka, napake pri rojstvu ali druge razmnoževalne poškodbe. Nekateri primeri teh kemikalij so:

- svinec iz barv na svinčeni osnovi
- kristalinične kremenove opeke in cement ter drugi zidarski proizvodi
- Arzen in krom s kemijsko obdelane gume

Vaše tveganje pri teh izpostavljanjih je različno, odvisno od tega, kako pogosto opravljate ta tip dela. Za zmanjšanje vaše izpostave tem kemikalijam: delajte v dobro prezračnem prostoru ter uporabljajte odobreno zaščitno opremo, kot so maske za prah, ki so izrecno namenjena za filtriranje mikroskopskih delcev.

- V nepoznanih okoliščinah, bodite izjemno previdni. Zavedajte se mogočih nevarnosti, ki jih lahko ustvarite s svojimi delovnimi aktivnostmi. To orodje ni izolirano pred stikom z viri električnega toka.

---

## NE ZAVRZITE – PREDAJTE UPORABNIKU

---

### Znaki in nalepke

Izdelek je opremljen z znaki in nalepkami, ki vsebujejo pomembne informacije o osebni varnosti in o vzdrževanju izdelka. Nalepke in znaki morajo biti vedno dobro berljivi. Nove znake in nalepke lahko naročite s pomočjo seznama rezervnih delov.



## Informacije o certifikatu ATEX

### Temperature

- Največja okoliška temperatura, pri kateri je certifikat veljaven, je 40°C.
- 40°C je tudi največja dovoljena temperatura stisnjene zraka pri vstopu v izdelek.
- Če je izdelek nameščen v opremi, mora celotna oprema ustrezati direktivi 2014/34/EU.
- Poskrbite, da bo stisnjen zrak ustrezal našim zahtevam glede kakovosti (razredi kakovosti 2.4.3. in 3.4.4 ter 3.5.4 skladno s standardom ISO/DIS 8573-1:2010).
- Ne presežite največjega pritiska 6,3 bara ali kot je navedeno na označevalni tablici izdelka. Če presežete delovni tlak, lahko pride do povečanja površinske temperature zaradi večje hitrosti vrtenja, izdelek pa lahko postane vir vžiga.

### Razred eksplozijske zaščite

Če je izdelek del sklopa, v katerem imajo sestavni deli različne razrede eksplozijske zaščite, potem komponenta z najnižjo stopnjo varnosti opredeljuje razred eksplozijske zaščite celotnega sklopa.

### Smernice za preprečevanje eksplozij

#### Čistoča

- Poskrbite, da izdelek ne bo prišel v stik s prahom in umazanijo, da se prepreči povečana temperatura ležajev in površine.
- Če uporabljate dušilec zvoka: poskrbite, da se bo namestilo dušilec z učinkom filtriranja na zračnem izhodu, da se delcem, segretim zaradi trenja, prepreči vstop v okoliško ozračje.

#### Uporaba

- Izdelek mora biti ozemljen z ekvipotencialnim povezovalnim sistemom delavnice, na primer preko ustreznih pripomočkov, kot so cevi in tlačne zračne povezave.
- Odgovornost uporabnika je, da poskrbi, da vsi možni pripomočki za izdelek, kot so ključi in zračni priključki, ustrezajo nacionalnim varnostnim predpisom za opremo, ki se uporablja v morebitnih eksplozivnih območjih.

### Opredelitev kode ATEX

Koda ATEX je:



Ex II 2 G Ex h IIC T6 Gb

Ex II 2 D Ex h IIIC T85°C Db

°C ≤ Ta ≤ 40 °C

Opis	Vrednost	Opredelitev
Skupina opreme	<b>II</b>	Površinska industrija

Opis	Vrednost	Opredelitev
Kategorija opreme	<b>2</b>	Visoka stopnja zaščite
Skupina II		<ul style="list-style-type: none"> <li>cona 1 (plin)</li> <li>cona 2 (plin)</li> <li>cona 21 (prah)</li> <li>cona 22 (prah)</li> </ul>
Ozračje	<b>G</b>	Ozračje, ki vsebuje plin, hlape ali meglice
	<b>D</b>	Ozračje, ki vključuje prah
Varnostno načrtovanje	<b>h</b>	Mehanski izdelek
Skupina plinov	<b>IIC</b>	Vodik/acetilen
	<b>IIB</b>	Etilen
Skupina prahu	<b>IIIC</b>	Površinski vnetljiv prah
Maks. površinska temperatura v <b>plinskem</b> ozračju		<b>T1</b> = 450 °C <b>T2</b> = 300°C <b>T3</b> = 200°C <b>T4</b> = 135 °C <b>T5</b> = 100°C <b>T6</b> = 85°C
Maks. površinska temperatura v <b>prašnem</b> ozračju		Primeri temperatur: <b>T85</b> °C <b>T110</b> °C <b>T120</b> °C <b>T125</b> °C <b>T240</b> °C
Posebne omejitve, na primer obsega temperature okolišice.	<b>X</b>	

## Koristne informacije

### Spletno mesto

Prijavite se v sistem Atlas Copco: [www.atlascopco.com](http://www.atlascopco.com).

Tu lahko najdete informacije o naših izdelkih, dodatkih, rezervnih delih in izdanem materialu na naši spletni strani.

### Država izvora

Glejte informacije na oznaki izdelka.

### Garancija

- Garancija na izdelek poteče v 12 mesecih po prvi uporabi izdelka, v vsakem primeru pa najkasneje 13 mesecev po dostavi.
- Običajna obraba delov ni vključena v garancijo.

- Običajna obraba je tiste vrste obraba, pri kateri je treba zamenjati del ali drugače nastaviti/izvesti remont med standardnim vzdrževanjem orodja, ki je tipično za dano obdobje (določeno s časom, obratovalnimi urami ali drugače)
- Garancija na izdelek je povezana s pravilno uporabo, vzdrževanjem in popravilom orodja ter delov komponent.
- Poškodba delov, do katere pride kot posledica nezadostnega vzdrževanja ali vzdrževanja, ki ga izvedejo stranke, ki niso Atlas Copco, ali njihovi pooblašeni servisni partnerji med garancijskim obdobjem, ni zajeta v garancijo.
- Če se želite izogniti poškodbam ali uničenju delov orodja, ga morate servisirati v skladu s priporočenimi urniki vzdrževanja in upoštevati prava navodila.
- Garancijska popravila se lahko izvajajo samo v delavnicah Atlas Copco, izvajajo pa jih lahko samo pooblašeni servisni partnerji.

nudi prek svojih stikov z družbo Atlas Copco ToolCover podaljšano garancijo in po tehničnem stanju najsodobnejše preventivno vzdrževanje. Za več informacij stopite v stik s svojim lokalnim servisnim predstavnikom.

Za električne motorje:

- Garancija velja samo, če se električnega motorja ne odpira.

## ServAid

Na portalu ServAid se nahajajo tehnični podatki za vso strojno in programsko opremo, na primer:

- Regulativne in varnostne informacije
- Tehnični podatki
- navodil za namestitev, uporabo in servisiranje
- Sezname nadomestnih delov
- Dodatki

Portal ServAid se stalno posodablja in se nahaja na: <https://servaid.atlascopco.com>

Za več informacij se obrnite na vašega lokalnega zastopnika za Atlas Copco.

## Varnostni listi MSDS/SDS

V varnostnem listu so opisani kemičnih izdelkov, ki jih prodaja družba Atlas Copco.

Za več informacij si oglejte spletno mesto: [www.atlascopco.com/sds](http://www.atlascopco.com/sds)

## Date tehnice

### Date tehnice

Nr. comandă	8411033965
Model	LZB34-RL-AR005-11
Consum de aer la turație în gol	l/s
Consum de aer la turație în gol	cfm

Consum de aer la putere maximă	7.9 l/s
Consum de aer la putere maximă	16.8 cfm
Cuplu frânare	Nm
Cuplu frânare	ft lb
Frâna integrată	No
Material componente externe	Stainless steel
Turație la gol	450 r/min
Putere maximă	0.25 kW
Putere maximă	0.34 hp
Cuplu minim de pornire	12.6 Nm
Cuplu minim de pornire	9.3 ft lb
Raport	
Sens de rotație	Reversible
Cod încercare ax	c
Tip ax	Keyed
Turație la putere maximă	240 r/min
Cuplu de blocare	19.6 Nm
Cuplu de blocare	14.5 ft lb
Cuplu la putere maximă	9.8 Nm
Cuplu la putere maximă	7.2 ft lb
Tip ventilator	Lubrication free
Greutate	1.2 kg
Greutate	2.65 lb
Furtun admisie	10 mm
Furtun admisie	0.4 in
Clasa de protecție la infiltrare	IP66/IP68/IP69
Furtun ieșire	10 mm
Furtun ieșire	0.4 in
Clasă IP	IP66/IP68/IP69

## Clasificarea IP

Clasificarea IP a motoarelor pneumatice se referă la carcasa mecanică conform standardului IEC 60529. Clasificarea IP nu acoperă rezistența la coroziune sau alte lichide diferite de apă dulce, curată.

## Declarații

### DECLARAȚIA DE ÎNCORPORARE UE

Noi, **Atlas Copco Industrial Technique AB**, SE-105 23 STOCKHOLM SWEDEN, declarăm pe propria răspundere că acest produs (cu denumirea, tipul și numărul de serie, vezi prima pagină) satisface următoarele cerințe esențiale ale Directivei privind echipamentele tehnice 2006/42/CE:

2006/42/EC (Annex I, clauses 1.1, 1.2 (excluding 1.2.4.3), 1.3, 1.4, 1.5, 1.6, 1.7)

Și că acest utilaj parțial complet este conform cu prevederile următoarei/următoarelor Directive UE: 2014/34/EU (ATEX)

Acest echipament parțial complet, nu trebuie pus în funcțiune până când ansamblul final în care trebuie integrat nu este declarat conform cu prevederile Directivei privind echipamentele tehnice 2006/42/CE, dacă este cazul.

S-au aplicat următoarele standarde europene armonizate (părți/clauze):

EN 1127-1:2019, EN ISO 12100:2010, EN ISO 80079-36:2016, EN ISO 80079-37:2016

Documentația tehnică aferentă a fost compilată și comunicată în conformitate cu Directiva privind mașinile 2006/42/CE partea B a Anexei VII și cu Directiva 2014/34/UE Articolul 13 (1) b) ii de către agenția de certificare ExVeritas ApS (nr. identificare UE 04 2804) din Danemarca. Autoritățile pot solicita dosarul tehnic pentru Directiva ATEX 2014/34/UE în format fizic de la:

<https://www.exveritas.com/2022/02/02/what-you-need-for-atex-and-ukca-explosive-atmosphere-certification-for-the-uk-and-eu-markets/>

Stockholm, 1 September 2023

**Håkan Andersson, Managing Director**

Semnătura emitentului



## cerințe regionale

### **⚠️ AVERTISMENT**

Acest produs vă poate expune la substanțe chimice, inclusiv plumb, care este cunoscut Statului California ca fiind cauzator de cancer și de defecte la naștere sau de alte efecte nocive asupra funcției de reproducere. Pentru mai multe informații, accesați [www.P65Warnings.ca.gov](http://www.P65Warnings.ca.gov)

## Informații referitoare la Articolul 33 din REACH

Regulamentul European (UE) Nr. 1907/2006 privind Înregistrarea, Evaluarea, Autorizarea și restricționarea Substanțelor chimice (REACH) definește, printre altele, cerințele privind comunicarea din lanțul de aprovizionare. Cerința privind informarea se aplică și la produsele care conțin așa numitele Substanțe care prezintă motive de îngrijorare deosebită („Listă a substanțelor identificate în vederea unei eventuale includeri în procedura de autorizare”). Pe 27 iunie 2018 plumbul metal (CAS nr 7439-92-1) a fost adăugat la Lista substanțelor identificate în vederea unei eventuale includeri în procedura de autorizare.

Urmare a celor de mai sus, prin prezenta vă informăm că anumite componente mecanice din acest produs pot conține plumb metal. Aceasta este în conformitate cu legislația curentă privind restricția substanțelor și în baza excepțiilor legitime din Directiva RoHS (2011/65/UE). Plumbul metal nu se va scurge sau va suferi mutații din produs în timpul utilizării normale, concentrația de plumb metal din produsul finit

este mult sub limitele prevăzute. Să aveți în vedere cerințele locale privind eliminarea plumbului la încheierea duratei de exploatare a produsului.

## Siguranța

### **⚠️ AVERTISMENT Risc de deteriorare a obiectelor deținute sau de vătămare gravă**

Asigurați-vă că ați citit, ați înțeles și că sunt respectate toate instrucțiunile înainte de a utiliza unealta. Nerespectarea în totalitate a instrucțiunilor poate cauza electrocutare, incendiu, pagube materiale și/sau vătămări corporale grave.

- ▶ Citiți toate Informațiile referitoare la siguranță, livrate împreună cu diferitele componente ale sistemului.
- ▶ Citiți toate Instrucțiunile referitoare la produs pentru instalarea, utilizarea și întreținerea diferitelor componente ale sistemului.
- ▶ Citiți toate reglementările locale în vigoare privind siguranța sistemului și componentelor acestuia.
- ▶ Păstrați toate Informațiile și instrucțiunile privind siguranța, pentru consultări ulterioare.

## Declarație privind utilizarea

Acest motor este proiectat pentru a fi integrat într-o mașină fixă sau mobilă. Motorul este pentru rotație exclusivă la dreapta, exclusivă la stânga sau rotație reversibilă și trebuie montat numai pe flanșă sau pe capătul filetat, în funcție de necesități. Nu este permis niciun alt scop de utilizare. Numai pentru uz profesional.

Riscul ca motorul să constituie sursa de aprindere a unei atmosfere potențial explozive este extrem de redus. Utilizatorul este răspunzător pentru evaluarea riscurilor totale asociate unelei în care va fi încorporat motorul.

## Instrucțiuni specifice produsului

### Atenție

### **⚠️ AVERTISMENT Pericole asociate polimerilor**

Lamelele folosite la acest produs conțin PTFE (un fluoropolimer sintetic). Din cauza uzurii, este posibil să apară particule de PTFE în interiorul produsului. PTFE încălzit poate genera vapori ce pot provoca febră, având simptome similare cu răceala, în special dacă se fumează tutun contaminat.

În cazul manipulării acestor lamele, dar și a altor componente, trebuie respectate recomandările de sănătate și securitate referitoare la PTFE.

- ▶ Nu fumați în timpul lucrărilor de service
- ▶ Evitați ca particulele PTFE să intre în contact cu focul, obiecte incandescente sau căldură
- ▶ Componentele motorului trebuie spălate cu soluție de curățat. A nu se curăța prin suflare cu un furtun cu aer.
- ▶ Înainte de a demara orice operațiune, spălați-vă pe mâini.

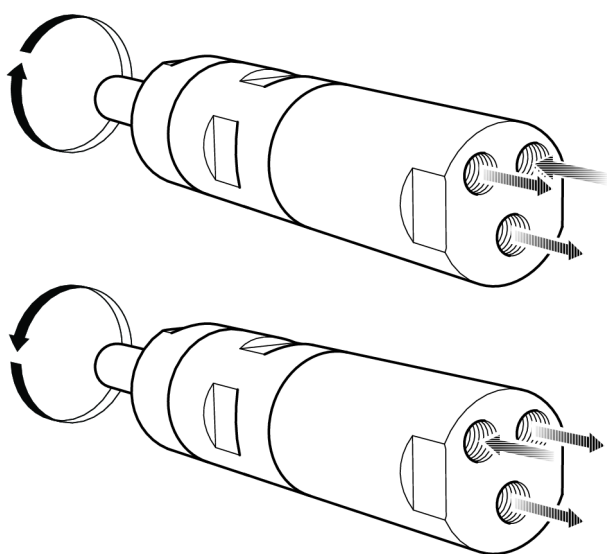
### Clasificarea IP

Clasificarea IP a motoarelor pneumatice este stabilită în condiții de presiune și exclude ieșirea sau amortizorul de zgomot atașat. Dacă motorul va funcționa scufundat sau sub jeturi puternice de apă, se recomandă amplasarea ieșirii departe de apă cu ajutorul unui furtun. Când este scufundat, țineți permanent motorul sub presiune cu o presiune mai ridicată decât adâncimea respectivă.

### Cuplarea sursei de aer

Atunci când sursa de aer comprimat este cuplată la orificiul de admisie, sensul de rotație va fi cel indicat în figura de mai jos. Dacă aerul evacuat trebuie ghidat, este necesară cuplarea unui furtun la orificiul de evacuare.

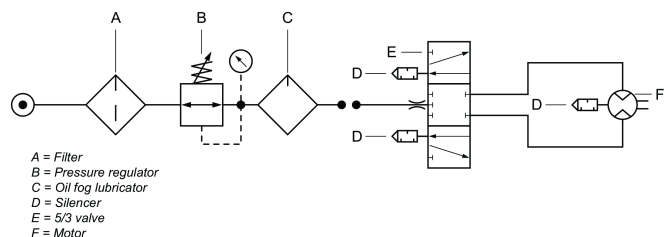
Sursa de aer comprimat trebuie cuplată la admisia corespunzătoare sensului de rotație dorit, vezi figura de mai jos. Orificiul de admisie neutilizat funcționează ca orificiu de evacuare și nu trebuie obturat.



s015473

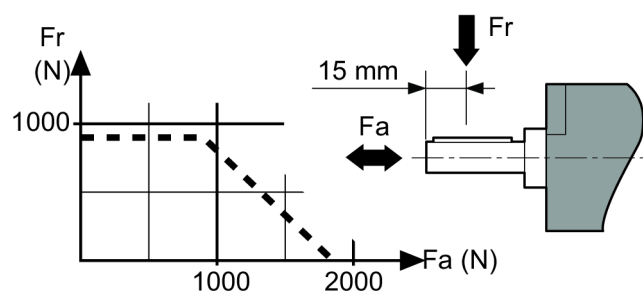
### Schema de montaj

Motor reversibil



891875

### Diagrama de sarcină a axului

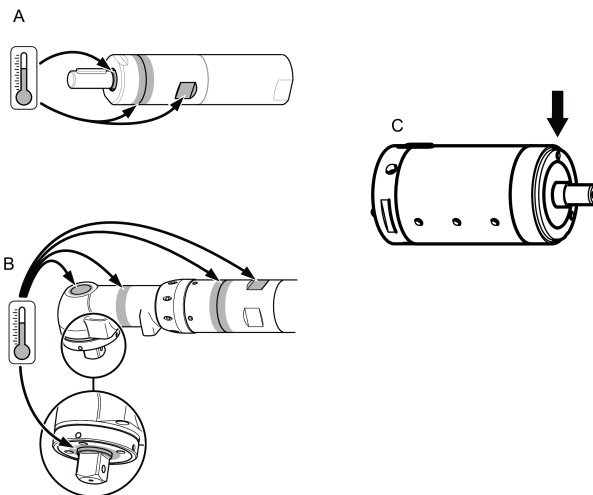


8000345

### Puncte fierbinți

Următoarele puncte fierbinți de pe motor pot atinge temperaturi ridicate în timpul funcționării. Imaginea prezintă punctele fierbinți pentru anumite modele:

- Oringul arborelui de ieșire (A, B, C)
- Îmbinarea dintre partea frontală și coroana dințată (A, B)
- Mânerul cheii (A, B)



102020667

Temperaturile cele mai ridicate se înregistrează atunci când motorul funcționează la presiune maximă în gol. Simultan cu creșterea cuplului, motorul pneumatic reduce turația și temperatura.

### Atenție

Citiți cu atenție instrucțiunile de operare înainte de a folosi acest motor.

Acest motor, precum și atașamentele și accesoriile acestuia pot fi folosite doar în scopul pentru care au fost proiectate.

Din motive de siguranță și de responsabilitate asupra produsului, orice modificare adusă motorului sau accesoriilor sale, care afectează responsabilitatea asupra produsului, trebuie agreeată anterior cu autoritatea tehnică a producătorului.

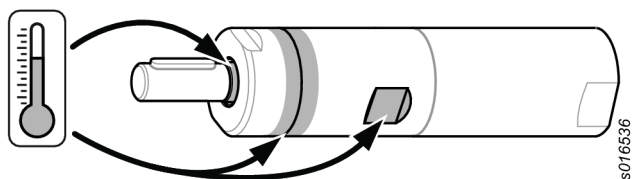
### Pentru a preveni vătămarea corporală și riscurile pe termen lung:

- Dacă motorul este certificat ATEX, trebuie instalate filtre/amortizoare de zgomot la gurile de evacuare ale motorului.
- Amortizoarele sunt recomandate și pentru alte aplicații pentru a reduce expunerea la zgomot.
- Deconectați motorul de la alimentarea cu aer înainte de orice operație de reglare.
- **Atenție la mâini, păr și haine - țineți-le mereu la distanță de piesele în mișcare.**

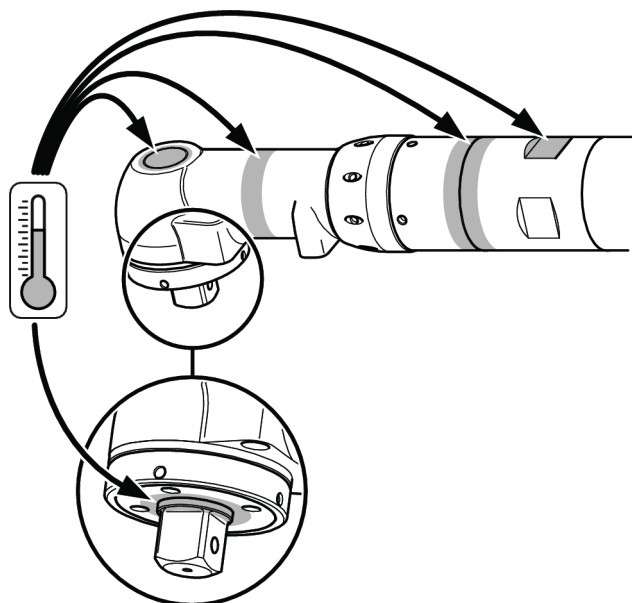
### Întreținerea

- Întreținerea și reparațiile acestui produs ATEX trebuie efectuate exclusiv de către personal autorizat. Ulterior, se vor desfășura o probă la gol și măsurători de temperatură în punctele cheie (cum se arată în figură), ce vor fi consemnate într-un raport.

După o probă la gol de 5 min, temperatura suprafeței nu trebuie să depășească suma dintre 45°C + temperatura ambiantă, unde temperatura ambiantă poate varia între 0 – 40°C.



s016536



s0165534

### Instrucțiuni generale de siguranță

Pentru a reduce riscul de vătămare, toți cei care utilizează, instalează, repară, întrețin, înlocuiesc accesorii sau lucrează lângă unealtă trebuie să citească și să înțeleagă aceste instrucțiuni înainte de a efectua orice operațiune.

Scopul nostru este producerea unor unelte care să vă ajute să lucrați în siguranță și eficient. Cel mai important dispozitiv de siguranță pentru utilizarea oricărei unelte sunteți DUMNEAVOASTRĂ. Atenția și gândirea constituie cea mai bună protecție împotriva vătămarilor. Nu putem detalia aici toate situațiile periculoase, dar am încercat să evidențiem câteva dintre cele mai importante.

- Această unealtă electrică trebuie asamblată, reglată și utilizată exclusiv de către operatori având pregătirea și calificarea necesară.
- Este interzisă modificarea în orice fel a uneltei sau accesoriilor sale.
- Nu utilizați această sculă electrică dacă este deteriorată.
- În cazul în care etichetele de avertizare referitoare la turația nominală, presiunea de funcționare sau pericolele devin ilizibile sau se detașează, înlocuiți-le imediat.

### ❗ Pentru informații suplimentare referitoare la siguranță consultați:

- Celelalte documente și informațiile incluse împreună cu unealta.
- Firma, sindicatul, sau asociația profesională din care faceți parte.
- Informații suplimentare referitoare la riscurile ocupaționale și la siguranță puteți obține de pe următoarele situri web:
  - <http://www.osha.gov> (SUA)
  - <https://osha.europa.eu/> (Europa)

### Pericole asociate alimentării cu aer și conexiunilor

- Aerul comprimat poate cauza vătămări grave.
- Când nu utilizați unealta, înaintea înlocuirii accesoriilor sau când efectuați reparații, opriți alimentarea cu aer, goliți furtunul de aer comprimat și deconectați unealta de la sursa de aer.
- Nu îndreptați niciodată jetul de aer spre persoane.
- Furtunurile cu aer comprimat scăpate de sub control pot provoca vătămări grave. Verificați întotdeauna dacă există furtunuri și racorduri deteriorate sau slabe.
- Nu depășiți presiunea maximă a aerului de 6,3 bar / 90 psig sau cea specificată pe plăcuța cu datele tehnice de pe unealtă.

### Pericole de agățare și încurcare

- Păstrați distanța față de axul rotativ. Este posibilă producerea de strangulări, scalpări sau lacerări dacă hainele largi, mănușile, bijuteriile, podoabele pentru gât și părul nu sunt ținute la distanță de unealtă și accesoriile acesteia.

### Pericolele reprezentate de obiectele proiectate

- Purtați întotdeauna o mască de protecție rezistentă la șoc pentru ochi și față atunci când utilizați, reparați sau întrețineți o unealtă, când schimbați accesoriile acesteia sau când vă aflați în apropiere în cursul acestor operațiuni.
- Asigurați-vă că toți cei aflați în zonă poartă măști de protecție rezistente la impact pentru ochi și față. Chiar și obiectele proiectate de mici dimensiuni pot răni ochii și provoca orbirea.
- Piesa de prelucrat trebuie fixată ferm.

### Pericole în timpul utilizării

- Fixați ferm unealta.
- Unealta trebuie să fie complet oprită înainte de îndepărtarea piesei de prelucrat.
- Montați întotdeauna comenzi de pornire, oprire și oprire de urgență pe mașina în care va fi integrat un motor/motor de cuplu.

### Pericole asociate zgomotului

- Nivelul ridicat al sunetului poate provoca hipoacuzia permanentă și alte probleme precum acufena. Folosiți mijloace de protecție pentru auz așa cum este recomandat de către angajator sau în reglementările de siguranță și sănătate ocupațională.

- Pentru prevenirea creșterii nedorite a nivelului de zgomot, utilizați și întrețineți unealta și selectați, întrețineți și înlocuiți accesoriile și consumabilele, conform instrucțiunilor prezentate în acest manual.

**Pericole asociate locului de muncă**

- Alunecarea/împiedicarea/căderea constituie cauze majore de vătămare gravă sau deces. Acordați atenție porțiunilor de furtun rămase pe podea sau pe suprafața de lucru.
- Evitați inhalarea prafului sau mănuierea resturilor generate de prelucrare deoarece acestea pot fi nocive (de exemplu, pot genera cancer, afecțiuni congenitale, astm și/sau dermatite). Când lucrați cu materiale care pot produce particule în suspensie, utilizați extractoare de praf și purtați echipament de protecție a căilor respiratorii.
- Anumite tipuri de praf produs prin sablare, tăiere, polizare, găurire sau în urma altor activități din construcții conțin chimicale care, după cum se știe în statul California, sunt cancerigene și provoacă malformații congenitale sau afecțiuni reproductive. Printre aceste chimicale se numără:
  - Plumbul din vopsele pe bază de plumb
  - Cărămizile și cimentul pe bază de oxid de siliciu cristalizat și alte produse de zidărie
  - Arsenicul și cromul din cauciucul tratat chimic

Riscul specific acestor expuneri variază în funcție de frecvența efectuării activității respective. Pentru a reduce expunerea la aceste chimicale: lucrați într-o zonă bine aerisită și dotată cu echipamente de protecție aprobate, precum măștile de praf proiectate special pentru filtrarea particulelor microscopice.

- Procedați cu atenție în medii insuficient cunoscute. Conștientizați riscurile asociate activității desfășurate. Această unealtă nu este izolată în cazul intrării în contact cu surse electrice.

**A NU SE ARUNCA - TRIMITEȚI UTILIZATORULUI**

**Semne și etichete**

Produsul este prevăzut cu marcaje și autocolante ce conțin informații importante despre siguranța personală și întreținerea produsului. Marcajele și autocolantele trebuie să fie ușor lizibile permanent. Marcaje și autocolante noi pot fi comandate de pe lista de piese de schimb.



s011050

**Informații de certificare ATEX**

**Temperaturi**

- Temperatura ambiantă maximă pentru care este valabilă certificarea este de 40°C.
- 40°C reprezintă și temperatura maximă permisă pentru aerul comprimat la pătrunderea în unealtă.
- Dacă acest produs este montat într-un echipament, acesta din urmă trebuie să corespundă în totalitate prevederilor 2014/34/UE.

- Verificați dacă aerul comprimat îndeplinește cerințele noastre de calitate (clasa calitativă 2.4.3. și 3.4.4, respectiv 3.5.4 conform ISO/DIS 8573-1:2010).
- Nu depășiți presiunea maximă a aerului de 6,3 bar sau cea specificată pe plăcuța cu datele tehnice de pe produs. Depășirea presiunii de lucru poate produce creșterea temperaturii suprafeței din cauza turației mai ridicate, iar produsul poate deveni o sursă de foc.

**Clasificarea Ex**

Dacă produsul este parte a unui ansamblu în care componentele au coduri Ex diferite, clasificarea Ex al ansamblului este dată de componentele cu cel mai redus nivel de siguranță.

**Instrucțiuni de prevenire a exploziilor**

**Curățarea**

- Pentru a preveni creșterea temperaturii rulmentului și a suprafeței, produsul trebuie să fie lipsit de praf și murdărie.
- Dacă folosiți un amortizor de zgomot: Pentru a preveni scăparea în atmosferă a eventualelor particule încălzite prin frecare, montați un amortizor de zgomot cu efect de filtrare la orificiul de ieșire a aerului.

**Mod de utilizare**

- Asigurați-vă că produsul este împământat prin conexiunea electrică echipotențială a atelierului, de exemplu prin accesorii precum furtunuri și conexiuni pneumatice.
- Utilizatorului îi revine responsabilitatea de a se asigura că produsul și toate accesoriile acestuia, precum chei și racorduri pneumatice, respectă reglementările privind siguranța în vigoare la nivel național pentru echipamentele ce pot fi folosite în zone cu pericol de explozie.

**Definiția codului ATEX**

Codul ATEX este:



Ex II 2 G Ex h IIC T6 Gb  
 Ex II 2 D Ex h IIIC T85°C Db  
 °C ≤ Ta ≤ 40 °C

Descriere	Valoare	Definiție
Grupa de echipamente	<b>II</b>	Industria de suprafață
Categoria de echipamente	<b>2</b>	Nivel ridicat de protecție
<b>Grupa II</b>		<ul style="list-style-type: none"> <li>• zona 1 (gaze)</li> <li>• zona 2 (gaze)</li> <li>• zona 21 (praf)</li> <li>• zona 22 (praf)</li> </ul>

Descriere	Valoare	Definiție
Atmosfera	<b>G</b>	Atmosferă care conține gaz, vapori sau aburi
	<b>D</b>	Atmosferă care conține praf
Design de siguranță	<b>h</b>	Produs mecanic
Grupa de gaze	<b>IIC</b>	Hidrogen/acetilenă
	<b>IIB</b>	Etilenă
Grupa de praf	<b>IIIC</b>	Praf inflamabil de suprafață
Temperatura maximă la suprafață în atmosferă cu gaze		<b>T1</b> = 450 °C
		<b>T2</b> = 300 °C
		<b>T3</b> = 200 °C
		<b>T4</b> = 135 °C
		<b>T5</b> = 100 °C
		<b>T6</b> = 85 °C
Temperatura maximă a suprafeței în medii cu praf		Exemple de temperaturi:
		T85 °C
		T110 °C
		T120 °C
		T125 °C
	T240 °C	
Restricție specială, de exemplu gama de temperatură ambientă.	<b>X</b>	

## Informații utile

### Site web

Conectați-vă la Atlas Copco: [www.atlascopco.com](http://www.atlascopco.com).

Pe site-ul nostru puteți găsi informații referitoare la produse, accesorii, piese de schimb și publicații.

### Țara de origine

Consultați informațiile de pe eticheta produsului.

### Garanție

- Garanția expiră la 12 luni după prima punere în funcțiune a produsului, dar oricum expiră cel târziu după 13 luni de la livrare.
- Garanția nu acoperă uzura normală a pieselor.
  - Uzura normală înseamnă necesitatea înlocuirii unei piese în cadrul reviziei standard a unelei dintr-o anumită perioadă (exprimată ca timp, ore de funcționare sau altfel).
- Garanția produsului se bazează pe utilizarea, întreținerea și repararea corectă a unelei și componentelor sale.

- Deteriorarea pieselor în perioada de garanție, ca urmare a unor operații de întreținere inadecvate sau executate de alte unități decât Atlas Copco sau partenerii de service autorizați de companie, nu este acoperită de garanție.
- Pentru evitarea deteriorării sau distrugerii pieselor unelei, supuneți unealta operațiilor de service prevăzute în programele de întreținere recomandate și urmați instrucțiunile corespunzătoare.
- Reparațiile în garanție sunt efectuate exclusiv în atelierul Atlas Copco sau de către partenerii de service autorizați.

oferă o garanție extinsă și operațiuni de întreținere preventivă de ultimă oră prin contractele Atlas Copco ToolCover. Pentru informații suplimentare adresați-vă reprezentantului de service local.

Pentru motoare electrice:

- Garanția este aplicabilă numai dacă motorul electric nu a fost deschis.

### ServAid

ServAid este un portal, care conține informații tehnice pentru toate produsele hardware și software, cum ar fi:

- Informații de reglementare și siguranță
- Date tehnice
- Instrucțiuni de instalare, utilizare și service
- Liste cu piese de schimb
- Accesorii

ServAid este actualizat continuu și este disponibil la: <https://servaid.atlascopco.com>

Pentru informații suplimentare, adresați-vă reprezentantului local Atlas Copco.

### Fișe tehnice de securitate MSDS/SDS

Fișele tehnice de securitate descriu produsele chimice comercializate de Atlas Copco.

Pentru informații suplimentare, consultați site-ul web: [www.atlascopco.com/sds](http://www.atlascopco.com/sds)

## Teknik veriler

### Teknik veriler

Sipariş No	8411033965
Model	LZB34-RL-AR005-11
Serbest hızda hava tüketimi	l/s
Serbest hızda hava tüketimi	cfm
Azami güçte hava tüketimi	7.9 l/s
Azami güçte hava tüketimi	16.8 cfm
Frenleme torku	Nm
Frenleme torku	ft lb
Yerleşik fren	No
Dış parçaların malzemesi	Stainless steel
Serbest hız	450 dev/dak
Maks güç	0.25 kW

Maks güç	0.34 hp
Min başlangıç torku	12.6 Nm
Min başlangıç torku	9.3 ft lb
Oran	
Dönüş yönü	Reversible
Şaft yükleme kodu	c
Şaft tipi	Keyed
Azami güçte hız	240 dev/dak
Durma torku	19.6 Nm
Durma torku	14.5 ft lb
Azami güçte tork	9.8 Nm
Azami güçte tork	7.2 ft lb
Kanat tipi	Lubrication free
Ağırlık	1.2 kg
Ağırlık	2.65 lb
Giriş hortumu	10 mm
Giriş hortumu	0.4 in
Giriş koruma derecesi	IP66/IP68/IP69
Çıkış hortumu	10 mm
Çıkış hortumu	0.4 in
IP Derecelendirmesi	IP66/IP68/IP69

### IP Derecelendirmesi

Hava motorlarının IP Derecelendirmesi ile IEC 60529 standardına göre mekanik muhafazaya atıfta bulunmaktadır. IP derecelendirmesi korozyon direncini veya temiz tatlı su dışındaki herhangi bir sıvıyı kapsamaz.

## Beyanlar

### AB KURULUŞ BEYANI

Biz **Atlas Copco Industrial Technique AB**, SE-105 23 STOCKHOLM SWEDEN, olarak bu ürünün (ad, tip ve seri numarası ile birlikte, ön sayfaya bakınız) 2006/42/EC Makine Direktifinin aşağıdaki temel gerekliliklerini karşıladığımızı kendi sorumluluğumuz altında olduğunu:

2006/42/EC (Annex I, clauses 1.1, 1.2 (excluding 1.2.4.3), 1.3, 1.4, 1.5, 1.6, 1.7)

Ve bu kısmen tamamlanmış makinenin aşağıdaki diğer AB Direktif(ler)i hükümlerine uygun olduğunu beyan ederiz: 2014/34/EU (ATEX)

Bu kısmen tamamlanmış makine aksamının içine monte edilmesinin planlandığı nihai makinenin, 2006/42/EC sayılı Makine Direktifinin hükümlerine uygun olduğu bildirilene kadar hizmete alınmaması gerekir.

Aşağıdaki Avrupa uyumlaştırılmış standartlarına (kısımlar/hükümler) uygulanmıştır:

EN 1127-1:2019, EN ISO 12100:2010, EN ISO 80079-36:2016, EN ISO 80079-37:2016

İlgili teknik dokümantasyon, Danimarka'daki Onaylanmış Kuruluş ExVeritas ApS'de (AB Kimlik No 2804) yer alan Ek VII'nin Makine Direktifi 2006/42/EC bölüm B ve ATEX Direktifi 2014/34/EU Madde 13 (1) b) ii'ye uygun olarak derlenmiş ve iletilmiştir. Yetkili makamlar 2014/34/AB sayılı

ATEX Direktifinin teknik dosyasını basılı form olarak şuradan isteyebilir:

<https://www.exveritas.com/2022/02/02/what-you-need-for-atex-and-ukca-explosive-atmosphere-certification-for-the-uk-and-eu-markets/>

Stockholm, 1 September 2023

**Håkan Andersson, Managing Director**

Hazırlayanın imzası



### bölgesel gereksinimler

#### ⚠ UYARI

Bu ürün Kaliforniya eyaleti tarafından kansere ve doğum kusurlarına veya diğer üreme rahatsızlıklarına neden olduğu bilinen kurşun dahil olmak üzere çeşitli kimyasallara maruz kalmanıza neden olabilir. Daha fazla bilgi için [www.P65Warnings.ca.gov](http://www.P65Warnings.ca.gov) adresini ziyaret edin

### REACH Madde 33 ile ilgili bilgiler

Kimyasalların Tescili, Değerlendirilmesi, İzni ve Kısıtlanması (REACH) ile ilgili 1907/2006 sayılı Avrupa Yönetmeliği (AB), tedarik zincirinde iletişim ile ilgili diğer gereklilikleri tanımlamaktadır. Bilgi gereklilikleri ayrıca Çok Yüksek Endişe Verici Maddeler ("Aday Listesi") içeren ürünler için de geçerlidir. 27 Haziran 2018 tarihinde Aday Listesine kurşun metali (CAS No. 7439-92-1) eklenmiştir.

Yukarıdaki bilgilere göre bu, ürünlerdeki belirli mekanik bileşenlerin kurşun metali içerebileceğini bildirmektir. Bu, yürürlükteki madde kısıtlama mevzuatına uygundur ve RoHS Yönergesindeki (2011/65/EU) yasal muafiyetlere dayanmaktadır. Kurşun metali normal kullanım sırasında üründen sızıntı yapmaz veya mutasyona uğramaz ve tüm üründeki kurşun metali konsantrasyonu geçerli eşik sınırının oldukça altındadır. Lütfen ürünün kullanım ömrü sonunda kurşunu bertarafı konusunda ilgili yerel gereklilikleri dikkate alın.

## Güvenlik

#### ⚠ UYARI Maddi Hasar veya Ağır Yaralanma Riski

Aleti kullanmadan önce tüm talimatları okuyup anladığınızdan ve bunlara uyduğunuzdan emin olun. Tüm talimatlara uymamak, elektrik çarpmasına, yangına, maddi hasara ve/veya ciddi yaralanmaya yol açabilir.

- ▶ Sistemin farklı parçalarıyla birlikte sunulan tüm Güvenlik Bilgilerini okuyun.
- ▶ Sistemin farklı parçalarının montajına, kullanımına ve bakımına yönelik tüm Ürün Talimatlarını okuyun.
- ▶ Sistem ve içindeki parçalara ilişkin tüm yerel olarak yasal güvenlik düzenlemelerini okuyun.
- ▶ Tüm Güvenlik Bilgilerini ve talimatlarını ileride kullanmak için saklayın.

## Kullanım beyanı

Bu motor sabit veya hareketli bir makineye yerleştirilmek üzere geliştirilmiştir. Sadece sağa dönecek şekilde, sadece sola dönecek şekilde veya ters yönde kullanılabilir ve uygun şekilde sadece flanş veya dişli burun ile monte edilmelidir. Başka kullanıma izin verilmemektedir. Sadece profesyonel kullanım içindir.

Motorların, patlama potansiyeli taşıyan ortamın ateşlenmesine kaynaklık etme riski oldukça düşüktür. Motorun yerleştirileceği tüm makineye ilişkin risklerin değerlendirilmesinden kullanıcı sorumludur.

## Ürüne özel talimatlar

### Uyarı

#### ⚠ UYARI Polimer tehlikesi

Bu üründe bulunan kanatlar PTFE (sentetik bir floropolimer) içerir. Aşınmaya bağlı olarak, PTFE partikülleri ürün içinde bulunabilir. Isınan PTFE, özellikle kirlenmiş sigara içilirken gribe benzer belirtilere sahip polimer buharı ateşine neden olabilecek dumanlar üretir.

Vanalara ve diğer parçalara dokunurken PTFE'ye ilişkin Sağlık ve Güvenlik önerilerine uyulmalıdır:

- ▶ Bu ürüne bakım yaparken sigara içmeyin.
- ▶ PTFE partikülleri açık alev, kıvılcım veya ateş ile temas etmemelidir.
- ▶ Motor bileşenleri temizleme sıvısı ile yıkanmalı ve hava hattı ile üflenerek temizlenmemelidir
- ▶ Başka bir işlem yapmadan önce ellerinizi yıkayın

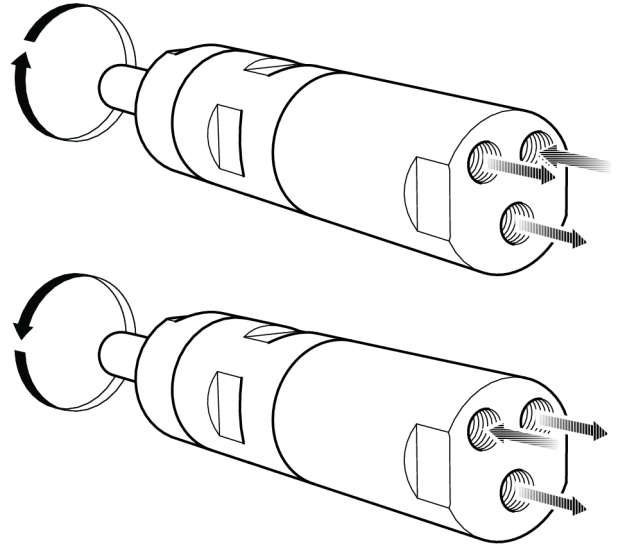
### IP Derecelendirmesi

Hava motorlarının IP Derecelendirmesi, basınç koşulları altında ayarlanır ve çıkış veya takılı susturucu hariçtir. Motor su altında ya da ağır su jetleri ile çalışacaksa, bir hortumla çıkışı sudan uzak tutmanız tavsiye edilir. Suya daldırıldığında, ilgili derinliğe göre motoru daima daha yüksek bir basınç altında tutun.

### Hava beslemesinin bağlanması

Basınçlı hava beslemesi girişe bağlandığında, dönüş yönü aşağıdaki şekilde gösterildiği gibi olacaktır. Egzoz havası uzaklaştırılacaksa, egzoz çıkışına bir hortum bağlanmalıdır.

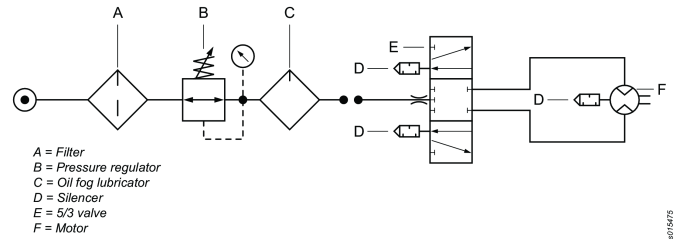
Basınçlı hava beslemesi istenilen dönüş yönü için ilgili girişe bağlanmalıdır, bkz. aşağıdaki şekil. Kullanımda olmayan giriş, ilave bir çıkış olarak işlev görür ve tıkanmaması gerekir.



s015473

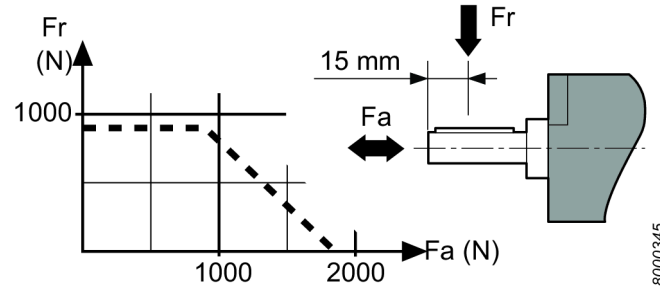
### Montaj şeması

Geri Dönümlü motor



e01475

### Mil yükü diyagramı

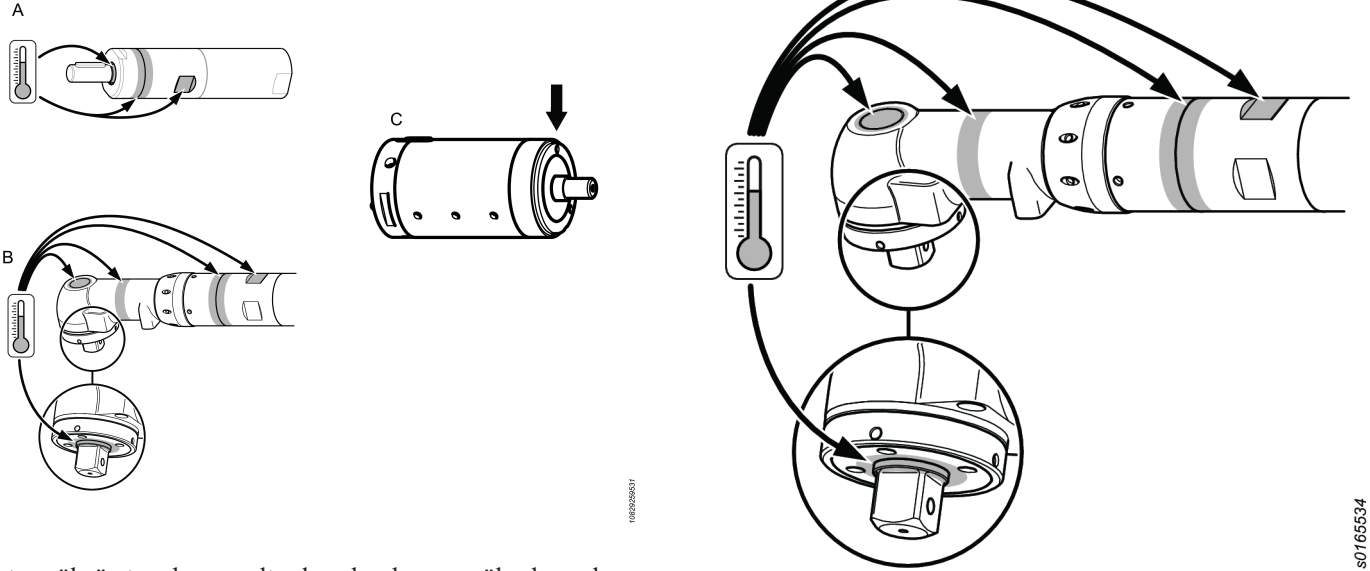


8000345

### Sıcak Noktalar

Motor üzerindeki aşağıda belirtilen sıcak noktalar çalışma sırasında yüksek sıcaklıklara erişebilir. Resim, belirli modeller için sıcak noktaları göstermektedir:

- Çıkış milindeki sızdırmazlık halkası (A, B, C)
- Ön kısım ve dişli halka arasındaki bağlantı (A, B)
- Anahtar tutamağı (A, B)



Motor yüksüz tam basınç altında çalışırken en yüksek sıcaklıklar meydana gelir. Artan tork ile birlikte, hava motoru dönüş hızını ve sıcaklığı azaltır.

## Uyarı

Bu motoru kullanmadan önce kullanım talimatlarını okuyup anlayın.

Bu motor, bağlantı parçaları ve aksesuarları sadece tasarlandığı amaca yönelik olarak kullanılmalıdır.

Ürünle ilgili sorumluluk ve güvenlik nedenlerinden dolayı, ürünle ilgili sorumluluk üzerinde etkisi bulunabilecek motor veya aksesuarlarında yapılabilecek herhangi bir değişikliğe üreticinin teknik yetkilisi tarafından karar verilmelidir.

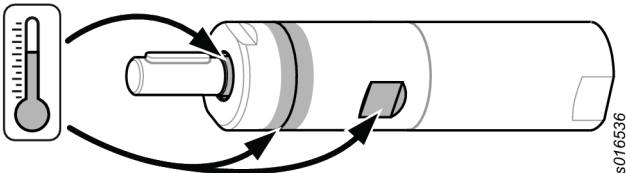
## Personelin yaralanmasını ve uzun vadeli riskleri önlemek için:

- Motor ATEX sertifikalı ise, motor çıkış portlarına filtre/susturucular takılmalıdır.  
Gürültüye maruz kalmayı azaltmak için başka uygulamalarda da susturucu önerilir.
- Herhangi bir ayarlama işlemi yapmadan önce motorun hava hattı bağlantısını kesin.
- **Ellerinize, saçınıza ve elbiselerinize dikkat edin; döner parçalardan daima uzak durun.**

## Bakım

- Bu ATEX ürününün bakımı ve onarımları özel olarak yetkili personel tarafından yapılmalıdır ve bunun sonrasında sıcak noktaların (şekilde görüldüğü gibi) yüksüz testi ve sıcaklık ölçümleri yapılmalı ve bir rapora kaydedilmelidir.

5 dakikalık yüksüz test sonrasında yüzey sıcaklığı 45°C + ortam sıcaklığı toplamını aşmamalıdır (burada ortam sıcaklığı 0 – 40°C arasında değişebilir).



## Genel güvenlik talimatları

Yaralanma riskini azaltmak için, bu aleti kullanan, kurulumunu, tamirini, bakımını yapan, aksesuarlarını değiştiren ya da yakınında çalışan herkesin, söz konusu bu tür işleri yapmadan önce bu talimatları okumuş ve anlamış olması gerekmektedir.

Amacımız güvenli ve etkin çalışmanıza yardımcı aletler üretmektir. Bu veya herhangi bir alet için en önemli güvenlik aygıtı SİZSİNİZ. Sizin dikkatiniz ve özeniniz yaralanmalara karşı en iyi korunmadır. Tüm olası güvenlik tehlikelerinin burada ele alınması mümkün değildir, ancak bazı önemli noktaları vurgulamaya çalıştık.

- Bu elektrikli aleti sadece uzman ve eğitimli operatörler monte etmeli, ayarlamalı veya kullanmalıdır.
- Bu alette ve aksesuarlarında hiçbir şekilde değişiklik yapılmamalıdır.
- Bu aleti hasar görmüşse kullanmayın.
- Alet üzerindeki anma hızı, çalışma basıncı veya tehlike uyarı işaretleri okunamaz hale gelirse veya sökülürse, zaman kaybetmeden yenileyin.

## İ Ek güvenlik bilgileri için aşağıdakilere başvurun:

- Bu aletle birlikte verilen diğer belgeler ve bilgiler.
- İşvereniniz, sendikanız ve / veya ticari birliğiniz.
- Diğer iş sağlığı ve güvenliği bilgilerine aşağıdaki web sitelerinden ulaşılabilir:
  - <http://www.osha.gov> (ABD)
  - <https://osha.europa.eu/> (Avrupa)

## Hava kaynağı ve bağlantı tehlikeleri

- Basıncı hava ciddi yaralanmaya neden olabilir.
- Kullanılmadığı zamanlarda, aksesuarlarını değiştirmeden önce ya da onarım yaparken daima hava beslemesini kapatın, hortumun havasını boşaltın ve aletin hava beslemesi bağlantısını kesin.
- Hiçbir zaman havayı kendinize ya da başka birine yöneltmeyin.

- Kontrolsüz fırlayan hortumlar ciddi yaralanmalara neden olabilir. Her zaman hasarlı ya da gevşek hortum ve bağlantı parçası olup olmadığını kontrol edin.
- Maksimum 6,3 bar / 90 psi veya alet tanıtım plakasında belirtilmiş olan hava basıncını aşmayın.

#### Takılma tehlikeleri

- Döner tahrikten uzak durun. Giysiler, eldivenler, takılar, kolyeler ve saçlar, aletten ve aksesuarlardan uzak tutulmazsa, boğulmaya, soyulmalara ve / veya yırtılmalara neden olabilir.

#### Fırlama tehlikeleri

- Çalıştırma göreviniz varsa veya alete yakın çalışıyorsanız, aletin bakım veya onarımını yapıyor veya alette aksesuar değiştiriyorsanız, daima darbeye dayanıklı göz ve yüz koruması takın.
- Alandaki tüm diğer kişilerin de darbeye dayanıklı göz ve yüz koruması taktığından emin olun. Fırlayan küçük parçalar bile gözlerde yaralanmaya ve körlüğe neden olabilir.
- İş parçası güvenli bir şekilde sabitlendiğinden emin olun.

#### Kullanım tehlikeleri

- Aleti sıkı bir şekilde kelepçeleysin.
- İş almadan önce aletin tamamen durduğundan emin olun.
- Motorun/tork motorunun yerleştirildiği makineye daima başlatma, durdurma ve acil durdurma kumandalarını takın.

#### Gürültü tehlikeleri

- Yüksek ses düzeyleri kalıcı işitme kaybına veya kulak çınlaması gibi sorunlara neden olabilir. İşveren veya meslek sağlığı ve güvenliği yönetmelikleriyle tavsiye edilen işitme korumasını kullanın.
- Gürültü seviyelerinde gereksiz artışları önlemek için, aletin kullanımını ve bakımını, ve aksesuarların ve sarf malzemelerinin seçimini, bakımını ve değişimini bu kullanım kılavuzuna göre yapın.

#### İşyeri tehlikeleri

- Kayma/Takılma/Düşme önemli bir yaralanma veya ölüm sebebidir. Yürüme ya da çalışma alanında kalan fazla hortuma karşı dikkatli olun.
- Çalışma sürecinde hastalığa neden olabilecek (örneğin, kanser, doğum kusurları, astım ve/veya dermatit) tozları veya dumanları solumaktan ya da döküntü/artık ile temas-tan kaçın. Havayla taşınan partiküller oluşturan malzemeler ile çalışırken toz çekme işlemi yapın ve solunum koruyucu donanım kullanın.
- Elektrikli zımparalama, doğrama, bileme, delme ve diğer yapı faaliyetlerinin neden olduğu bazı tozlar, California eyaleti tarafından kansere ve doğum kusurlarına veya diğer üreme rahatsızlıklarına neden olduğu bilinen kimyasallar içermektedir. Bu kimyasallardan bazıları şunlardır:
  - Kurşun bazlı boyalardaki kurşun
  - Kristalimsi silis tuğla ile çimento ve diğer duvarcılık ürünleri
  - Arsenik ile kimyasal olarak işlenmiş kauçuktaki krom

Bu maruz kalmalar karşısındaki riskiniz bu tür işleri ne kadar sıklıkla yaptığınıza bağlı olarak değişiklik gösterir. Bu kimyasallara maruz kalma derecesini azaltmak için: iyi havalandırılmış alanlarda çalışın ve özellikle mikroskobik partikülleri filtrelemek üzere tasarlanmış toz maskeleri gibi onaylanmış güvenlik ekipmanı kullanarak çalışın.

- Bilmediğiniz ortamlarda dikkatli olun. İş aktivitenizin oluşturduğu potansiyel tehlikelere dikkat edin. Bu alet, elektrik gücü kaynaklarına temasa karşı izolasyonlu değildir.

#### ATMAYIN - KULLANICIYA VERİN

#### İşaretler ve etiketler

Ürün, kişisel emniyete ve ürün bakımına ilişkin önemli bilgiler içeren işaretlerle ve etiketlerle donatılmıştır. İşaretler ve etiketler her zaman kolaylıkla okunabilmelidir. Yeni işaretler ve etiketler yedek parça listesi kullanılarak sipariş edilebilir.



s011050

#### ATEX sertifikasyon bilgisi

##### Sıcaklıklar

- Sertifikasyonun geçerli olduğu azami ortam sıcaklığı 40'dir.
- 40 ayrıca basınçlı havanın ürüne girişteki azami izin verilen sıcaklığıdır.
- Ürün bir ekipman içine monte edilecekse, tüm ekipmanın 2014/34/EU yönergelerine uygun olması gerekir.
- Basınçlı havanın kalite gereksinimlerimizi karşıladığından emin olun (ISO/DIS 8573-1:2010'a göre kalite sınıfları 2.4.3. ve 3.4.4 ile 3.5.4).
- Azami 6,3 bar veya ürün tanıtım plakasında belirtilmiş olan basıncı aşmayın. Çalışma basıncının aşılması daha yüksek dönüş hızı nedeniyle yüzey sıcaklığını yükseltir ve ürün bir ateşleme kaynağı haline gelebilir.

##### Ex Sınıflandırması

Ürün, bileşenlerin farklı Ex sınıflandırmasına sahip olduğu bir tertibatın parçasıysa, en düşük güvenlik seviyesine sahip bileşen tüm tertibatın Ex sınıflandırmasını tanımlar.

##### Patlama önleme yönergeleri

##### Temizlik

- Yatak ve yüzey sıcaklığının artmasına engel olmak için ürünün tozdan ve kirden arındırılmış olduğundan emin olun.
- Bir susturucu kullanıyorsanız: Sürtünmeye ilişkin partiküllerin çevredeki ortama girişini önlemek için filtreleme etkili bir susturucunun hava çıkışına takıldığından emin olun.

## Kullanım

- Ürünün hortumlar veya hava basıncı bağlantıları gibi aksesuarlar yoluyla atölyenin eş potansiyel kuşaklama sistemine topraklandığından emin olun.
- Ürünün ve anahtarlar ve hava bağlantıları tüm muhtemel aksesuarların, patlama potansiyeli taşıyan alanlarda kullanılan ekipmana yönelik ulusal güvenlik düzenlemelerine uygun olmasını sağlamak kullanıcının sorumluluğundadır.

## ATEX Kodu Tanımı

### ATEX kodu:



Ex II 2 G Ex h IIC T6 Gb  
Ex II 2 D Ex h IIIC T85°C Db  
 $^{\circ}\text{C} \leq \text{Ta} \leq 40^{\circ}\text{C}$

Açıklama	Değer	Tanım
Ekipman grubu	<b>II</b>	Yüzey Endüstrisi
Ekipman kategorisi	<b>2</b>	Yüksek seviyeli koruma
<b>Grup II</b>		<ul style="list-style-type: none"> <li>• bölge 1 (gaz)</li> <li>• bölge 2 (gaz)</li> <li>• bölge 21 (toz)</li> <li>• bölge 22 (toz)</li> </ul>
Atmosfer	<b>G</b>	Gaz, Buhar veya Sis içeren atmosfer
	<b>D</b>	Toz içeren atmosfer
Güvenlik tasarımı	<b>h</b>	Mekanik ürün
Gaz grubu	<b>IIC</b>	Hidrojen/ Asetilen
	<b>IIB</b>	Etilen
Toz grubu	<b>IIIC</b>	Yüzey yanıcı toz
<b>Gaz atmosferindeki maks. yüzey sıcaklığı</b>		<b>T1</b> = 450 °C <b>T2</b> = 300°C <b>T3</b> = 200°C <b>T4</b> = 135°C <b>T5</b> = 100°C <b>T6</b> = 85°C
<b>Toz atmosferindeki maks. yüzey sıcaklığı</b>		Örnek sıcaklıklar: T85°C T110°C T120°C T125°C T240°C
Özel kısıtlama, örneğin ortam sıcaklığı aralığı.	<b>X</b>	

## Faydalı bilgiler

### Web sitesi

Burada oturum açın Atlas Copco: [www.atlascopco.com](http://www.atlascopco.com).

Web sitemizde ürünlerimiz, aksesuarlar, yedek parçalar hakkında bilgileri ve yayınlanmış makaleleri bulabilirsiniz.

### Menşei ülke

Lütfen ürün etiketindeki bilgilere bakın.

### Garanti

- Ürün garantisi ürün kullanıma alındıktan 12 ay sonra sona erecek olmakla birlikte her türlü şart altında teslimatı takip eden 13 ay sonunda sona erecektir.
- Parçalar üzerindeki normal yıpranma ve aşınma garantiye dahil değildir.
  - Normal yıpranma ve aşınma, o periyot (zaman, çalışma saati veya başka bir şekilde ifade edilen) için uygun standart alet bakımı sırasında bir parça değişimini veya başka bir ayar/revizyonu gerektiren yıpranma ve aşınmadır.
- Ürün garantisi aletin ve bileşen parçalarının doğru kullanımı, bakımı ve onarımına bağlıdır.
- Garanti periyodu sırasında yetersiz bakım ya da Atlas Copco veya Onaylı Servis Ortakları dışındaki taraflarca yapılan bakımın bir sonucu olarak parçalarda oluşan hasarlar garanti kapsamına girmez.
- Alet parçalarının zarar görmesini veya tahrip olmasını önlemek için, alete önerilen bakım programlarına göre bakım yapın ve doğru talimatları izleyin.
- Garanti onarımları sadece Atlas Copco atölyelerinde veya Onaylı Servis Ortakları tarafından yapılır.

Atlas Copco ToolCoverkontratları yoluyla uzatılmış garanti ve modern önleyici bakım sunar. Daha fazla bilgi için Servis temsilcinize başvurun.

Elektrik motorları için:

- Garanti sadece elektrik motoru açılmamış olduğunda uygulanır.

### ServAid

ServAid, aşağıdaki örneklerde verilen bütün donanım ve yazılım ürünleri hakkında teknik bilgi içeren bir portaldır:

- Düzenleyici ve Güvenlik bilgileri
- Teknik veriler
- Montaj, Kullanım ve Servis talimatları
- Yedek parça listeleri
- Aksesuarlar

ServAid sürekli güncelleniyor ve buradan indirilebilir: <https://servaid.atlascopco.com>

Daha fazla bilgi için bölgenizdeki Atlas Copco temsilcinize başvurun.

**Güvenlik Veri Sayfaları MSDS/SDS**

Güvenlik veri sayfaları Atlas Copco tarafından satılan kimyasal ürünleri tanımlar.

Daha fazla bilgi için, web sitesini ziyaret edin:

[www.atlascopco.com/sds](http://www.atlascopco.com/sds)

**Технически данни****Технически данни**

Номер на поръчка	8411033965
Модел	LZB34-RL-AR005-11
Разход на въздух при свободна скорост	l/s (литър/секунда)
Разход на въздух при свободна скорост	- cfm (куб. фут/минута)
Разход на въздух при максимална мощност	7.9 l/s (литър/секунда)
Разход на въздух при максимална мощност	-16.8 cfm (куб. фут/минута)
Спирачен момент	Nm (нютон-метър)
Спирачен момент	ft lb (фут паунд)
Вградена спирачка	No
Материал на външните части	Stainless steel
Свободна скорост	450 r/min (об./мин.)
Максимална мощност	0.25 kW
Максимална мощност	0.34 hp (к. сили)
Минимален пусков момент	12.6 Nm (нютон-метър)
Минимален пусков момент	9.3 ft lb (фут паунд)
Съотношение	
Посока на въртене	Reversible
Код на товарене на вала	c
Вид вал	Keyed
Скорост при максимална мощност	240 r/min (об./мин.)
Пусков момент	19.6 Nm (нютон-метър)
Пусков момент	14.5 ft lb (фут паунд)
Въртящ момент при максимална мощност	9.8 Nm (нютон-метър)
Въртящ момент при максимална мощност	7.2 ft lb (фут паунд)
Вид широка част	Lubrication free
Тегло	1.2 kg
Тегло	2.65 lb (фут)
Входящ маркуч	10 mm
Входящ маркуч	0.4 in (инч)
Степен на защита срещу проникване	IP66/IP68/IP69
Изходящ маркуч	10 mm
Изходящ маркуч	0.4 in (инч)
Международна класификация на степента на защита	IP66/IP68/IP69

**Международна класификация на степента на защита**

Международната класификация на степента на защита на пневматичните двигатели се отнася до механичния кожух съгласно стандарт IEC 60529. Международната класификация на степента на защита не покрива устойчивостта на корозия или каквито и да било други течности освен чиста прясна вода.

**Декларации****ЕС ДЕКЛАРАЦИЯ ЗА ВГРАЖДАНЕ**

Ние, **Atlas Copco Industrial Technique AB**, SE-105 23 STOCKHOLM SWEDEN, декларираме на своя лична отговорност, че този продукт (с наименование, вид и сериен номер, вижте заглавната страница) отговаря на следните съществени изисквания на Директива 2006/42/ЕО относно машините:

2006/42/EC (Annex I, clauses 1.1, 1.2 (excluding 1.2.4.3), 1.3, 1.4, 1.5, 1.6, 1.7)

и че тази частично окомплектована машина е в съответствие с изискванията на следната друга директива(и) на ЕС: 2014/34/EU (ATEX)

Тази частично окомплектована машина не трябва да се въвежда в експлоатация, преди крайната машина, към която трябва да се включи, да бъде декларирана в съответствие с клаузите на Директива 2006/42/ЕО относно машините, където е подходящо.

Приложени са следните (части/клаузи на) хармонизирани европейски стандарти:

EN 1127-1:2019, EN ISO 12100:2010, EN ISO 80079-36:2016, EN ISO 80079-37:2016

Съответната техническа документация беше окомплектована и комуникирана в съответствие с Директива 2006/42/ЕО относно машините, част Б на Приложение VII, и Директива 2014/34/ЕС (Директивата за АТЕХ), член 13 (1) б) ii в нотифицирания орган Ex Veritas ApS (Европейски идентификационен номер 04 2804) в Дания. Властите могат да поискат техническото досие за Директива 2014/34/ЕС (Директивата за АТЕХ) на хартиен носител от:

<https://www.exveritas.com/2022/02/02/what-you-need-for-atex-and-ukca-explosive-atmosphere-certification-for-the-uk-and-eu-markets/>

Stockholm, 1 September 2023

**Håkan Andersson, Managing Director**

Подпис на издаващото лице



## Регионални изисквания

### ПРЕДУПРЕЖДЕНИЕ

Този продукт може да ви изложи на контакт с химикали, включително олово, за което в щата Калифорния е известно, че причинява рак и вродени малформации или други вреди по отношение на възпроизводителната способност. За допълнителна информация посетете [www.P65Warnings.ca.gov](http://www.P65Warnings.ca.gov)

## Информация във връзка с чл. 33 от REACH (Регламент относно регистрацията, оценката, разрешаването и ограничаването на химикали)

Европейски регламент (ЕС) №1907/2006 относно регистрацията, оценката, разрешаването и ограничаването на химикали (REACH) определя, освен други неща, изискванията, свързани с комуникациите във веригата на доставките. Изискването за информация се отнася също и за продукти, съдържащи т. нар. вещества, пораждащи сериозно безпокойство ("списък на кандидати"). На 27 юни 2018 г. металът олово (CAS № 7439-92-1) беше добавен към списъка на кандидатите.

Във връзка с гореспоменатото бихме искали да ви информираме, че определени механични компоненти в продукта може да съдържат метала олово. Това е в съответствие с настоящето законодателство за ограничаване на веществата и въз основа на законовите изключения в Директивата за ограничението за употребата на определени опасни вещества в електрическото и електронното оборудване (RoHS) (2011/65/EU). Металът олово няма да изтече от продукта или да се видоизмени в него по време на нормална употреба, и концентрацията на метала олово в цялостния продукт е значително под приложимата прагова стойност. Моля, съобразете се с местните изисквания за изхвърляне на олово при изтичане на годността на продукта.

## Безопасност

### ПРЕДУПРЕЖДЕНИЕ Риск от повреда на имущество или сериозно нараняване

Уверете се, че сте прочели, разбирате и спазвате всички инструкции, преди да работите с инструмента. Неспазването на всички инструкции може да доведе до токов удар, пожар, материални щети и/или сериозни наранявания.

- ▶ Прочетете цялата "Информация за безопасност", доставена с различните части на системата.
- ▶ Прочетете всички "Инструкции за инсталация, работа и поддръжка" на различните части на системата.
- ▶ Прочетете всички местни нормативно приети разпоредби за безопасност по отношение на системата и нейните части.
- ▶ Запазете цялата "Информация за безопасност" и всички инструкции за бъдещи справки.

## Декларация за употреба

Този двигател е разработен, за да бъде вграден във фиксирана или подвижна машина. Той е или за въртене само с дясната ръка, само с лявата ръка или реверсивно въртене и трябва да бъде монтиран само за фланеца или резбования отвор, както е удачно. Не е разрешена друга употреба. Само за професионална употреба.

Рискът двигателите да бъдат източник на запалване на потенциално възпламеним въздух е много малък. Потребителят е отговорен за оценяването на рисковете, свързани с цялата машина, в която се вгражда моторът.

## Инструкции за този продукт

### Внимание

#### ПРЕДУПРЕЖДЕНИЕ Опасност от полимери

Перките на този продукт съдържат PTFE (синтетичен флуорополимер). Поради износване вътре в продукта може да има PTFE частици. При нагряване PTFE може да предизвика образуването на изпарения, които да причинят треска от полимерни изпарения с грипоподобни симптоми, особено при пушене на замърсен тютюн.

При боравене с перките и други компоненти трябва да се спазват препоръките за безопасност и опазване на здравето по отношение на PTFE:

- ▶ Забранено е пушенето, докато се извършва обслужване на продукта
- ▶ PTFE частиците не трябва да влизат в контакт с открит огън, пламък или източник на топлина
- ▶ Компонентите на мотора трябва да се третира с почистващ флуид, а не чрез продухване с въздушна линия
- ▶ Измивайте ръцете си преди извършване на други дейности

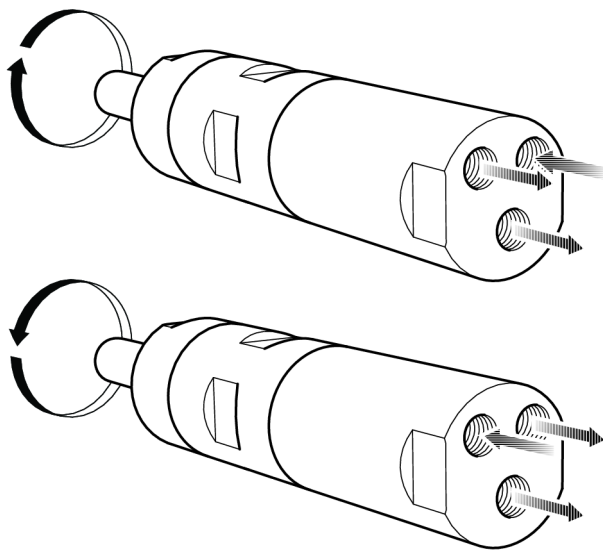
## Международна класификация на степента на защита

Международната класификация на степента на защита на пневматичните двигатели се определя в състояние под налягане и изключва изхода или прикращения шумозаглушител. Ако е необходимо двигателят да работи потопен или в досег със силни водни струи, се препоръчва изходът да бъде отведен извън водата чрез маркуч. При работа с потопен двигател винаги поддържайте налягането на двигателя по-голямо от съответната дълбочина.

## Свързване на въздухоподаването

Когато подаването на компресиран въздух е включено към входа, посоката на въртене ще бъде като посочената на фигурата по-долу. Ако отходният въздух ще се отведе, към изхода за газове трябва да се свърже маркуч.

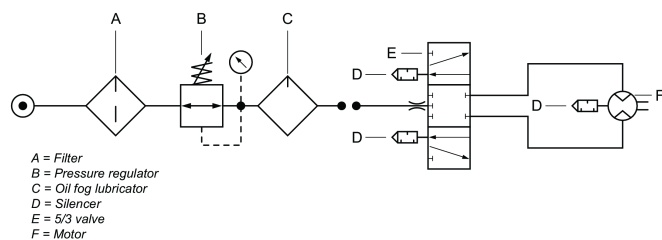
Подаването на компресиран въздух трябва да бъде свързано към съответния вход за желаната посока на въртене, вж. фигурата по-долу. Входът, който не се използва, действа като допълнителен изход и не трябва да се включва.



s015473

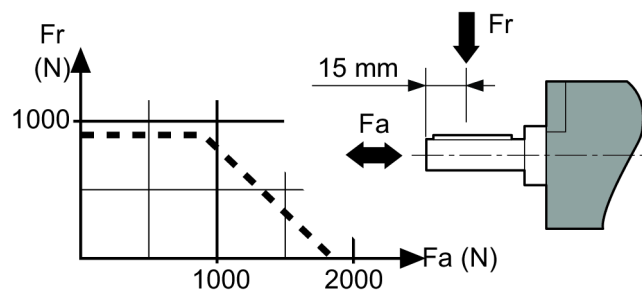
## Монтажна схема

Ревърсивен двигател



s015475

## Диаграма на зареждане на крана



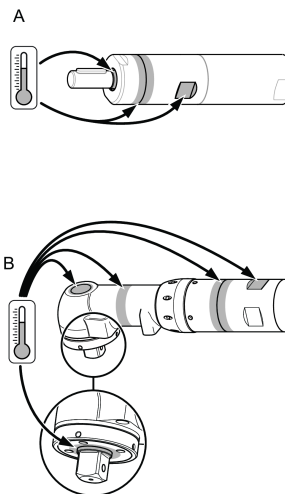
8000345

## Горещи места

Следните точки на прегряване на двигателя могат да достигнат високи температури по време на работа.

Изображението показва точки на прегряване за специфичните модели:

- Уплътнителен пръстен на изходящия вал (А, Б, В)
- Сглобка между предната част и зъбния венец (А, Б)
- Захват на ключа (А, Б)



002028601

Най-високите температури се появяват, когато двигателят работи на пълни обороти без натоварване. С увеличаване на въртящия се момент пневматичният двигател намалява скоростта на въртене и температурата.

## Внимание

Преди да използвате този двигател, се запознайте с инструкциите за работа.

Този двигател, неговите приложения и принадлежности трябва да се използват само за целта, за която са предназначени.

Във връзка с функционирането на уреда и от съображения за безопасност всяка модификация на двигателя или неговите принадлежности, която може да се отрази на функционирането на уреда, трябва да се съгласува с техническите експерти на производителя.

## За предотвратяване на наранявания или дългосрочни рискове:

- Ако двигателят е сертифициран по АТЕХ, филтъра/заглушителите трябва да се монтират към изходните портове.

За другите приложения също се препоръчват заглушители, за да се намали излагането на шум.

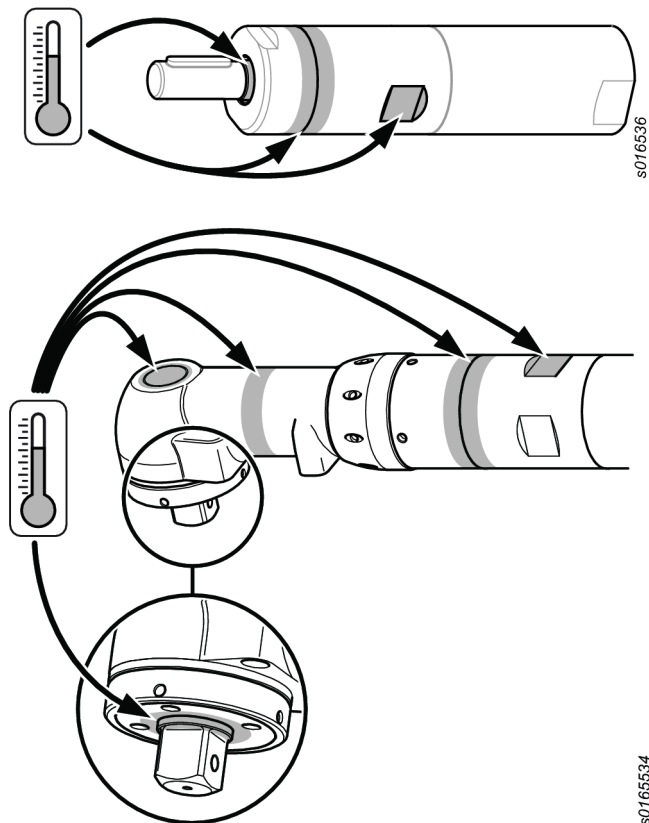
- Изключете двигателя от въздушната линия, преди да предприемете действия по регулиране.

- **Пазете ръцете, косата и дрехите си - винаги стойте на разстояние от въртящите се части.**

## Поддръжка

- Поддръжката и поправката на този АТЕХ продукт трябва да се осъществи само от оторизиран персонал, след като се проведе изпитване на празен ход и се измери температурата на точките на прегряване (както се вижда на фигурата), и се запише в протокола.

След провеждане на 5-минутно изпитване на празен ход, температурата на повърхността не трябва да надвишава сумата от 45°C + температурата на околната среда, където последната може да варира между 0 – 40°C.



### Общи инструкции за безопасност

За да се намали рискът от нараняване, всеки който използва, инсталира, поправя, поддържа, сменя принадлежности или работи в близост до този инструмент трябва да прочете и разбере тези инструкции преди да изпълни някоя от тези задачи.

Нашата цел е да произвеждаме инструменти, които ви помагат да работите безопасно и ефективно. Най-важното средство за безопасност за този или за който и да било друг инструмент сте вие самите. Вашето внимание и добра преценка са най-добрата защита срещу нараняване. Тук не могат да бъдат разгледани всички възможни рискове, но ние сме се опитали да изтъкнем някои от най-важните.

- Инструментът може да се сглобява, настройва и използва само от квалифицирано и подготвено обслужващо лице.
- Не модифицирайте инструмента и неговите принадлежности по какъвто и да е начин.
- Не използвайте този инструмент, ако е повреден.
- Ако знаците за номинална скорост, работно налягане или предупреждение престанат да бъдат четливи или се откачат, подменете незабавно.

### **i** За да получите допълнителна информация за безопасност, се консултирайте с:

- Допълнителната документация, предоставена с инструмента.
- Вашия работодател, професионален съюз и/или търговска асоциация.
- Допълнителна информация за здравето и безопасността на работното място може да бъде получена от следните интернет адреси:
  - <http://www.osha.gov> (САЩ)
  - <https://osha.europa.eu/> (Европа)

### Рискове при снабдяване с въздух и свързване

- Не насочвайте въздуха към себе си или към друг човек.
- Винаги изключвайте въздухоподаването, освобождавайте маркуча от въздушното налягане и прекъсвайте снабдяването с въздух на инструмента, когато не се използва, преди подмяна на принадлежности или когато се поправя.
- Никога не насочвайте въздушната струя към вас или към някой друг.
- Удар от свободен маркуч може да причини тежки наранявания. Винаги проверявайте маркучите и свързващите елементи за повреда или разхлабване.
- Не превишавайте въздушното налягане от 6,3 бара/90 psig или стойността, която е посочена на фирмената табелка на инструмента.

### Риск от заплитане

- Стойте встрани от ротационния драйв. Ако свободно облекло, ръкавици, бижута и коса не бъдат държани встрани от инструмента и аксесоарите, това може да доведе до удушаване, скалпиране и / или разкъсвания.

### Опасност от хвърчащи частици

- Ежедневно измервайте скоростта на ротационния шлайф или инструмента за полиране, за да сте сигурни, че тя не е по-голяма от оборотите в минута, обозначени на подложката, барабана или абразива.
- Уверете се, че околните носят устойчиви на удар защитни очила и маска за лице. Дори малките частици могат да наранят очите и да причинят ослепяване.
- Уверете се, че обработваният детайл е здраво захванат.

### Опасности при работа

- Захванете здраво уреда със скоба.
- Уверете се, че инструментът е напълно спрял преди да го отстраните.
- Винаги поставяйте контрола за стартиране, спирачка и аварийна спирачка на машината, в която е вграден двигателят/двигателят с постоянен въртящ момент.

### Опасности от шум

- Високите нива на шум може да доведат да трайна загуба на слух и други проблеми като шум в ушите. Използвайте шумозаглушителни предпазители за ушите както ви препоръчва вашия работодател или разпоредбите за безопасност.

- За да предотвратите ненужни повишения на нивата на шума, използвайте и поддържайте инструмента, избирайте, поддържайте и подменяйте принадлежностите и консумативите съгласно това ръководство за употреба.

#### Опасности на работното място

- Подхлъзване/Препъване/Падане са основни причини за сериозни наранявания или смърт. Внимавайте за оставен маркуч с голяма дължина на пешеходната зона или в работната зона.
- Избягвайте вдишване на прах или изпарения, или боравене с отломки от работния процес, които може да доведат до увреждане на здравето (напр. рак, родилни дефекти, астма и/или дерматит). Избягвайте вдишването на прах и използвайте маска, предпазваща дишането, когато работите с материали, които отделят частици, които се носят по въздуха.
- Някои прахове създадени в резултат на полиране, рязане, точене, пробиване с машина и други строителни дейности съдържат химикали, които са познати в щата Калифорния като причинители на рак и дефекти по рождение и могат да нанесат и други репродуктивни вреди. Някои примери за такива химикали са:
  - Олово и бои на оловна основа
  - Тухли и цимент от кристален силикат и други зидарски продукти
  - Арсен и хром от химически обработена гума

Излагането на тези рискове за вас зависи от това колко често извършвате работа от този вид. За да намалите излагането на тези химикали: работете в добре проветрявано помещение и с одобрена защитна екипировка като защитни маски против прах, които са специално изработени да филтрират микроскопични частици.

- При работа в непозната обстановка подхождайте с внимание. Имайте предвид евентуални опасности, предизвикани от вашата работа. Този инструмент не е изолиран против контакт с електрически източници.

#### НЕ ИЗХВЪРЛЯЙТЕ – ПРЕДАЙТЕ НА ПОТРЕБИТЕЛЯ

#### Знаци и стикери

Продуктът разполага със знаци и стикер, съдържащи важна информация за лична безопасност и поддръжка на продукта. Знаците и стикерите трябва винаги да бъдат лесни за четене. Могат да бъдат поръчани нови знаци и стикери чрез списъка на резервните части.



s011050

## Информация за сертификация по ATEX

### Температури

- Максималната температура на околната среда, при която е валидно сертифицирането, е 40°C.
- 40°C също е максимално разрешената температура на компресирания въздух, когато той навлиза в продукта.
- Ако продуктът е инсталиран в оборудване, цялото оборудване трябва да отговаря на изискванията на 2014/34/ЕС.
- Уверете се, че компресираният въздух отговаря на нашите изисквания за качество (класове на качество 2.4.3. и 3.4.4 отговарят съответно на 3.5.4 съгласно ISO/DIS 8573-1).
- Не надвишавайте максималното налягане от 6.3 бара, или както е отбелязано на фирмената табела на продукта. Надвишаването на работното налягане може да увеличи температурата на повърхността поради по-високата скорост на въртене и продуктът може да се възпламени.

### Предишна класификация

Ако продуктът е част от комплект, при който компонентите имат различни Предисни класификации, компонентът с най-ниското ниво на безопасност определя Предисната класификация на целия комплект.

### Съвети за предотвратяване на експлозия

#### Почистване

- Уверете се, че продукта е поддържан чист от прах и мръсотия, за да се предотвратят увеличаването на опората и температурата на повърхността.
- Ако използвате заглушител: Уверете се, че заглушителя е с филтър на изходната тръба, за да предотвратите влизането на загряти от триене частици в заобикалящата атмосфера.

#### Употреба

- Уверете се, че продукта е заземен към електрическата мрежа на работното място, например чрез аксесоари като маркучи и връзки за въздушно налягане.
- Ако отговорността на потребителя е да осигури продукт с всички възможни аксесоари за него като гаечни ключове и въздушни връзки, придържайте се към изискванията за сигурност за оборудване, използвано в потенциално експлозивни области.

**Определение на АТЕХ кода**

АТЕХ кодът е следният:



Ex II 2 G Ex h IIC T6 Gb  
 Ex II 2 D Ex h IIIC T85°C Db  
 $^{\circ}\text{C} \leq T_a \leq 40^{\circ}\text{C}$

Описание	Стойност	Определение
Група на оборудването	<b>II</b>	Обработка на повърхности
Категория на оборудването	<b>2</b>	Високо ниво на защита
<b>Група II</b>		<ul style="list-style-type: none"> <li>зона 1 (газ)</li> <li>зона 2 (газ)</li> <li>зона 21 (прах)</li> <li>зона 22 (прах)</li> </ul>
Атмосфера	<b>G</b>	Атмосфера, съдържаща газ, пари или мъгла
	<b>D</b>	Атмосфера, съдържаща прах
Безопасен дизайн	<b>h</b>	Механичен продукт
Газова група	<b>IIC</b>	Водород/ Ацетилен
	<b>IIB</b>	Етилен
Група „Праха“	<b>IIIC</b>	Повърхностен запалим прах
Максимална температура на повърхността в газова атмосфера		<b>T1</b> = 450°C <b>T2</b> = 300°C <b>T3</b> = 200°C <b>T4</b> = 135°C <b>T5</b> = 100°C <b>T6</b> = 85°C
Максимална температура на повърхността в прахова атмосфера		Примерни температури: <b>T85°C</b> <b>T110°C</b> <b>T120°C</b> <b>T125°C</b> <b>T240°C</b>
Специално ограничение, например температурен обхват на околната среда.	<b>X</b>	

**Полезна информация****Уебсайт**

Влезте в Atlas Copco: [www.atlascopco.com](http://www.atlascopco.com).

Можете да намерите информацията относно нашите продукти, принадлежности, резервни части и публикации на нашия уебсайт.

**Произход на продукта**

Моля вижте информацията върху етикета на продукта.

**Гаранция**

- Гаранцията на продукта ще изтече 12 месеца след първоначалното пускане в експлоатация и най-късно 13 месеца след доставката.
- Гаранцията не включва нормалното износване на части.
  - Нормално износване се нарича всякакъв вид износване, което изисква подмяна на част или други корекции/ремонт по време на стандартната поддръжка на инструментите за дадения период (изразен във време, експлоатационни часове или по друг начин).
- Гаранцията на продукта зависи от правилното използване, поддържане и ремонт на инструмента и неговите съставни части.
- В случай на повреда на части по време на гаранционния период, получена в резултат на неподходяща поддръжка или поддръжка, извършена от лица, които не са част от Atlas Copco или сертифицирани сервизни партньори, щетите няма да бъдат покрити от гаранцията.
- За да се избегнат повреди или унищожаване на части на инструмента, той трябва да бъде обслужван в съответствие с препоръчителните графици за поддръжка и при спазване на правилните инструкции.
- Гаранционните ремонти се извършват само в сервизи на Atlas Copco или от сертифицирани сервизни партньори.

Atlas Copco предлага удължена гаранция и съвременна превантивна поддръжка посредством договори с Tool-Cover. За допълнителна информация се свържете с Вашия местен сервизен представител.

За електромотори:

- Гаранцията важи само, когато електромоторът не е бил отварян.

**ServAid**

ServAid е портал, който съдържа техническа информация за всички хардуерни и софтуерни продукти като:

- регулаторна информация и информация за безопасност
- Технически данни
- Инструкции за монтаж, функциониране и обслужване
- Списъци с резервни части
- Аксесоари

ServAid се актуализира постоянно и е на разположение на: <https://servaid.atlascopco.com>

За допълнителна информация се свържете с Вашия местен представител на Atlas Copco.

## Информационни листи за безопасност MSDS/SDS

Информационните листи за безопасност описват химическите продукти, които се предлагат от Atlas Copco.

За повече информация посетете уебсайта:  
[www.atlascopco.com/sds](http://www.atlascopco.com/sds)

## Tehnički podaci

### Tehnički podaci

Kataloški br.	8411033965
Model	LZB34-RL-AR005-11
Utrošak zraka na slobodnoj brzini	l/s
Utrošak zraka na slobodnoj brzini	cfm
Utrošak zraka na maks. učinku	7.9 l/s
Utrošak zraka na maks. učinku	16.8 cfm
Moment kočenja	Nm
Moment kočenja	ft lb
Ugrađena kočnica	No
Materijal vanjskih dijelova	Stainless steel
Slobodna brzina	450 r/min
Maks. učinak	0.25 kW
Maks. učinak	0.34 hp
Min. početni moment	12.6 Nm
Min. početni moment	9.3 ft lb
Omjer	
Smjer okretanja	Reversible
Kod za opterećenje osovine	c
Vrsta osovine	Keyed
Brzina na maks. učinku	240 r/min
Moment zagušenja	19.6 Nm
Moment zagušenja	14.5 ft lb
Moment na maks. učinku	9.8 Nm
Moment na maks. učinku	7.2 ft lb
Vrsta lopatice	Lubrication free
Težina	1.2 kg
Težina	2.65 lb
Ulazno crijevo	10 mm
Ulazno crijevo	0.4 in
Stupanj zaštite elektroničke opreme	IP66/IP68/IP69
Izlazno crijevo	10 mm
Izlazno crijevo	0.4 in
Stupanj IP zaštite	IP66/IP68/IP69

## Stupanj IP zaštite

Stupanj IP zaštite kod pneumatskih motora se odnosi na mehaničko kućište u skladu sa standardom IEC 60529. Stupanj IP zaštite ne pokriva otpornost na koroziju niti bilo koju drugu tečnost osim čiste sveže vode.

## Izjave

### EU IZJAVA O UGRADNJI

Mi, Atlas Copco Industrial Technique AB, SE-105 23 STOCKHOLM SWEDEN, izjavljujemo pod vlastitom odgovornošću da ovaj proizvod (naziv, tip i serijski broj, vidi naslovnu stranu) ispunjava sljedeće osnovne zahtjeve Direktive o strojevima 2006/42/EC:

2006/42/EC (Annex I, clauses 1.1, 1.2 (excluding 1.2.4.3), 1.3, 1.4, 1.5, 1.6, 1.7)

I da je ovaj nepotpuni stroj u skladu i s odredbama sljedeće(ih) EU direktive(a):  
2014/34/EU (ATEX)

Ovaj nepotpuni stroj ne smije se staviti u uporabu dok se konačni stroj u koji ga treba ugraditi po potrebi ne uskladi s odredbama Direktive o strojevima 2006/42/EC.

Primijenjene su sljedeće Europske harmonizirane norme (odjeljci/stavke):

EN 1127-1:2019, EN ISO 12100:2010, EN ISO 80079-36:2016, EN ISO 80079-37:2016

Relevantna tehnička dokumentacija prikupljena je i izdana u skladu s Direktivom o strojevima 2006/42/EZ dio B Dodatka VII i Direktive ATEX 2014/34/EU čl. 13 (1) b) ii Nadležnog tijela ExVeritas ApS (identifikacijski broj u EU 2804) u Danskoj. Nadležna tijela mogu zahtijevati tehnički dokument za Direktivu ATEX 2014/34/EU u papirnatom obliku od:

<https://www.exveritas.com/2022/02/02/what-you-need-for-atex-and-ukca-explosive-atmosphere-certification-for-the-uk-and-eu-markets/>

Stockholm, 1 September 2023

**Håkan Andersson, Managing Director**

Potpis izdavatelja



## Lokalni uvjeti

### POZOR

Ovaj proizvod može vas izložiti kemikalijama, uključujući olovo, a prema državi Kaliforniji, olovo može prouzročiti rak i urođene mane ili druge probleme spolnog sustava. Za više informacija idite na [www.P65Warnings.ca.gov](http://www.P65Warnings.ca.gov)

## Informacije u vezi sa članom 33 Uredbe REACH

Europska uredba (EU) br. 1907/2006 o Registraciji, evaluaciji, autorizaciji i ograničavanju kemikalija (REACH) između ostalog definira zahtjeve vezane za komunikaciju u lancu opskrbe. Zahtjev za informacijama također se odnosi na proizvode koji sadrže takozvane tvari koje izazivaju veliku zabrinutost ("Popis kandidata"). 27. lipnja 2018. olovo (CAS br. 7439-92-1) je dodato na Popis kandidata.

U skladu s prethodnom napomenom, obavještavamo vas da određene mehaničke komponente u proizvodu mogu sadržati olovo. Ovo je u skladu s aktualnim propisima o ograničenju tvari i zasniva se na zakonskim izuzećima iz Direktive RoHS (2011/65/EU). Olovo iz proizvoda neće cureti ili mutirati tijekom normalne uporabe a koncentracija olova u gotovom proizvodu je znatno ispod primjenjive granične vrijednosti. Uzmite u obzir lokalne zahtjeve o zbrinjavanju olova na kraju životnog vijeka proizvoda.

## Sigurnost

### ⚠️ POZOR Opasnost od oštećenja imovine ili teške ozljede

Obavezno pročitajte i pobrinite se da razumijete sve upute prije korištenja alata. U slučaju nepridržavanja svih uputa može doći do strujnog udara, požara, oštećenja imovine i/ili teške ozljede.

- ▶ Pročitajte sve sigurnosne informacije isporučene s različitim dijelovima sustava.
- ▶ Pročitajte sve upute o proizvodu za ugradnju, rad i održavanje različitih dijelova sustava.
- ▶ Pročitajte sve lokalne zakonske sigurnosne propise koji se odnose na sustav i njegove dijelove.
- ▶ Spremite sve informacije i upute o sigurnosti za buduću uporabu.

## Izjava o uporabi

Ovaj je motor projektiran za ugradnju u fiksirani ili pomični stroj. On je ili za okretanje samo desnom rukom, samo lijevom rukom ili za okretanje u suprotnom smjeru i treba ga po potrebi ugraditi omčom s prirubnicom ili navojem. Nije dopuštena druga uporaba. Samo za profesionalnu uporabu.

Rizik da motori budu izvor zapaljenja u potencijalno eksplozivnoj atmosferi vrlo je malen. Korisnik je odgovoran za procjenu rizika povezanih s cijelim strojem u koji treba ugraditi motor.

## Upute specifične za proizvod

### Upozorenje

#### ⚠️ POZOR Opasnost od polimera

Lopaticice u ovom proizvodu sadržavaju PTFE (sintetički polimer fluora). Zbog trošenja čestice PTFE-a mogu biti u samom proizvodu. Zagrijani PTFE može stvarati dimove koji izazivaju groznicu od polimerskog dima sa simptomima poput gripe, a posebno kada se puši zaštićeni duhan.

Morate se pridržavati preporuka za PTFE kada radite s lopaticama i drugim komponentama:

- ▶ Ne pušite kada servisirate ovaj proizvod.
- ▶ Čestice PTFE-a ne smiju doći u kontakt s otvorenim plamenom, žarom ili toplinom.
- ▶ Komponente motora moraju se prati tekućinom za čišćenje, a ne ispuhivati pneumatskim vodom.
- ▶ Operite ruke prije nego što se počnete baviti nekom drugom aktivnošću.

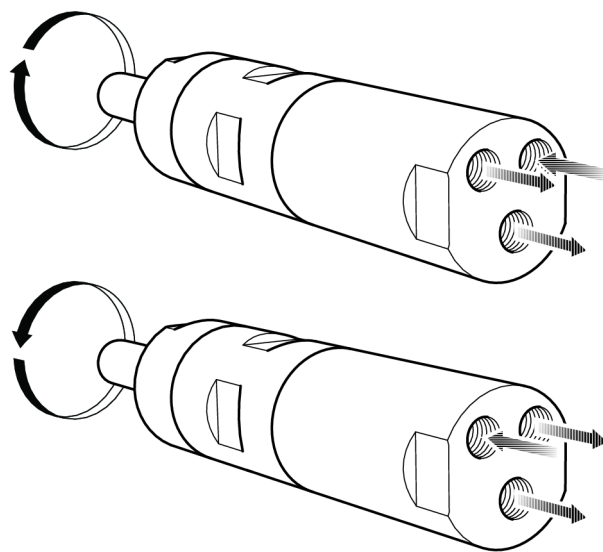
### Stupanj zaštite elektroničke opreme

Stupanj zaštite elektroničke opreme kod pneumatskih motora je podešen u uvjetima pod tlakom i ne uključuje utičnicu niti ugrađeni prigušivač. Ako će motor raditi uronjen ili pod jakim vodenim mlazovima, preporučljivo je izvući priključak iz vode uz pomoć crijeva. Kada je motor uronjen, uvijek ga držite pod tlakom većim nego što je tlak na odgovarajućoj dubini.

### Spajanje opskrbe zrakom

Kada spojite opskrbu komprimiranim zrakom na ulaz, smjer okretanja prikazuje se na donjoj slici. Ako treba cijevima odvoditi ispušni zrak, trebate spojiti crijevo na ispušni izlaz.

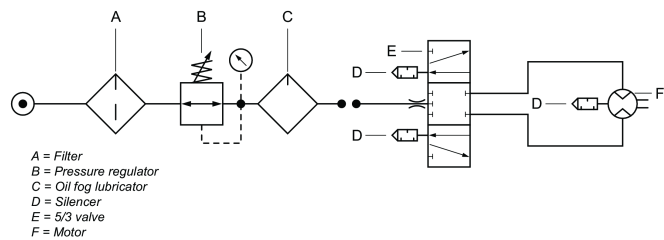
Opskrba komprimiranim zrakom treba se spojiti na odgovarajući ulaz za željeni smjer okretanja, vidi sliku dolje. Ulaz koji se ne koristi djeluje kao dodatni izlaz i ne smije se začepiti.



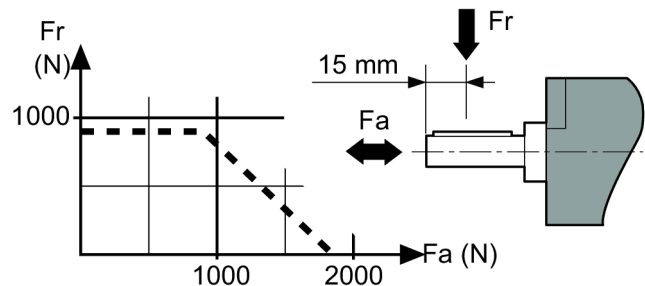
s015473

### Shema za ugradnju

Reverzibilni motor



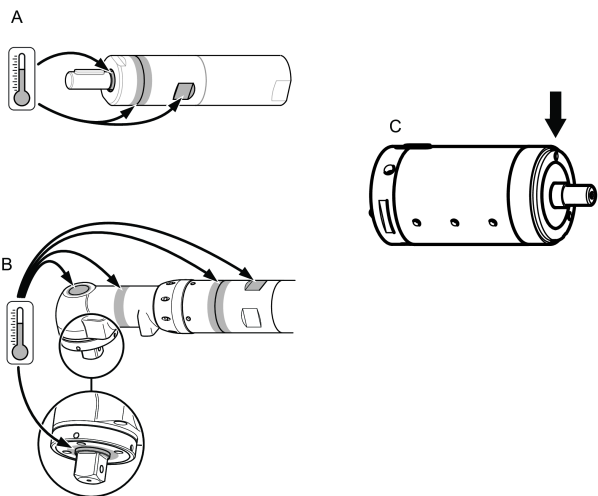
### Dijagram opterećenja osovine



### Vruće točke

Sljedeće vruće točke na motoru mogu doseći visoku temperaturu za vrijeme rada. Slika prikazuje vruće tačke za određene modele:

- Brtveni prsten na izlaznoj osovini (A, B, C)
- Spoj između prednjeg dijela i prstena prijenosnika (A, B)
- Prihvat ključa (A, B)



Najviša se temperatura pojavljuje kada motor radi pri punom tlaku bez opterećenja. S povećanim zakretnim momentom pneumatski motor smanjuje brzinu okretanja i temperaturu.

### Upozorenje

Pazite da budete upoznati s radnim uputama prije uporabe ovog motora.

Ovaj motor, njegovi priključci i pribor smiju se upotrijebiti samo u svrhu u koju su projektirani.

Zbog odgovornosti za proizvod i sigurnosti tehnička služba proizvođača mora odobriti svaku izmjenu motora ili njegovih priključaka koja bi mogla utjecati na odgovornost.

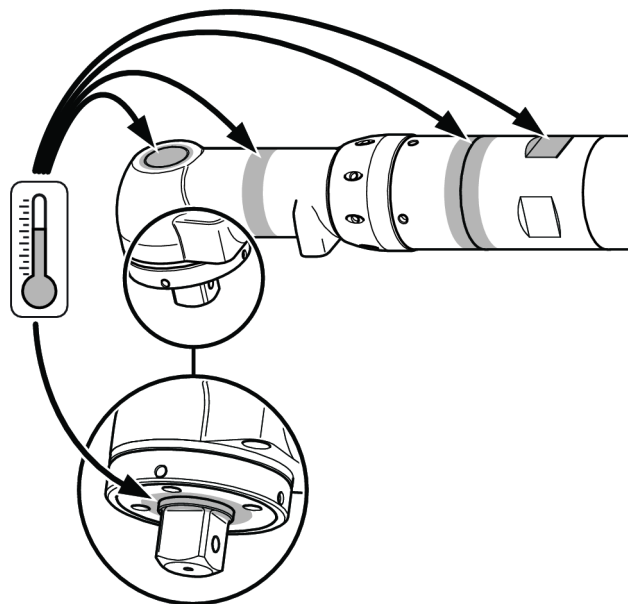
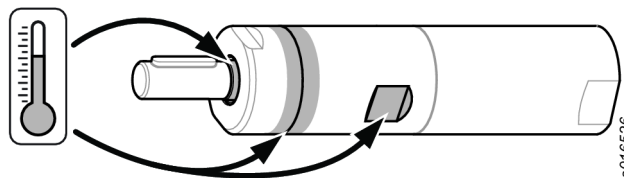
### Da spriječite osobnu ozljedu i dugoročne rizike:

- Ako motor ima ATEX certifikat, moraju se ugraditi filtri/prigušivači na izlazne priključke motora. Preporučujemo prigušivače i za druge primjene u svrhu smanjenja izlaganja buci.
- Prije svake radnje namještanja odspojite motor od voda za komprimirani zrak.
- Pazite na ruke, kosu i odjeću - uvijek ih držite daleko od okretnih dijelova.

### Održavanje

- Održavanje i popravke ovog proizvoda ATEX smije obavljati isključivo ovlašteno osoblje, a nakon njih treba obaviti ispitivanje bez opterećenja i mjerenja temperature na vrućim točkama (prema prikazu na slici) te sastaviti izvještaj o tome.

Nakon pet minuta ispitivanja bez opterećenja temperatura površine ne smije prekoračiti zbroj  $45^{\circ}\text{C}$  + okolne temperature, pri čemu temperatura okruženja može varirati između  $0 - 40^{\circ}\text{C}$ .



### Opće sigurnosne upute

Radi smanjenja rizika od ozljeda svi koji upotrebljavaju, instaliraju, servisiraju, održavaju, mijenjaju pribor ili rade u blizini ovog alata moraju pročitati i razumjeti ove upute prije obavljanja svakog zadatka.

Naš je cilj izrađivati alate kojima se radi sigurno i učinkovito. Najvažniji sigurnosni uređaj za ovaj ili neki drugi alat ste VI. Vaša briga i dobra prosudba najbolja su zaštita od ozljeda. Sve moguće opasnosti ovdje se ne mogu obuhvatiti, ali smo pokušali istaknuti neke koje su bitne.

- Ovaj pneumatski alat smije namještati ili upotrebljavati samo kvalificirano i uvježbano osoblje.
- Ovaj alat i njegov pribor ne smiju se mijenjati ni na koji način.
- Ne upotrebljavajte ovaj alat ako je bio oštećen.
- Ako znakovi o procijenjenoj brzini, radnom tlaku ili upozorenjima o opasnosti na alatu više nisu čitljivi ili otpadnu, odmah ih zamijenite.

### **i** Za dodatne sigurnosne informacije pogledajte u:

- Ostale dokumente i informacije upakirane s ovim alatom.
- Svojem poslodavcu, sindikatu i/ili trgovačkom udruženju.
- Druge informacije o zdravlju i sigurnosti na radnom mjestu možete dobiti na sljedećim internetskim stranicama:
  - <http://www.osha.gov> (SAD)
  - <https://osha.europa.eu/> (Europa)

### Opskrba zrakom i opasnosti pri spajanju

- Zrak pod tlakom može prouzročiti teške ozljede.
- Uvijek zatvorite dovod zraka, ispustite tlak iz crijeva i odspojite alat s dovoda zraka kada se on ne upotrebljava, prije zamjene pribora ili pri popravcima.
- Nikada ne usmjeravajte zrak izravno prema sebi ili drugima.
- Nekontrolirano pomicanje crijeva može prouzročiti teške ozljede. Uvijek provjerite jesu li crijeva i priključci oštećeni ili labavi.
- Nemojte prekoračivati maksimalni tlak zraka od 6,3 bara/90 psi ili onaj koji je naveden na nazivnoj pločici alata.

### Opasnosti od zahvaćanja pokretnim dijelovima

- Držite se daleko od okretnog pogona. Može doći do gušenja, čupanja kose i/ili porezotina ako ne držite labavu odjeću, rukavice, nakit, ogrlice i kosu daleko od alata i njegovog pribora.

### Opasnosti od letećih čestica

- Uvijek nosite zaštitu za oči i lice otpornu na udarce kada se nalazite u blizini mjesta rada ili radite alatom, pri popravcima i održavanju alata ili kada mijenjate pribor na alatu.
- Uvjerite se da sve druge osobe u blizini nose štitnike za oči i lice otporne na udarce. Čak i sitni projektili mogu ozlijediti oči i uzrokovati sljepoću.
- Pazite da radni komad bude dobro pričvršćen.

### Opasnosti pri radu

- Dobro pričvrstite alat.
- Pazite da se alat potpuno zaustavi prije uklanjanja radnog komada.
- Uvijek prilagodite upravljače za pokretanje, zaustavljanje i zaustavljanje u nuždi stroju u koji se ugrađuje motor/regulacijski motor.

### Opasnosti od buke

- Visoka razina buke može izazvati trajno oštećenje sluha i druge probleme kao npr. tinitus. Upotrijebite zaštitu za uši prema preporukama poslodavca ili u skladu s propisima o sigurnosti na radu i zaštiti zdravlja.
- Da spriječite nepotrebno povećanje razine buke, upotrebljavajte i održavajte alat te odaberite, održavajte i mijenjajte pribor i potrošni materijal u skladu s ovim uputama za uporabu.

### Opasnosti na radnom mjestu

- Klizanje/spoticanje/pad glavni su uzroci teški ozljeda ili smrti. Pazite na višak crijeva koje je ostavljeno na prolaznoj ili radnoj površini.
- Izbjegavajte udisanje prašine ili dima ili rukovanje ostacima iz radnog procesa koji mogu ugroziti zdravlje (na primjer, uzrokovati rak, urođene mane, astmu i/ili dermatitis). Upotrijebite opremu za uklanjanje prašine i nosite zaštitnu opremu za disanje kada radite s materijalima koji stvaraju čestice u zraku.
- Neke vrste prašine koje nastaju pjeskarenjem, rezanjem, brušenjem, bušenjem i drugim proizvodnim aktivnostima sadrže kemikalije koje su u državi Kaliforniji poznate kao izazivači raka i urođenih mana ili štetno djeluju na reproduktivnost. Neki primjeri takvih kemikalija su:
  - Olovo od boja na bazi olova
  - Cigle od silikatnih materijala, cement i drugi zidarski proizvodi
  - Arsen i krom iz kemijski tretirane gume

Vaš rizik od ovih izlaganja mijenja se ovisno o načinu na koji obavljate ovu vrstu posla. Da smanjite svoju izloženost ovim kemikalijama: Radite u dobro provjetranim područjima i radite s odobrenom sigurnosnom opremom kao što su maske za zaštitu od prašine koje su posebno projektirane da filtriraju mikroskopske čestice.

- U nepoznatim sredinama radite pažljivo. Vodite računa o mogućim opasnostima koje možete izazvati svojim radom. Ovaj alat nije izoliran u slučaju kontakta s izvorima električnog napajanja.

---

### NE BACAJTE - PREDAJTE KORISNIKU

---

### Znakovi i naljepnice

Proizvod ima znakove i naljepnice koje sadrže važne informacije o osobnoj sigurnosti i održavanju proizvoda. Znakovi i naljepnice uvijek moraju biti dobro čitljivi. Možete naručiti nove znakove i naljepnice u skladu s popisom zamjenskih dijelova.



s011050

### Informacije o certifikaciji ATEX

#### Temperature

- Maksimalna temperatura okruženja za koju vrijedi certifikacija iznosi 40°C.

- 40°C je također maksimalna dopuštena temperatura komprimiranog zraka kada on uđe u proizvod.
- Ako se proizvod ugrađuje u opremu, cijela oprema mora biti u skladu s Direktivom 2014/34/EU.
- Osigurajte da komprimirani zrak ispunjava zahtjeve za kvalitetu (razredi kvalitete 2.4.3. i 3.4.4 ili 3.5.4 u skladu s normom ISO/DIS 8573-1:2010).
- Ne prekoračujte maksimalni tlak od 6,3 bara ili onaj koji je naveden na nazivnoj pločici proizvoda. Prekoračenje radnog tlaka može povećati površinsku temperaturu zbog veće brzine okretanja i proizvod može postati izvor zapaljenja.

### Klasifikacija prema razredu zaštite od eksplozije

Ako je proizvod dio sklopa u kojem komponente imaju različitu klasifikaciju prema razredu zaštite od eksplozije, komponenta s najnižom razinom sigurnosti definira klasifikaciju prema razredu zaštite od eksplozije kompletnog sklopa.

### Smjernice za zaštitu od eksplozije

#### Čistoća

- Pobrinite se da se proizvod redovito čisti od prašine i prljavštine kako bi se spriječilo povećanje temperature ležaja i površine.
- Ako se koristi prigušivač: Pobrinite se da prigušivač s funkcijom filtra bude ugrađen na izlazu zraka kako bi se spriječilo da čestice zagrijane trenjem dospiju u okolnu atmosferu.

#### Uporaba

- Osigurajte da proizvod bude uzemljen na spojni sustav radionice za izjednačenje potencijala, na primjer putem pribora, kao što su crijeva i spojevi za komprimirani zrak.
- Korisnik je odgovoran osigurati da proizvod i sav mogući pribor, kao što su ključevi i zračni spojevi budu u skladu s nacionalnim sigurnosnim propisima za opremu koja se upotrebljava u potencijalno eksplozivnim područjima.

### Definicija koda ATEX

#### ATEX kod:



Ex II 2 G Ex h IIC T6 Gb

Ex II 2 D Ex h IIIC T85°C Db

$^{\circ}\text{C} \leq T_a \leq 40^{\circ}\text{C}$

Opis	Vrijednost	Definicija
Grupa opreme	<b>II</b>	Industrija obrade površine

Opis	Vrijednost	Definicija
Kategorija opreme	<b>2</b>	Visoka razina zaštite
<b>Grupa II</b>		<ul style="list-style-type: none"> <li>• zona 1 (plin)</li> <li>• zona 2 (plin)</li> <li>• zona 21 (prašina)</li> <li>• zona 22 (prašina)</li> </ul>
Atmosfera	<b>G</b>	Atmosfera koja sadrži plin, pare ili maglicu
	<b>D</b>	Atmosfera koja sadrži prašinu
Sigurnosno-tehničko projektiranje	<b>h</b>	Mehanički proizvod
Grupa plina	<b>IIC</b>	Vodik/acetilen
	<b>IIB</b>	Etilen
Grupa prašine	<b>IIIC</b>	Površinska zapaljiva prašina
Maks. temperatura površine u <b>plinovit</b> atmosferi		<b>T1</b> = 450 °C <b>T2</b> = 300°C <b>T3</b> = 200°C <b>T4</b> = 135°C <b>T5</b> = 100°C <b>T6</b> = 85°C
Maks. temperatura površine u <b>prašnjav</b> atmosferi		Primjeri temperature: <b>T85</b> °C <b>T110</b> °C <b>T120</b> °C <b>T125</b> °C <b>T240</b> °C
Posebno ograničenje, na primjer opseg okolne temperature.	<b>X</b>	

### Korisne informacije

#### Web stranica

Prijavite se na Atlas Copco: [www.atlascopco.com](http://www.atlascopco.com).

Možete pronaći informacije o proizvodima, priboru, zamjenskim dijelovima i izdanjima na našoj internetskoj stranici.

#### Zemlja podrijetla

Pogledajte informacije na naljepnici proizvoda.

## Jamstvo

- Jamstvo za proizvod istječe 12 mjeseci nakon prvog korištenja proizvoda, no u svakom slučaju istječe najkasnije 13 mjeseci nakon isporuke.
- Jamstvo ne pokriva uobičajeno habanje dijelova.
  - Normalno habanje je ono koje zahtijeva zamjenu dijela ili druga prilagođavanja/remont tijekom standardnih održavanja alata tipičnih za to razdoblje (izraženo u vremenu, radnim satima ili na drugi način).
- Jamstvo za proizvod pretpostavlja pravilnu uporabu, održavanje i popravak alata te njegovih sastavnih dijelova.
- Jamstvo neće pokriti oštećenja dijelova do kojih dođe zbog nepravilnog održavanja ili onog kojega provodi netko drugi osim Atlas Copco ili njihovog certificiranog servisnog partnera tijekom razdoblja jamstva.
- Kako bi se izbjeglo oštećenje ili uništenje dijelova alata, servisirajte alat u skladu s preporučenim rasporedima održavanja i pridržavajte se pravilnih uputa.
- Popravci koje obuhvaća jamstvo provode se samo u radionicama tvrtke Atlas Copco ili njezinih certificiranih servisnih partnera.

Atlas Copco nudi prošireno jamstvo i najsuvremenije preventivno održavanje unutar svojih ugovora s tvrtkom ToolCover. Za više informacija se obratite svojem lokalnom predstavniku.

Za električne motore:

- Jamstvo vrijedi samo ako električni motor nije otvaran.

## ServAid

ServAid je portal koji sadrži tehničke informacije za sve hardverske i softverske proizvode, primjerice:

- regulatorne i sigurnosne informacije,
- tehničke podatke,
- upute za ugradnju, rad i servisiranje,
- popise zamjenskih dijelova,
- dodatnu opremu.

ServAid se neprekidno ažurira i dostupan je na: <https://servaid.atlascopco.com>

Za više informacija se obratite lokalnom predstavniku tvrtke Atlas Copco.

## Sigurnosno-tehnički listovi MSDS/SDS

Sigurnosno-tehnički list opisuje kemijske proizvode koje prodaje Atlas Copco.

Za više informacija posjetite web stranicu: [www.atlascopco.com/sds](http://www.atlascopco.com/sds)

## Tehnilised andmed

### Tehnilised andmed

Tellimiskood	8411033965
--------------	------------

Mudel	LZB34-RL-AR005-11
Õhutarve vabakäigukiirusel	l/s
Õhutarve vabakäigukiirusel	cfm
Õhutarve max võimsusel	7.9 l/s
Õhutarve max võimsusel	16.8 cfm
Pidurduse väändemoment	Nm
Pidurduse väändemoment	ft lb
Sisseehitatud pidur	No
Välisõsade materjal	Stainless steel
Tühikäigukiirus	450 p/min
Suurim väljundvõimsus	0.25 kW
Suurim väljundvõimsus	0.34 hj
Min lähteväändemoment	12.6 Nm
Min väändemoment käivitusel	9.3 ft lb
Suhtarv	
Pöörlemissuund	Reversible
Võllikoormuse kood	c
Võlli tüüp	Keyed
Kiirus max väljundvõimsusel	240 p/min
Seiskumisjõud	19.6 Nm
Seiskumisjõud	14.5 ft lb
Väändemoment max väljundvõimsusel	9.8 Nm
Väändemoment max väljundvõimsusel	7.2 ft lb
Laba tüüp	Lubrication free
Kaal	1.2 kg
Kaal	2.65 lb
Sisselaskevoolik	10 mm
Sisselaskevoolik	0.4 in
IP-kaitseklass	IP66/IP68/IP69
Väljalaskevoolik	10 mm
Väljalaskevoolik	0.4 in
IP klass	IP66/IP68/IP69

## IP klass

Õhumootorite IP klass kirjeldab mehaanilist korpust vastavalt standardile IEC 60529. IP klass ei hõlma korrosioonikindlust ega muid vedelikke peale puhta magevee.

## Deklaratsioon

### EL-I ÜHENDAMISDEKLARATSIOON

Meie, **Atlas Copco Industrial Technique AB**, SE-105 23 STOCKHOLM SWEDEN, deklareerime oma täielikul vastutusel, et see toode (nime, tüübi ja seerianumbri leiate esilehelt) on vastavuses masinadirektiivi 2006/42/EÜ järgmiste oluliste nõuetega.

2006/42/EC (Annex I, clauses 1.1, 1.2 (excluding 1.2.4.3), 1.3, 1.4, 1.5, 1.6, 1.7)

Ja see osaliselt komplekteeritud masin vastab järgmis(t)e EL-i direktiivi(de) sätetele.  
2014/34/EU (ATEX)

Seda osaliselt komplekteeritud masinat ei tohi võtta kasutusele enne kui lõppmasin, millega see ühendatakse, on deklareeritud olevat vastavuses masinadirektiivi 2006/42/EÜ sätetega, kus see on vajalik.

Rakenduvad järgmised Euroopa ühtlustatud standardid (nende osad/punktid).

EN 1127-1:2019, EN ISO 12100:2010, EN ISO 80079-36:2016, EN ISO 80079-37:2016

Asjakohaline tehniline dokumentatsioon on koostatud ning seda on kommuniqueeritud vastavalt masinadirektiivi 2006/42/EÜ lisa VII osale B ja ATEX direktiivi 2014/34/EL artiklile 13 (1) b) ii teavitatud asutuses ExVeritas ApS (ELi identifitseerimisnumber 2804) Taanis. Ametiasutused võivad kooskõlas ATEX direktiiviga 2014/34/EL nõuda paberkujul tehnilist dokumenti, mille peab saatma:

<https://www.exveritas.com/2022/02/02/what-you-need-for-atex-and-ukca-explosive-atmosphere-certification-for-the-uk-and-eu-markets/>

Stockholm, 1 September 2023

**Håkan Andersson, Managing Director**

Väljaandja allkiri



## piirkondlikud nõuded

### ⚠ HOIATUS

Selle toote kasutamisel võite kokku puutuda kemikaalide, sh pliiga, mis põhjustab California osariigile teadolevatel andmetel vähki ja sünnidefekte või muud reproduktiivset kahju. Lisateabe saamiseks külastage veebilehte [www.P65Warnings.ca.gov](http://www.P65Warnings.ca.gov)

## Teave seoses REACH-määruse artikliga 33

Euroopa (EÜ) määrus nr 1907/2006, mis käsitleb kemikaalide registreerimist, hindamist, autoriseerimist ja piiramist (REACH), määratleb muuhulgas tarneahela kommunikatsiooniga seotud nõuded. Teabenõue kehtib ka toodetele, mis sisaldavad nn väga ohtlikke aineid („kandidaatainete loetelu“). 27. juunil 2018 lisati kandidaatainete loetellu plii (CAS nr 7439-92-1).

Ülaltoodust tulenevalt anname teile teda, et toote teatud mehaanilised komponendid võivad sisaldada pliid. See on kooskõlas kehtivate ainete kasutamise piiramise õigusaktidega ja põhineb ohtlike ainete kasutamise piiramise direktiivi (RoHS-määrus, 2011/65/EÜ) õiguslikel eranditel. Plii ei leki ega muteeru tootest tavapärasel kasutamisel ning pliisisaldus kogu tootes on kohaldatavast piirväärtusest tunduvalt väiksem. Toote kasutusea lõppedes arvestage plii kõrvaldamisel kohalikke eeskirju.

## Ohutus

### ⚠ HOIATUS Vara kahjustamise või tõsiste vigastuste oht

Enne tööriista kasutamist veenduge, et olete lugenud kõiki juhiseid, olete neist aru saanud ja järgite neid. Kasvõi mõne juhise eiramine võib tuua kaasa elektrilöögi, süttimise, kahjustusi varale ja/või tõsise kehavigastuse.

- ▶ Lugege läbi kogu ohutusteave, mis tarniti koos süsteemi erinevate osadega.
- ▶ Lugege läbi kõik süsteemi erinevate osade paigaldamise, kasutamise ja hooldamisega seotud tootjuhised.
- ▶ Lugege läbi kõik kohalikult jõustatud ohutuseeskirjad seoses süsteemi ja selle osadega.
- ▶ Hoidke kogu ohutusteave ja juhised hilisemaks uuesti läbivaatamiseks alles.

## Avaldus kasutamise kohta

See mootor on loodud paigaldamiseks fikseeritud või liikvasse masinasse. Mootor on kas ainult parempoolsele töösuunale, ainult vasakpoolsele töösuunale või mitmele töösuunale ning selle peab paigaldama ainult kas ääriku või keermestatud kinnitusega nii nagu on kohane. Muuks otstarbeks kasutamine on keelatud. Seade on vaid professionaalseks kasutamiseks.

Oht, et mootorid võivad potentsiaalselt plahvatusohtlikus keskkonnas põhjustada süttimise, on äärmiselt väike. Kasutaja vastutab ohtude hindamise eest, millised on seotud masinaga, kuhu mootor tahetakse paigaldada.

## Tootespetsiifilised juhised

### Hoiatus

#### ⚠ HOIATUS Polümeeri oht

Antud toote labad sisaldavad PTFE-d (sünteetiline fluorpolümeer). Kulumise tulemusena võivad toote sees leiduda PTFE osakesed. Kuumutatud PTFE-st võib eralduda suitsu, mis võib põhjustada gripilaadsete sümptomitega polümeeri suitsu palavikku, seda eriti saastunud tubakatoodete suitsetamisel.

Labade ja muude komponentide käsitlemisel järgida PTFE kohta käivaid töötavishoiu- ja ohutusega seotud soovitusi:

- ▶ ärge suitsetage antud toote hooldamise ajal;
- ▶ PTFE osakesed ei tohi puutuda kokku lahtise leegi, hõõgumise või kuumusega;
- ▶ mootoridetailid tuleb vedelikuga puhtaks pesta mitte õhuvoolikuga puhtaks puhuda;
- ▶ Peske käed enne järgmise tegevuse juurde asumist puhtaks

## IP klass

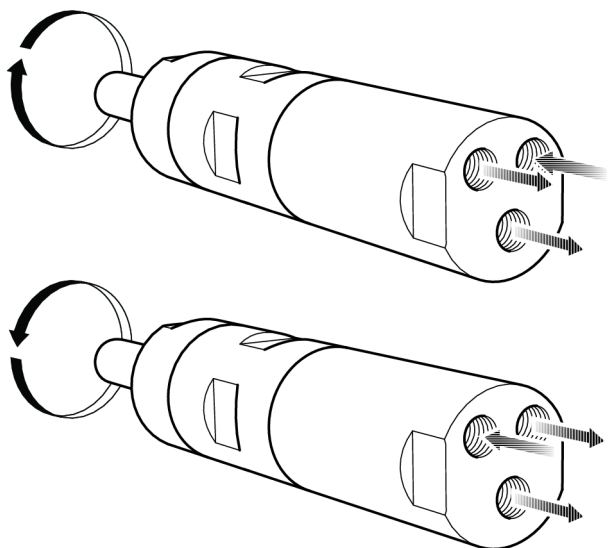
Õhumootorite IP klass määratakse rõhu all ja see ei hõlma väljalaskeava või paigaldatud summutit. Kui mootor töötab vedeliku sees või tugevate veejuga all, soovitate suunata

väljalaskeava vooliku abil veest eemale. Vedelikus paiknev mootor tuleb alati survestada mootori sügavusest kõrgema rõhuga.

### Õhuvarustuse ühendamine

Kui sisselaskega on ühendatud suruõhuvarustus, on pöörlemissuund vastavalt allnäidatud joonisele. Kui väljundõhk tuleb eemale juhtida, ühendage voolik väljalaske külge.

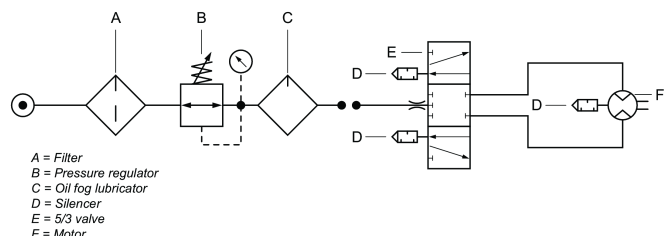
Suruõhuvarustus tuleb ühendada soovitud pöörlemissuunale vastavasse sisselaskesse, vt järgnevat joonist. Sisselase, mida ei kasutata, toimib täiendava väljalaskena ja see peab jääma avatuks.



8015473

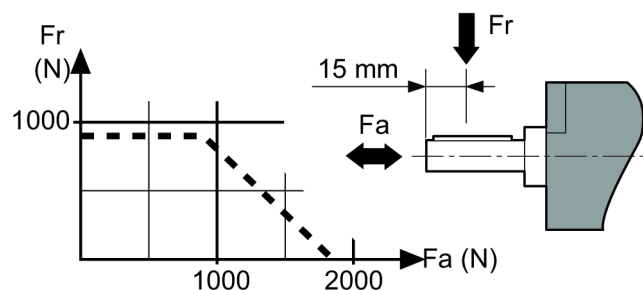
### Paigalduskeem

Tagasipööratav mootor



8015475

### Võllikoormuse skeem



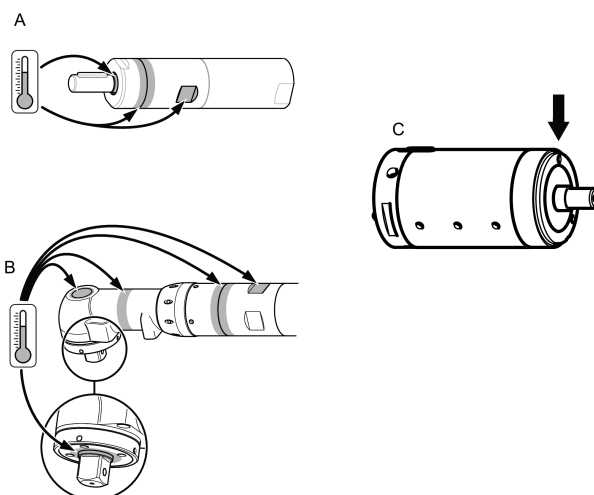
8000345

### Kuumad punktid

Suruõhumootorite allkirjeldatud punktid võivad töötamise ajal kuumeneda kõrge temperatuurini. Pildil on näidatud konkreetsete mudelite kuumenevad punktid:

- Käitusvõlli tihendusrõngas (A, B, C)

- Esiosa ja ajamirõnga vaheline ühendus (A, B)
- Võtme haardekoht (A, B)



100262667

Kõrgeimad temperatuurid tekivad, kui mootor töötab täisrõhul ilma koormuseta. Pöördemomendi suurendamisel väheneb õhumootori pöörlemiskiirus ning temperatuur.

### Hoiatus

Enne mootori kasutamist veenduge, et olete tööjuhistest aru saanud.

Mootorit, selle lisasid ja tarvikuid võib kasutada ainult nende jaoks ette nähtud eesmärkidel.

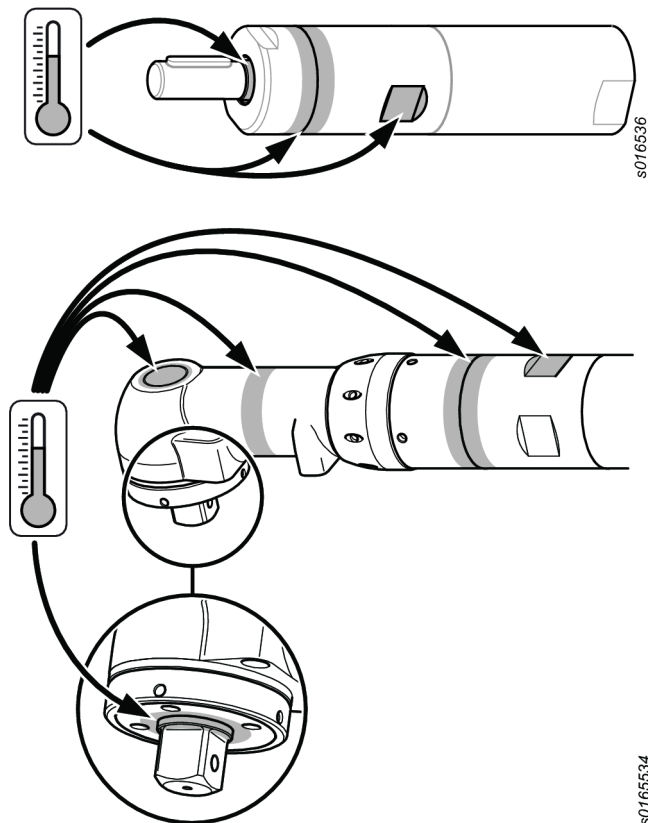
Toote vastutuse ja ohutuse põhjustel, peavad kõik mootori või selle tarvikute juures tehtavad muudatused, millised võivad avaldada mõju toote vastutusele, olema eelnevalt kooskõlastatud tootja tehnilise osakonnaga.

### Kehavigastuste ning pikaajaliste ohtude vältimiseks:

- Kui mootor on ATEX-sertifikaadiga, tuleb mootori väljundavadele paigaldada filtrid/summutid. Mürataseme vähendamiseks soovitatakse summuteid kasutada ka teiste rakenduste juures.
- Enne reguleerimistoiminguid tuleb mootor õhuvoolikust lahti ühendada.
- Olge tähelepanelikud oma käte, juuste ja riietuse suhtes - hoidke need pöörlevatest detailidest ohutus kauguses.

### Hooldus

- ATEX-toote hooldust ja remonti võivad teostada ainult selleks volitatud isikud. Hoolduse või remondi järel tuleb teostada kuumpunktide temperatuuri mõõtmine (vt joonist) ning koostada saadud andmeid sisaldav aruanne. Peale 5 minutit väldanud koormuseta testimist ei tohi pinnatemperatuur ületada võrrandi  $45^{\circ}\text{C} + \text{ümbritsev temperatuur}$  summat, kus ümbritsev temperatuur võib kõikuda vahemikus  $0 - 40^{\circ}\text{C}$ .



## Üldised ohutusjuhised

Vigastuste ohu vähendamiseks peavad kõik seda tööriista kasutavad, paigaldavad, hooldavad, selle juures lisatarvikuid vahetavad või läheduses töötavad isikud mõistma käesolevaid juhiseid enne iga sellise ülesande teostamist.

Meie eesmärk on valmistada tööriista, mis aitavad teil töötada ohutult ja tõhusalt. Kõige olulisem ohutusvahend nii selle kui ka muude tööriistade puhul olete te ise. Teie hool ja hea otsustusvõime on parim kaitse vigastuste vastu. Kõiki võimalikke ohte ei suuda me siin hõlmata, kuid toome esile mõned olulisemad.

- Mootortööriista võivad paigaldada, reguleerida ja kasutada üksnes kvalifitseeritud ja väljaõppinud töötajad.
- Käesolevat tööriista ega selle lisaseadmeid ei tohi muuta.
- Ärge kasutage kahjustatud tööriista.
- Kui tööriistal asuvad nimikiiruse, töösurve või ohuhoiatuse märgid muutuvad loetamatuks või tulevad küljest, asendage need koheselt uutega.

### **i** Lisateabe saamiseks ohutuse kohta küsige nõu või tutvuge:

- tööriistaga kaasasolevate muude dokumentide ja teabega;
- oma tööandjalt, ühingult ja/või ametühingult.
- Lisateavet töötervishoiu ja ohutuse kohta saate veebisaitidelt:
  - <http://www.osha.gov> (USA)
  - <https://osha.europa.eu/> (Euroopa)

### Õhuvarustuse ning ühendusega seotud ohud

- Survestatud õhk võib põhjustada tõsiseid vigastusi.

- Kui seadet ei kasutata, enne lisatarvikute vahetamist või seadme parandamist tuleb alati õhuvarustus kinni keerata, vabastada voolik rõhu alt ning ühendada tööriista õhuvarustusest lahti.
- Ärge suunake õhku enda või ükskõik kelle teise suunas.
- Pekslevad voolikud võivad põhjustada tõsiseid vigastusi. Kontrollige alati võimalike vigastatud või lahtiste voolikute või tarvikute suhtes.
- Ärge ületage maksimaalset 6,3 bar / 90 psig või tööriista nimiplaadil toodud õhu survet.

### Takerdumisohud

- Hoidke eemale pöörlevast ajamist. Kui tööriistast ja tarvikutest ei hoita eemal lahtisi riidesemeid, kindaid, ehteid, kaelas kantavaid esemeid ja juukseid, võib tulemuseks olla lämbumine, skalpimine ja / või rebestus.

### Lendavatest osakestest tulenevad ohud

- Tööriista töötamise, parandamise ja hooldamise või tarvikute vahetamise ajal või läheduses olles kandke alati löögikindlat silma- ja näokaitset
- Veenduge, et teised läheduses viibivad isikud kannaksid löögikindlat silma- ja näokaitset Silmavigastust ja pimedaksjäämist võivad põhjustada isegi väikesed lendavad osakesed.
- Veenduge, et töödeldav ese oleks korralikult kinnitatud.

### Kasutamisega seotud ohud

- Kinnitage tööriist kindlalt.
- Enne töödeldava eseme eemaldamist veenduge, et tööriist on täielikult seiskunud.
- Kinnitage alati masinale, kuhu mootor / induktsioonmootor paigaldatakse, käivitamise, seiskamise ja avarii-seiskamise juhtnupud.

### Müraga seotud ohud

- Kõrge müratase võib põhjustada täieliku kuulmise kaotuse ja teisi probleeme, näiteks kõrvades kumisemist või vilistamist. Kasutage teie tööandja või töötervishoiu ja ohutuse eeskirjade poolt ettenähtud kuulmiskaitsevahendeid.
- Mürataseme mittevajaliku suurenemise vältimiseks kasutage ja hooldage tööriista ning valige, hooldage ja vahetage tarvikuid ja kulumaterjale kooskõlas käesoleva kasutusjuhendiga.

### Töökohaga seotud ohud

- Libisemine, vääratamine või kukkumine on peamised kehavigastuste või surma põhjused. Pange tähele kõndimisalale või tööpinna jäänud ülejäänud voolikut.
- Vältige tolmu või aurude sissehingamist ning tööprotsessis tekkiva prahi käsitlemist, kuna see võib kahjustada tervist (näiteks vähki, sünnidefekte, astmat ja/või dermatiiti). Kasutage tolmu ärastamist ning kandke hingamise kaitsevahendeid töötades lenduvaid osakesi tekitavate materjalidega.
- Osa mootortööriistadega lihvimisel, saagimisel, freesimisel, puurimisel ja teiste ehitustegevuste käigus tekkinud tolmu sisaldab keemilisi ühendeid, mis võivad California osariigi andmetel põhjustada vähki, sünnidefekte ning teisi reproduktiivseid kahjustusi. Mõned näited sellistest keemilistest ühenditest on järgmised.

- Pliipõhistes värvides sisalduv plii.
- Kristalse räni tellised ja tsement ning teised müüritistooted.
- Keemiliselt töödeldud kummis sisalduv arseen ja kroom.

Teile nende kokkupuudete tulemusel osaks saava ohu suurus sõltub sellest, kui sageli te sellist tüüpi tööd teete. Nende kemikaalidega kokkupuudete vähendamiseks: töötage hästi tuulutatud piirkonnas ning kandke töötamisel heakskiidetud ohutusvarustust, näiteks tolmmaske, mis on mõeldud spetsiaalselt mikroskoopiliste osakeste välja filtreerimiseks.

- Tundmatus ümbruskonnas töötage ettevaatlikult. Teadke oma töötegevusest tingitud potentsiaalseid ohte. Käesolev tööriist ei ole isoleeritud vooluallikatega kokku puutumise suhtes.

## ÄRGE VISAKE ÄRA - ANDKE KASUTAJALE

### Märgid ja kleebised

Tootele on paigaldatud olulise isikliku ohutusteabega ja toote hooldusteabega märgid ja kleebised. Paigaldatud märgid ja kleebised peavad olema alati loetavad. Uute märkide ja kleebiste tellimiseks kasutage varuosade loendit.



s011050

## ATEX sertifitseerimisteave

### Temperatuurid

- Maksimaalne keskkonnatemperatuur, mille korral sertifikaat kehtib, on 40 °C.
- 40 °C on samuti tootesse siseneva suruõhu suurim lubatud temperatuur.
- Kui toode on paigaldatud seadmesse, peab kogu seade vastama määrusele 2014/34/EL.
- Veenduge, et suruõhk vastaks meie kvaliteedistandarditele (kvaliteediklassid 2.4.3, 3.4.4 ja 3.5.4 vastavalt standardile ISO/DIS 8573-1:2010).
- Ärge ületage suurimat lubatud rõhku 6,3 bar või see, mis on kirjas toote andmesildil. Tööõhu suurendamine võib suurema pöörlemiskiiruse tõttu suurendada pinnatemperatuuri ning toode võib muutuda süüteallikaks.

### Ex klassifikatsioon

Kui toode on osaks agregaadist, mille teistel komponentidel on erinev Ex klassifikatsioon, määrab kogu agregadi Ex klassifikatsiooni madalaima tasemega komponent.

### Plahvatusohu vältimise juhised

#### Puhtus

- Laagri- ja pinnatemperatuuri kerkimise vältimiseks hoidke toode tolmust ja mustusest puhtana.

- Summuti kasutamine: paigaldage kindlasti summuti, mille õhu väljalaskes on filter, et vältida hõõrdumisest kuumenenud osakeste sattumist ümbritsevasse keskkonda.

### Kasutamine

- Veenduge, et toode on maandatud töökoja potentsiaal-iühtlustussüsteemi, näiteks läbi tarvikute nagu voolikud ja suruõhuühendused.
- Kasutaja on kohustatud tagama, et toode ja kõik võimalikud tarvikud nagu mutrivõtmed ja õhuühendused vastavad potentsiaalselt plahvatusohtlikes piirkondades kasutatavatele seadmetele kehtivatele riiklikele ohutuseeskirjadele.

### ATEX-koodi definitsioon

#### ATEX-kood:



Ex II 2 G Ex h IIC T6 Gb

Ex II 2 D Ex h IIIC T85°C Db

°C ≤ Ta ≤ 40 °C

Kirjeldus	Väärtus	Definitsioon
Seadmete rühm	<b>II</b>	Pinnatööstus
Seadmete kategooria	<b>2</b>	Kõrge kaitsetase <ul style="list-style-type: none"> <li>• tsoon 1 (gaas)</li> <li>• tsoon 2 (gaas)</li> <li>• tsoon 21 (tolm)</li> <li>• tsoon 22 (tolm)</li> </ul>
<b>Rühm II</b>		
Keskkond	<b>G</b>	Gaasi, auru või udu sisaldav keskkond
	<b>D</b>	Tolmu sisaldav keskkond
Ohutuslahendus	<b>h</b>	Mehaaniline toode
Gaasi rühm	<b>IIC</b>	Vesinik/atsetüleen
	<b>IIB</b>	Etüleen
Tolmu rühm	<b>IIIC</b>	Põlev pinnatolm
Max pinnatemperatuur <b>gaasi</b> sisaldavas keskkonnas		<b>T1</b> = 450 °C <b>T2</b> = 300 °C <b>T3</b> = 200 °C <b>T4</b> = 135 °C <b>T5</b> = 100 °C <b>T6</b> = 85 °C
Max pinnatemperatuur <b>tolmu</b> sisaldavas keskkonnas		Näidistemperatuurid. T85 °C T110 °C T120 °C T125 °C T240 °C

Kirjeldus	Väärtus	Definitsioon
Eripiirang, näiteks keskkonnatemperatuuri vahemik.	X	

## Kasulik teave

### Veebileht

Logi sisse Atlas Copco: [www.atlascopco.com](http://www.atlascopco.com).

Meie veebilehelt leiate teavet meie toodete, tarvikute, tagavaraosade ja avaldatud materjalide kohta.

### Päritolumaa

Palun vaadake tootesildil olevat teavet.

### Garantii

- Tootegarantii aegub 12 kuud pärast toote esmakordset kasutuselevõtmist, kuid aegub kindlasti hiljemalt 13 kuud pärast tarnimist.
- Garantii alla ei kuulu komponentide tavapärane kulumine.
  - Tavapärane kulumine on protsess, mis nõuab komponenti vahetamist või muud reguleerimist/remonti tööriistade standardse sellele perioodile (mida väljendatakse ajas, töötundides vms) tavapärase hoolduse käigus.
- Toote garantii põhineb tööriista ja selle komponentide õigel kasutamisel, hooldamisel ja remontimisel.
- Garantii alla ei kuulu komponentide kahjustumine, mis leidis aset garantiiperioodi vältel ebaadekvaatse või mõne muu poole, kui Atlas Copco või selle sertifitseeritud teeninduspartnerite poolt teostatud hoolduse tulemusena.
- Tööriista osade kahjustumise või hävinemise vältimiseks hooldage tööriista vastavalt soovitatud hooldusgraafikutele ja pidage kinni õigetest juhistest.
- Garantiiremonte teostatakse ainult Atlas Copco töökodades või sertifitseeritud teeninduspartnerite juures.

Pakub Atlas Copco ToolCover lepingute abil pikendatud garantiid ja tipptasemel ennetavat hooldust. Lisateabe saamiseks võtke ühendust kohaliku teenindusesindajaga.

Elektrimootorid:

- Garantii kehtib ainult juhul, kui elektrimootorit ei ole avatud.

### ServAid

ServAid on portaal, mis sisaldab tehnilist teavet kõikide riistvara- ja tarkvaratoodete kohta, muuhulgas nt:

- õiguslik ja ohutusteave;
- tehnilised andmed;
- paigaldamis-, kasutamise- ja hooldusjuhised;
- varuosade loendid;
- lisatarvikud.

ServAidi uuendatakse pidevalt ja leiate selle siit: <https://servaid.atlascopco.com>

Lisateabe saamiseks võtke ühendust kohaliku Atlas Copco esindajaga.

### Ohutuskaardid MSDS/SDS

Ohutuskaardid kirjeldavad Atlas Copco poolt müüdavaid keemiatooteid.

Lisateabe saamiseks külastage veebilehte: [www.atlascopco.com/sds](http://www.atlascopco.com/sds)

## Techniniai duomenys

### Techniniai duomenys

Užsakymo Nr.	8411033965
Modelis	LZB34-RL-AR005-11
Oro sąnaudos laisvąja eiga	l/sek
Oro sąnaudos laisvąja eiga	cfm
Oro sąnaudos esant maks. galingumui	7.9 l/sek
Oro sąnaudos esant maks. galingumui	16.8 cfm
Stabdymo sukio momentas	Nm
Stabdymo sukio momentas	pėdos, svarai
Įmontuotas stabdys	No
Išorinių dalių medžiaga	Stainless steel
Laisvosios eigos sukiai	450 r/min
Maks. galingumas	0.25 kW
Maks. galingumas	0.34 hp
Min. pradinis sukio momentas	12.6 Nm
Min. pradinis sukio momentas	9.3 pėdos, svarai
Santykis	
Sukimosi kryptis	Reversible
Veleno apkrovos kodas	c
Veleno tipas	Keyed
Sūkiai esant maks. galingumui	240 r/min
Užgesimo sukio momentas	19.6 Nm
Užgesimo sukio momentas	14.5 pėdos, svarai
Sūkio momentas esant maks. galingumui	9.8 Nm
Sūkio momentas esant maks. galingumui	7.2 pėdos, svarai
Mentės tipas	Lubrication free
Svoris	1.2 kg
Svoris	2.65 lb
Įleidimo žarna	10 mm
Įleidimo žarna	0.4 coliai
Apsaugos nuo įsilaužimo įvertinimas	IP66/IP68/IP69
Išleidimo žarna	10 mm
Išleidimo žarna	0.4 coliai

IP Reitingas

IP66/IP68/IP69

## IP Reitingas

Oro variklių IP reitingas rodo mechaninio korpuso atitikimą pagal IEC 60529 standartą. IP reitingas neapima atsparumo korozijai ar kitiems skysčiams, išskyrus švarų gėlą vandenį.

## Deklaracijos

### ES ĮMONTAVIMO DEKLARACIJA

Mes, **Atlas Copco Industrial Technique AB**, SE-105 23 STOCKHOLM SWEDEN, vienašališkos atsakomybės pagrindu pareiškiamo, kad šis gaminys (įskaitant pavadinimą, tipą ir serijos numerį, žr. pirmame puslapyje), atitinka šiuos pagrindinius Mašinų direktyvos 2006/42/EB reikalavimus:

2006/42/EC (Annex I, clauses 1.1, 1.2 (excluding 1.2.4.3), 1.3, 1.4, 1.5, 1.6, 1.7)

Ir, kad šis iš dalies sukomplektuotas mechanizmas atitinka šios (-ių) kitos (-ų) ES direktyvos (-ų) nuostatas: 2014/34/EU (ATEX)

Šis dalinai sukomplektuotas mechanizmas neturi būti pradėtas naudoti tol, kol nebus deklaruota galutinės mašinos, į kurią jis turi būti įmontuotas, atitiktis, pagal Mašinų direktyvos 2006/42/EB nuostatas, kai taikytina.

Taikyti šie darnieji Europos standartai (jų dalys / punktai):

EN 1127-1:2019, EN ISO 12100:2010, EN ISO 80079-36:2016, EN ISO 80079-37:2016

Techninė dokumentacija yra parengta ir paskelbta pagal Mašinų direktyvos 2006/42/ES VII Priedo B dalį ir ATEX Direktyvos 2014/34/EB 13 straipsnio (1) b ii notifikuojoje įstaigoje ExVeritas ApS (ES identifikacijos Nr. 2804), Danijoje. ATEX direktyvos 2014/34/ES techninės bylos institucijos gali pareikalauti popieriuje atspausdintos versijos iš: <https://www.exveritas.com/2022/02/02/what-you-need-for-atex-and-ukca-explosive-atmosphere-certification-for-the-uk-and-eu-markets/>

Stockholm, 1 September 2023

**Håkan Andersson, Managing Director**

Išdavėjo parašas



## regioniniai reikalavimai

### ⚠️ ĮSPĖJIMAS

Šis produktas gali sukelti jums pavojų dėl cheminių medžiagų poveikio, įskaitant šviną – Kalifornijos valstija žino, kad tai gali sukelti vėžį, apsigimimų ir kitą žalą reprodukcinei sistemai. Daugiau informacijos rasite [www.P65Warnings.ca.gov](http://www.P65Warnings.ca.gov)

## Informacija apie 33 Straipsnį dėl cheminių medžiagų registracijos, įvertinimo, autorizacijos ir apribojimų (REACH)

Europos Parlamento ir Tarybos reglamento (EB) Nr. 1907/2006 dėl cheminių medžiagų registracijos, įvertinimo, autorizacijos ir apribojimų (REACH) tarp kitų dalykų pateikia reikalavimus dėl bendravimo tiekimo grandinėje. Informacijos pateikimo reikalavimas taip pat yra taikomas ir produktams, kuriuose yra taip vadinamos labai didelį susirūpinimą keliančiomis medžiagomis ("Kandidatų sąrašas") 2018 birželio 27d. švino metalas (CAS nr 7439-92-1) buvo įtrauktas į Kandidatų sąrašą.

Pagal šį punktą, jūs turite būti informuojami apie tai, kad tam tikri produkte esantys mechaniniai komponentai gali turėti švino metalo. Šią informaciją reikia pateikti laikantis šiuo metu galiojančios medžiagų apribojimo teisės akto, pagrįsto teisėtomis išimtimis, nurodytomis dėl tam tikrų pavojingų medžiagų naudojimo elektros ir elektroninėje įrangoje apribojimo (2011/65/EU) direktyvoje. Švino metalas neturi praskverbti arba mutuoti gaminyje, jį naudojant normaliomis aplinkybėmis, o jo koncentracija užbaigtame produkte yra daug žemesnė nei jam taikoma riba. Prašom laikytis vietos reikalavimų atsikratant švinu, esančiu gaminyje, pasibaigus gaminio naudojimo laikui.

## Sauga

### ⚠️ ĮSPĖJIMAS Turto sugadinimo arba sunkaus sužalojimo rizika

Prieš eksploatuodami įrankį, būtinai perskaitykite ir supraskite visas instrukcijas bei jomis vadovaukitės. Jei bus nesilaikoma visų instrukcijų, galite patirti elektros smūgį, gali kilti gaisras, būti sugadintas turtas ir (arba) patirtas sunkus sužalojimas.

- ▶ Perskaitykite visą saugos informaciją, gautą su įvairiomis sistemos dalimis.
- ▶ Perskaitykite visas įvairių sistemos dalių sumontavimo, naudojimo ir techninės priežiūros produkto instrukcijas.
- ▶ Perskaitykite visus vietinius įstatyminius potvarkius, susijusius su sistema ir jos dalimis.
- ▶ Išsaugokite visą saugos informaciją ir instrukcijas, kad prireikus vėliau galėtumėte pasiskaityti.

## Naudojimo deklaracija

Šis variklis skirtas įmontuoti į pritvirtintą ar judantį įrenginį. Jis yra skirtas sukurti tik dešine arba kaire ranka, arba tik grįžtamuju sukimu, todėl turi būti montuojamas tik atitinkamai ties flanšu ar srieginiu snapeliu. Draudžiama naudoti šį gaminį kitam. Tik profesionaliam naudojimui.

Rizika, kad varikliai taps uždegimo ar potencialiai sprogios atmosferos šaltiniu, yra itin maža. Naudotojas atsako už rizikos, susijusios su visu įrenginiu, į kurį bus įmontuojamas variklis, įvertinimu.

## Specialios gaminio instrukcijos

### Įspėjimas

#### ⚠️ **ISPĖJIMAS** Polimerų keliamas pavojus

Šio gaminio menčių sudėtyje yra PTFE (sintetinio fluopolimero). Dėl dėvėjimosi PTFE dalelių gali būti gaminio viduje. Įkaitę PTFE dalelės gali pradėti smilkti ir gali sukelti polimerų garų karštinę, kurios simptomai yra panašūs į peršalimo, ypač, rūkant užterštus tabako gaminius.

Dirbant su šiomis rotorius mentėmis ir kitomis įrankio dalimis reikia laikytis sveikatos ir saugos rekomendacijų dėl PTFE:

- ▶ Prižiūrėdami šį gaminį nerūkykite
- ▶ PTFE dalelės neturi turėti sąlyčio su atvira ugnimi, karščiu ar šiluma
- ▶ Variklio komponentus reikia plauti valikliu, jų negalima valyti pučiant suslėgtą orą
- ▶ Prieš pradėdami dirbti kokius nors kitus darbus nusiplaukite rankas

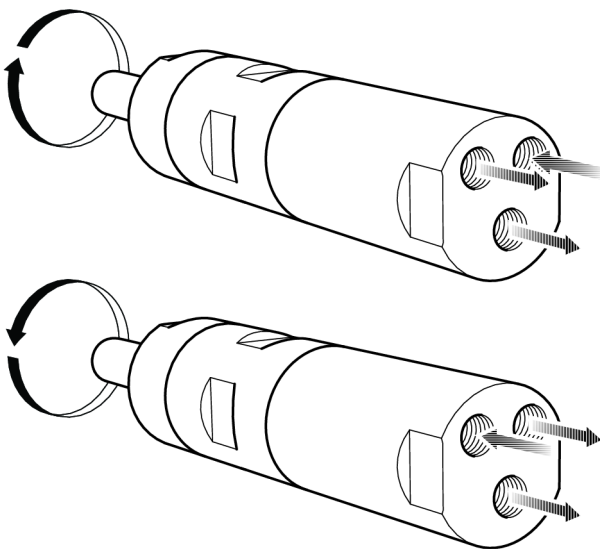
### IP Reitingas

Oro variklių IP reitingas yra nustatomas esant slėgiui ir neįtraukiant išleidimo angos arba prijungiamo duslintuvo. Jei variklis veikia po vandeniu arba esant stiprioms vandens srovėms, rekomenduojama išleidimo angą naudojant žarną iškelti virš vandens. Panardinus, variklį visada laikykite didesniame slėgyje nei atitinkamo gylio slėgis.

### Oro tiekimo prijungimas

Kai prie įleidimo angos prijungiamas suslėgtas oras, sukimosi kryptis bus tokia, kaip parodyta toliau esančiame paveikslėlyje. Jei išmetamą orą reikia nuvesti į išorę, žarną reikia prijungti išmetimo angos.

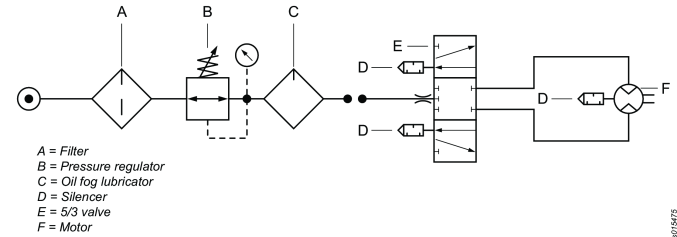
Suslėgtą orą reikia prijungti prie atitinkamos įleidimo angos pagal norimą sukimosi kryptį, žr. toliau esantį paveikslėlį. Nenaudojama įleidimo anga veikia kaip papildoma išleidimo anga, jos nereikia užkimšti.



s015473

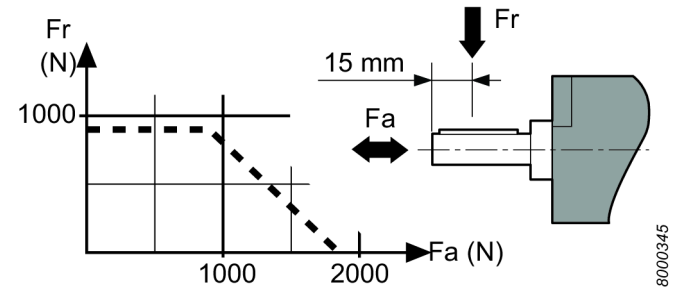
### Sumontavimo schema

Reversinis variklis



0105475

### Veleno apkrovos diagrama

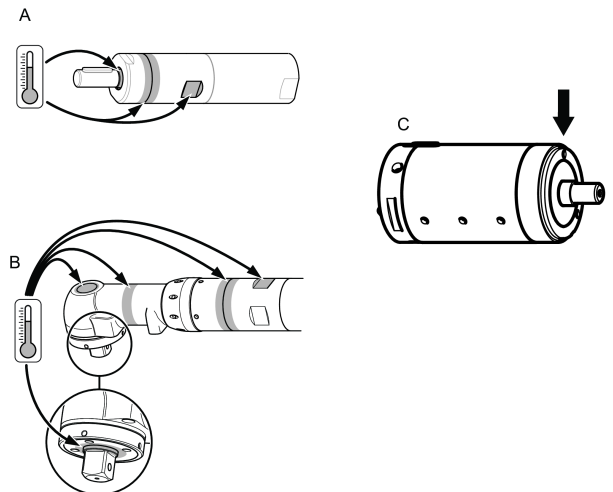


8000345

### Karštieji taškai

Nurodytos variklio vietos eksploatacijos metu gali labai įkaisti. Paveikslėlyje yra parodytos atskirų variklių kaistančios vietos:

- Sandarinimo žiedas ant išleidimo veleno (A, B, C)
- Jungė tarp priekinės dalies ir pavaros žiedo (A, B)
- Rakto rankena (A, B)



100205001

Temperatūra gali pakilti aukščiausiai, kai variklis veikia visu slėgiu be apkrovos. Didėjant sukimo momentui pneumatinis variklis mažina sukimosi greitį ir temperatūrą.

### Įspėjimas

Prieš pradėdami naudoti šį variklį, įsitikinkite, kad susipažinote su naudojimo instrukcijomis.

Variklis, jo priedai ir aksesuarai turi būti naudojami tik pagal paskirtį.

Atsakomybės už gaminį ir saugos sumetimais, dėl bet kokių variklio ar jo priedų modifikavimų, kurie gali paveikti atsakomybę už gaminį, turi būti susitarta su gamintojo specialistu, atsakingu už techniką.

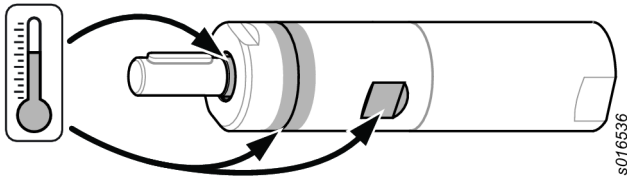
**Kad apsaugotumėte nuo žmonių sužalojimo ir ilgalaikių pavojų:**

- Jei variklis yra su ATEX sertifikatu, prie variklio išleidimo angų reikia įrengti filtrą / duslintuvus.  
Slopintuvai rekomenduojami ir kitais atvejais, siekiant sumažinti triukšmą.
- Prieš atlikdami bet kokius keitimo darbus atjunkite variklį nuo pneumatinės linijos.
- **Stebėkite savo rankas, plaukus ir drabužius – pasirūpinkite, kad jie visada būtų atokiai nuo besisukančių dalių.**

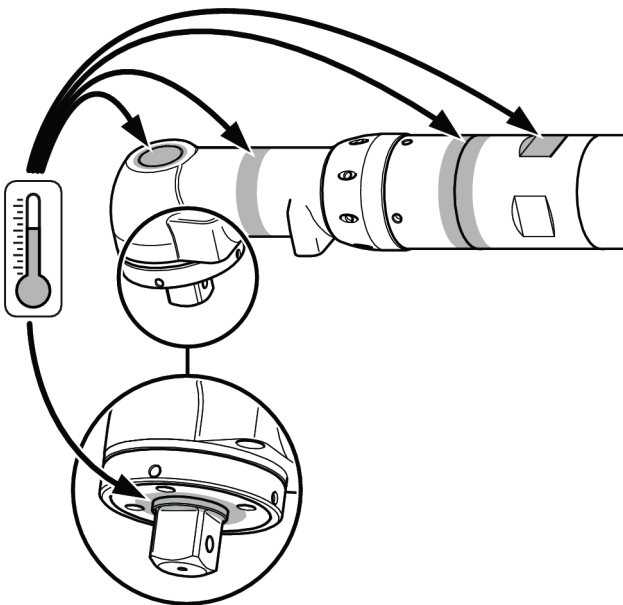
**Techninė priežiūra**

- ATEX gaminio techninės priežiūros ir remonto darbus turi atlikti tik įgaliotas personalas, po šių darbų turi būti atlikta gaminio patikra be apkrovos bei įkaistančių vietų (kaip pavaizduota paveikslėlyje) temperatūros matavimai ir užfiksuoti ataskaitoje kartu su temperatūros matavimais.

Po 5 minučių patikros be apkrovos paviršiaus temperatūra neturi viršyti 45°C + aplinkos temperatūros, kai aplinkos temperatūra gali būti 0 – 40°C.



s016536



s016534

**Bendrosios saugos instrukcijos**

Kad sumažintumėte susižalojimo pavojų, kiekvienas naudojantis, montuojantis, taisantis, prižiūrintis, keičiantis priedus arba dirbantis šalia prietaiso asmuo turi perskaityti ir suprasti šias instrukcijas prieš atlikdamas kurią nors iš šių užduočių.

Mūsų tikslas – gaminti įrankius, kurie padėtų jums dirbti saugiai ir efektyviai. Jūs esate labiausiai atsakingas už šio ar bet kurio kito prietaiso saugų naudojimą. Jūsų atsargumas ir teisingas įvertinimas yra geriausia apsauga nuo susižalojimų. Čia negalime aptarti visų galimų pavojų, bet pabrėžiame keletą svarbiausių.

- Tiktai kvalifikuoti ir apmokyti operatoriai turi instaliuoti, derinti ar naudotis šiuo elektriniu įrankiu.
- Šis įrankis ir jo priedai negali būti keičiamas jokiu būdu.
- Nenaudokite šio įrankio, jei jis apgadintas.
- Jei nebeįžiūrėti arba atplyšo lipdukai su įrankio vardiniu greičiu, darbinio slėgiu ar įspėjamieji su darbu susijusių pavojų ženklai, juos iškart pakeiskite.

**ⓘ Papildomos saugos informacijos ieškokite:**

- Kitus dokumentus ir informaciją, pateiktą kartu su šiuo įrankiu.
- Savo darbdavį, profesinę sąjungą ir (arba) prekybos asociaciją.
- Daugiau darbų saugos informacijos galite gauti šiuose tinklalapiuose:
  - <http://www.osha.gov> (JAV)
  - <https://osha.europa.eu/> (Europa)

**Oro tiekimo ir jungčių pavojai**

- Suspaustas oras gali sukelti sunkių sužalojimų.
- Prieš keisdami priedus arba atlikdami taisymus, visada išjunkite oro tiekimą, oro slėgio nusausinimo žarną ir atjunkite prietaisą nuo oro tiekimo, kai jo nenaudojate.
- Niekada nenukreipkite oro tiesiogiai į save ar bet kurį kitą asmenį.
- Susisukusios žarnos gali sukelti sunkių sužalojimų. Visada patikrinkite, ar nėra pažeistų arba laisvų žarnų arba pritvirtinimų.
- Neviršykite maksimalaus 6,3 bar / 90 psig oro slėgio arba nurodyto prietaiso pavadinimo lentelėje.

**Įsipainiojimo pavojai**

- Laikykites atokiai nuo besisukančios pavaros. Jei nelaikysite laisvų drabužių, pirštinių, papuošalų ir kaklo aksesuarų atokiau nuo prietaiso ir priedų, galite uždusti ir (arba) patirti plėštinių žaizdų.

**Pavojai, susiję su išsviedžiamomis dalelėmis**

- Visuomet naudokitės smūgiams atspariomis akių ir veido apsaugos priemonėmis, kai dirbate ar esate šalia dirbančio įrankio, remontuojate ar prižiūrite jį, ar keičiate įrankio detales.
- Visi kiti asmenys, esantys netoliese, turi dėvėti poveikiui atsparią akių ir veido apsaugą. Net smulkios lakstančios dalelės gali sužeisti akis ar apakinti.
- Pasirūpinkite, kad ruošinys būtų tvirtai užfiksuotas.

**Su darbu susiję pavojai**

- Tvirtai suspauskite įrankį.
- Prieš nuimdami apdorojamą detalę pasirūpinkite, kad įrankis būtų visiškai sustojęs.

- Visada pritaikykite paleidimo, sustabdymo ir avarinio sustabdymo valdiklius prie įrenginio, į kurį bus įmontuojamas variklis / sukimo momento variklis.

### Triukšmo pavojai

- Įrankio keliamas didelis triukšmas gali negrįžtamai pakentti klausai ir sukelti kitų problemų, pavyzdžiui, spengimą ausyse. Naudokite ausų apsaugas, kurias rekomenduoja jūsų darbdavys ar darbuotojų sveikatos ir saugos teisės aktai.
- Kad išvengtumėte nereikalingo triukšmo lygio padidėjimo, naudokite ir prižiūrėkite įrankį, pasirinkite, prižiūrėkite ir keiskite priedus ir sunaudojamas dalis pagal šias naudojimo instrukcijas.

### Pavojai darbo vietoje

- Paslydimas, suklupimas ar griuvimas yra pagrindinės sunkių ar mirtinų sužeidimų priežastys. Saugokitės žarnų paliktų vietoje, kur vaikstoma, arba darbo srityje.
- Stenkitės neįkvėpti dulkių ar garų ir liesti lūženų darbo metu, nes tai gali būti pavojinga sveikatai (pavyzdžiui, sukelti vėžį, apsigimimus, astmą ir (arba) dermatitą). Dirbdami su medžiagomis, kurios skleidžia daleles į orą naudokite dulkių ištraukimo sistemas ir dėvėkite apsaugines kvėpavimo priemones.
- Kai kuriose dulkėse sukeltose šlifavimo, pjovimo, gręžimo ir kitų veiksmų yra chemikalų, kurie, kaip žinoma Kalifornijos valstijoje, gali sukelti vėžį, įgimtas ydas arba kitą reprodukcinę žalą. Kai kurių šių chemikalų pavyzdžiai:
  - Švinas iš dažų, kurių pagrindas yra švinas
  - Kristalinio silicio plytos ir cementas bei kiti mūriniai gaminiai
  - Arsenas ir chromas iš chemiškai apdorotos gumos
 Sąveikos su šiais chemikalais poveikis gali skirtis atsižvelgiant į tai kaip dažnai dirbate šį darbą. Norėdami sumažinti sąveiką su šiais chemikalais: dirbkite gerai vėdinamoje patalpoje ir naudokite patvirtintas saugumo priemones, pvz., dulkių kaukes, kurios specialiai sukurtos tam, kad filtruotų mikroskopines daleles.
- Ypač būkite atsargūs nepažįstamoje aplinkoje. Išsiaiškinkite potencialius pavojus, kuriuos sukelia darbas su įrankiu. Įrankis nėra izoliuotas nuo elektros šaltinių.

### NEIŠMESTI – ATIDUOTI NAUDOTOJUI

### Ženkla ir lipdukai

Ant gaminio yra ženklų ir lipdukų su svarbia informacija apie asmens saugą ir gaminio priežiūrą. Ženkla ir lipdukai turi būti visada lengvai įskaitomi. Naujų ženklų ir lipdukų galima užsisakyti naudojantis atsarginių dalių sąrašu.



s011050

## ATEX sertifikavimo informacija

### Temperatūra

- Aukščiausia aplinkos temperatūra, kuriai esant galioja sertifikavimas, yra 40°C.
- 40°C taip pat yra aukščiausia leidžiama suslėgto oro, kai jis patenka į gaminį, temperatūra.
- Jei gaminys yra sumontuotas įrangoje, visa įranga turi atitikti 2014/34/ES direktyvos taisykles.
- Įsitikinkite, kad suslėgtas oras atitinka mūsų taikomus kokybės reikalavimus (2.4.3. ir 3.4.4 kokybės klasės ir atitinkamai 3.5.4 pagal ISO/DIS 8573-1:2010).
- Neviršykite maksimalaus 6,3 bar oro slėgio arba nurodyto gaminio techninių duomenų lentelėje. Jei bus viršytas darbinis slėgis, dėl didesnio sukimosi greičio padidės paviršiaus temperatūra ir gaminys gali tapti užsidegimo šaltiniu.

### Apsaugos nuo sprogo klasifikacija

Jei gaminys yra agregato, kurio komponentai turi skirtingas apsaugos nuo sprogo klasifikacijas, dalis, komponentas su žemiausiu saugumo lygiu nustato viso agregato apsaugos nuo sprogo klasifikaciją.

### Apsaugos nuo sprogo taisyklės

#### Švarumas

- Pasirūpinkite, kad į gaminį nepatektų dulkių bei purvo, ir dėl to nepakiltų guolio ir paviršiaus temperatūra.
- Jei naudojamas duslintuvas: Pasirūpinkite, kad būtų sumontuotas duslintuvas su filtravimo efektu ties oro išleidimo vieta, ir dėl trinties įkautusios dalelės negalėtų patekti į aplinkos atmosferą.

#### Naudojimas

- Gaminys turi būti įžemintas naudojant dirbtuvių ekvipotencialinio sujungimo sistemą, pavyzdžiui, priedus, tokius, kaip žarnos ar pneumatinės jungtys.
- Naudotojas privalo užtikrinti, kad visi galimi gaminio priedai, tokie, kaip veržliarakčiai ir pneumatinės jungtys atitiktų nacionalines saugos taisykles, skirtas potencialiai sprogoje aplinkoje naudojami įrangai.

### ATEX klasifikacijos apibrėžimas

#### ATEX klasifikacija yra:



Ex II 2 G Ex h IIC T6 Gb

Ex II 2 D Ex h IIIC T85°C Db

°C ≤ Ta ≤ 40 °C

Aprašas	Vertė	Apibrėžimas
Įrangos grupė	II	Antžeminė pramonė

Aprašas	Vertė	Apibrėžimas
Įrangos kategorija <b>II grupė</b>	<b>2</b>	Aukštas apsaugos lygis <ul style="list-style-type: none"> <li>• 1 zona (dujos)</li> <li>• 2 zona (dujos)</li> <li>• 21 zona (dulkės)</li> <li>• 22 zona (dulkės)</li> </ul>
Atmosfera	<b>G</b>	Atmosfera, kurioje yra dujų, garų ar rūko
	<b>D</b>	Atmosfera, kurioje yra dulkių
Apsauginė konstrukcija	<b>h</b>	Mechaninis produktas
Dujų grupė	<b>IIC</b>	Vandenilis / acetilenas
	<b>IIB</b>	Etilenas
Dulkių grupė	<b>IIIC</b>	Paviršinės degios dulkės
Maks. paviršiaus temperatūra <b>dujų</b> turinčioje atmosferoje		<b>T1</b> = 450 °C <b>T2</b> = 300 °C <b>T3</b> = 200 °C <b>T4</b> = 135 °C <b>T5</b> = 100 °C <b>T6</b> = 85 °C
Maks. paviršiaus temperatūra <b>dulkių</b> turinčioje atmosferoje		Temperatūros pavyzdys: T85 °C T110 °C T120 °C T125 °C T240 °C
Specialus apribojimas, pavyzdžiui, aplinkos temperatūros diapazonas.	<b>X</b>	

## Naudinga informacija

### Tinklavietė

Prisijunkite prie Atlas Copco: [www.atlascopco.com](http://www.atlascopco.com).

Čia rasite informacijos apie mūsų gaminius, priedus, atsargines dalis ir paskelbtą medžiagą.

### Kilmės šalis

Žr. informaciją gaminio etiketėje.

## Garantija

- Gaminio garantija baigsis nuo gaminio naudojimo pradžios praėjus 12 mėnesių, ji negali būti ilgesnė negu 13 mėnesių nuo pristatymo datos.
- Garantija neapima įprastinio dalių nusidėvėjimo.
  - Įprastinis susidėvėjimas yra tada, kai reikia keisti dalis arba atlikti kitokius reguliavimo / kapitalinio remonto darbus vykdant standartinius įrankių techninės priežiūros darbus per nurodytą laikotarpį (išreikšta laiko vienetais, darbo valandomis arba kitaip).
- Gaminio garantija numato, kad įrankis ir jo komponentų dalys buvo naudojami, prižiūrėti ir remontuojami tinkamai.
- Garantija netaikoma dalių apgadinimui, įvykusiam dėl netinkamos techninės priežiūros arba priežiūros kurią atliko ne Atlas Copco ar jų sertifikuotieji serviso partneriai garantiniu laikotarpiu.
- Siekdami išvengti įrankio dalių apgadinimo ar suardymo prižiūrėkite įrankį laikydamiesi rekomenduojamo techninės priežiūros grafiko, vadovaukitės tinkamomis instrukcijomis.
- Garantinio remonto darbus turi atlikti tik Atlas Copco dirbtuvės ar jų sertifikuotieji serviso partneriai.

siūlo išplėstinę garantiją ir moderniausią techninę priežiūrą pagal Atlas Copco ToolCover sutartis. Daugiau informacijos teiraukitės vietinio serviso atstovo.

Elektriniams varikliams:

- Garantija bus taikoma tik tuo atveju, jei elektrinis variklis nebuvo atidarytas.

### „ServAid“

„ServAid“ – tai portalas, kuriame teikiama techninė informacija apie visus aparatinius ir programinius produktus, tokius kaip:

- Teisinė ir saugos informacija
- Techniniai duomenys
- sumontavimo, eksploatacijos ir priežiūros instrukcijas;
- Atsarginių dalių sąrašai
- Priedai

„ServAid“ yra nuolat atnaujinamas, jis pasiekiamas adresu: <https://servaid.atlascopco.com>

Daugiau informacijos teiraukitės vietinio „Atlas Copco“ atstovo.

### Saugos duomenų lapai MSDL/SDL

Drošības datu lapas apraksta ķīmiskos produktus, ko tirgo Atlas Copco.

Lai iegūtu plašāku informāciju, skatiet vietni: [www.atlascopco.com/sds](http://www.atlascopco.com/sds)

## Tehniskie dati

### Tehniskie dati

Pasūtījuma Nr.	8411033965
Modelis	LZB34-RL-AR005-11
Gaisa patēriņš brīvķaitas ātrumā	l/s
Gaisa patēriņš brīvķaitas ātrumā	cfm
Gaisa patēriņš ar maks. ģaudu	7.9 l/s
Gaisa patēriņš ar maks. ģaudu	16.8 cfm
Bremzēšanas griezes moments	Nm
Bremzēšanas griezes moments	ft lb
Iebūvētā bremze	No
Ārēķo daļu materiāls	Stainless steel
Brīvķaitas ātrums	450 apķr./min.
Maks. ģauda	0.25 kW
Maks. ģauda	0.34 ZS
Min. palaišanas griezes moments	12.6 Nm
Min. palaišanas griezes moments	9.3 ft lb
Attiecība	
Rotācijas virziens	Reversible
Vārpstas slodzes kods	c
Vārpstas tips	Keyed
Ātrums ar maks. ģaudu	240 apķr./min.
Noslāpēšanas griezes moments	19.6 Nm
Noslāpēšanas griezes moments	14.5 ft lb
Griezes moments ar maks. ģaudu	9.8 Nm
Griezes moments ar maks. ģaudu	7.2 ft lb
Lāpstiņu tips	Lubrication free
Svars	1.2 kg
Svars	2.65 mārc.
Ieplūdes šķūtene	10 mm
Ieplūdes šķūtene	0.4 collas
Aizsardzības klase	IP66/IP68/IP69
Izplūdes šķūtene	10 mm
Izplūdes šķūtene	0.4 collas
IP klase	IP66/IP68/IP69

### IP klase

Pneimatisko motoru IP klase attieķas uz mehānisko korpusu saskaņā ar IEC 60529 standartu. IP klase neattieķas uz izturību pret koroziju vai citiem šķidrumiem, izņemot tīru saldūdeni.

## Deklarācijas

### ES IEKĻAUŠANAS DEKLARĀCIJA

Mēs, **Atlas Copco Industrial Technique AB**, SE-105 23 STOCKHOLM SWEDEN, vienpersoniski uzņemoties atbildību, paziņojam, ka šis produkts (ar nosaukumu, tipu un sērijas numuru, kas atrodami titullapā) atbilst šādām pamatprasībām, kas minētas Mašīnu direktīvā 2006/42/EK:

2006/42/EC (Annex I, clauses 1.1, 1.2 (excluding 1.2.4.3), 1.3, 1.4, 1.5, 1.6, 1.7)

Un ka šī daļēķi komplektētā mašīna atbilst šādas citas ES direktīvas(-u) noteikumiem:

2014/34/EU (ATEX)

Šīs daļēķi komplektētās mašīnas ekspluatāciju nedrīkst uzsākt, kamēr nav paziņota pilnībā komplektētās mašīnas, kurā tā tiek iekļauta, atbilstība šīs Mašīnu direktīvas 2006/42/EK prasībām — ja tas ir nepieciešams.

Ir piemēroti šādi Eiropas saskaņotie standarti (daļas/ķlauzulas):

EN 1127-1:2019, EN ISO 12100:2010, EN ISO 80079-36:2016, EN ISO 80079-37:2016

Atbilstošā tehniskā dokumentāķija tika apkopota un paziņota saskaņā ar Mašīnu direktīvas 2006/42/EK VII pielikuma B daļu un ATEX direktīvas 2014/34/ES 13. panta 1. punkta b) apakšpunkta ii) daļu pilnvarotajā iestādē ExVeritas ApS (ES identifikācijas nr. 2804) Dānijā. Iestādes var pieprasīt tehnisko lietu ATEX direktīvai 2014/34/ES papīra formā no: <https://www.exveritas.com/2022/02/02/what-you-need-for-atex-and-ukca-explosive-atmosphere-certification-for-the-uk-and-eu-markets/>

Stockholm, 1 September 2023

**Håkan Andersson, Managing Director**

Izsniedzēja paraksts



### reģionālās prasības

#### **!** BRĪDINĀJUMS

Šis produkts var jūs pakļaut ķīmisko vielu apdraudēķumam, tostarp svinam, kurš Kalifornijas štatā ir zināms kā vēķa un iedzimtu defektu izraisītāķjs, kā arī citu reproduktīvo funkciju kaitēķjumu avots. Lai saņemtu plašāķu informāķiju, apmeklēķijiet [www.P65Warnings.ca.gov](http://www.P65Warnings.ca.gov)

### Informāķija par REACH 33. pantu

Eiropas Regula (ES) Nr. 1907/2006, kas attieķas uz ķīmisko vielu reģistrēšanu, vērtēšanu, licencēšanu un ierobežošanu (REACH) cita starpā nosaka arī prasības, kas saistītas ar komunikāķiju piegādes ķēdē. Prasība sniegt informāķiju attieķas arī uz produktiem, kas satur tā sauktās īpaši bīstamās vielas („kandidātu saraksts”). 2018. gada 27. jūnijā kandidātu sarakstam tika pievienots svina metāls (CAS Nr. 7439-92-1).

Saskaņā ar iepriekš minēto, ar šo informējam jūs, ka noteiktas mehāniskās produkta sastāvdaļas var saturēt svina metālu. Tas ir saskaņā ar spēkā esošajiem tiesību aktiem par vielu ierobežošanu, un to pamatā ir RoHS direktīvā (2011/65/ES) paredzētie likumīgie atbrīvojumi. Parastā lietošanas laikā no ražojuma neizplūst vai nemutējas svina metāls, un svina metāla koncentrācija visā produktā ir ievērojami zemāka par piemērojamo robežvērtību. Lūdzu, ņemiet vērā vietējās prasības attiecībā uz svina iznīcināšanu produkta kalpošanas laika beigās.

## Drošība

### **BRĪDINĀJUMS Īpašuma bojājuma vai smaga kaitējuma risks**

Pārlicinieties, ka pirms instrumenta lietošanas ir izlasītas, izprastas un ievērotas visas instrukcijas. Neievērojot visus norādījumus, varat izraisīt elektrisko triecienu, ugunsgrēku, materiālos zaudējumus un/vai smagus ievainojumus.

- ▶ Izlasiet visu drošības informāciju, kas piegādāta kopā ar dažādām sistēmas daļām.
- ▶ Izlasiet visus dažādu sistēmas daļu uzstādīšanas, ekspluatācijas un apkopes norādījumus.
- ▶ Izlasiet visus vietējos tiesību aktos paredzētos noteikumus par sistēmu un tās daļām.
- ▶ Saglabājiet visu drošības informāciju un norādījumus turpmākai uzziņai.

## Pielietojuma paziņojums

Šis motors ir paredzēts uzstādīšanai fiksētā vai kustīgā mašīnā. Tas ir paredzēts vai nu rotācijai tikai uz labo pusi, vai arī rotācijai tikai uz kreiso pusi, vai reversējamai rotācijai, un tas ir jāuzstāda tikai ar atloku vai vītņsavienojumu — pēc nepieciešamības. Cits lietošanas veids nav atļauts. Tikai profesionālai lietošanai.

Risks, ka motori var kalpot par aizdegšanās avotu potenciāli sprādzienbīstamā vidē, ir ļoti mazs. Lietotājs ir atbildīgs par risku novērtēšanu attiecībā uz visu mašīnu, kurā motors tiks uzstādīts.

## Produktam specifiskas instrukcijas

### Uzmanību

#### **BRĪDINĀJUMS Polimēru bīstamība**

Šajā produktā esošās lāpstiņas satur PTFE (sintētisko fluora polimēru). Nolietošanas rezultātā produktā var būt PTFE daļiņas. Uzkarsēts PTFE var izdalīt tvaikus, kas var izraisīt polimēra tvaiku drudzi ar gripai līdzīgiem simptomiem, it īpaši smēķējot piesārņotu tabaku.

Rīkojoties ar lāpstiņām un citiem komponentiem, jāievēro veselības aizsardzības un drošības ieteikumi attiecībā uz PTFE:

- ▶ Nesmēķēt, veicot šī produkta apkopi
- ▶ PTFE daļiņas nedrīkst nonākt saskarē ar atklātu uguni, kvēlojošiem objektiem vai karstumu
- ▶ Motora komponenti jāmazgā ar tīrīšanas šķidrumu un nav jāizpūš, izmantojot gaisvadu līnija
- ▶ Pirms jebkuras citas darbības sākšanas nomazgājiet rokas

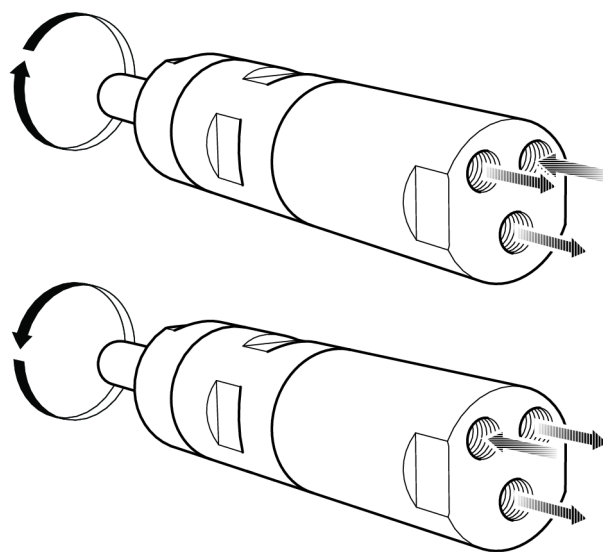
### Ip klase IP klase

Pneimatisko motoru IP klase ir noteikta hermētiski noslēgtā stāvoklī un neietver izplūdes atveri vai pievienoto klusinātāju. Ja motors darbosies zem ūdens vai spēcīgas ūdens strūkļas apstākļos, ieteicams novadīt izplūdes atveri prom no ūdens, izmantojot šļūteni. Kad motors atrodas zem ūdens, vienmēr turiet to hermētiski noslēgtā stāvoklī, kas pārsniedz atbilstošā dziļuma spiedienu.

### Gaisa padeves pievienošana

Kad ievadam ir pievienota saspīstā gaisa padeve, rotācijas virziens ir tāds, kāds tas ir norādīts tālāk attēlā. Ja izplūdes gaisu ir paredzēts aizvadīt, izplūdes izvadam ir jāpievieno šļūtene.

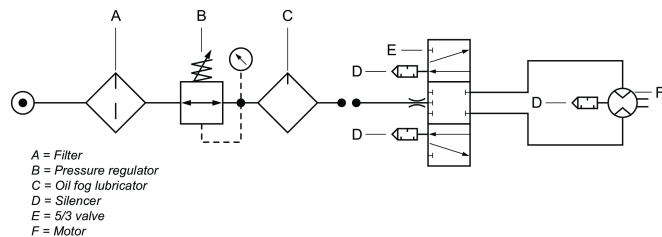
Saspīstā gaisa nodrošinājumam jābūt savienotam ar atbilstošu pievadi, lai iegūtu vēlamo rotācijas virzienu; skatīt zemāk esošo attēlu. Pievade, kas netiek izmantota, funkcionē kā papildu izvade, un to nedrīkst pievienot kontaktligzdai.



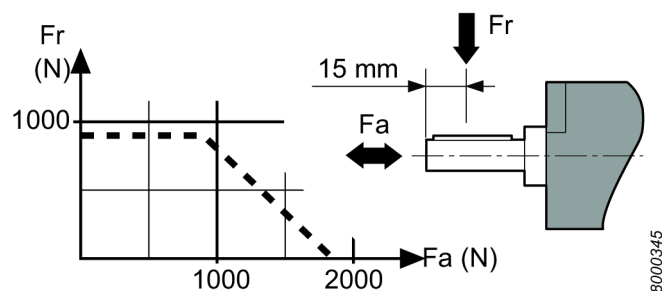
s015473

## Uzstādīšanas shēma

Reversējams motors



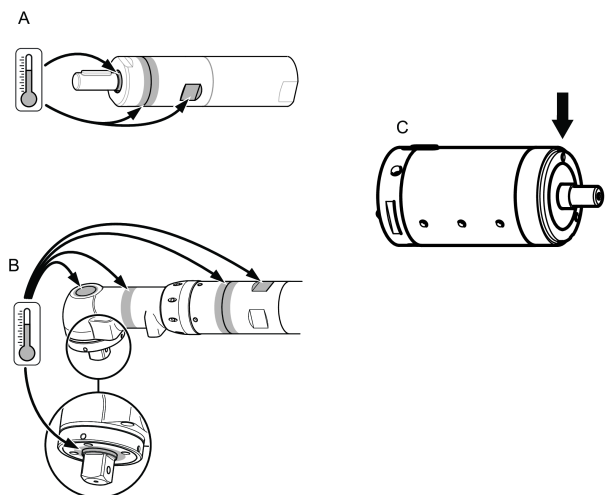
## Vārpstas slodzes diagramma



## Karstie punkti

Šie karstie punkti uz motora var sasniegt augstas temperatūras. Attēlā redzami karstie punkti konkrētiem modeļiem:

- Blīvredzens uz izvada vārpstas (A, B, C)
- Savienojums starp priekšdaļu un aizmugurējo gredzenu (A, B)
- Atslēgas rokturis (A, B)



Augstākās temperatūras tiek sasniegtas, kad motors darbojas ar pilnu spiedienu bez slodzes. Palielinot griezes momentu, pneimatiskais motors samazina rotācijas apgriezienus un temperatūru.

## Uzmanību

Pirms šī motora lietošanas pārliecinieties, ka pārzināt ekspluatācijas instrukcijas.

Šo motoru, tā agregātus un piederumus drīkst izmantot tikai mērķiem, kuriem tie ir paredzēti.

Produkta uzticamības un drošības dēļ jebkuras motora vai tā piederumu modifikācijas, kuras var ietekmēt produkta uzticamību, jāaskaņo ar ražotāja tehnisko pārstāvi.

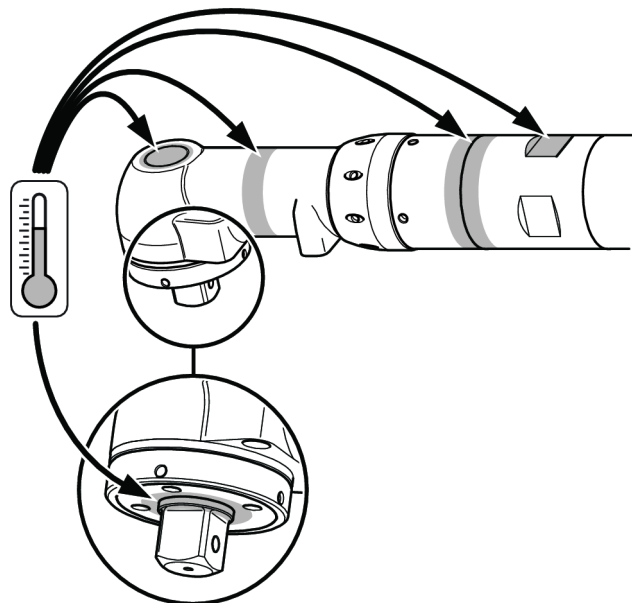
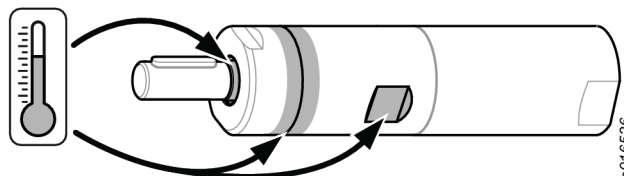
**Lai izvairītos no traumām un ilgtermiņa apdraudējumiem:**

- Ja motors ir ATEX sertificēts, motora izvadiem jāuzstāda filtri/klusinātāji.
- Klusinātājus ieteicams izmantot arī citās situācijās, lai mazinātu trokšņa emisiju.
- Pirms jebkādiem regulēšanas darbiem atvienojiet motoru no gaisvada.
- **Uzmaniet savas rokas, matus un apģērbu — turiet tos pietiekamā attālumā no rotējošām daļām.**

## Tehniskā apkope

- Šī ATEX izstrādājuma tehniskās apkopes un remontdarbi ir jāveic tikai un vienīgi atbilstoši pilnvarotiem darbiniekiem, un pēc tam jāveic karsto punktu (kā parādīts attēlā) pārbaude bez slodzes, veicot temperatūras mērījumus un reģistrējot tos ziņojumā.

Pēc 5 min bezslodzes testa virsmas temperatūra nedrīkst pārsniegt summu no 45°C + apkārtējā temperatūra, kur apkārtējā temperatūra var būt diapazonā no 0 – 40°C.



## Vispārīgās drošības instrukcijas

Lai samazinātu ievainojuma risku, visiem, kas lieto, uzstāda, labo, apkopj, maina piederumus, vai strādā šī instrumenta tuvumā, pirms šo darbu sākšanas jāizlasa un jāizprot šie norādījumi.

Mūsu mērķis ir ražot instrumentus, kas palīdz strādāt droši un efektīvi. Vis svarīgākais padoms par drošību šim vai jebkuram instrumentam esat JŪS. Jūsu uzcītība un uzmanība ir labākā

aizsardzība pret ievainojumu. Nav iespējams šajā dokumentā uzskaitīt visus iespējamus riskus, tomēr esam centušies izcelt visbūtiskākos.

- Šo ierīci drīkst uzstādīt, regulēt un lietot tikai kvalificēti un apmācīti operatori.
- Šo ierīci un tās piederumus nedrīkst pārveidot.
- Neizmantojiet šo instrumentu, ja tas ir bojāts.
- Ja nominālo apgriezīenu, darba spiediena vai bīstamības brīdinājuma zīmes uz instrumenta vairs nav salasāmas vai atlīmējas, nekavējoties nomainiet tās.

### **i** Papildu drošības informāciju skatiet:

- Citus dokumentus un informāciju, kas pievienota šai ierīcei.
- Pie sava darba devēja, arodbiedrības un/vai profesionālās asociācijas.
- Vairāk informācijas par arodveselību un drošību var iegūt šādās tīmekļa vietnēs:
  - <http://www.osha.gov> (ASV)
  - <https://osha.europa.eu/> (Eiropa)

### Gaisa padeves un savienojuma briesmas

- Gaisa spiediena ietekmē var radīt dažādus ievainojumus.
- Kad instruments netiek lietots, pirms maināt piederumus, vai veicot apkopes darbus, vienmēr noslēdziet gaisa padevi, iztukšojiet gaisa spiediena šļūteni un atvienojiet to no gaisa padeves.
- Nekad nevērsiet tiešu gaisa plūsmu savā vai citu virzienā.
- Izliktas šļūtenes var radīt smagus ievainojumus. Vienmēr pārbaudiet, vai šļūtenes nav bojātas, vai arī palaidiet vaļīgāk šļūtenes vai armatūru.
- Nepārsniedziet maksimālo atļauto gaisa spiedienu 6,3 bar / 90 psig vai, kā norādīts instrumenta datu plāksnītē.

### Sapīšanās riski

- Turiet atstātus no rotējošas piedziņas. Ja vaļīgas drēbes, cimdi, rotaslietas, kaklarotas un mati netiek turēti atstātus no instrumenta un tā piederumiem, var tikt izraisīta žņaugšana, skalpēšana un/vai plēstas brūces.

### Atlūzu izraisīta bīstamība

- Vienmēr, strādājot ar instrumentu vai esot tuvumā, veicot remontu vai apkopi vai mainot tā piederumus, valkājiet triecienizturīgus acu un sejas aizsargus.
- Pārlicinieties, vai citas personas darba zonā lieto atbilstošu acu un sejas aizsardzības līdzekļus. Patniecīgākās atlūzas var radīt acs traumu un izraisīt aklumu.
- Pārbaudiet, vai darba detaļa ir droši piestiprināta.

### Ekspluatācijas riski

- Kārtīgi nostipriniet instrumentu.
- Pirms darba detaļas noņemšanas pārlicinieties, ka instruments ir pilnīgi apstājies.
- Obligāti ierīkojiet mašīnai palaišanas, apturēšanas un avārijas apturēšanas vadības ierīces; šajā sistēmā jābūt integrētam arī motoram/momentdzinējam.

### Trokšņa riski

- Augsts skaņas līmenis var izraisīt pastāvīgu dzirdes zudumu un citas problēmas, piemēram, dzīvēstēšanu. Izmantojiet piemērotu ausu aizsardzību, kā to nosaka jūsu darba devējs vai darba drošības un veselības aizsardzības noteikumi.
- Lai izvairītos no nevajadzīga trokšņa līmeņu pieauguma, lietojiet instrumentu, veiciet tā apkopi, izvēlieties un nomainiet piederumus un ekspluatācijas materiālus un veiciet to apkopi saskaņā ar šo lietošanas rokasgrāmatu.

### Darbavietas bīstamība

- Slidēšana/aizķeršanās/nokrišana ir viens no galvenajiem nopietnu ievainojumu vai nāves cēloņiem. Uzmanieties no šļūtenes pārpalikumiem, kas var būt atstāti uz darba virsmas vai grīdas.
- Izvairieties no putekļu vai dūmu ieelpošanas vai darba ar grūžiem, kas var kaitēt veselībai (piemēram, kaitēt grūtniecībai, izraisīt vāzi, astmu un/vai dermatītu). Strādājot ar materiāliem, kas izplata gaisā daļiņas, lietojiet putekļu ekstrakcijas un elpošanas aizsarglīdzekļus.
- Daži putekļi, kas rodas pulēšanas, zāģēšanas, slīpēšanas, urbšanas un citu būvdarbu rezultātā satur ķīmiskas vielas, kas Kalifornijas štatam zināmas, kā vēža, iedzimtu defektu un citu reproduktīvu kaitējumu izraisītājas. Tālāk doti daži piemēri:

- svins no svinu saturošām krāsām;
- kristāla silīcija gabaliņi, cements un citi mūrēšanas produkti;
- arsēns un hroms no ķīmiski apstrādātās gumijas.

Šo iedarbību risks atšķiras atkarībā no tā, cik bieži jūs darāt šo darbu. Lai samazinātu šo ietekmi no šīm ķīmiskajām vielām: strādājiet labi vēdinātās vietās un lietojiet apstiprinātas aizsargiekārtas, piemēram, putekļu aizsargmaskas, kas speciāli izstrādātas, lai filtrētu mikroskopiskas daļiņas.

- Svešā darba vidē darbojieties uzmanīgi. Strādājot uzmanieties no potenciālām briesmām, kas var rasties jūsu darbības rezultātā. Šis instruments nav nodrošināts pret saskari ar elektrisko strāvu vadošiem elementiem.

### NEIZMETIET — NODODIET LIETOTĀJAM

### Zīmes un uzlīmes

Produktam ir zīmes un uzlīmes, kas satur svarīgu informāciju par personisko drošību un produkta apkopi. Zīmēm un uzlīmēm vienmēr jābūt viegli salasāmām. Jaunas zīmes un uzlīmes var pasūtīt, izmantojot rezerves daļu sarakstu.



s011050

### ATEX sertifikācijas informācija

#### Temperatūra

- Maksimālā vides temperatūra, pie kuras sertifikāts ir derīgs, ir 40°C.

- 40°C ir arī maksimālā pieļaujamā saspīestā gaisa temperatūra, kad tas ieplūst produktā.
- Ja produkts tiek uzstādīts iekārtā, visai iekārtai jāatbilst 2014/34/ES vadlīnijām.
- Pārlicinieties, ka saspīestais gaiss atbilst mūsu kvalitātes prasībām (kvalitātes klases 2.4.3. un 3.4.4 attiecīgi 3.5.4 saskaņā ar ISO/DIS 8573-1:2010).
- Nepārsniedziet 6,3 bāru maksimālo atļauto spiedienu vai to, kas norādīts produkta datu plāksnītē. Darba spiediena pārsniegšana var palielināt virsmas temperatūru augstāku apgriezīenu dēļ, un produkts var kļūt par aizdegšanās avotu.

### Sprādzienbīstamības klasifikācija

Ja produkts ir daļa no mezgla, kura komponentiem ir dažādas sprādzienbīstamības kategorijas, komponents ar zemāko drošības līmeni nosaka visa mezgla sprādzienbīstamības kategoriju.

### Sprādziendrošības vadlīnijas

#### Tīrība

- Pārlicinieties, ka produkts tiek glabāts no putekļiem un neīrūmiem tīrā vietā, lai nepieļautu palielinātu gultņu un virsmas temperatūru.
- Ja izmantojat klusinātāju: Pārlicinieties, ka uz gaisa izvada ir uzstādīts klusinātājs ar filtrēšanas efektu, lai neļautu frikcijas uzkarstētām daļiņām iekļūt apkārtējā atmosfērā.

#### Pielietojums

- Pārlicinieties, ka produkts ir iezemēts pie remontdarbības izlīdzinātājsavienojuma sistēmas, piemēram, ar tādu piemērotu aprīkojumu kā šļūtenēm un pneimatiskajiem savienojumiem.
- Lietotāja pienākums ir pārlicināties, ka visi produkta piederumi, piemēram, uzgriežņatslēgas un pneimatiskie savienojumi atbilst attiecīgajā valstī spēkā esošajiem noteikumiem par aprīkojuma lietošanu potenciāli sprādzienbīstamās zonās.

### ATEX koda definīcija

#### ATEX kods ir:



Ex II 2 G Ex h IIC T6 Gb

Ex II 2 D Ex h IIIC T85°C Db

°C ≤ Ta ≤ 40 °C

Apraksts	Vērtība	Definīcija
Aprīkojuma grupa	II	Virsmu ražotne

Apraksts	Vērtība	Definīcija
Aprīkojuma kategorija	2	Augsts aizsardzības līmenis
<b>II grupa</b>		<ul style="list-style-type: none"> <li>• 1. zona (gāze)</li> <li>• 2. zona (gāze)</li> <li>• 21. zona (putekļi)</li> <li>• 22. zona (putekļi)</li> </ul>
Atmosfēra	<b>G</b>	Atmosfēra, kas satur gāzi, tvaikus vai miglu
	<b>D</b>	Atmosfēra, kas satur putekļus
Drošības izstrādnes	<b>h</b>	Mehānisks produkts
Gāzes grupa	<b>IIC</b>	Ūdeņradis/acetilēns
	<b>IIB</b>	Etilēns
Putekļu grupa	<b>IIIC</b>	Virsmas uzliesmojoši putekļi
Maksimālā virsmas temperatūra <b>gāzes</b> atmosfērā		<b>T1</b> = 450 °C <b>T2</b> = 300 °C <b>T3</b> = 200 °C <b>T4</b> = 135 °C <b>T5</b> = 100 °C <b>T6</b> = 85 °C
Maksimālā virsmas temperatūra <b>putekļu</b> atmosfērā		Paraugtemperatūras: <b>T85</b> °C <b>T110</b> °C <b>T120</b> °C <b>T125</b> °C <b>T240</b> °C
Īpašs ierobežojums, <b>X</b> piemēram, apkārtējās temperatūras diapazons.		

### Noderīga informācija

#### Vietne

Piesakieties vietnē Atlas Copco: [www.atlascopco.com](http://www.atlascopco.com).

Jūs varat atrast informāciju par mūsu izstrādājumiem, piederumiem, rezerves daļām un publicētajiem materiāliem mūsu vietnē.

#### Izcelsmes valsts

Lūdzu, skatiet informāciju produkta datu uzlīmē.

## Garantija

- Preces garantija beigsies 12 mēnešus pēc pirmās lietošanas reizes, taču jebkurā gadījumā tā būs spēkā vēlākais 13 mēnešus pēc piegādes.
- Dabiska nolietojuma un sastāvdaļu nodilums nav iekļauti garantijā.
  - Normāls ierīces nolietojums ir gadījums, kad nepieciešama detaļu nomaiņa vai citi regulējumi/pamatīga pārbaude standarta instrumentu tehniskās apkopes laikā, kas raksturīga attiecīgajam periodam (izteikts laikā, darbības stundās vai cits).
- Preces garantijas pamatā ir instrumenta un tā detaļu pareiza lietošana, apkope un remonts.
- Garantija nesedz bojājumus, kas radušies neadekvātas apkopes rezultātā, ko veicis kāds cits nevis Atlas Copco vai to sertificētie pakalpojuma partneri garantijas perioda laikā.
- Lai izvairītos no instrumentu daļu bojājumiem vai to iznīcināšanas, apkopiet instrumentu attiecīgi rekomendētajiem apkopes grafikiem, kā arī ievērojiet pareizās instrukcijas.
- Garantijas remontu tiek tikai Atlas Copco darbnīcās vai tos veic sertificēti pakalpojuma partneri.

pieāvājumi par pagarinātu garantijas laiku un tehniskā līmeņa preventīvā pasākumi caur Atlas Copco ToolCover līgumiem. Lai saņemtu sīkāku informāciju, sazinieties ar savu vietējo pakalpojumu pārstāvi.

Elektriskiem motoriem:

- Garantija būs spēkā tikai tādā gadījumā, ja elektriskais motors nebūs bijis atvērts.

## ServAid

ServAid ir portāls ar tehnisko informāciju par visiem aparatūras un programmatūras produktiem, piemēram:

- reglamentatīvā un drošības informācija;
- tehniskie dati;
- uzstādīšanas, lietošanas un apkopes instrukcijas;
- rezerves daļu saraksti;
- piederumi.

ServAid tiek pastāvīgi atjaunināts un ir pieejams: <https://servaid.atlascopco.com>

Lai saņemtu sīkāku informāciju, sazinieties ar savu vietējo Atlas Copco pārstāvi.

## Drošības datu lapas MSDS/SDS

Saugos duomenų lapuose aprašomi „Atlas Copco“ parduodami cheminiai gaminiai.

Daugiau informācijas ieskokite svetainėje: [www.atlascopco.com/sds](http://www.atlascopco.com/sds)

## 技术参数

### 技术数据

订购号	8411033965
型号	LZB34-RL-AR005-11
空转速度下的空气消耗量	l/s
空转速度下的空气消耗量	cfm
最大输出时的空气消耗量	7.9 l/s
最大输出时的空气消耗量	16.8 cfm
制动扭矩	Nm
制动扭矩	ft lb
内置制动器	No
外部部件材料	Stainless steel
空载速度	450 r/min
最大输出	0.25 kW
最大输出	0.34 hp
最小启动扭矩	12.6 Nm
最小启动扭矩	9.3 ft lb
比值	
旋转方向	Reversible
轴荷载规范	c
轴类型	Keyed
最大输出时的速度	240 r/min
失速扭矩	19.6 Nm
失速扭矩	14.5 ft lb
最大输出时的扭矩	9.8 Nm
最大输出时的扭矩	7.2 ft lb
叶片类型	Lubrication free
重量	1.2 kg
重量	2.65 lb
进气软管	10 mm
进气软管	0.4 in
异物防护等级	IP66/IP68/IP69
出气软管	10 mm
出气软管	0.4 in
IP 等级	IP66/IP68/IP69

## IP 等级

气动马达的 IP 等级指符合 IEC 60529 标准的机械外壳。IP 等级不包括耐腐蚀性或清洁淡水以外的任何液体。

## 声明

### EU 组合声明

我们 Atlas Copco Industrial Technique AB, SE-105 23 STOCKHOLM SWEDEN 全权声明，本产品（名称、型号和序列号，请见首页）符合机械指令 2006/42/EC 的以下基本要求：

2006/42/EC (Annex I, clauses 1.1, 1.2 (excluding 1.2.4.3), 1.3, 1.4, 1.5, 1.6, 1.7)

并且此半成品机械设备符合以下其他欧盟指令的相关规定：

2014/34/EU (ATEX)

对于此半成品机械设备，在声明已依照机械指令 2006/42/EC 的相应规定将其组装为成品机械设备之前，不得投入使用。

已应用以下（部分/条款）欧洲协调标准：

EN 1127-1:2019, EN ISO 12100:2010, EN ISO 80079-36:2016, EN ISO 80079-37:2016

相关技术文档的编写和传达符合丹麦 Notified Body ExVeritas ApS（欧盟识别号 2804）中的机械指令 2006/42/EC 附录 VII 部分 B 和 ATEX 指令 2014/34/EU 条款 13 (1) b) ii。机构可从下方获取 ATEX 指令 2014/34/EU 的纸质技术文档：

<https://www.exveritas.com/2022/02/02/what-you-need-for-atex-and-ukca-explosive-atmosphere-certification-for-the-uk-and-eu-markets/>

Stockholm, 1 September 2023

Håkan Andersson, Managing Director

发布者签名



## 区域性要求

### ⚠ 警告

该产品可能会使您暴露于化学物质（包括铅），加利福尼亚州已明确铅可导致癌症和先天缺陷或其他生殖危害。更多信息请访问 [www.P65Warnings.ca.gov](http://www.P65Warnings.ca.gov)

## 有关 REACH 第 33 条的信息

欧洲法规 (EU) No. 1907/2006 化学品的注册、评估、授权和限制 (REACH) 定义了与供应链中通信相关的要求。信息要求也适用于含有所谓高度关注物质（“候选列表”）的产品。2018 年 6 月 27 日，铅金属（CAS 编号 7439-92-1）被纳入候选列表。

根据上述要求，特此通知您产品中的某些机械部件可能含有铅金属。这符合现行的物质限制法规，并基于 RoHS 指令 (2011/65/EU) 中的合法豁免。在正常使用过程中，铅金属不会从产品中泄漏或突变，并且整个产品中的铅金属浓度远低于适用的阈值限制。请考虑当地对产品寿命终止时铅处置的要求。

## 安全

### ⚠ 警告 存在财产损失或严重受伤的风险

确保在操作工具前阅读、了解并遵守各项操作说明。若不遵守所有操作说明，可能会造成电击、火灾、财产损失和/或严重的人身伤害。

- ▶ 阅读所有随本系统不同部分提供的安全信息。
- ▶ 阅读针对安装、操作和维护本系统不同部分的产品说明。
- ▶ 阅读有关本系统及其中零件的所有本地安全法规。
- ▶ 保存所有安全信息和说明，以备将来参考。

## 使用声明

此电机设计用于安装在固定或移动设备上。它可以仅向右旋转、仅向左旋转或进行可逆转动，并应仅通过法兰或螺纹接口进行安装，具体视情况而定。不允许用作其他用途。仅供专业人员使用。

电机成为潜在爆炸性环境的引燃源的风险微乎其微。使用者应负责评估与装有电机的整台设备相关的风险。

## 产品指定说明

### 警告

#### ⚠ 警告 聚合物危害

本产品中的叶片含有 PTFE（一种合成氟聚合物）。由于磨损，PTFE 微粒可能会附在产品中。加热的 PTFE 会产生浓烟，这可能会导致症状类似于流感的聚合物烟雾热，尤其是在吸受到污染的烟草时。

操纵叶片和其他部件时，必须遵循 PTFE 的健康安全建议：

- ▶ 维修此产品时请勿吸烟
- ▶ PTFE 微粒不得与明火、灼热物或高温物接触
- ▶ 马达部件必须用清洗液清洗，而不能使用空气管吹净
- ▶ 进行任何其他操作之前请洗净双手

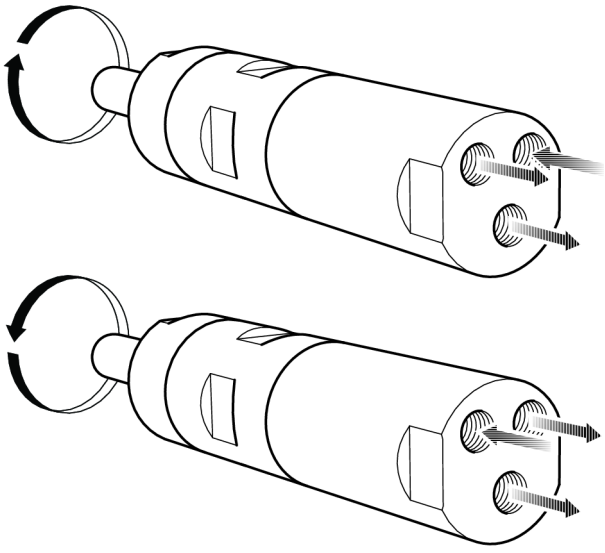
## IP 等级

气动马达的 IP 等级在加压状态下设定，不包括出气口或附带的消音器。如果电机在水下或沉重的水喷嘴中运行，建议借助软管使出气口远离水。浸没在水下时，始终使马达的压力高于相应深度。

## 连接气源

当压缩气源连接到进气口时，旋转方向将如下图所示。如果要排出废气，应在废气出气口处连接一根软管。

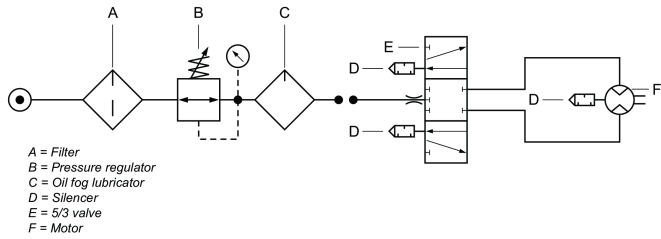
应将压缩气源连接到所需旋转方向对应的进气口，请参见下图。未使用的进气口可以充当其他出气口，切不可被塞住。



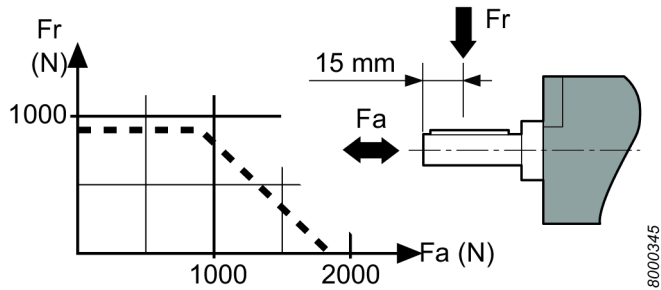
s015473

**安装图**

可逆型马达



**轴载荷示意图**

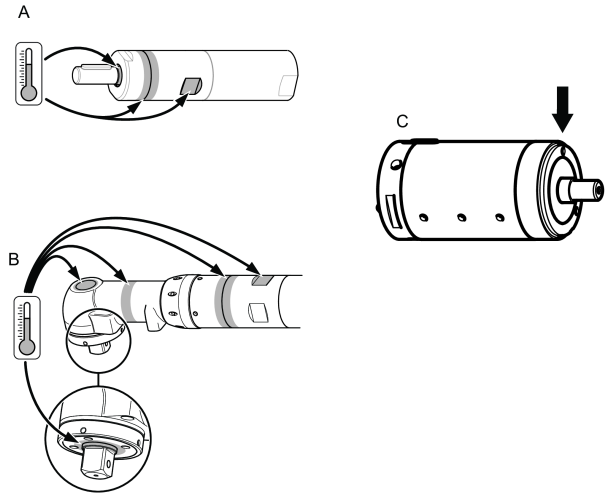


8000345

**聚热区**

马达上的以下耐热部件可在运转期间达到高温：该图显示了特定型号的耐热部件：

- 输出轴密封圈 (A, B, C)
- 前部和齿圈之间的接合处 (A, B)
- 按键 (A, B)



102626601

马达在全压空载运行时，温度将达到最高。随着扭矩的增大，气动马达的旋转速度和温度将会降低。

**警告**

使用此马达前，请确保您已熟悉其操作说明。

此马达及其附件和配件只能用于其设计用途。

出于产品责任及安全原因，对马达或其配件进行可能会影响到产品责任的改造，必须获得制造商技术权威部门的同意。

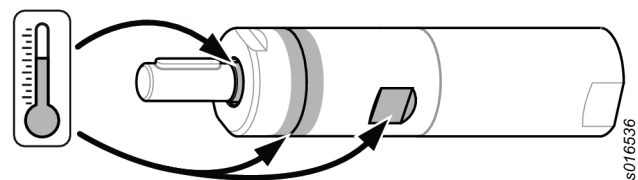
为了避免出现个人伤害和长期风险，请遵循下列操作：

- 如果马达获得 ATEX 认证，则过滤器/消音器必须安装在马达排气口位置。  
建议在其他应用中也使用消音器，以减少噪音暴露。
- 在进行任何调整操作之前，将马达从空气管断开。
- 当心您的双手、头发和衣服，应与机器的旋转部件保持足够距离。

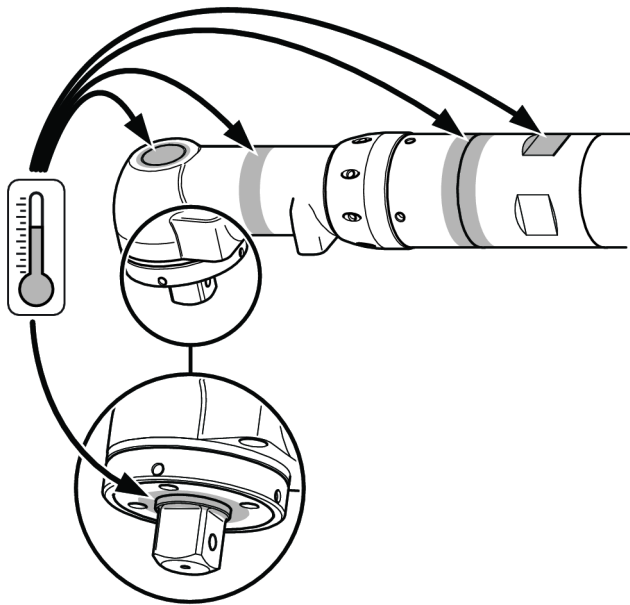
**维护**

- 只有拥有授权的人员才能维护与维修该 ATEX 产品，完成维护与维修之后必须进行空载测试和针对耐热部件（如图所示）的温度测量，并将相关情况记录在报告中。

进行 5 分钟空载测试后，表面温度不得超过 45°C + 周边温度之和，其中周边温度可在 0 - 40°C 之间变化。



s016536



s0765534

### 常规安全说明

为降低人身伤害的风险，所有使用、安装、修复、维护、更换附件或在此工具附近作业的人员在执行任何此类工作之前都必须阅读并理解这些说明。

我们的目标是生产帮您安全高效工作的工具。但本工具或其他任何工具最重要的安全因素是您本人。您的谨慎态度和良好的判断力是避免伤害的最佳保护。此处无法尽述所有潜在危险，但我们会重点介绍其中某些重要危险。

- 只有合格或接受过培训的操作人员方可安装、调节或使用此电动工具。
- 此工具及其附件不得以任何形式进行改造。
- 如果此工具已损坏，则不得使用。
- 如果工具上的额定转速、操作压力或危险警示牌不再清晰可读或已脱落，请立即更换。

#### ① 更多安全信息请参见：

- 此工具附带的其他文档和资料。
- 您的雇主、工会和/或行业协会。
- 更详细的职业卫生和安全信息可由以下网站获得：
  - <http://www.osha.gov> (美国)
  - <https://osha.europa.eu/> (欧洲)

#### 空气供给和连接危险

- 压缩空气可能造成严重伤害。
- 在更换附件或者进行维修之前，若不使用工具，务必始终关闭气源、释放管中气压并断开工具与气源的连接。
- 任何时候不得将压缩空气对准自己或他人。
- 气管甩动可能造成严重伤害。请始终注意检查气管和管夹有无损坏或松动。
- 不得超过最大空气压力 6.3 bar / 90 psig，也不得超过工具铭牌上注明的压力值。

#### 缠绕危险

- 远离旋转驱动装置。操作工具或配件时不得穿着宽松的衣服、戴手套、佩戴首饰、项链，并应整理好头发，否则可能发生窒息、撕脱头皮和/或划伤。

#### 抛射物危险

- 进行工具的操作、修理或维护工作或者更换工具附件或靠近操作现场时，要戴上耐冲击的眼部和面部护具。
- 要确认作业区域的所有其他人都已佩戴耐冲击的眼部和面部护具。即使较小的抛射物也可能对眼睛造成伤害并导致失明。
- 确保工件牢固固定。

#### 操作危险

- 牢固地夹紧工具。
- 在取下工件之前，确保工具已完全停止。
- 始终为装有电机/力矩电机的设备安装启动、停止和紧急制动控制装置。

#### 噪声危险

- 高分贝的声音会导致永久性失聪和耳鸣等其他症状。请配戴贵公司推荐的或符合职业健康和安全管理规范的听力保护装置。
- 为防止不必要的噪音增大，请按照本说明手册操作和维护工具，并选择、维护和更换附件及消耗品。

#### 工作场所的危险

- 滑跌/绊跌/摔倒是导致重伤或死亡的主要成因。要注意地面上或者工件表面上多余的管子。
- 工作过程中要避免接触会造成疾病（例如，癌症、先天缺陷、哮喘和/或皮炎）的东西，比如吸入粉尘或接触碎片。加工会产生有害微粒的工件时，需要使用吸尘装置并佩戴呼吸保护装置。
- 砂磨、锯切、打磨、钻孔等生产活动所产生的某些粉尘可能含有加州当局已知的可能导致癌症、先天性缺陷或其他生殖伤害的化学物品，例如：
  - 铅基涂料中的铅
  - 结晶硅砖和水泥以及其他泥工产品
  - 经过化学处理的橡胶中含有的砷和铬

您暴露于这些化学物质的风险因这类工作的频率而异。为了降低您暴露于这些化学物品的风险，请注意下列事项：应该在通风良好的区域内工作，并使用经过核准的安全设备，比如专用的可以滤掉微粒的防尘面罩。

- 在陌生环境下作业时小心谨慎。注意工作活动可能造成的危险。本工具未经绝缘处理，请勿接触电源。

#### 请勿丢弃 – 致使用者

#### 标贴

产品配备的标贴含有个人使用安全和产品维护方面的重要信息。标贴应始终易于阅读。可以使用备件列表订购新标贴。



s071050

## ATEX 认证信息

### 温度

- 认证有效的最高周边温度为 40°C。
- 40°C 也是压缩空气通过产品时的最高允许温度。
- 如果产品安装在设备中，则整台设备必须符合 2014/34/EU 准则。
- 确保压缩空气符合我们的质量要求（根据 ISO/DIS 8573-1:2010，质量等级分别为 2.4.3. 和 3.4.4 及 3.5.4）。
- 不得超过 6.3 bar 的最大压力或者产品铭牌上的标称压力。超过工作压力时，由于旋转速度的提升，表面温度可能会上升，产品可能会变成引火源。

### 防爆等级

如果产品是组合件的一部分，其中包含多个具有不同防爆等级的组件，则整个组合件的防爆等级将由安全级别最低的组件决定。

### 防爆准则

#### 清洁度


- 确保产品清洁，不含灰尘和污垢，以防轴承和表面温度升高。
- 如果使用消音器：确保排气口处安装了带过滤效果的消音器，以防止周围空气中进入摩擦生热的颗粒。

#### 使用

- 确保使用软管或气压连接装置等附件将产品接地连接至车间的等电位连接系统。
- 用户须自行确保产品及所有可能的附件（例如扳手与空气连接装置），均符合关于在有爆炸危险的区域内所使用的设备方面的国家安全法规。

## ATEX 代码定义

ATEX 代码是：

	Ex II 2 G Ex h IIC T6 Gb
	Ex II 2 D Ex h IIIC T85°C Db
	°C ≤ Ta ≤ 40 °C

说明	值	定义
设备组	II	工厂用
设备类别	2	高级别保护
<b>第 II 组</b>		<ul style="list-style-type: none"> <li>• 区域 1 ( 气体 )</li> <li>• 区域 2 ( 气体 )</li> <li>• 区域 21 ( 粉尘 )</li> <li>• 区域 22 ( 粉尘 )</li> </ul>

说明	值	定义
大气环境	G	含有气体、蒸汽或薄雾的大气环境
	D	含有粉尘的大气环境
安全性设计	h	机械产品
气体组	IIC	氢/乙炔
	IIB	乙烯
粉尘组	IIIC	表面可燃粉尘
含有气体的大气环境中的最大表面温度		T1 = 450°C
		T2 = 300°C
		T3 = 200°C
		T4 = 135°C
		T5 = 100°C
		T6 = 85°C
含有粉尘的大气环境中的最大表面温度		示例温度：
		T85°C
		T110°C
		T120°C
		T125°C
		T240°C
特别限制，比如环 X 环境温度范围。		

## 有用的信息

### 网站

登录到 Atlas Copco: [www.atlascopco.com](http://www.atlascopco.com).

您可以从我们的网站上找到关于我们产品、附件、备件和已发布事件的信息。

### 原产地

请参见产品标签上的信息。

### 质保

- 产品保修在首次启用产品后 12 个月内有效，但无论如何，最迟应在交付产品后 13 个月内过期。
- 保修不包括部件正常的磨损和断裂。
  - “正常磨损和断裂部件”是指在工具常规维护期内，需要更换、进行其他调整/大修的部件（以时间、运行时数或其他形式表示）。
- 产品保修以工具及组件的正常使用、维护和修理为前提。
- 本保修不适用于在保修有效期内因维护保养不当或由 Atlas Copco 及其授权维修服务合作伙伴之外的他方进行维修保养而造成的损坏部件。
- 要避免工具零配件损坏或断裂，请按建议的维护周期保养工具并严格遵守说明操作。
- 保修类修理仅在 Atlas Copco 维修间或由获得授权的维修服务合作伙伴处理。

Atlas Copco 通过 ToolCover 合约提供延保及最佳的预防维护服务。有关详情，请联系您当地的服务代表。有关详情，请联系您当地的服务代表。

电动马达：

- 保修仅适用于未打开过的电动马达。

## ServAid

ServAid 是一个包含所有硬件和软件产品技术信息的门户，例如以下信息：

- 法规和安全信息
- 技术数据
- 安装、操作和服务说明
- 备件列表
- 配件

ServAid 持续更新，可在此处下载：<https://servaid.atlascopco.com>

有关更多信息，请联系您当地的 Atlas Copco 代表。

## 安全数据表 MSDS/SDS

安全数据表介绍了 Atlas Copco 出售的化学产品。

有关更多信息，请参阅网站：

[www.atlascopco.com/sds](http://www.atlascopco.com/sds)

## 技術データ

### 技術データ

オーダー番号	8411033965
型式	LZB34-RL-AR005-11
自由速度での空気消費量	l/s
自由速度での空気消費量	cfm
最大出力での空気消費量	7.9 l/s
最大出力での空気消費量	16.8 cfm
制動トルク	Nm
制動トルク	ft lb
ビルトインブレーキ	No
外付けパーツ材料	Stainless steel
無負荷回転数	450 r/min
最大出力	0.25 kW
最大出力	0.34 hp
最小始動トルク	12.6 Nm
最小始動トルク	9.3 ft lb
比	
回転方向	Reversible
シャフト負荷コード	c
シャフトタイプ	Keyed
最大出力時回転数	240 r/min
ストールトルク	19.6 Nm
ストールトルク	14.5 ft lb
最大出力時トルク	9.8 Nm
最大出力時トルク	7.2 ft lb

ベントタイプ	Lubrication free
重量	1.2 kg
重量	2.65 lb
入口ホース	10 mm
入口ホース	0.4 in
IP保護等級	IP66/IP68/IP69
出口ホース	10 mm
出口ホース	0.4 in
IP 等級	IP66/IP68/IP69

## IP 等級

エアモーターの IP 等級は機械ケーシングが IEC 60529 規格に準じていることを示します。IP 等級は、清浄な真水以外の液体に対する耐腐食性を網羅するものではありません。

## 宣言

### EU適合宣言

弊社 Atlas Copco Industrial Technique AB, SE-105 23 STOCKHOLM SWEDEN は、弊社製品（名称、型式、シリアル番号、表紙参照）が機械指令 2006/42/EC の次の必須要件を満足していることを、弊社の単独責任の下で宣言します。

2006/42/EC (Annex I, clauses 1.1, 1.2 (excluding 1.2.4.3), 1.3, 1.4, 1.5, 1.6, 1.7)

また、この部分的に完成した機械は、次のその他の EU 指令の規定に準拠していることを宣言します。

2014/34/EU (ATEX)

この部分的に完成した機械は、組み込まれる最終機械が必要に応じて機械指令 2006/42/EC の規定に従って宣言されるまで、使用を開始してはなりません。

欧州整合規格の以下の部分/条項が適用されています。

EN 1127-1:2019, EN ISO 12100:2010, EN ISO 80079-36:2016, EN ISO 80079-37:2016

該当する技術文書は編纂されており、デンマークの認証機関 ExVeritas ApS (EU 識別番号 2804) において、機会指令 2006/42/EC Annex VII のパート B および ATEX 指令 2014/34/EU の第 13 条 (1) b) ii に従って伝達されました。当局は以下から ATEX 指令 2014/34/EU に関連する技術情報を文書形式で取得できます：  
<https://www.exveritas.com/2022/02/02/what-you-need-for-atex-and-ukca-explosive-atmosphere-certification-for-the-uk-and-eu-markets/>

Stockholm, 1 September 2023

Håkan Andersson, Managing Director

発行者による署名



## 地域の要件

### ⚠ 警告

本製品によって、カリフォルニア州において癌や出生異常、その他生殖能への悪影響を引き起こすことが知られている鉛などの化学物質に晒されることがあります。詳細情報については [www.P65Warnings.ca.gov](http://www.P65Warnings.ca.gov) をご覧ください。

## REACH第33条に関する情報

化学物質の登録、評価、認可および制限に関する欧州 (EU) 規制第1907/2006号 (REACH) は、とりわけサプライチェーンにおけるコミュニケーションに関する要件を定義しています。情報要件は、いわゆる「高懸念物質 (SVHC)」、「候補リスト」を含む製品にも適用されます。2018年6月27日に、鉛金属 (CAS番号 7439-92-1) が候補リストに追加されました。

本書は、製品の特定の機械部品が鉛金属を含む可能性があることを、上記に従ってお知らせすることを目的としています。これは現行の化学物質規制法に準拠しており、RoHS指令 (2011/65/EU) の合法的免除に基づいています。通常の使用中に鉛金属が製品から漏れたり、変化することはありません。また、製品全体の中の鉛金属の濃度は、該当する限界値をはるかに下回ります。製品の寿命終了時における鉛の処理に関する地域の要件をご考慮ください。

## 安全

### ⚠ 警告 物的損害や重傷を負う危険性

ツールを操作する前にすべての指示を読み、理解し、それらに従っていることを確認してください。すべての注意事項に従わない場合、感電、火災、物的損害、重傷に至る危険性があります。

- ▶ システムのさまざまな部品とともに提供される安全情報をお読みください。
- ▶ システムのさまざまな部品の設置、運用、保守のための製品注意事項をお読みください。
- ▶ システムおよびその部品に関するすべてのローカル規定安全規制をお読みください。
- ▶ 今後の参考のために、すべての安全情報と注意事項を保管しておいてください。

## 使用陳述書

このモータは固定機械または可動機械に組み込むよう設計されています。右回転のみ、左回転のみ、または可逆回転のいずれかであり、フランジまたはねじ付きノーズだけで適宜取り付けてください。その他の使用は許可されていません。プ口専用です。

爆発する可能性のある環境下でモータが引火源になる危険性はほとんどありません。モータを組み込む機械全体に関わる危険性について評価を行うのはユーザーの責任となります。

## 製品の詳細説明書

### 警告

#### ⚠ 警告 ポリマーの危険性

本製品のベーンには PTFE (合成フッ素重合体) が含まれています。摩耗により PTFE 粒子が製品内に残っている場合があります。PTFE は加熱されると、特に汚染されたタバコを吸った場合など、インフルエンザに似た症状のポリマーヒューム熱を引き起こす場合があります。

ベーンおよび他の構成部品を扱う際には、PTFE に対する安全衛生勧告に従わなければなりません。

- ▶ 本製品のメンテナンスの際には喫煙しないでください。
- ▶ PTFE 粒子が炎やグロー放電や熱に触れないようにしてください。
- ▶ モータ部品は洗浄液で洗い、送気管の風を当てないでください。
- ▶ 他の作業を始める前には手を洗ってください。

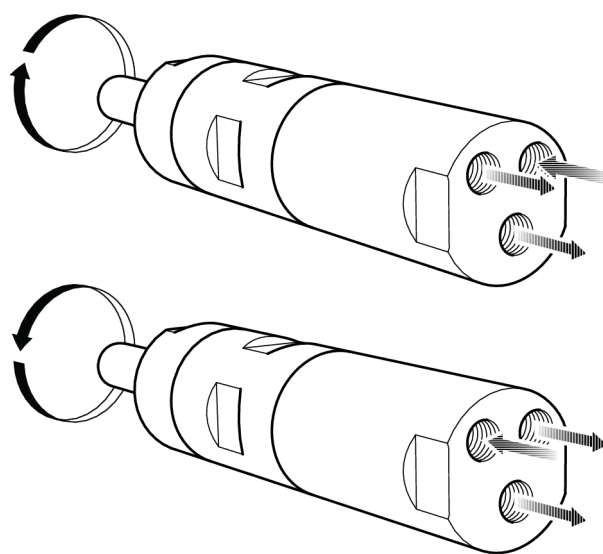
## IP 等級

エアモータの IP 等級は加圧状態において定められたもので、排気口または取り付けられたサイレンサーは除外されます。モータが水中に沈んだ状態、または強い噴流に晒された状態で作動する場合、ホースで排気口に水がかからないようにすることが推奨されます。水中に沈める場合、モータの圧力を、沈んだ深さでかかる圧力よりも常に高圧にするようにしてください。

## 空気供給口の接続

圧縮空気供給口を吸気口に接続する場合、回転方向は下図に示すとおりとなります。排気をパイプで送り出す場合、ホースを排気口に接続する必要があります。

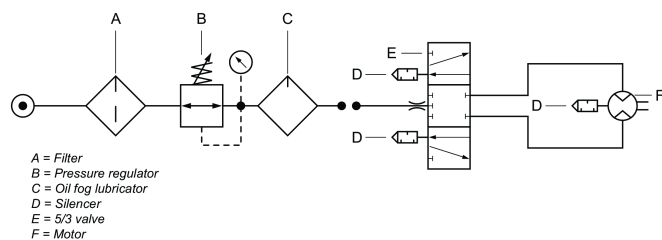
圧縮空気供給口は、所望の回転方向の対応する入口に接続する必要があります (下図参照)。使用していない吸気口は、追加の吐出口として機能するため、ふさがないでください。



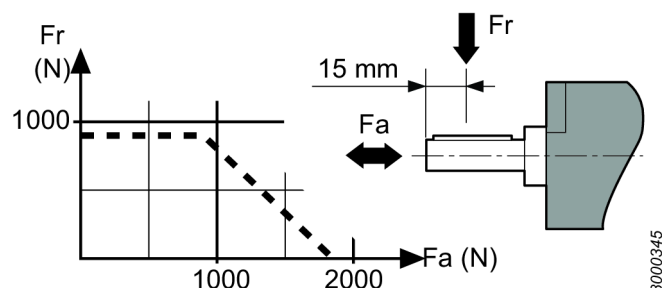
s015473

## 設置図

## 可逆モータ



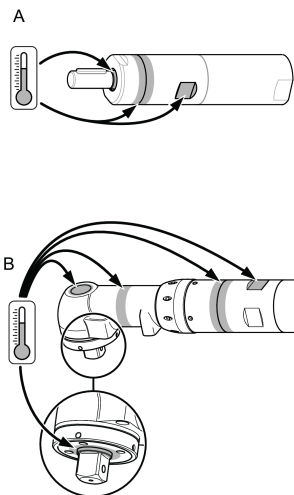
## 軸荷重図



## ホットスポット

モーターの次のホットスポットは、動作中に高温になることがあります：画像は特定の型式におけるホットスポットを示します。

- 出力シャフトのシールリング (A、B、C)
- フロント部分とギアリング間のジョイント (A、B)
- キーグリップ (A、B)



モータは無負荷の状態で大圧で動作しているときに最高気温になります。トルクが増加すると、空気モータは回転数と温度を低下させます。

## 警告

本モータを使用する前に、操作説明を十分理解してください。

本モータ、そのアタッチメント、および付属品は、本来設計された目的でのみ使用してください。

製造物責任および安全のために、モータ、そのアタッチメント、もしくは付属品に対して製造物責任に影響を与える可能性のある改造を行うには、あらかじめメーカ認定技術者の承認がなければなりません。

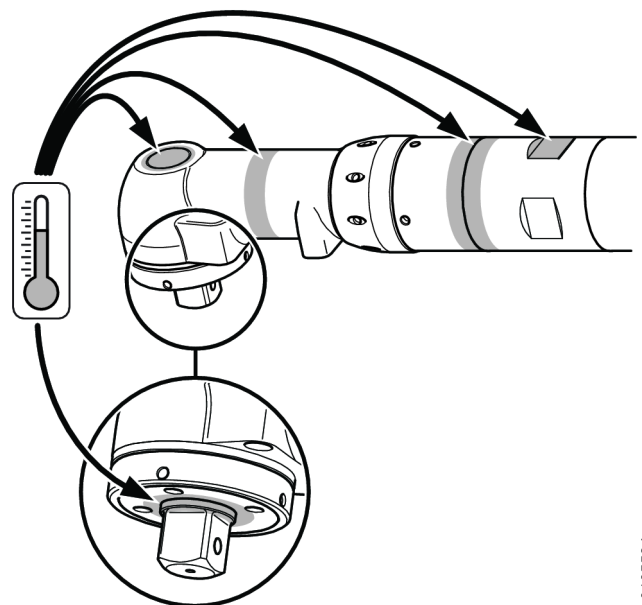
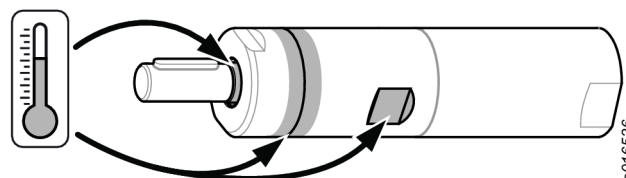
人身事故および長期的な危険を防止するために：

- モータがATEX証明を受けている場合、モータの出口ポートにフィルタ/サイレンサを取り付けなければなりません。  
サイレンサは、他の使用条件下でも騒音を低減させるために推奨されています。
- 調整動作を行う前に空気ラインからモータを外します。
- 手、髪の毛、および衣服を回転部品に近づけないよう、常に気をつけてください。

## メンテナンス

- このATEX製品のメンテナンスや修理は、認定された作業者が必ず行うこととし、その後、無負荷試験とホットスポット (図参照) の温度測定を行い、報告書に記録してください。

5分間の無負荷試験後、表面温度は  $45^{\circ}\text{C} + \text{周囲温度}$  の合計を超えてはいけません。ここで周囲温度は  $0 - 40^{\circ}\text{C}$  の範囲で変化することがあります。



## 一般的な安全に関する注意事項

ケガの危険性を減らすために、本ツールの使用、取り付け、修理、保守、アクセサリ交換を行う人、あるいは近くで作業する人は、すべて、作業を実施する前に本注意事項を読み理解しなければなりません。

安全で効率の良い作業に役立つツールを提供することがアトラスコプコの目標です。どのようなツールでも、最も重要な安全装置は「お客様」ご自身です。皆

様の注意と正しい判断が、けがをしないための最善の防護手段です。発生し得るあらゆる危険性をここで網羅することはできませんが、そのうち重要なものをいくつか取り上げました。

- このパワーツールの設置、調整や使用は、有資格で訓練を受けた作業者のみが行ってください。
- 本ツールとそのアクセサリは絶対に改造しないでください。
- 損傷している場合は本ツールを使用しないでください。
- 本ツールの定格回転数、作動圧力、危険性の警告サインの読み取りができなくなったり、外れている場合、即座に交換してください。

**① 安全に関する追加情報については、以下を照会してください：**

- 本ツールに同梱のその他の文書および情報
- お客様の雇用主、組合、事業者団体
- 詳細な労働安全衛生情報については、次の Web サイトを参照してください：
  - <http://www.osha.gov> (米国)
  - <https://osha.europa.eu/> (欧州)

### 給気と接続の危険性

- 空圧は重大な怪我の原因となることがあります。
- 使用していないとき、アクセサリ交換前、修理時には必ず給気を切り、空圧のかかったホースを排気し、ツールを給気口から外してください。
- エアを決して自分または他の人に向けないでください。
- ホースがゴムチのように跳ねると、大きなケガを引き起こす可能性があります。ホースや取付具の損傷や弛みを必ず点検してください。
- 6.3 bar/90 psig またはツールの銘板に書かれている最高空気圧を超えないようにしてください。

### 絡まりの危険性

- 回転している駆動部から離れてください。ゆったりした衣服、手袋、装飾品、ネクタイ、髪の毛をツールや付属品から遠ざけないと、首を絞めたり、頭髮がはげれたり、裂傷を引き起こすことがあります。

### 飛散物の危険性

- ツールの操作、修理、保守の際、あるいはツールのアクセサリを交換する際、または、その近くにいる場合、必ず目と顔を守る耐衝撃性防具を着用してください。
- 同じ場所にいるほかの全員も、耐衝撃性のある目と顔の保護装備を装着してください。小さな飛散物であっても目を傷つけて失明の原因となります。
- ワークピースがしっかりと固定されているか確認してください。

### 操作に伴う危険性

- ツールをしっかりと固定してください。
- >ワークピースを取り外す際は、ツールが完全に停止していることを確認してください。

- モータ/トルクモータが組み込まれる機械には始動・停止・非常停止制御装置を必ず取り付けてください。

### 騒音の危険性

- 高サウンドレベルにより永久に聴力が失われたり、耳鳴りなどの問題が生じることがあります。ご自身の雇用者、または職業上の健康と安全のための規定で推奨される防音用耳栓を使用してください。
- 騒音のレベルが不必要に高くないようにするには、本取扱説明書にしたがってツールを操作、保守し、アクセサリや消耗品を選択、保守、交換します。

### 作業場の危険性

- 滑ること、つまづくこと、転倒が重大なケガや死亡事故の主な原因です。歩く所や作業場の床に置いたままの余分なホースに気をつけてください。
- 作業の過程で出るホコリを吸い込んだり、破片に手で触れないでください。健康上有害となる可能性があります(癌、出生異常、喘息、皮膚炎など)。浮遊粒子の生じる物質を扱う作業では、集塵機を使用し、呼吸用保護具を装着してください。
- 動力を使った研磨、切断、研削、穴あけ、その他の建築作業で生じるホコリには、カリフォルニア州において、癌や出生異常その他生殖への危害を引き起こすことが知られている化学物質が含まれている場合があります。以下は、そうした化学物質の例です：
  - 鉛入りの塗料から出る鉛
  - 結晶シリカのレンガやセメントその他の築壁用製品
  - 化学処理したゴムに由来する砒素およびクロム
 こうしたものに曝されることによる危険性は、この様な作業をどれほど頻繁に行うかによって異なります。こうした化学物質への曝露を低減するには、十分な換気が行われている場所で作業し、微細粒子を除去する特殊設計の防塵マスク等の認可された安全機器を使って作業を行ってください。
- 慣れない環境で作業する場合は、細心の注意を払ってください。作業によって生じる可能性のある危険に注意を払ってください。このツールは、電源と接触する場合に対して絶縁されていません。

### 廃棄せずにユーザーにお渡しください

### 表示とステッカー

本製品には、個人の安全および製品のメンテナンスに関する重要な情報を記載した表示とステッカーがあります。表示とステッカーは、常に読みやすいものでなければなりません。スペアパーツリストで、新しい表示とステッカーをご注文いただけます。



## ATEX 認証情報

## 温度

- 認証が有効な最大周囲温度は 40°です。
- 40°Cはまた、圧縮空気が製品に入った場合の圧縮空気の最大許容温度です。
- ある機器に製品を設ける場合、装置全体は、指針 2014/34/EU に対応しなければなりません。
- 圧縮空気が弊社の品質要求 ( ISO / DIS 8573-1 : 2010 に準拠した品質クラス2.4.3および3.4.4、それぞれ 3.5.4 ) を満たしていることを確認してください。
- 6.3パールの最大圧力、または、製品の銘板に記載した圧力を超えないようにしてください。運転圧力を超えると、高回転数のために表面温度が上がることもあり、製品が発火源になることがあります。

## Ex分類

本製品が、異なるEx分類をコンポーネントがもつアセンブリの一部である場合、安全レベルが最も低いコンポーネントがアセンブリ全体のEx分類を定義します。

## 爆発防止指針

## 清浄度

- 軸受と表面温度の上昇を防ぐために、製品にはこりや汚れがなく清潔に保たれていることを確認します。
- 消音器を使用している場合：空気出口にフィルタリング効果のあるサイレンサが設けられており、摩擦加熱された粒子が周囲雰囲気内に入らないことを確認します。

## 使用法

- 本製品が、ホースなどのアクセサリや空圧接続などによってワークショップの等電位アース装置に接地されていることを確認してください。
- 本製品と、レンチや空気接続など考えられるあらゆるアクセサリが、爆発する危険性のある場所で使用される機器に対する国の安全規制に準拠していることを確認するのはユーザーの責任です。

## ATEXコード定義

ATEXコードは次のとおりです。



Ex II 2 G Ex h IIC T6 Gb

Ex II 2 D Ex h IIIC T85°C Db

°C ≤ Ta ≤ 40 °C

説明	値	定義
機器グループ	II	表面産業

説明	値	定義
機器カテゴリ	2	高レベルの保護
グループII		<ul style="list-style-type: none"> <li>• ゾーン1 ( ガス )</li> <li>• ゾーン2 ( ガス )</li> <li>• ゾーン21 ( ダスト )</li> <li>• ゾーン22 ( ダスト )</li> </ul>
大気	G	ガス、蒸気またはミストを含む大気
	D	ダストを含む大気
安全設計	h	機械製品
ガスグループ	IIC	水素/アセチレン
	II B	エチレン
ダストグループ	IIIC	表面の可燃性粉塵
ガス大気中の最高表面温度		T1 = 450°C
		T2 = 300°C
		T3 = 200°C
		T4 = 135°C
		T5 = 100°C
		T6 = 85°C
ダスト大気中の最高表面温度		温度例 :
		T85°C
		T110°C
		T120°C
		T125°C
		T240°C
周囲温度範囲など X		の特別な制限。

## 有用な情報

## ウェブサイト

アトラスコプロコに Atlas Copco: [www.atlascopco.com](http://www.atlascopco.com).

弊社のウェブサイトには、弊社製品、アクセサリ、スペア部品、印刷物に関する情報が掲載されています。

## 生産国

製品ラベルの情報をご参照ください。

## 保証

- 製品保証は、製品を最初に使用してから 12 か月で有効期限が切れますが、いかなる場合でも納品後、最長 13 か月で有効期限が切れます。
- 部品の通常の磨耗や傷は保証に含まれません。

- 通常の摩耗および裂傷は、その期間に典型的な標準的な工具のメンテナンス(時間、稼働時間などで表される)中に部品交換またはその他の調整/オーバーホールが必要なものです。
- 製品保証は、ツールとその構成部品の正しい使用、メンテナンスおよび修理に依存しています。
- 不適切なメンテナンス、または、保証期間中に Atlas Copco 以外の人またはその認証サービスパートナーによって実施されたメンテナンスの結果発生した部品の損傷は保証対象となりません。
- ツール部品の損傷や破壊を防ぐために、推奨されるメンテナンススケジュールに従ってツールの整備を行い、適切な手順に従ってください。
- 保証による修理は、必ず Atlas Copco ワークショップで、または認定サービスパートナーが実施してください。

その Atlas Copco 契約により、延長保証と最新式の予防保守を提供します。ToolCover詳細については、お近くのサービス担当者にお問い合わせください。

電動モータの場合：

- 電動モータが開かれていない場合のみ保証が適用されます。

### ServAid

ServAidは、次のようなハードウェアおよびソフトウェアの全製品の技術情報の掲載されたポータルです。

- 規制及び安全に関する情報
- 技術データ
- 設置、運転およびサービスに関する注意事項
- 予備部品のリスト
- アクセサリ

ServAidは継続して更新され、以下からアクセスできます。 <https://servaid.atlascopco.com>

詳細については、お近くのアトラスコプコ代理店にお問い合わせください。

### 安全データシート MSDS/SDS

安全性データシートは、アトラスコプコが販売する化学製品について説明しています。

詳細については、ウェブサイトを参照してください：  
[www.atlascopco.com/sds](http://www.atlascopco.com/sds)

## 기술 자료

### 기술 데이터

주문 번호	8411033965
모델	LZB34-RL-AR005-11
공회전 속도 시 공기 소모량	l/s
공회전 속도 시 공기 소모량	cfm
최대 출력 시 공기 소모량	7.9 l/s
최대 출력 시 공기 소모량	16.8 cfm
브레이크 토크	Nm
브레이크 토크	ft lb

내장 브레이크	No
외부 물질	Stainless steel
공회전 속도	450 r/min
최대 출력	0.25 kW
최대 출력	0.34 hp
최소 시작 토크	12.6 Nm
최소 시작 토크	9.3 ft lb
비율	
회전 방향	Reversible
샤프트 부하 코드	c
샤프트 유형	Keyed
최대 출력 시 속도	240 r/min
엔진 정지 토크	19.6 Nm
엔진 정지 토크	14.5 ft lb
최대 출력 시 토크	9.8 Nm
최대 출력 시 토크	7.2 ft lb
날개 유형	Lubrication free
중량	1.2 kg
중량	2.65 lb
인입구 호스	10 mm
인입구 호스	0.4 in
유입 보호 등급	IP66/IP68/IP69
배출 호스	10 mm
배출 호스	0.4 in
IP 등급	IP66/IP68/IP69

### IP 등급

모터의 IP 등급은 IEC 60529 표준에 따른 기계적 케이싱을 의미합니다. IP 등급은 내식성을 보장하지 않으며 또한 깨끗한 물 이외의 다른 액체에 대한 보호 기능도 포함하지 않습니다.

## 선언

### EU 법인 선언문 (EU DECLARATION OF INCORPORATION)

Atlas Copco Industrial Technique AB, SE-105 23 STOCKHOLM SWEDEN은(는) 이 제품(이름, 종류 및 일련번호 포함, 일면 참조)이 기계 지침 2006/42/EC의 필수 요건을 충족하고 있음을 당사의 전적인 책임 하에 선언합니다.

2006/42/EC (Annex I, clauses 1.1, 1.2 (excluding 1.2.4.3), 1.3, 1.4, 1.5, 1.6, 1.7)

이 반제품 기계류는 다음 기타 EU 지침(들)의 조항을 준수합니다:

2014/34/EU (ATEX)

이 반제품 기계류는 향후 동조될 완제품 기계류가 기계 지침 2006/42/EC의 조항을 준수한다고 선언될 때까지 서비스 대상으로 분류되어서는 안 됩니다.

다음과 같은 유럽 공통 표준(유럽의 부속 문서)이 적용되었습니다.

EN 1127-1:2019, EN ISO 12100:2010, EN ISO 80079-36:2016, EN ISO 80079-37:2016

관련 기술 문서가 작성되어 활용할 수 있으며 덴마크 내 인증기관 ExVeritas ApS (EU 식별번호 2804)에서 Annex VII의 기계류 지침 2006/42/ EC part B 및 ATEX Directive 2014/34/ EU 13조 (1) b)항에 따라 전달 받았습니다. ATEX Directive 2014/34/EU에 대한 기술 파일은 당국만 서면으로 요청할 수 있음:

<https://www.exveritas.com/2022/02/02/what-you-need-for-atex-and-ukca-explosive-atmosphere-certification-for-the-uk-and-eu-markets/>

Stockholm, 1 September 2023

Håkan Andersson, Managing Director

발급자 서명



## 지역 요구 사항

### ⚠ 경고

이 제품을 사용하면 캘리포니아 주에서 보고된 암 및 선천적 장애 또는 기타 출산 장애를 유발하는 납을 포함한 화학 물질에 노출될 수 있습니다. 자세한 정보는 [www.P65Warnings.ca.gov](http://www.P65Warnings.ca.gov) 웹 사이트를 참조하십시오.

## REACH 33조에 관한 정보

등록, 평가, 허가 및 화학 물질 규제(REACH: Registration, Evaluation, Authorization and restriction of Chemicals)에 관한 유럽 규정 (EU) No. 1907/2006은 공급망에서 커뮤니케이션과 관련된 요구 사항을 정의합니다. 정보 요구 사항은 소위 매우 우려가 되는 물질(이하 “후보목록”)이 포함된 제품에도 적용됩니다. 2018년 6월 27일 납 금속(CAS no 7439-92-1)이 후보 목록에 추가되었습니다.

위의 내용에 의거하여 제품의 특정 기계 부품에 납 금속이 포함될 수 있음을 알려드립니다. 이는 현재의 물질 제한 법안에 적법하며 RoHS 지침(2011 / 65 / EU)의 합법적 면제에 근거합니다. 납 금속은 정상적인 사용 중에는 제품에서 누출되거나 변이가 되지 않으며, 완제품에서 납 금속의 농도는 적용 기준 한계보다 훨씬 낮습니다. 제품 폐기시 납의 폐기에 대한 현지 요구 사항을 고려하십시오.

## 안전

### ⚠ 경고 재산 피해 또는 심각한 부상의 위험

공구를 작동하기 전에 모든 지침을 읽고, 이해하고 준수하도록 하십시오. 모든 지침을 따르지 않을 경우 감전, 화재, 재산 피해 및/또는 심각한 신체적 부상을 야기할 수 있습니다.

- ▶ 시스템의 다른 부품과 함께 제공된 안전 정보를 전부 읽으십시오.
- ▶ 시스템의 다른 부품에 대한 설치, 작동 및 유지보수에 대한 제품 지침을 전부 읽으십시오.
- ▶ 시스템 및 해당 부품에 대한 모든 지역별 지정 안전 규정을 전부 읽으십시오.
- ▶ 추후에 참조할 수 있도록 모든 안전 정보와 지침을 보관하십시오.

## 용도 선언

이 모터는 고정식 기계 또는 이동식 기계에 추가하도록 설계되어 있습니다. 이는 왼손잡이 전용, 오른손잡이 전용 또는 회전 방향으로 전환할 수 있는 버전으로 제공되며 경우에 따라 플랜지 또는 스레드 노즈에 의해 장착되어야 합니다. 다른 용도는 허용되지 않습니다. 전문용으로만 사용.

모터가 폭발 가능성이 있는 대기의 점화원이 될 위험성은 매우 낮습니다. 모터가 추가될 기계 전체와 관련된 위험을 평가할 책임은 사용자에게 있습니다.

## 제품별 설명

### 경고

#### ⚠ 경고 폴리머 위험

이 제품의 날개에는 PTFE(합성 불소고분자)가 함유되어 있습니다. 마모 때문에 PTFE 입자가 제품 내부에 존재할 수 있습니다. 가열된 PTFE(합성 불소고분자)는 독감과 비슷한 증상을 동반하는 중합체 증기열의 원인 물질인 연기를 발생시킬 수 있으며 특히 담배 연기로 오염된 경우 더욱 그러합니다.

날개 및 기타 구성 요소를 취급할 때 PTFE(합성 불소고분자)에 대한 건강안전 수칙을 따라야 합니다.

- ▶ 이 제품에 대한 서비스를 수행할 때 흡연하지 마십시오.
- ▶ PTFE 입자가 화염, 빛 또는 열과 접촉하지 않아야 합니다.
- ▶ 모터 구성 요소는 깨끗한 액체로 세척해야 하며 에어 라인을 사용한 송풍을 피해야 합니다.
- ▶ 다른 활동을 시작하기 전 손을 씻으십시오.

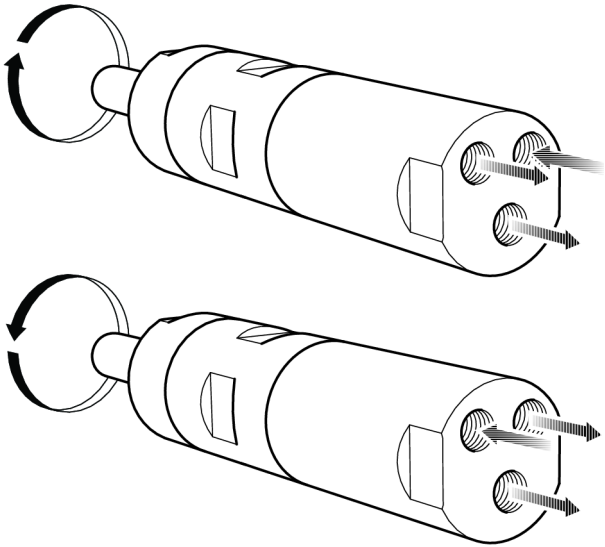
## IP 등급

에어 모터의 IP 등급은 압력을 가한 상태에서 설정되며 배출구 또는 부착된 소음기는 제외됩니다. 만약 모터가 물에 잠긴 상태 또는 헤비 워터 제트에서 작동된다면, 호스를 부착하여 물 밖으로 배출구를 만드는 것이 좋습니다. 물에 잠겼을 때 모터를 해당 깊이 보다 항상 높은 압력을 가하고 또한 유지해야 합니다.

공기 공급 장치 연결

압축 공기 공급 장치가 유입구에 연결될 경우 회전 방향은 아래의 그림과 같습니다. 배출 공기를 배출하려면 호스가 배출구에 연결되어 있어야 합니다.

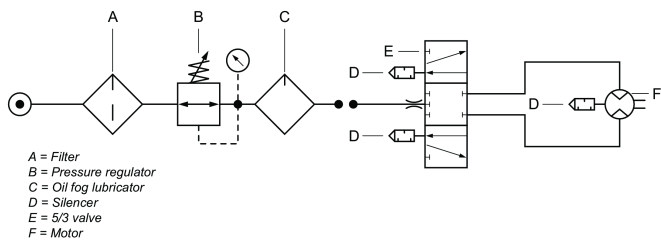
압축 공기 공급 장치는 원하는 회전 방향에 해당하는 유입구에 연결되어야 합니다. 아래 그림을 참조하십시오. 사용하지 않는 유입구는 추가 배출구의 기능을 하며 연결해서는 안 됩니다.



s015473

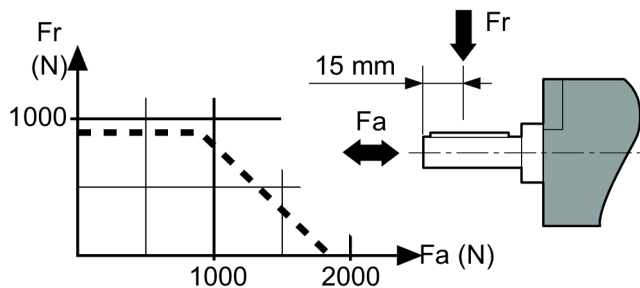
설치 다이어그램

가역 모터



s015475

샤프트 부하 도표

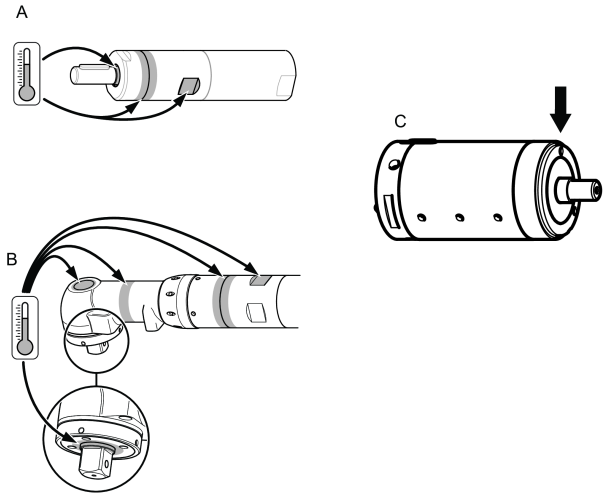


8000345

핫스팟

다음은 모터의 고온점을 나타내며 작동 중에 높은 온도로 상승할 수 있습니다. 그림은 특정 모델에 대한 고온점을 보여줍니다.

- 출력축의 실링 링 (A, B, C)
- 전면 부품과 기어 링 사이의 연결부위 (A, B)
- 핵심 그림 (A, B)



102626601

모터가 부하 없이 최대 압력으로 작동할 때 온도가 최고로 상승합니다. 토크가 증가하면, 에어 모터의 회전 속도와 온도가 감소합니다.

경고

이 모터를 사용하기 전 작동 지침을 반드시 숙지하십시오.

이 모터와 첨부물 및 부속품은 설계 용도로만 사용해야 합니다.

제조물 책임 및 안전성의 이유때문에 제조물 책임에 영향을 미칠 수 있는 모터나 부속에 대한 개조는 제조업체의 기술 사무국의 동의를 얻어야 합니다.

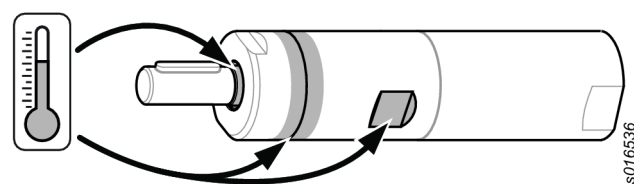
개인적인 부상이나 장기간의 위험을 방지하기 위하여 다음을 따릅니다.

- 모터가 ATEX 인증을 받은 경우 모터의 출구 포트에 필터/소음기를 설치해야 합니다.
- 소음기는 소음에 대한 노출을 줄이기 위해 다른 응용 환경에서도 사용하는 것이 좋습니다.
- 모든 조절 작업 전에 에어 라인에서 모터를 분리하십시오.
- 손, 머리카락, 의복이 항상 회전하는 부품에서 멀리 떨어져 있도록 주의하십시오.

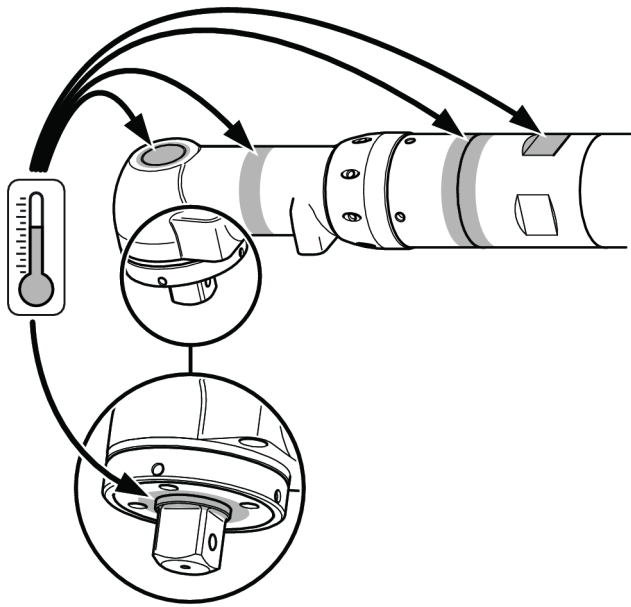
유지관리

- 본 ATEX 제품의 유지보수 및 수리는 반드시 공인 기사에 의해서만 실시되어야 하며 유지보수 및 수리가 끝난 후에는 무부하 시험과 고온점(그림 참조)의 온도 측정을 실시하고 보고서에 기록해야 합니다.

5분간의 무부하 시험이 끝난 후에 표면 온도가 45°C + 주변 온도(주변 온도는 0 - 40°C 사이에서 달라질 수 있음)의 합을 초과해서는 안 됩니다.



s016536



### 일반 안전 지침

상해 위험을 줄이기 위해 부속품을 사용, 설치, 수리, 유지 보수 또는 교체하는 사람이나 본 공구 주변에서 작업하는 사람은 해당 작업을 수행하기에 앞서 반드시 본 지침을 읽고 이해해야 합니다.

당사의 목표는 안전하고 효율적으로 작업할 수 있는 공구를 생산하는 것입니다. 이 공구를 포함하는 모든 공구에 대한 가장 중요한 안전 장치는 귀하입니다. 귀하의 사려와 좋은 판단이 상해에 대한 최상의 보호입니다. 가능한 위험들을 여기서 모두 다룰 수는 없으나, 가장 중요한 것 몇 가지를 강조하려고 했습니다.

- 유자격의 교육 받은 작업자만이 이 파워 공구를 설치, 조절 및 사용해야 합니다.
- 이 공구와 그 부속품을 변형시켜서는 안 됩니다.
- 손상된 경우 이 공구를 사용하지 마십시오.
- 공구에 정격 속도, 작동 압력 또는 위험 경고 징후가 보이거나 확실한 경우, 기다리지 말고 즉시 교체하십시오.

#### ❶ 추가의 안전 정보는 다음을 참조하십시오.

- 이 공구와 함께 포장된 기타 문서 및 정보.
- 노동조합 및/또는 동업 조합
- 그 밖의 노동 위생 및 안전 정보는 아래 웹 사이트에서 확인하실 수 있습니다.
  - <http://www.osha.gov> (미국)
  - <https://osha.europa.eu/> (유럽)

### 공기 공급 및 연결의 위험

- 절대 공기를 자신이나 다른 사람에게 향하게 하지 마십시오.
- 사용하지 않거나, 부속품을 교체하거나 수리 시에는, 항상 공기 공급 장치를 닫은 다음 호스의 공기 압력을 제거하고 나서 공구를 공기 공급 장치로부터 분리합니다.
- 절대로 공기가 자신이나 다른 사람을 향하도록 하지 마십시오.

- 공기를 뿜으며 움직이는 호스는 증상을 초래할 수 있습니다. 호스와 피팅이 느슨하거나 손상되지 않았는지 항상 점검합니다.
- 최대 공기 압력인 6.3 bar/90 psig 혹은 공구 명판의 한도를 초과하지 마십시오.

### 엄청에 의한 위험

- 회전하는 드라이브에 가까이 가지 마십시오. 느슨한 의복, 장갑, 보석류, 넥타이 종류 및 머리카락을 공구 및 부속품으로부터 멀리하지 않으면 질식, 두피 손상 및/또는 열상이 발생할 수 있습니다.

### 투사물의 위험

- 작업을 하거나 근처에 있을 경우, 공구의 수리나 유지 보수 시 혹은 공구의 부속품 교체 시에는, 항상 내충격 눈 및 안면 보호 장비를 착용합니다.
- 작업 영역에 있는 모든 사람들이 내충격 눈 및 안면 보호 장비를 착용하도록 합니다. 작은 투사물이라도 눈을 상하게 하거나 실명을 초래할 수 있습니다.
- 작업물이 단단히 고정되어 있는지 확인하십시오.

### 작업에 따른 위험

- 공구를 확실히 고정하십시오.
- 작업물을 제거하기 전에 공구가 완전히 정지했는지 확인하십시오.
- 모터/토크 모터가 추가되는 기계의 기동, 정지 및 비상 정지 제어를 항상 알맞게 조정하십시오.

### 소음 위험

- 소음 수준이 높으면 영구적인 청력 손상 및 이명과 같은 기타 문제를 야기할 수 있습니다. 귀하의 고용주나 직업 건강 및 안전 법규가 권장하는 청력 보호 도구를 사용하십시오.
- 소음 수준이 불필요하게 증가하지 않게 하려면 본 지침 설명서에 따라 공구를 작동 및 유지보수하고 부속품과 소모품을 선택, 유지보수 및 교체합니다.

### 작업장 위험

- 미끄러짐/걸려 넘어짐/추락은 중상이나 사망의 주요 원인입니다. 걸어다니거나 작업하는 장소의 표면에 호스가 남아 있을 수 있으므로 주의합니다.
- 질병(예: 암, 선천적 결손증, 천식 및/또는 피부염)을 유발할 수 있는 작업 과정에서 발생하는 분진 또는 연무의 흡입이나 부스러기의 취급을 피하십시오. 공기 중 입자를 생성하는 재질을 사용하는 작업 시, 분진 추출 장치를 사용하며 호흡 보호구를 착용하십시오.
- 톱질, 연삭, 드릴링 및 기타 건축 활동에 의해 생성되는 일부 분진은, 캘리포니아 주에서 정한 암, 태아 기형 또는 기타 생식 관련 손상을 초래하는 것으로 알려진 화학물질을 함유합니다. 이러한 화학물질의 예는 다음과 같습니다:

- 납 기반 페인트의 납
- 결정성 실리카로 만든 벽돌, 시멘트 및 기타 석재 제품들.
- 화학 처리된 고무의 비소 및 크롬.

이러한 노출에 따른 위험은 이러한 유형의 작업 빈도에 따라 다릅니다. 이러한 화학물질에 대한 노출 감소 방법: 환기가 잘 된 장소에서 작업하며, 미립자를 여과하도록 특별히 설계된 분진 마스크와 같은 승인 받은 안전 장비를 사용하여 작업.

- 익숙하지 않은 환경에서는 주의해서 진행합니다. 작업 도중 숨겨진 위험이 존재할 수 있습니다. 이 공구는 전원과 접촉 시 절연되지 않습니다.

**버리지 마십시오 – 사용자에게 주십시오**

**표지 및 스티커**

이 제품에는 개인 안전과 제품 유지보수에 관한 중요한 정보가 포함된 표지 및 스티커가 부착되어 있습니다. 표지 및 스티커는 언제나 읽기 쉬워야 합니다. 새로운 표지 및 스티커는 예비 부품 목록을 이용하여 주문할 수 있습니다.



s011050

**ATEX 인증 정보**

**온도**

- 인증이 유효한 최대 주변 온도는 40°C 입니다.
- 40는 또한 압축 공기가 제품에 유입되었을 때 허용되는 최대 온도입니다.
- 본 제품이 장비에 설치된 경우 전체 장비는 지침 2014/34/EU를 준수해야 합니다.
- 압축 공기가 당사 요구 품질(ISO/DIS 8573-1:2010에 따른 품질 등급 2.4.3, 3.4.4 및 3.5.4)을 충족하는지 확인하십시오.
- 6.3 bar 또는 제품 명판에 표시된 최대 압력을 초과하지 마십시오. 작동 온도를 초과하면 높은 회전 속도로 인해 표면 온도가 증가할 수 있으며 제품의 발화 원인이 될 수 있습니다.

**폭발 등급**

제품이 다른 폭발 등급을 갖는 구성품의 조립부품인 경우 가장 낮은 안전성 수준을 갖는 구성품이 전체 조립체의 폭발 등급으로 정의됩니다.

**폭발 방지 지침**

**청결**

- 베어링 및 표면 온도가 높아지는 것을 방지하려면 제품을 오염과 먼지로부터 깨끗하게 유지하십시오.
- 소음기를 사용하는 경우, 에어 배출부에 필터링 효과가 있는 소음기를 설치하여 마찰열 입자들이 주변 대기로 유입되는 것을 방지하십시오.

**사용**

- 제품이 작업장의 등전위 본딩 시스템에 호스, 공기압 연결장치와 같은 부속품을 통해 접지되어 있는지 확인하십시오.
- 렌치 및 공기 연결장치와 같이 제품과 제품에 사용될 수 있는 모든 부속품이 폭발 위험이 있는 장소에서 사용되는 장비에 대한 국내 안전 규정을 준수하는지 확인하는 것은 사용자의 책임입니다.

**ATEX 코드 정의**

**ATEX 코드:**



Ex II 2 G Ex h IIC T6 Gb  
 Ex II 2 D Ex h IIIC T85°C Db  
 $^{\circ}\text{C} \leq T_a \leq 40^{\circ}\text{C}$

설명	값	정의
장비 그룹	II	표면 산업
장비 범주	2	높은 수준의 보호
<b>그룹 II</b>		<ul style="list-style-type: none"> <li>• zone 1 (가스)</li> <li>• zone 2 (가스)</li> <li>• zone 21 (먼지)</li> <li>• zone 22 (먼지)</li> </ul>
대기	<b>G</b>	가스, 증기 또는 안개를 포함한 대기
	<b>D</b>	먼지가 포함된 대기
안전 설계	<b>h</b>	기계 제품
가스 그룹	<b>IIC</b>	수소/아세틸렌
	<b>IIB</b>	에틸렌
먼지 그룹	<b>IIIC</b>	표면 가연성 먼지
가스가 있는 대기에서의 최대 표면 온도		T1 = 450°C T2 = 300°C T3 = 200°C T4 = 135°C T5 = 100°C T6 = 85°C
먼지가 있는 대기에서의 최대 표면 온도		온도 예: T85°C T110°C T120°C T125°C T240°C
주변 온도 범위와 같은 특별 제한 사항	<b>X</b>	

**유용한 정보**

**웹사이트**

로그인 링크 Atlas Copco: [www.atlascopco.com](http://www.atlascopco.com).

제품, 액세서리, 예비 부품 및 발행물에 대한 정보를 홈페이지에서 찾을 수 있습니다.

**원산지 국가**

제품 라벨의 정보를 참조하십시오.

## 보증

- 제품 보증은 제품을 처음 사용한 후 12개월에 만료되지만 인도 후 어떤 일이 있어도 늦어도 13개월 내에 만료됩니다.
- 정상적인 부품의 마모는 보증에 포함되지 않습니다.
  - 일상적인 마모에 의한 손상은 해당 기간의 일반적인 표준 공구 유지보수 동안(시간, 작동 시간 또는 다른 방법으로 표시됨) 부품 변경 또는 기타 조정/점검이 필요한 것입니다.
- 제품 보증은 공구와 구성 부품의 정확한 사용, 유지 및 수리에 의존합니다.
- 보증 기간 동안 부적합한 유지나 Atlas Copco 또는 공인 서비스 협력 업체 외에서 정비를 수행한 결과로 발생한 부품 손상은 보증이 적용되지 않습니다.
- 공구 부품이 손상되거나 파괴되지 않도록 하려면, 권장된 유지 보수 일정에 따라 공구를 정비하고 정확한 지침을 준수하십시오.
- 보증 수리는 Atlas Copco 정비소 또는 인증 서비스 협력업체에서만 수행됩니다.

는 Atlas Copco 계약을 통해 연장된 보증과 최첨단의 예방 정비를 제공합니다. ToolCover. 추가 정보는 가까운 서비스 대리점에 문의하십시오.

전기 모터의 경우:

- 전기 모터가 열리지 않았을 경우에만 보증이 적용됩니다.

## ServAid

ServAid는 모든 하드웨어 및 소프트웨어 제품에 대한 다음과 같은 기술 정보를 포함하는 포털입니다.

규정 및 안전 정보

- 기술 자료
- 설치, 작동 및 서비스 지침
- 예비 부품 목록
- 액세서리

ServAid는 지속적으로 업데이트되며 다음 위치에서 이용할 수 있습니다. <https://servaid.atlascopco.com>

추가 정보는 가까운 Atlas Copco 대리점에 문의하십시오.

## 안전 보건 자료 MSDS/SDS

안전 보건 자료는 Atlas Copco에서 판매한 화학 제품을 설명합니다.

자세한 정보는 다음 웹사이트를 참조하십시오:

[www.atlascopco.com/sds](http://www.atlascopco.com/sds)





Original instructions  
Traduction de la notice originale  
Übersetzung der Originalbetriebsanleitung  
Traducción de las instrucciones originales  
Tradução das instruções originais  
Traduzione delle istruzioni originali  
Vertaling van oorspronkelijke instructies  
Oversættelse af originalvejledning  
Oversettelse av originalinstruksjoner.  
Käännös alkuperäisistä ohjeista  
Μετάφραση πρωτότυπων οδηγιών  
Översättning av ursprungliga instruktioner  
Перевод оригиналов инструкций  
Tłumaczenie oryginalnej instrukcji  
Preklad originálnych pokynov  
Překlad původních pokynů  
Eredeti utasítások fordítása  
Prevod izvirnih navodil  
Traducerea instrucțiunilor originale  
Orijinal talimatların çevirisi  
Превод на оригиналните инструкции  
Prijevod originalnih uputa  
Originaaljuhiste tõlge  
Originalių instrukcijų vertimas  
Oriģinālo instrukciju tulkojums  
原始说明的翻译  
使用說明書初出翻譯  
원본 설명서의 번역문



**Atlas Copco**

**Atlas Copco Industrial  
Technique AB**  
SE-10523 STOCKHOLM  
Sweden  
Telephone: +46 8 743 95 00  
[www.atlascopco.com](http://www.atlascopco.com)

© Copyright 2023, Atlas Copco Industrial Technique AB. All rights reserved.  
Any unauthorized use or copying of the contents or part thereof is prohibited.  
This applies in particular to trademarks, model denominations, part numbers  
and drawings. Use only authorized parts. Any damage or malfunction caused  
by the use of unauthorized parts is not covered by Warranty or Product  
Liability.

Out of respect to wildlife and nature, our technical literature is printed on  
environmentally friendly paper.