

Viamaster™ LED Series Luminaires

For NEC and CEC Governed Hazardous Locations

NEC/CEC:
 Class I, Division 2, Groups A, B, C, D
 Class I, Zone 2, Group IIC
 Class II, Division 2, Groups F, G
 Class III
 Type 3R, 4, 4X

NEC/CEC:
 Marine Outside Type- For USA Only ‡
 IP66/IP67

Accessories and Replacement Parts

	Description	Catalog Numbers
<p>Mounting Brackets — Set of Two</p>	<p>Hinged Brackets</p> <p>Aluminium</p>	<p>FEHBA</p>
	<p>Fixed 45° Wall Mount</p> <p>11-gauge (1/8") stainless steel</p>	<p>FVWFM</p>
	<p>M8 Ring Bolts</p> <p>Zinc plated steel — For use with optional safety chain (not provided)</p>	<p>FERBM8Z</p>
<p>Safety Cables — Set of Two</p>	<p>Safety Cables — Attached to fixtures to guard against them falling when the primary method of attachment fails.</p>	<p>LLEDSC</p>
<p>Replacement Drivers</p>	<p>120-277 Vac driver (-40 °C to +65 °C) 347-480 Vac driver</p>	<p>LLEDBU2 LLEDBH</p>
<p>Replacement Lenses</p>	<p>Clear Polycarbonate lens with an integral gasket Diffused lens with an integral gasket</p>	<p>LLEDGPL LLEDDPL</p>

‡ Fusing option not available with Marine Outside Type (Salt Water) rating. Fusing option not permitted for cUL.

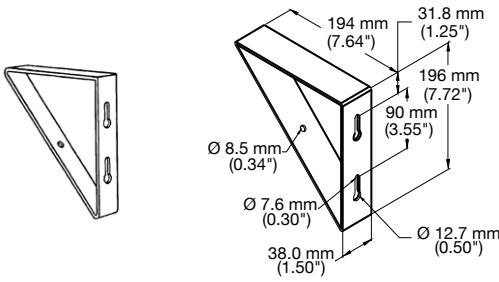
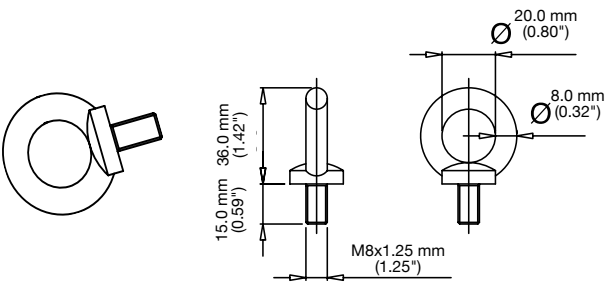
Viamaster™ LED Series Luminaires

For ATEX and IECEx Governed Hazardous Locations

ATEX/IECEX:
Zones 2 and 22
II 3 GD
EPL Gc and Dc
Ex nA IIC; Ex tc IIIC
IP66/IK08

ATEX/IECEX:
Zone 21
II 2 D
EPL Db
Ex tb IIIC
IP66/IK08

Accessories and Replacement Parts

	Description	Catalog Numbers
Mounting Brackets — Set of Two 	Fixed 45° Wall Mount 11-gauge (1/8") stainless steel ①	FWWFM
	M8 Ring Bolts Zinc plated steel — For use with optional safety chain (not provided)	FERBM8Z
Retrofit Brackets — Set of Two	Adapts mounting holes for 4 foot fixture to 700 mm mounting centers	LLEDRB
Fall Prevention Kit	Safety Cables — Attached to fixtures to guard against them falling when the primary method of attachment fails.	LLEDSC
Replacement Drivers	120-277 Vac driver	LLEDBU2
Replacement Lenses	Clear Polycarbonate lens with an integral gasket	LLEDGPL

① FWWFM does not retrofit in same mounting footprint as Appleton's FNIFE series.

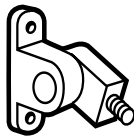
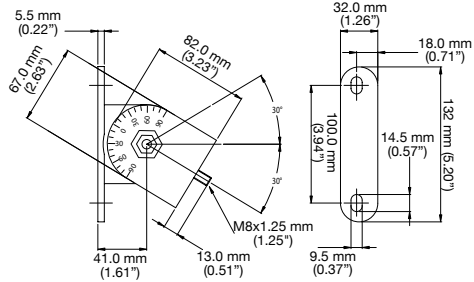
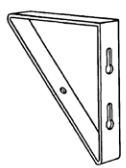
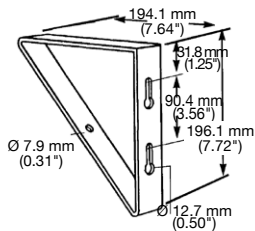
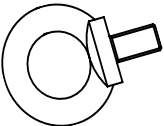
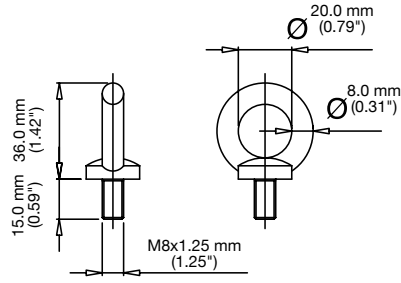
Viamaster™ LED Series Emergency Battery Backup Luminaires

For NEC and CEC Hazardous Locations

NEC/CEC:
 Class I, Division 2, Groups A, B, C, D
 Class I, Zone 2, Group IIC
 Class II, Division 2, Groups F, G
 Class III
 Type 3R, 4, 4X

NEC/CEC:
 Marine Outside Type- For USA Only
 ⚡
 IP66/67

Accessories and Replacement Parts

	Description	Catalog Numbers
Mounting Brackets — Set of Two		
 	Hinged Brackets for Adjusting Luminaire Aluminum	FEHBA
 	Fixed 45° Wall Mount 11-gauge (1/8") stainless steel	FVWFM
 	M8 Ring Bolts ① Zinc plated steel — For use with optional safety chain (not provided) Not for use with Marine Listing	FERBM8Z
Safety Cables — Set of Two		
	Safety Cables — Attached to fixtures to guard against them falling when the primary method of attachment fails.	LLEDSC
Replacement Drivers		
	120-277 Vac driver	LLEDBU2
Replacement Lenses		
	Clear Polycarbonate lens with an integral gasket	LLEDGPL
	Diffused lens with an integral gasket	LLEDDPL
Replacement Battery Management Module		
		BMMLED
Replacement Battery Pack		
		BPLLED

① Not for use in Marine applications.

⚡ Fusing option not available with Marine Outside Type (Salt Water) rating. Fusing option not permitted for cUL.