

Lamb®
6.6" Bypass Tangential Vacuum Motors - High Seal

Model: 122747-27

MECHANICAL

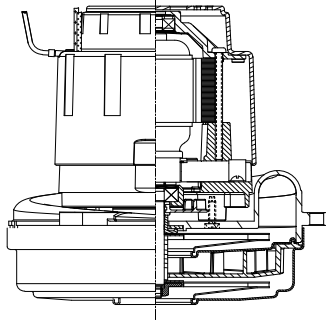
DIAMETER: 6.6" (162mm)
DISCHARGE TYPE: Bypass
DISCHARGE: "True" Tangential

PERFORMANCE

STAGES: 2
SPEED: Single

DESIGN APPLICATIONS

Central vac cleaning systems
Car wash vac and blower systems
Equipment requiring separation of working air
& motor ventilating air



ELECTRICAL

OPERATING INPUT VOLTAGE: 120 volts AC

FEATURES

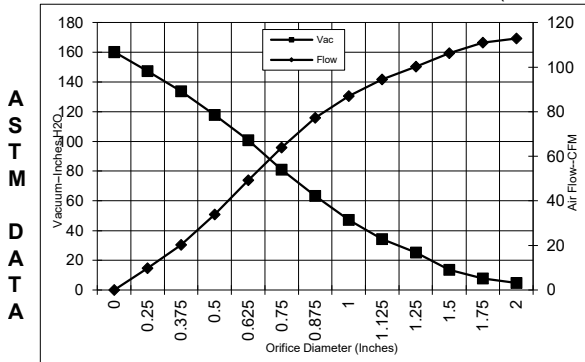
160" Sealed Suction
Under 15 Amps
High Efficiency "Galaxy" Lamination
Double Ball Bearings; 10 mm output
Improved Sound Quality
High Efficiency Performance
1000+ Hours Life
Metal Motor Bracket

REGULATORY CERTIFICATIONS

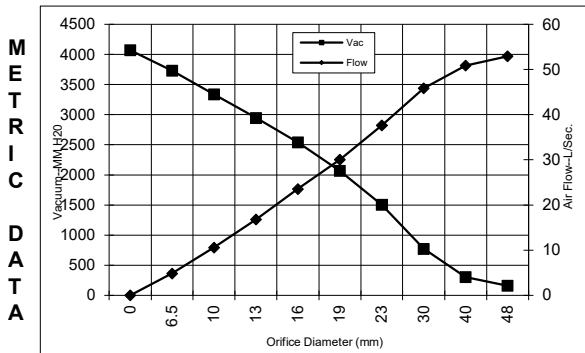
cRUUS recognized, category PRGY2/8 (E47185)
Class B (E56617)

TYPICAL MOTOR PERFORMANCE.*

(At 120 volts, 60Hz, test data is corrected to standard conditions of 29.92 Hg, 68° F.)



Orifice (Inches)	Amps	Watts (In)	RPM	Vac (In.H ₂ O)	Flow (CFM)	Air Watts
2.000	14.6	1671	25925	4.7	112.9	62
1.750	14.6	1675	25876	7.8	111.1	102
1.500	14.7	1685	25847	13.7	106.3	171
1.250	14.8	1698	25759	25.2	100.2	297
1.125	14.8	1701	25686	34.4	94.5	382
1.000	14.9	1705	25626	47.2	87.0	482
0.875	14.9	1707	25606	63.3	77.2	573
0.750	14.8	1693	25714	81.0	63.9	607
0.625	14.4	1648	26124	100.9	49.3	584
0.500	13.3	1536	27021	117.7	34.0	470
0.375	12.0	1393	28373	133.8	20.3	319
0.250	10.6	1233	30019	147.5	9.7	168
0.000	9.4	1099	31695	160.2	0.0	0



Orifice (mm)	Amps	Watts (In)	RPM	Vac (mm H ₂ O)	Flow (L/Sec)	Air Watts
48.0	14.6	1673	25903	154	52.9	80
40.0	14.7	1682	25856	303	50.9	150
30.0	14.8	1700	25719	769	45.8	343
23.0	14.9	1706	25611	1505	37.6	550
19.0	14.8	1693	25722	2067	30.0	606
16.0	14.4	1650	26108	2542	23.5	585
13.0	13.4	1547	26931	2947	16.8	481
10.0	12.2	1415	28170	3338	10.5	341
6.5	10.6	1241	29937	3729	4.8	176
0.0	9.4	1099	31695	4069	0.0	0

Note: Metric Performance data is calculated from the ASTM data above.

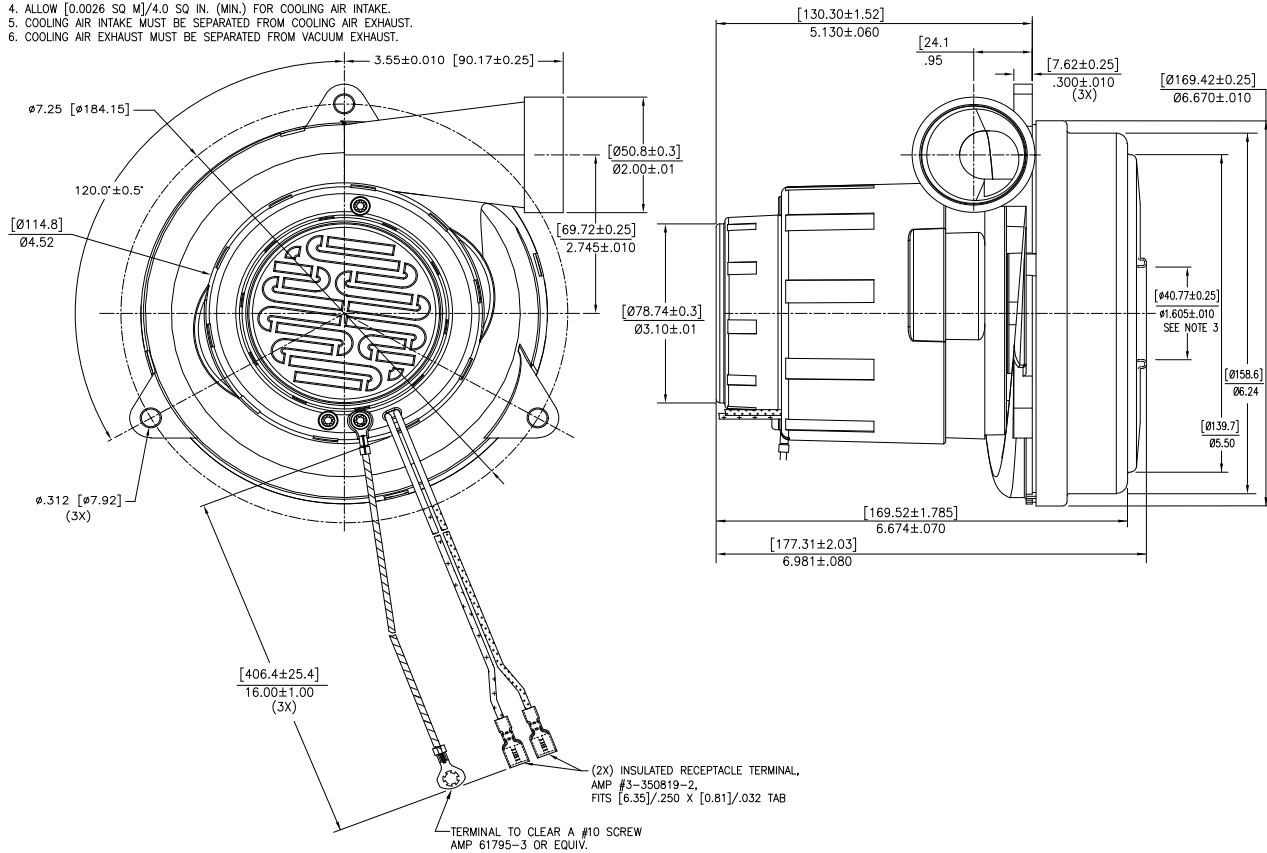
* Data represents performance of a typical motor sampled from a large production quantity. Individual motor data may vary due to normal manufacturing variations.

Test Specs:	120-Volts	Minimum Sealed Vacuum:	157.0	ORIFICE:	7/8"	Min. Vacuum:	57.0	Maximum Watts:	1750
--------------------	-----------	-------------------------------	-------	-----------------	------	---------------------	------	-----------------------	------

Lamb® | Nautilair® | Prestolite Motors | ROTRON® | Windjammer®

NOTES:

1. LEADS: 18GA. STRANDED, POWER LEADS BLACK AND WHITE. GROUNDING LEAD GREEN OR GREEN WITH YELLOW STRIPE.
2. MOTOR IDENTIFICATION: MANUFACTURER'S NAME, MODEL NUMBER, VOLTAGE, FREQUENCY, INSPECTORS CODE WITH "FF" SUFFIX, DATE OF MANUFACTURE, AGENCY RECOGNITION CODE, PLANT LOCATION CODE, PATENT PENDING" AND COUNTRY OF ORIGIN.
3. MOUNTING MUST NOT RESTRICT THIS DIAMETER.
4. ALLOW [0.0028 SO M]/[4.0 SO IN. (MIN.)] FOR COOLING AIR INTAKE.
5. COOLING AIR INTAKE MUST BE SEPARATED FROM COOLING AIR EXHAUST.
6. COOLING AIR EXHAUST MUST BE SEPARATED FROM VACUUM EXHAUST.



IMPORTANT NOTE: Pictorial and dimensional data are subject to change without notice. Contact factory for current revision levels.

WARNING - When using AMETEK /Lamb Electric bypass motors in machines that come in contact with foam, liquid (including water), or other foreign substances, the machine must be designed and constructed to prevent those substances from reaching the fan system, motor housing, and electrical components. Lamb vacuum motors other than hazardous duty models should not be applied in machines that come in contact with dry chemicals or other volatile materials. Failure to observe these precautions could cause flashing (depending on volatility) or electrical shock which could result in property damage and severe bodily injury, including death in extreme cases. All applications incorporating AMETEK Lamb motors should be submitted to appropriate organizations or agencies for testing specifically related to the safety of your equipment.

AMETEK Dynamic Fluid Solutions
 100 East Erie St. Suite 200
 Kent, OH USA 44240
AMETEKDFS.com