

Lamb®
5.7" Thru-Flow Vacuum Motors

Model: 122655-00

MECHANICAL

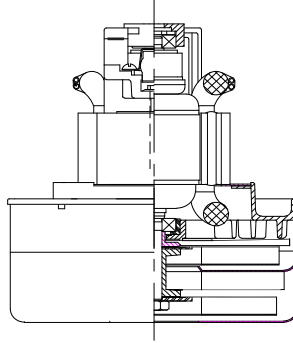
DIAMETER: 5.7" (145mm)
DISCHARGE TYPE: Thru-flow
DISCHARGE: Thru-flow

PERFORMANCE

STAGES: 2
SPEED: Single

DESIGN APPLICATIONS

- Equipment operating in environments not requiring separation of working air from motor ventilating air
- Designed to handle clean, dry, filtered air only



ELECTRICAL

OPERATING INPUT VOLTAGE: 230 volts AC

FEATURES

- Provision for grounding
- Skeleton-frame construction
- Aluminum commutator bracket
- Aluminum fan end bracket
- High air flow fan system
- The Lamb Electric vacuum motor line offers a wide range of performance levels to meet design needs

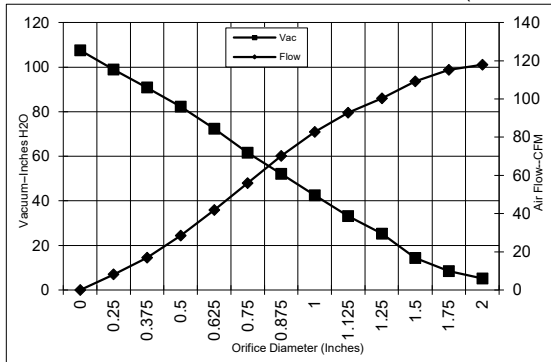
REGULATORY CERTIFICATIONS

-cRUus Thermally Protected-Locked Rotor XERW2/8 (E27701)

TYPICAL MOTOR PERFORMANCE.*

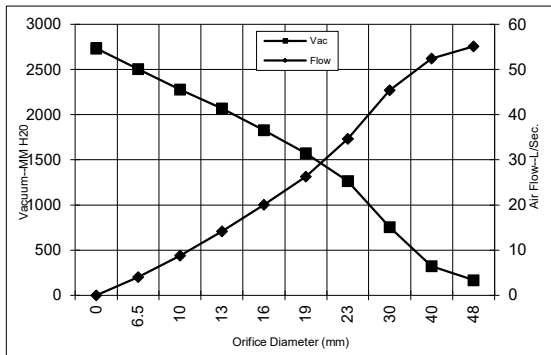
(At 230 volts, 60Hz, test data is corrected to standard conditions of 29.92 Hg, 68° F.)

ASTM DATA



Orifice (Inches)	Amps	Watts (In)	RPM	Vac (In.H2O)	Flow (CFM)	Air Watts
2.000	6.1	1338	19521	5.1	118.0	71
1.750	6.1	1334	19511	8.5	115.3	114
1.500	6.1	1334	19525	14.4	109.2	185
1.250	6.1	1332	19565	25.3	100.4	298
1.125	6.0	1318	19632	33.2	92.8	361
1.000	5.9	1298	19808	42.5	82.7	412
0.875	5.7	1247	20185	52.1	70.2	429
0.750	5.4	1186	20773	61.7	55.9	405
0.625	5.0	1101	21594	72.3	41.9	356
0.500	4.6	1011	22608	82.4	28.5	276
0.375	4.2	929	23697	90.9	16.9	180
0.250	3.8	854	24877	99.0	8.1	94
0.000	3.5	794	25989	107.6	0.0	0

METRIC DATA



Orifice (mm)	Amps	Watts (In)	RPM	Vac (mm H2O)	Flow (L/Sec)	Air Watts
48.0	6.1	1336	19516	168	55.1	90
40.0	6.1	1334	19520	321	52.4	164
30.0	6.1	1324	19602	752	45.4	333
23.0	5.8	1260	20090	1263	34.6	425
19.0	5.4	1184	20790	1572	26.3	404
16.0	5.0	1104	21561	1827	20.1	358
13.0	4.6	1020	22507	2067	14.1	284
10.0	4.2	941	23534	2276	8.8	195
6.5	3.8	857	24818	2504	4.0	99
0.0	3.5	794	25989	2733	0.0	0

Note: Metric Performance data is calculated from the ASTM data above.

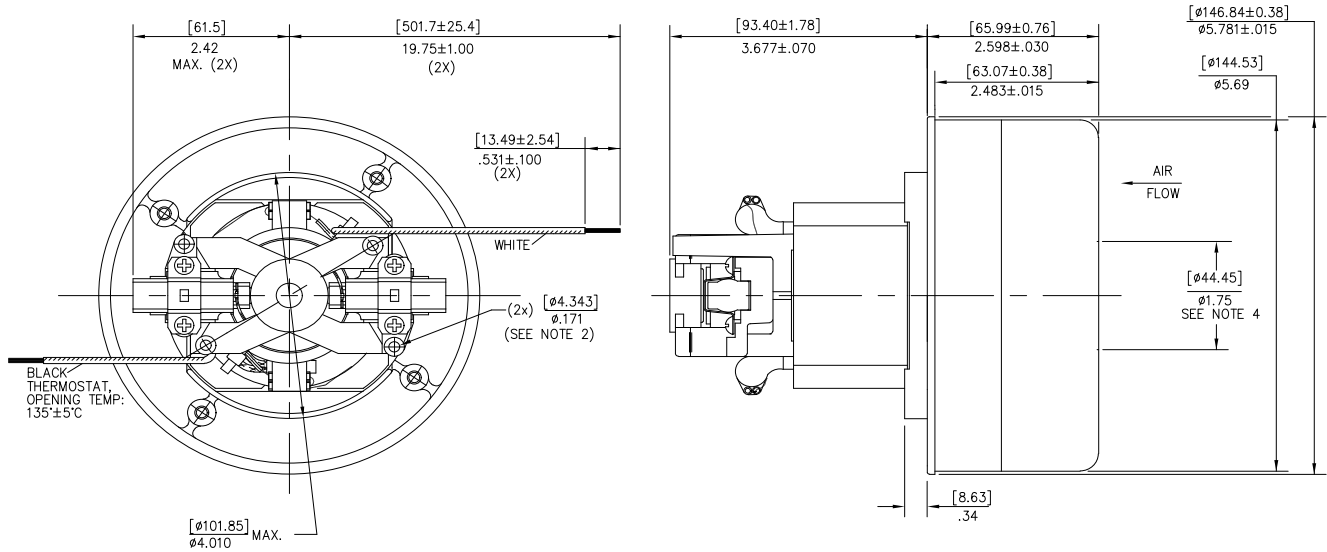
* Data represents performance of a typical motor sampled from a large production quantity. Individual motor data may vary due to normal manufacturing variations.

Test Specs:	230-Volts	Minimum Sealed Vacuum:	97.0	ORIFICE:	7/8"	Min. Vacuum:	50.0	Maximum Watts:	1325
--------------------	-----------	-------------------------------	------	-----------------	------	---------------------	------	-----------------------	------

Lamb® | Nautilair® | Prestolite Motors | ROTRON® | Windjammer®

NOTES:

1. LEADS: 18GA STRANDED, LEADS CAN BE ANY COLOR EXCEPT GREEN OR GREEN WITH YELLOW STRIPE.
2. GROUNDING OR EARTHING PROVISIONS: USE HOLES AS INDICATED FOR GROUNDING OR EARTHING.
REFER TO APPROPRIATE LISTING OR REGULATORY AGENCY FOR PROPER METHOD OF GROUNDING OR EARTHING.
3. MOTOR IDENTIFICATION: MANUFACTURER'S NAME, MODEL NUMBER, VOLTAGE, FREQUENCY, INSPECTORS CODE, DATE OF MANUFACTURE, AGENCY RECOGNITION CODE, PLANT LOCATION CODE AND COUNTRY OF ORIGIN.
4. MOUNTING MUST NOT RESTRICT THIS DIAMETER.



IMPORTANT NOTE: Pictorial and dimensional data are subject to change without notice. Contact factory for current revision levels.

WARNING - When using AMETEK /Lamb Electric bypass motors in machines that come in contact with foam, liquid (including water), or other foreign substances, the machine must be designed and constructed to prevent those substances from reaching the fan system, motor housing, and electrical components. Lamb vacuum motors other than hazardous duty models should not be applied in machines that come in contact with dry chemicals or other volatile materials. Failure to observe these precautions could cause flashing (depending on volatility) or electrical shock which could result in property damage and severe bodily injury, including death in extreme cases. All applications incorporating AMETEK Lamb motors should be submitted to appropriate organizations or agencies for testing specifically related to the safety of your equipment.

AMETEK Dynamic Fluid Solutions
 100 East Erie St. Suite 200
 Kent, OH USA 44240
AMETEKDFS.com