



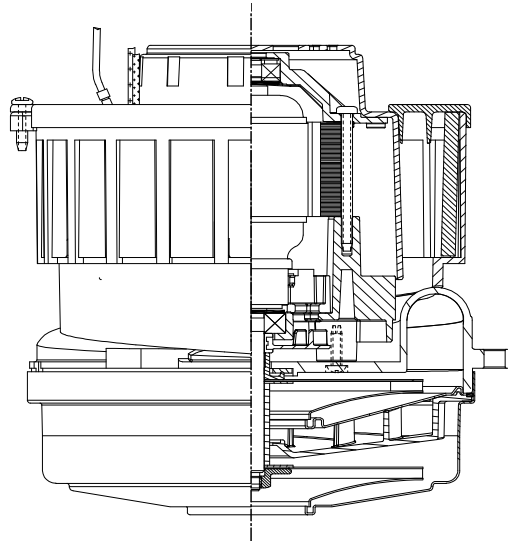
**Model: 122642-07**

**SPECIAL FEATURES**

- 1500+ Hours life (Eternity Brush)
- High Efficiency Motor/Fan
- Improved Cooling System
- Enhanced II Bearing Protection
- Thermostat
- CAN & US UL recognition marked cRUus
- Categories PRGY2/PRGY8
- File #s E47185 & E56617 (Class B)
- Noise & Carbon Dust Filter Housing Included
- 07 version with terminals on leads

**DESCRIPTION**

- 120 volts AC
- Two-stage tapered fan
- 6.6" / 162 mm diameter
- Improved sound quality
- "True" tangential discharge bracket
- Cast Al Motor Brackets
- High-Efficiency "Galaxy" lamination



**DESIGN APPLICATION**

- Commercial and Residential Central Cleaning Systems
- Equipment requires separation of working air from motor ventilating air
- Designed to handle clean, dry, filtered air only

**PEAK AIRWATTS**

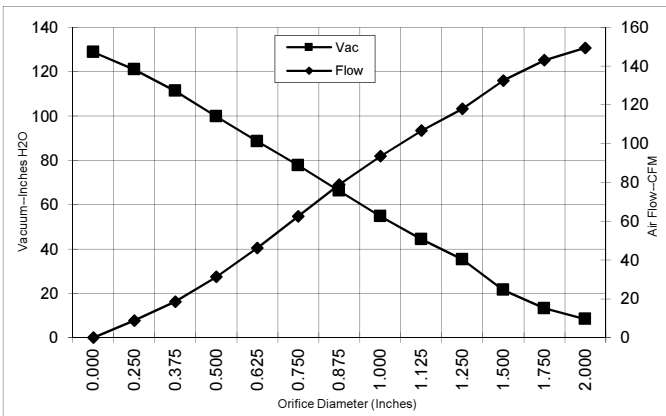
**614**

Calculated in accordance with ASTM F2105

**TYPICAL MOTOR PERFORMANCE.\***

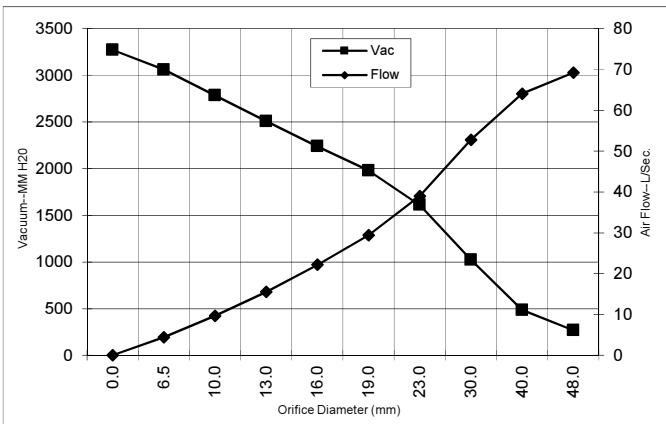
(At 120 volts, 60Hz, test data is corrected to standard conditions of 29.92 Hg, 68° F.)

**ASTM DATA**



Orifice (Inches)	Amps	Watts (In)	RPM	Vac (In.H <sub>2</sub> O)	Flow (CFM)	Air Watts
2.000	15.9	1750	19049	8.4	149.4	147
1.750	15.8	1741	19033	13.2	143.1	222
1.500	15.6	1718	19012	21.5	132.6	335
1.250	15.5	1696	19193	35.3	118.0	489
1.125	15.2	1670	19406	44.4	106.8	556
1.000	14.8	1628	19639	54.8	93.6	602
0.875	14.2	1560	20092	66.3	78.9	614
0.750	13.4	1475	20769	77.7	62.6	571
0.625	12.3	1364	21680	88.6	46.3	481
0.500	11.0	1224	22948	99.8	31.3	367
0.375	9.7	1093	24277	111.3	18.6	243
0.250	8.7	979	25619	121.0	8.9	126
0.000	8.0	911	26829	128.8	0.0	0

**METRIC DATA**



Orifice (mm)	Amps	Watts (In)	RPM	Vac (mm H <sub>2</sub> O)	Flow (L/Sec)	Air Watts
48.0	15.9	1746	19042	267	69.2	180
40.0	15.7	1725	19018	484	64.1	301
30.0	15.3	1682	19310	1024	52.8	526
23.0	14.3	1577	19978	1611	39.0	611
19.0	13.4	1473	20787	1979	29.4	569
16.0	12.4	1369	21643	2239	22.1	485
13.0	11.1	1238	22821	2507	15.5	379
10.0	9.9	1112	24077	2784	9.7	262
6.5	8.7	985	25551	3060	4.4	132
0.0	8.0	911	26829	3272	0.0	0

Note: Metric Performance data is calculated from the ASTM data above.

\* Data represents performance of a typical motor sampled from a large production quantity. Individual motor data may vary due to normal manufacturing variations.

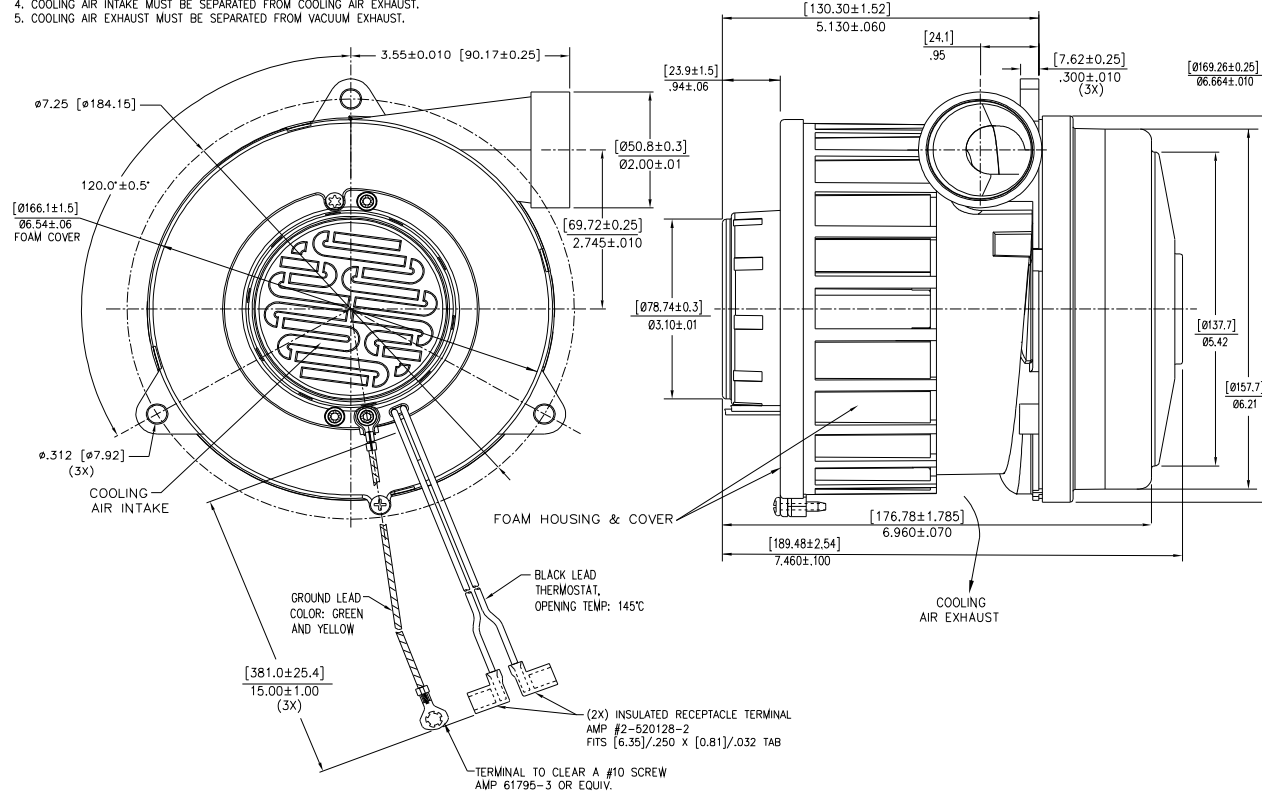
Test Specs: 120 Volts	Minimum Sealed Vacuum: 122"	ORIFICE: 7/8"	Min. Vacuum: 80"	Maximum Watts: 1700
-----------------------	-----------------------------	---------------	------------------	---------------------

**DIMENSIONS**



**NOTES:**

1. LEADS: 18GA. STRANDED, POWER LEADS BLACK AND WHITE, GROUNDING LEAD GREEN OR GREEN WITH YELLOW STRIPE.
2. MOTOR IDENTIFICATION: MANUFACTURER'S NAME, MODEL NUMBER, VOLTAGE, FREQUENCY, INSPECTOR'S CODE WITH "FF" SUFFIX, DATE OF MANUFACTURE, AGENCY RECOGNITION CODE, PLANT LOCATION CODE, PATENT PENDING\* AND COUNTRY OF ORIGIN.
3. ALLOW [0.0026 SQ. IN.] / 4.0 SQ. IN. (MIN.) FOR COOLING AIR INTAKE.
4. COOLING AIR INTAKE MUST BE SEPARATED FROM COOLING AIR EXHAUST.
5. COOLING AIR EXHAUST MUST BE SEPARATED FROM VACUUM EXHAUST.



**IMPORTANT NOTE:** Pictorial and dimensional data are subject to change without notice. Contact factory for current revision levels.

**WARNING** - When using AMETEK Floorcare & Specialty Motors (F&SM) bypass motors in machines that come in contact with foam, liquid (including water), or other foreign substances, the machine must be designed and constructed to prevent those substances from reaching the fan system, motor housing, and electrical components. F&SM vacuum motors other than hazardous duty models should not be applied in machines that come in contact with dry chemicals or other volatile materials. Failure to observe these precautions could cause flashing (depending on volatility) or electrical shock which could result in property damage and severe bodily injury, including death in extreme cases. All applications incorporating F&SM motors should be submitted to appropriate organizations or agencies for testing specifically related to the safety of your equipment.

**AMETEK Dynamic Fluid Solutions**  
[www.ametekdfs.com](http://www.ametekdfs.com)