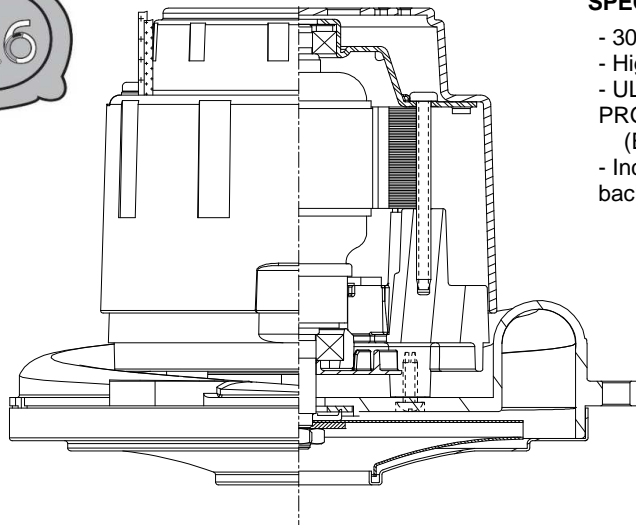




Model: **122636-00**

**DESCRIPTION**

- 12 volts DC
- Single stage tapered fan
- 6.6" / 162 mm diameter
- Improved sound quality
- "True" tangential discharge bracket
- High-Efficiency "Galaxy" lamination
- Double ball bearings; 10mm output



**SPECIAL FEATURES**

- 3000+ hours life
- High Efficiency Fan and Motor
- UL and cUL recognized, category PRGY2 (E47185).
- Includes Steel Rotating fans for backpressure applications

**DESIGN APPLICATION**

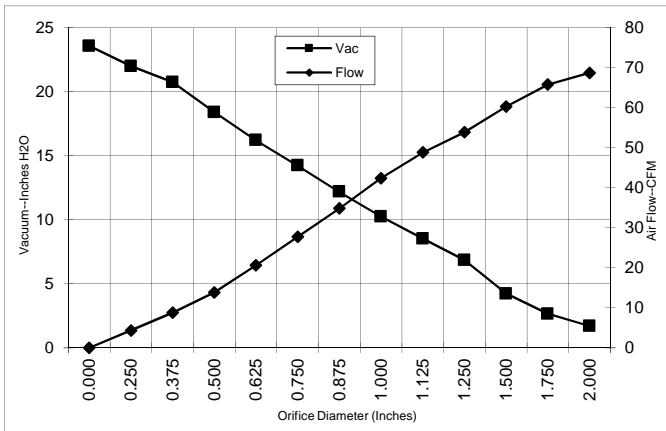
- Equipment operating in environments requiring separation of working air from motor ventilating air
- Designed to handle clean, dry, filtered air only

**Preliminary Data Subject to Change**

**TYPICAL MOTOR PERFORMANCE.\***

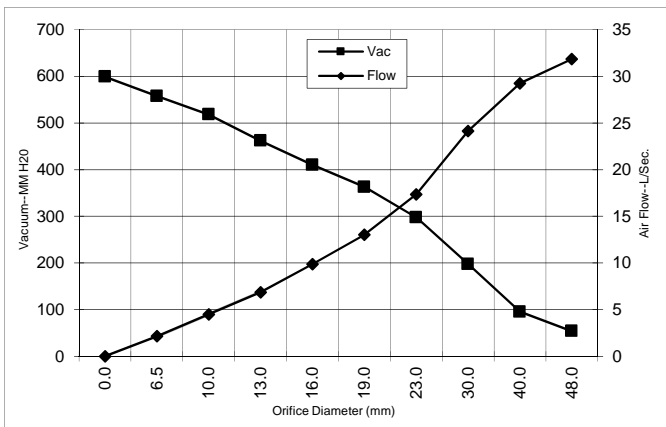
(At 12 VDC, test data is corrected to standard conditions of 29.92 Hg, 68° F.)

ASTM DATA



Orifice (Inches)	Amps	Watts (In)	RPM	Vac (In.H2O)	Flow (CFM)	Air Watts
2.000	19.3	232	10444	1.7	68.7	14
1.750	19.4	234	10391	2.7	65.8	21
1.500	19.4	233	10492	4.2	60.3	30
1.250	19.1	230	10676	6.8	53.9	43
1.125	19.0	228	10751	8.5	48.8	49
1.000	18.8	227	10865	10.3	42.4	51
0.875	18.5	223	11146	12.2	34.8	50
0.750	18.1	219	11514	14.2	27.7	46
0.625	17.6	213	12070	16.2	20.6	39
0.500	17.0	206	12571	18.4	13.9	30
0.375	16.2	197	13336	20.7	8.8	21
0.250	15.7	191	13946	22.0	4.3	11
0.000	15.4	187	14205	23.6	0.0	0

METRIC DATA



Orifice (mm)	Amps	Watts (In)	RPM	Vac (mm H2O)	Flow (L/Sec)	Air Watts
48.0	19.4	233	10421	54	31.8	17
40.0	19.4	233	10461	95	29.2	27
30.0	19.1	229	10718	197	24.1	46
23.0	18.6	224	11076	297	17.3	50
19.0	18.1	219	11525	363	13.0	46
16.0	17.6	213	12047	410	9.9	40
13.0	17.0	206	12521	462	6.9	31
10.0	16.3	198	13221	518	4.5	23
6.5	15.7	191	13916	557	2.1	12
0.0	15.4	187	14205	599	0.0	0

Note: Metric Performance data is calculated from the ASTM data above.

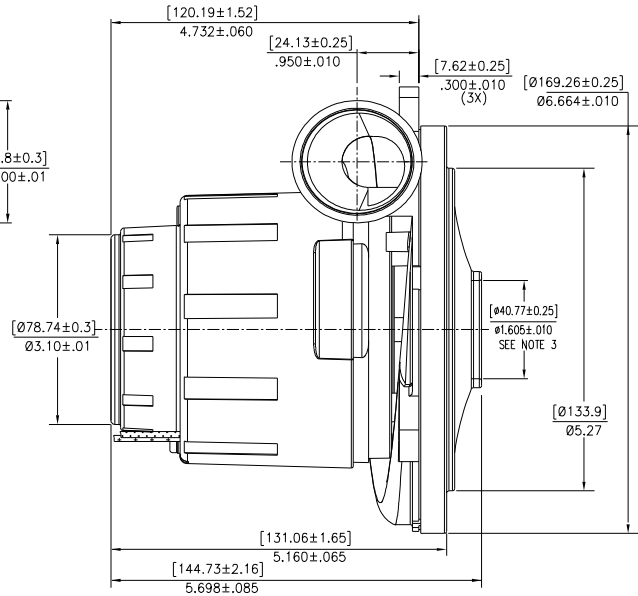
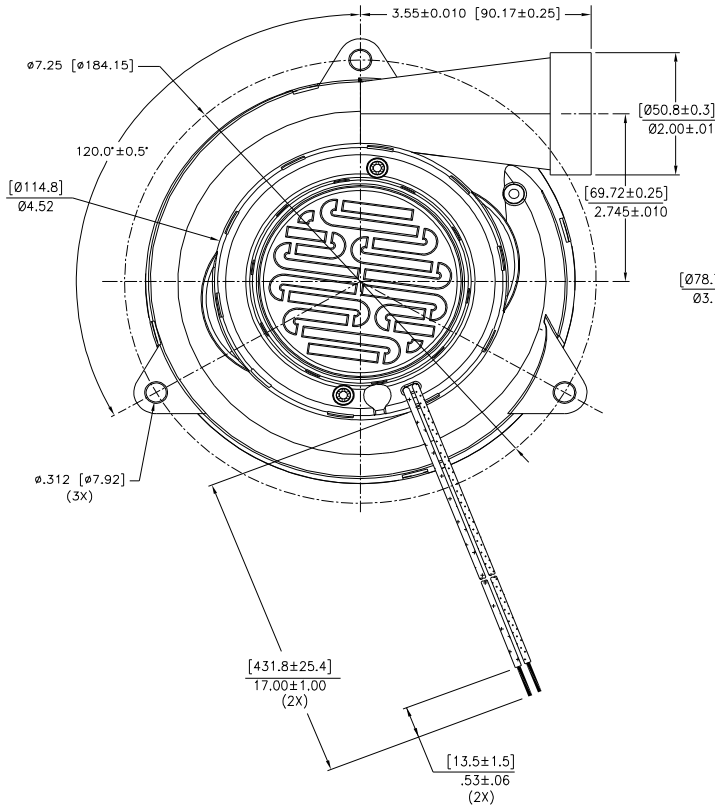
\* Data represents performance of a typical motor sampled from a large production quantity. Individual motor data may vary due to normal manufacturing variations.

Test Specs:	12	Minimum Sealed Vacuum:	21"	ORIFICE:	0.875	Minimum Vacuum:	10.5"	Maximum Watts:	278
-------------	----	------------------------	-----	----------	-------	-----------------	-------	----------------	-----

**DIMENSIONS**

**NOTES:**

1. LEADS: 18GA, STRANDED, POWER LEADS BLACK AND RED.
2. MOTOR IDENTIFICATION: MANUFACTURER'S NAME, MODEL NUMBER, VOLTAGE, FREQUENCY, INSPECTORS CODE WITH "FF" SUFFIX, DATE OF MANUFACTURE, AGENCY RECOGNITION CODE, PLANT LOCATION CODE, PATENT PENDING" AND COUNTRY OF ORIGIN.
3. MOUNTING MUST NOT RESTRICT THIS DIAMETER.
4. ALLOW [0.0026 SQ M]/4.0 SQ IN. (MIN.) FOR COOLING AIR INTAKE.
5. COOLING AIR INTAKE MUST BE SEPARATED FROM COOLING AIR EXHAUST.
6. COOLING AIR EXHAUST MUST BE SEPARATED FROM VACUUM EXHAUST.



**IMPORTANT NOTE:** Pictorial and dimensional data are subject to change without notice. Contact factory for current revision levels.

**WARNING** - When using AMETEK Floorcare & Specialty Motors (F&SM) bypass motors in machines that come in contact with foam, liquid (including water), or other foreign substances, the machine must be designed and constructed to prevent those substances from reaching the fan system, motor housing, and electrical components. F&SM vacuum motors other than hazardous duty models should not be applied in machines that come in contact with dry chemicals or other volatile materials. Failure to observe these precautions could cause flashing (depending on volatility) or electrical shock which could result in property damage and severe bodily injury, including death in extreme cases. All applications incorporating F&SM motors should be submitted to appropriate organizations or agencies for testing specifically related to the safety of your equipment.

**AMETEK/Floorcare & Specialty Motors**  
**www.ametekfsm.com**