



Floorcare & Specialty Motors

Model: 122580-00

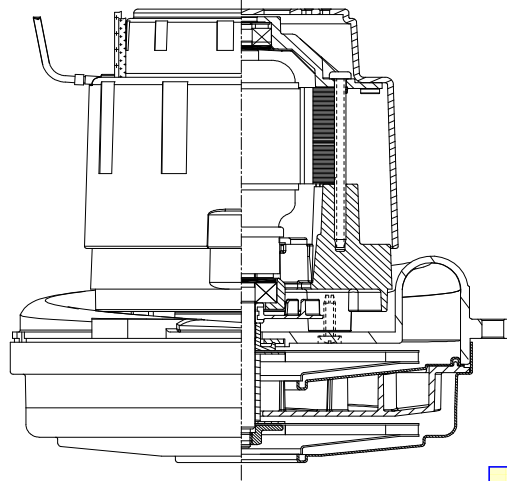


DESCRIPTION

- 230 volts AC
- Two-stage tapered fan
- 6.6" / 162 mm diameter
- Improved sound quality
- "True" tangential discharge bracket
- High-Efficiency "Galaxy" lamination
- Double ball bearings; 10mm output

DESIGN APPLICATION

- Commercial and Residential Central Cleaning Systems
- Car wash vac and blower systems
- Equipment operating in environments requiring separation of working air from motor ventilating air
- Designed to handle clean, dry, filtered air only



SPECIAL FEATURES

- 1000+ hours life (curved brush)
- Up to 43% Overall Efficiency
- High efficient cooling system
- Lamb "Green Power Label"
- UL & cUL recognized, category PRGY2 (E47185)

PEAK AIRWATTS

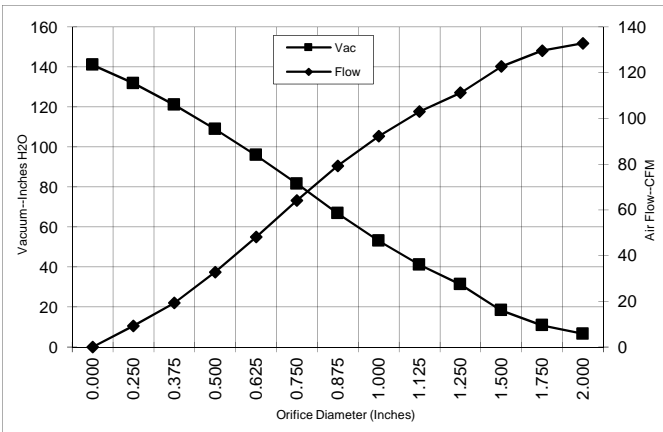
626

Calculated in accordance with ASTM F2105

TYPICAL MOTOR PERFORMANCE.\*

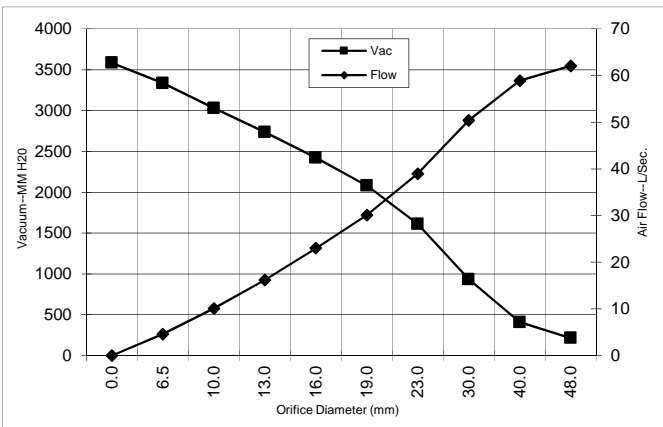
(At 230 volts, 60Hz, test data is corrected to standard conditions of 29.92 Hg, 68° F.)

ASTM DATA



Orifice (Inches)	Amps	Watts (In)	RPM	Vac (In.H <sub>2</sub> O)	Flow (CFM)	Air Watts
2.000	6.8	1481	22535	6.6	132.8	102
1.750	6.8	1478	22450	10.8	129.6	164
1.500	6.9	1489	22373	18.4	122.7	264
1.250	7.0	1508	22245	31.3	111.2	408
1.125	7.0	1516	22230	41.2	103.0	498
1.000	7.0	1515	22254	53.1	92.2	575
0.875	6.9	1492	22414	66.8	79.2	621
0.750	6.7	1443	22722	81.6	64.1	614
0.625	6.3	1365	23365	95.9	48.1	541
0.500	5.7	1256	24378	109.0	32.7	418
0.375	5.1	1114	25788	121.0	19.3	275
0.250	4.5	999	27245	131.8	9.2	143
0.000	4.0	905	28795	141.0	0.0	0

METRIC DATA



Orifice (mm)	Amps	Watts (In)	RPM	Vac (mm H <sub>2</sub> O)	Flow (L/Sec)	Air Watts
48.0	6.8	1480	22498	214	62.0	130
40.0	6.9	1485	22396	409	58.9	234
30.0	7.0	1512	22236	933	50.4	457
23.0	6.9	1498	22374	1610	38.9	610
19.0	6.7	1442	22735	2079	30.1	612
16.0	6.3	1368	23339	2421	23.0	544
13.0	5.8	1267	24276	2734	16.2	431
10.0	5.2	1135	25576	3028	10.1	296
6.5	4.5	1005	27172	3333	4.6	149
0.0	4.0	905	28795	3581	0.0	0

Note: Metric Performance data is calculated from the ASTM data above.

\* Data represents performance of a typical motor sampled from a large production quantity. Individual motor data may vary due to normal manufacturing variations.

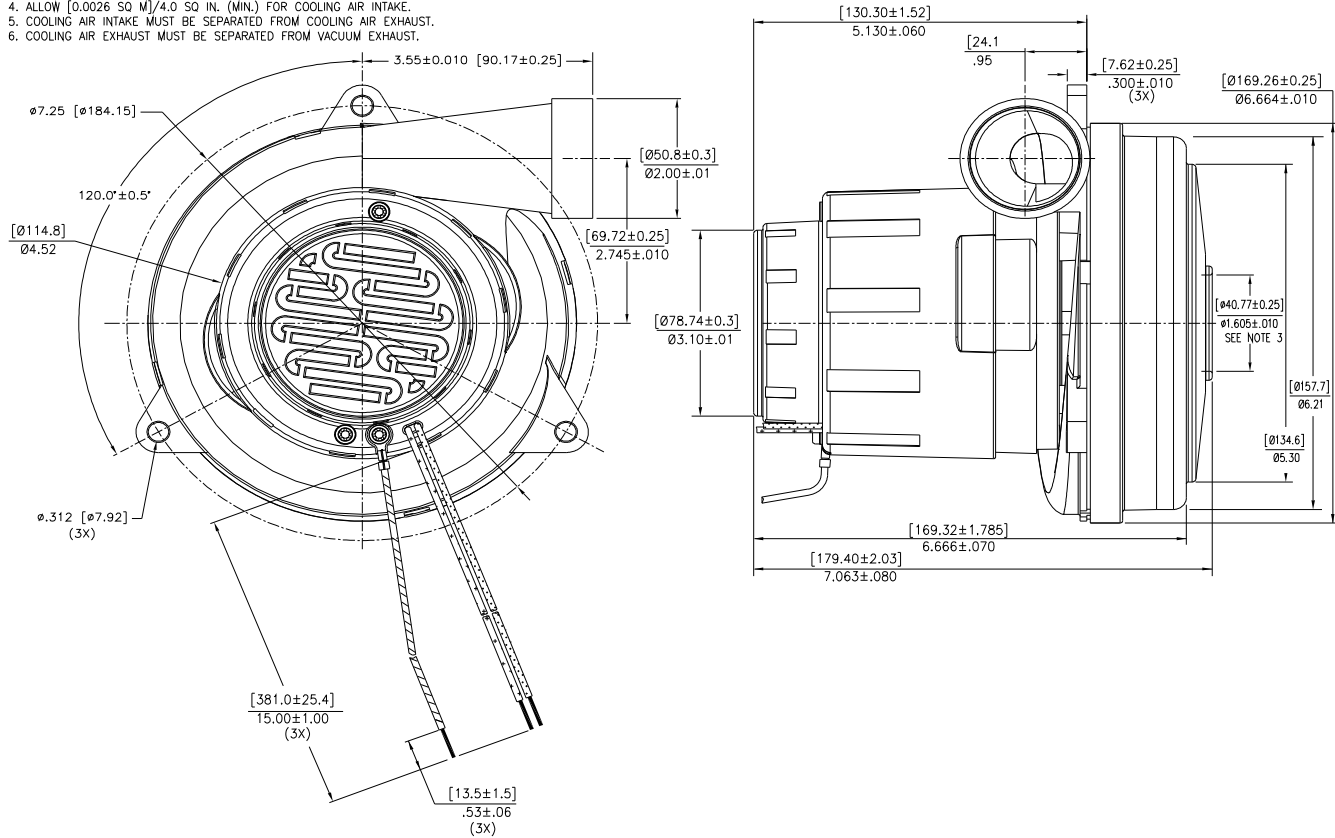
Test Specs:	230-Volts	Minimum Sealed Vacuum:	130"	ORIFICE:	7/8"	Min. Vacuum:	62"	Maximum Watts:	1640
-------------	-----------	------------------------	------	----------	------	--------------	-----	----------------	------

**DIMENSIONS**



**NOTES:**

1. LEADS: 18GA. STRANDED, POWER LEADS BLACK AND WHITE, GROUNDING LEAD GREEN OR GREEN WITH YELLOW STRIPE.
2. MOTOR IDENTIFICATION: MANUFACTURER'S NAME, MODEL NUMBER, VOLTAGE, FREQUENCY, INSPECTORS CODE WITH "FF" SUFFIX, DATE OF MANUFACTURE, AGENCY RECOGNITION CODE, PLANT LOCATION CODE, PATENT PENDING\* AND COUNTRY OF ORIGIN.
3. MOUNTING MUST NOT RESTRICT THIS DIAMETER.
4. ALLOW [0.0026 SQ M]/4.0 SQ IN. (MIN.) FOR COOLING AIR INTAKE.
5. COOLING AIR INTAKE MUST BE SEPARATED FROM COOLING AIR EXHAUST.
6. COOLING AIR EXHAUST MUST BE SEPARATED FROM VACUUM EXHAUST.



**IMPORTANT NOTE:** *Pictorial and dimensional data are subject to change without notice. Contact factory for current revision levels.*

**WARNING** - When using AMETEK Floorcare & Specialty Motors (F&SM) bypass motors in machines that come in contact with foam, liquid (including water), or other foreign substances, the machine must be designed and constructed to prevent those substances from reaching the fan system, motor housing, and electrical components. F&SM vacuum motors other than hazardous duty models should not be applied in machines that come in contact with dry chemicals or other volatile materials. Failure to observe these precautions could cause flashing (depending on volatility) or electrical shock which could result in property damage and severe bodily injury, including death in extreme cases. All applications incorporating F&SM motors should be submitted to appropriate organizations or agencies for testing specifically related to the safety of your equipment.

**AMETEK/Floorcare & Specialty Motors**  
**[www.ametekfsm.com](http://www.ametekfsm.com)**

Issued: September 2016