



Lamb Electric

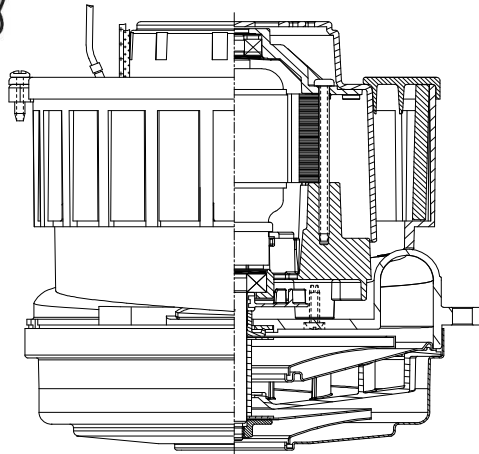
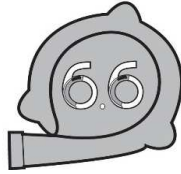
Model: 122404-33

SPECIAL FEATURES

- 1500+ hours design life
- Eternity Carbon Brush
- 646 Peak Air Watts
- Up to 41% Overall Efficiency
- High efficient cooling system
- Lamb "Green Power Label"
- Sound Insulation Foam
- Cooling Air Filtration Foam
- UL recognized, category PRGY2 (E47185)
- Certified to CSA standards by UL
- "Enhanced" bearing protection for wet applications

DESCRIPTION

- 120 volts AC
- Two-stage tapered fan
- 6.6" / 162 mm diameter
- Improved sound quality
- "True" tangential discharge bracket
- High-Efficiency "Galaxy" lamination
- Double ball bearings; 10mm output



DESIGN APPLICATION

- Commercial and Residential Central Cleaning Systems
- Car wash vac and blower systems
- Equipment operating in environments requiring separation of working air from motor ventilating air
- Designed to handle clean, dry, filtered air only

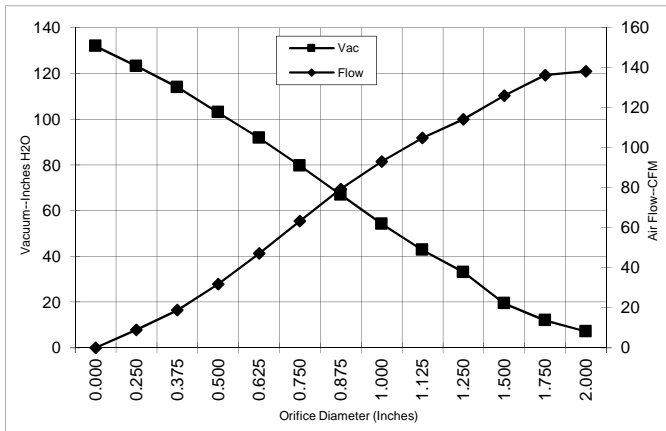
PEAK AIRWATTS
625

Calculated in accordance with ASTM F2105

TYPICAL MOTOR PERFORMANCE.*

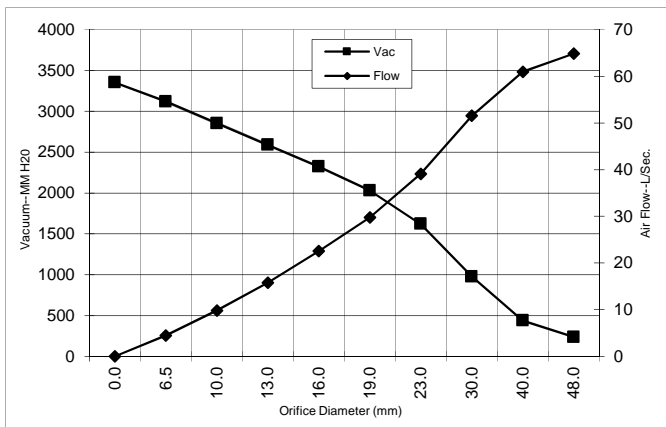
(At 120 volts, 60Hz, test data is corrected to standard conditions of 29.92 Hg, 68° F.)

ASTM DATA



Orifice (Inches)	Amps	Watts (In)	RPM	Vac (In.H2O)	Flow (CFM)	Air Watts
2.000	13.3	1516	23156	7.1	138.2	116
1.750	13.3	1520	23148	12.0	136.2	191
1.500	13.3	1515	23106	19.4	126.0	287
1.250	13.3	1514	23074	33.1	114.3	443
1.125	13.4	1521	23028	42.8	104.9	527
1.000	13.3	1517	23018	54.2	93.1	592
0.875	13.1	1494	23155	66.9	79.3	623
0.750	12.6	1435	23510	79.7	63.4	593
0.625	11.7	1335	24206	91.9	47.1	508
0.500	10.6	1212	25317	103.0	31.8	385
0.375	9.3	1072	26721	114.0	18.8	251
0.250	8.2	958	28075	123.2	9.0	130
0.000	7.5	874	29402	131.9	0.0	0

METRIC DATA



Orifice (mm)	Amps	Watts (In)	RPM	Vac (mm H2O)	Flow (L/Sec)	Air Watts
48.0	13.3	1518	23153	235	64.8	149
40.0	13.3	1517	23118	436	60.9	258
30.0	13.3	1518	23049	976	51.5	489
23.0	13.2	1500	23121	1619	39.1	615
19.0	12.6	1433	23524	2030	29.8	591
16.0	11.7	1339	24178	2321	22.5	511
13.0	10.7	1224	25206	2587	15.7	397
10.0	9.5	1093	26511	2853	9.8	271
6.5	8.3	963	28008	3117	4.5	136
0.0	7.5	874	29402	3350	0.0	0

Note: Metric Performance data is calculated from the ASTM data above.

* Data represents performance of a typical motor sampled from a large production quantity. Individual motor data may vary due to normal manufacturing variations.

Test Specs:	120-Volts	Minimum Sealed Vacuum:	120.0	ORIFICE:	7/8"	Min. Vacuum:	62.0	Maximum Watts:	1580
-------------	-----------	------------------------	-------	----------	------	--------------	------	----------------	------

