



Floorcare & Specialty Motors

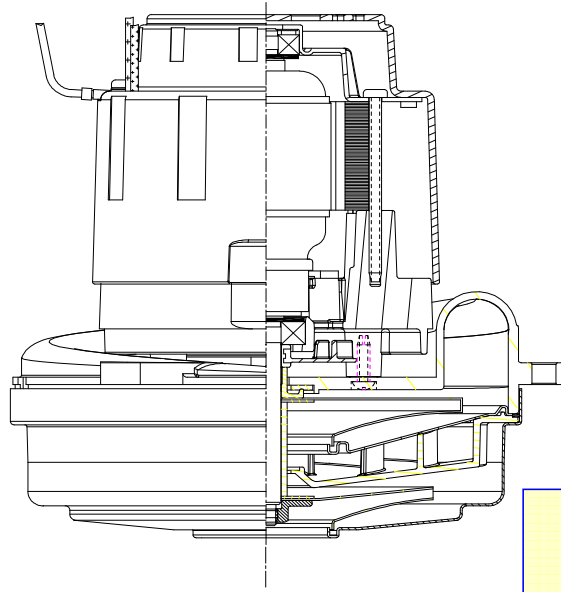
Model: 122234-07

SPECIAL FEATURES

- 1500+ hours life (curved brush)
- 625 Peak Air Watts
- Up to 40% Overall Efficiency
- High efficient cooling system
- Lamb "Green Power Label"
- UL recognized, category PRGY2 (E47185)
- CSA certification pending
- Locked-rotor, blocked cooling air and running overload protection
- New patent-pending bearing protection for wet applications.

DESCRIPTION

- 120 volts AC
- Two-stage tapered fan
- 6.6" / 162 mm diameter
- Improved sound quality
- "True" tangential discharge bracket
- High-Efficiency "Galaxy" lamination
- Double ball bearings; 10mm output



DESIGN APPLICATION

- Commercial and Residential Central Cleaning Systems
- Car wash vac and blower systems
- Equipment operating in environments requiring separation of working air from motor ventilating air
- Designed to handle clean, dry, filtered air only

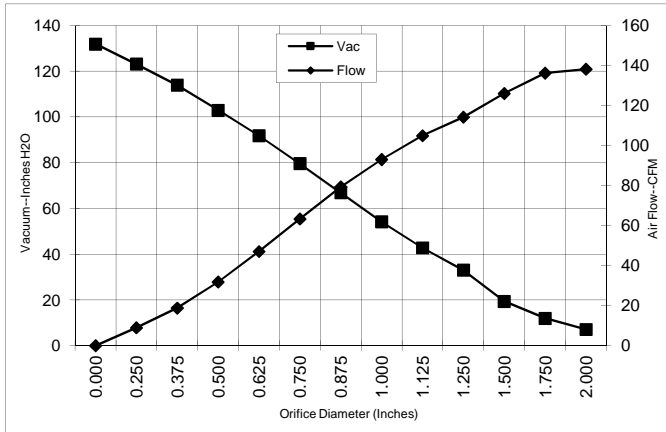
PEAK AIRWATTS
625

Calculated in accordance with ASTM F2105

TYPICAL MOTOR PERFORMANCE.*

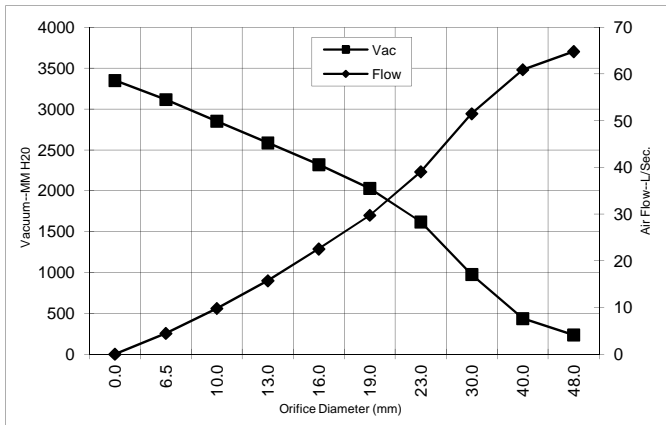
(At 120 volts, 60Hz, test data is corrected to standard conditions of 29.92 Hg, 68° F.)

ASTM DATA



Orifice (Inches)	Amps	Watts (In)	RPM	Vac (In.H2O)	Flow (CFM)	Air Watts
2.000	13.3	1516	23156	7.1	138.2	116
1.750	13.3	1520	23148	12.0	136.2	191
1.500	13.3	1515	23106	19.4	126.0	287
1.250	13.3	1514	23074	33.1	114.3	443
1.125	13.4	1521	23028	42.8	104.9	527
1.000	13.3	1517	23018	54.2	93.1	592
0.875	13.1	1494	23155	66.9	79.3	623
0.750	12.6	1435	23510	79.7	63.4	593
0.625	11.7	1335	24206	91.9	47.1	508
0.500	10.6	1212	25317	103.0	31.8	385
0.375	9.3	1072	26721	114.0	18.8	251
0.250	8.2	958	28075	123.2	9.0	130
0.000	7.5	874	29402	131.9	0.0	0

METRIC DATA



Orifice (mm)	Amps	Watts (In)	RPM	Vac (mm H2O)	Flow (L/Sec)	Air Watts
48.0	13.3	1518	23153	235	64.8	149
40.0	13.3	1517	23118	436	60.9	258
30.0	13.3	1518	23049	976	51.5	489
23.0	13.2	1500	23121	1619	39.1	615
19.0	12.6	1433	23524	2030	29.8	591
16.0	11.7	1339	24178	2321	22.5	511
13.0	10.7	1224	25206	2587	15.7	397
10.0	9.5	1093	26511	2853	9.8	271
6.5	8.3	963	28008	3117	4.5	136
0.0	7.5	874	29402	3350	0.0	0

Note: Metric Performance data is calculated from the ASTM data above.

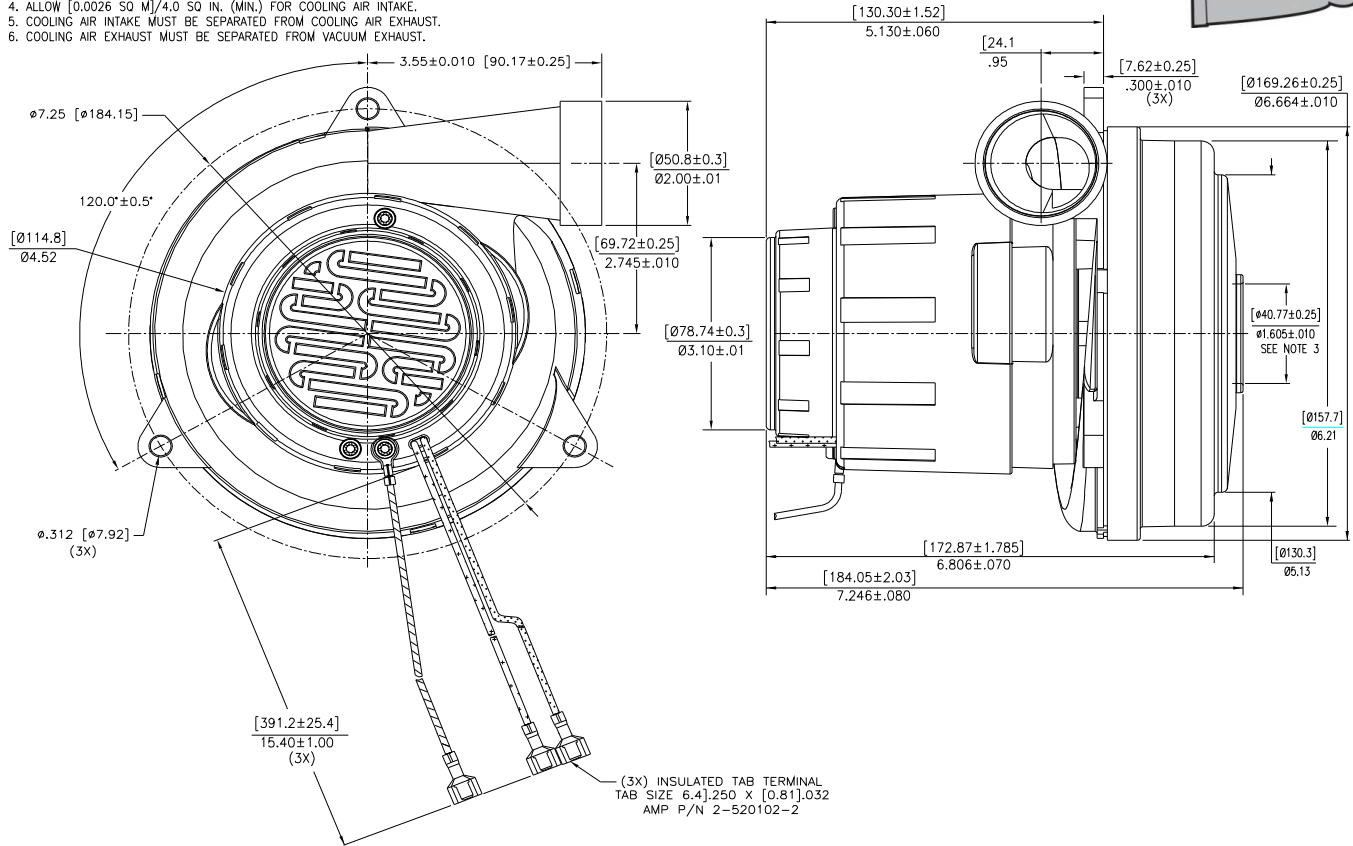
* Data represents performance of a typical motor sampled from a large production quantity. Individual motor data may vary due to normal manufacturing variations.

Test Specs:	120 Volts	Minimum Sealed Vacuum:	120.0	ORIFICE:	7/8"	Min. Vacuum:	62.0	Maximum Watts:	1580
-------------	-----------	------------------------	-------	----------	------	--------------	------	----------------	------

DIMENSIONS

NOTES:

1. LEADS: 18GA. STRANDED, POWER LEADS BLACK AND WHITE, GROUNDING LEAD GREEN OR GREEN WITH YELLOW STRIPE.
2. MOTOR IDENTIFICATION: MANUFACTURER'S NAME, MODEL NUMBER, VOLTAGE, FREQUENCY, INSPECTORS CODE WITH "FF" SUFFIX, DATE OF MANUFACTURE, AGENCY RECOGNITION CODE, PLANT LOCATION CODE, PATENT PENDING* AND COUNTRY OF ORIGIN.
3. MOUNTING MUST NOT RESTRICT THIS DIAMETER.
4. ALLOW [0.0026 SQ M]/4.0 SQ IN. (MIN.) FOR COOLING AIR INTAKE.
5. COOLING AIR INTAKE MUST BE SEPARATED FROM COOLING AIR EXHAUST.
6. COOLING AIR EXHAUST MUST BE SEPARATED FROM VACUUM EXHAUST.



IMPORTANT NOTE: Pictorial and dimensional data are subject to change without notice. Contact factory for current revision levels.

WARNING - When using AMETEK Floorcare & Specialty Motors (F&SM) bypass motors in machines that come in contact with foam, liquid (including water), or other foreign substances, the machine must be designed and constructed to prevent those substances from reaching the fan system, motor housing, and electrical components. F&SM vacuum motors other than hazardous duty models should not be applied in machines that come in contact with dry chemicals or other volatile materials. Failure to observe these precautions could cause flashing (depending on volatility) or electrical shock which could result in property damage and severe bodily injury, including death in extreme cases. All applications incorporating F&SM motors should be submitted to appropriate organizations or agencies for testing specifically related to the safety of your equipment.

AMETEK/Floorcare & Specialty Motors
www.ametekfsm.com

Issued: June 2015