



**Floorcare & Specialty Motors**

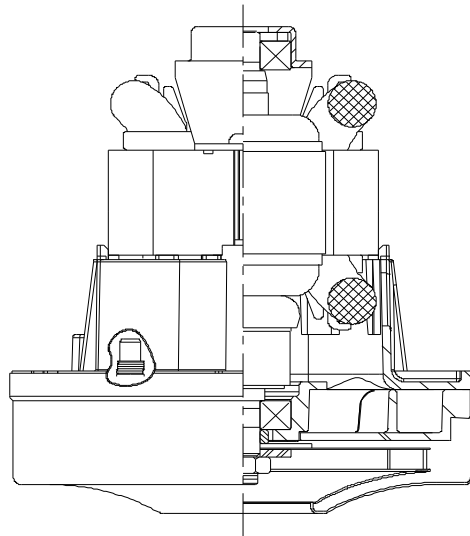
**Model: 119928-00**

**DESCRIPTION**

- One stage
- 240 volts
- 4.3" / 106 mm diameter
- Dual ball bearings
- Single speed
- Thru-flow discharge
- Thermal set fan end bracket
- Metal commutator bracket

**DESIGN APPLICATION**

- Equipment operating in environments requiring separation of working air from motor ventilating air
- Designed to handle clean, dry, filtered air only

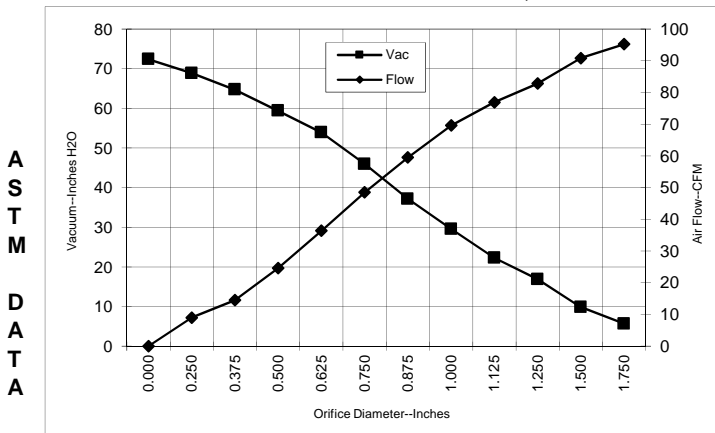


**SPECIAL FEATURES**

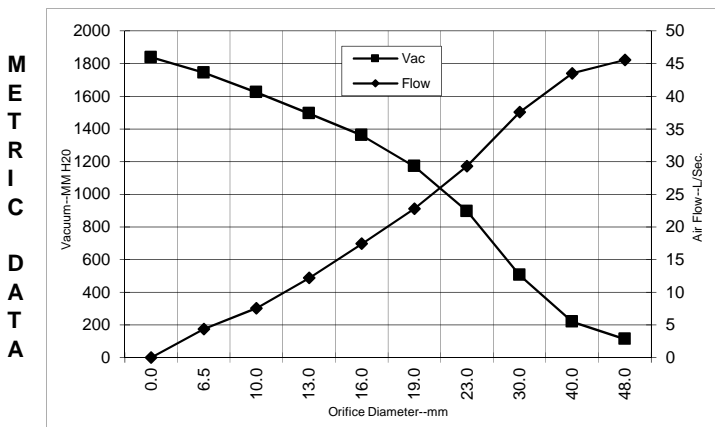
- Suitable for 240volt AC operation, 50/60 Hz
- UL recognized, category PRGY2 (E47185)
- Thermal Device
- Provision for grounding
  
- The Lamb vacuum motor line offers a wide range of performance levels to meet design needs

**TYPICAL MOTOR PERFORMANCE.\***

(At 240 volts AC, test data is corrected to standard conditions of 29.92 Hg, 68° F.)



Orifice (Inches)	Amps	Watts (In)	RPM	Vac (In.H <sub>2</sub> O)	Flow (CFM)	Air Watts
2.000	3.4	812	33590	3.5	97.5	40
1.750	3.5	819	33473	5.7	95.2	54
1.500	3.5	826	33477	9.9	90.8	105
1.250	3.5	824	33440	16.9	82.8	165
1.125	3.5	818	33527	22.3	76.9	201
1.000	3.5	819	33717	29.6	69.6	242
0.875	3.4	803	33870	37.2	59.5	260
0.750	3.3	777	34387	45.9	48.5	262
0.625	3.2	759	35263	53.9	36.4	231
0.500	3.0	717	36500	59.4	24.6	170
0.375	2.8	674	38660	64.7	14.5	110
0.250	2.6	627	40130	68.9	9.0	57
0.000	2.5	598	41740	72.4	0.0	0



Orifice (mm)	Amps	Watts (In)	RPM	Vac (mm H <sub>2</sub> O)	Flow (L/Sec)	Air Watts
48.0	3.4	815	33539	113	45.5	46
40.0	3.5	824	33476	218	43.5	90
30.0	3.5	821	33488	505	37.5	185
23.0	3.4	807	33832	895	29.3	256
19.0	3.3	777	34405	1171	22.8	261
16.0	3.2	760	35228	1361	17.4	232
13.0	3.0	721	36376	1494	12.2	176
10.0	2.9	680	38336	1623	7.6	119
6.5	2.6	629	40057	1744	4.4	60
0.0	2.5	598	41740	1838	0.0	0

Note: Metric performance data is calculated from the ASTM data above.

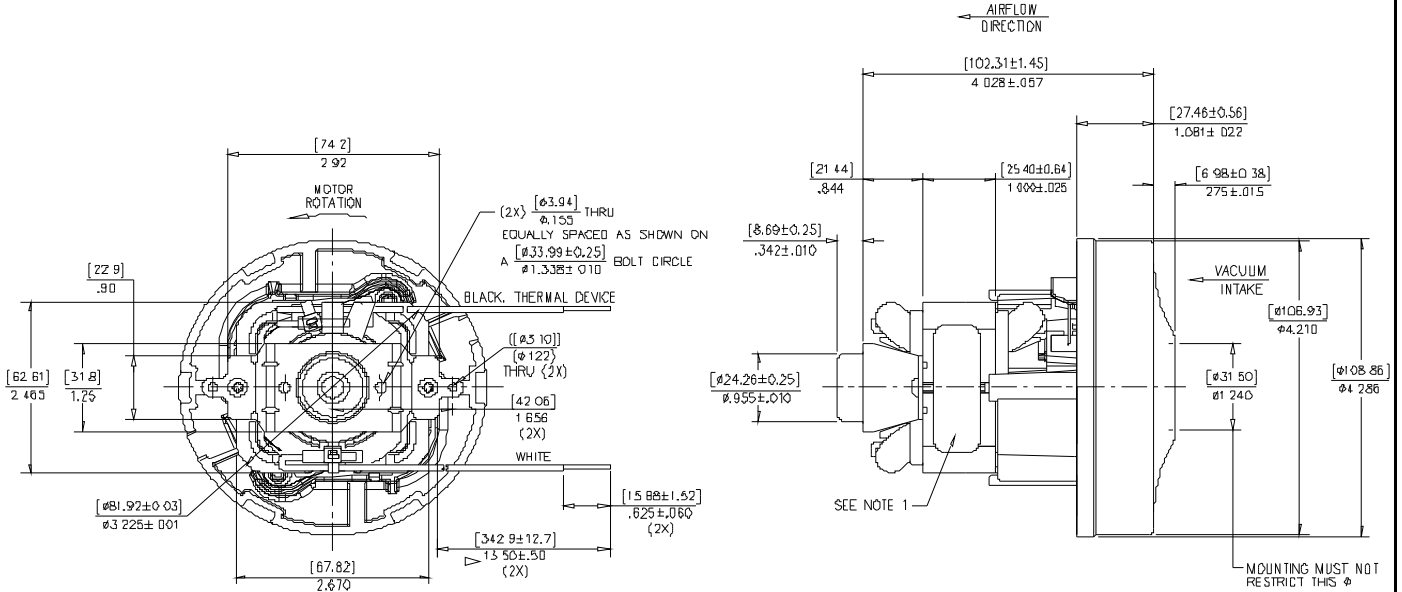
\* Data represents performance of a typical motor sampled from a large production quantity. Individual motor data may vary due to normal manufacturing variations.

<b>Test Specs: 240 volts</b>	<b>Minimum Sealed Vacuum: 72.0"</b>	<b>ORIFICE: 7/8"</b>	<b>Minimum Vacuum: 36.5"</b>	<b>Maximum Watts: 780</b>
------------------------------	-------------------------------------	----------------------	------------------------------	---------------------------

**DIMENSIONS**

**NOTES:**

1. MODEL NUMBER, DATE OF MANUFACTURE, PLANT LOCATION CODE, AGENCY RECOGNITION CODE, INSPECTOR'S CODE, MANUFACTURER'S NAME, "THERMALLY PROTECTED L 6.3 AMP", "US PATENT: US 6,703,764 B1 & PATENTS PENDING", VOLTAGE AND FREQUENCY TO APPEAR ON MOTOR



**IMPORTANT NOTE:** Pictorial and dimensional data are subject to change without notice. Contact factory for current revision levels.

**WARNING** - When using AMETEK Lamb Electric bypass motors in machines that come in contact with foam, liquid (including water), or other foreign substances, the machine must be designed and constructed to prevent those substances from reaching the fan system, motor housing, and electrical components. Lamb Electric vacuum motors other than hazardous duty models should not be applied in machines that come in contact with dry chemicals or other volatile materials. Failure to observe these precautions could cause flashing (depending on volatility) or electrical shock which could result in property damage and severe bodily injury, including death in extreme cases. All applications incorporating Lamb Electric motors should be submitted to appropriate organizations or agencies for testing specifically related to the safety of your equipment.

**AMETEK/Floorcare & Specialty Motors**  
[www.ametekfsm.com](http://www.ametekfsm.com)