



LAMB ELECTRIC

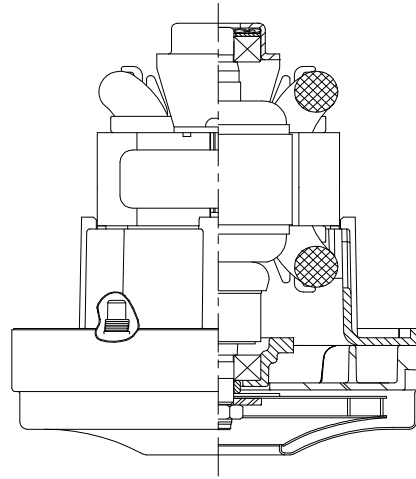
Model: 119874-00

DESCRIPTION

- One stage
- 120 volts
- 4.3" / 106 mm diameter
- Dual ball bearings
- Single speed
- Thru-flow discharge
- Thermal set fan end bracket
- Metal commutator bracket

DESIGN APPLICATION

- Equipment operating in environments requiring separation of working air from motor ventilating air
- Designed to handle clean, dry, filtered air only



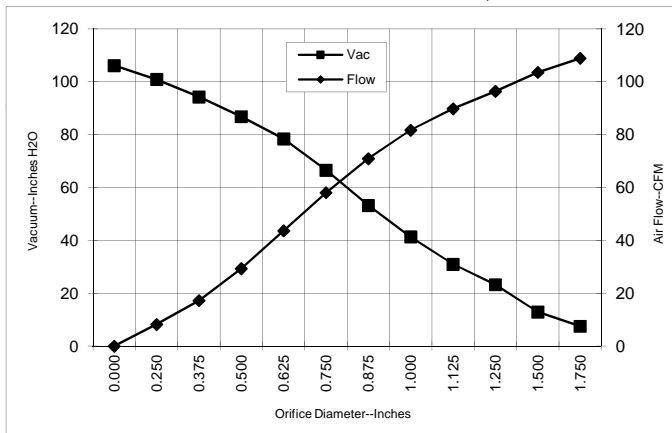
SPECIAL FEATURES

- Suitable for 120 volt AC operation, 50/60 Hz
- UL recognized, category PRGY2 (E47185)
- CSA certified, class 1611 01 (LR31393)
- Provision for grounding
- The Lamb vacuum motor line offers a wide range of performance levels to meet design needs

TYPICAL MOTOR PERFORMANCE.*

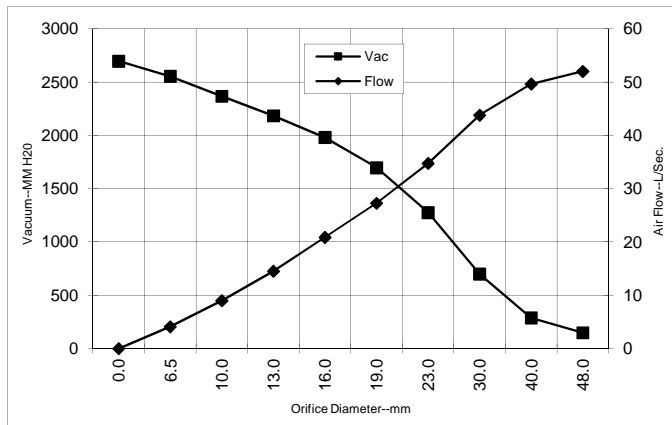
(At 120 volts DC, test data is corrected to standard conditions of 29.92 Hg, 68° F.)

ASTM DATA



Orifice (Inches)	Amps	Watts (In)	RPM	Vac (In.H ₂ O)	Flow (CFM)	Air Watts
2.000	11.2	1317	39560	4.6	111.2	60
1.750	11.2	1313	39630	7.5	108.9	96
1.500	11.2	1312	39760	12.9	103.5	158
1.250	11.2	1309	39980	23.3	96.4	264
1.125	11.1	1298	40120	31.0	89.8	327
1.000	10.9	1284	40240	41.4	81.7	397
0.875	10.7	1256	40920	53.2	70.9	444
0.750	10.3	1215	41990	66.6	58.0	454
0.625	9.8	1153	43070	78.4	43.6	402
0.500	9.0	1058	44430	86.8	29.3	299
0.375	8.3	982	46600	94.3	17.2	191
0.250	7.8	920	48670	100.9	8.2	98
0.000	7.2	859	50940	106.1	0.0	0

METRIC DATA



Orifice (mm)	Amps	Watts (In)	RPM	Vac (mm H ₂ O)	Flow (L/Sec)	Air Watts
48.0	11.2	1315	39591	149	52.0	76
40.0	11.2	1312	39721	287	49.6	139
30.0	11.1	1303	40057	698	43.8	299
23.0	10.8	1263	40750	1276	34.7	432
19.0	10.3	1214	42012	1696	27.3	453
16.0	9.8	1155	43027	1980	20.9	405
13.0	9.1	1068	44294	2184	14.5	310
10.0	8.4	993	46275	2367	9.0	207
6.5	7.8	923	48567	2554	4.1	102
0.0	7.2	859	50940	2696	0.0	0

Note: Metric performance data is calculated from the ASTM data above.

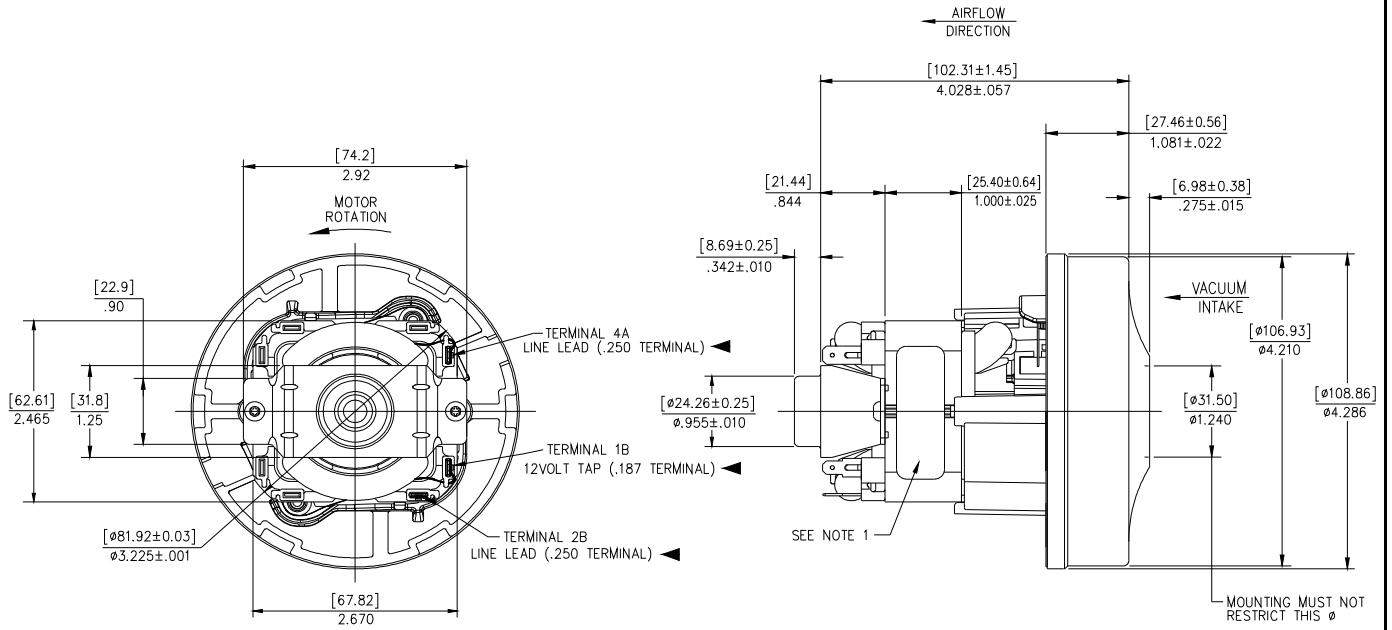
* Data represents performance of a typical motor sampled from a large production quantity. Individual motor data may vary due to normal manufacturing variations.

Test Specs: 120 volts	Minimum Sealed Vacuum: 92.0"	ORIFICE: 7/8"	Minimum Vacuum: 49.0"	Maximum Watts: 1345
------------------------------	-------------------------------------	----------------------	------------------------------	----------------------------

DIMENSIONS

NOTES:

1. MODEL NUMBER, DATE OF MANUFACTURE, PLANT LOCATION CODE, AGENCY RECOGNITION CODE, INSPECTOR'S CODE, MANUFACTURER'S NAME, "US PATENT: US 6,703,754 B1 & PATENTS PENDING", VOLTAGE AND FREQUENCY, AND CUSTOMER'S PART NO. TO APPEAR ON MOTOR.



IMPORTANT NOTE: Pictorial and dimensional data are subject to change without notice. Contact factory for current revision levels.

WARNING - When using AMETEK Lamb Electric bypass motors in machines that come in contact with foam, liquid (including water), or other foreign substances, the machine must be designed and constructed to prevent those substances from reaching the fan system, motor housing, and electrical components. Lamb Electric vacuum motors other than hazardous duty models should not be applied in machines that come in contact with dry chemicals or other volatile materials. Failure to observe these precautions could cause flashing (depending on volatility) or electrical shock which could result in property damage and severe bodily injury, including death in extreme cases. All applications incorporating Lamb Electric motors should be submitted to appropriate organizations or agencies for testing specifically related to the safety of your equipment.

AMETEK/Floorcare & Specialty Motors
www.ametekfsm.com