



AMETEK
LAMB ELECTRIC

Product Bulletin

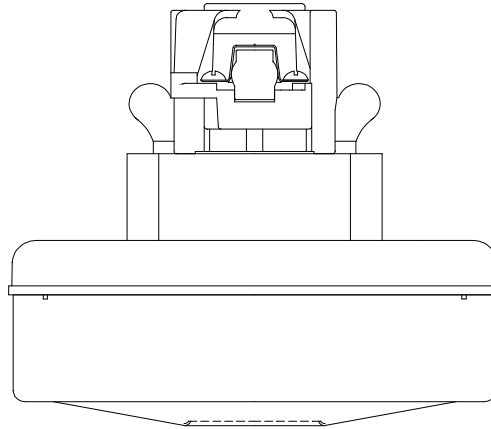
Model: 119490-00

DESCRIPTION

- Single stage
- 240 volts
- 5.7" (145mm) mm diameter
- Double ball bearings
- Single speed
- Thru-flow discharge
- Aluminum fan end bracket
- Aluminum commutator bracket

DESIGN APPLICATION

- Equipment operating in environments not requiring separation of working air from motor ventilating air
- Designed to handle clean, dry, filtered air only

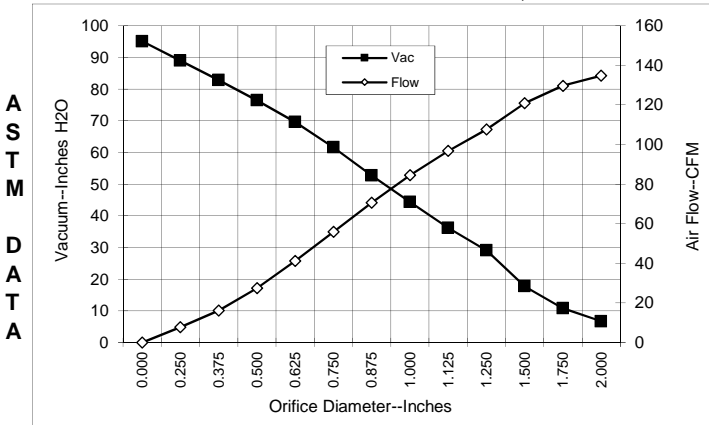


SPECIAL FEATURES

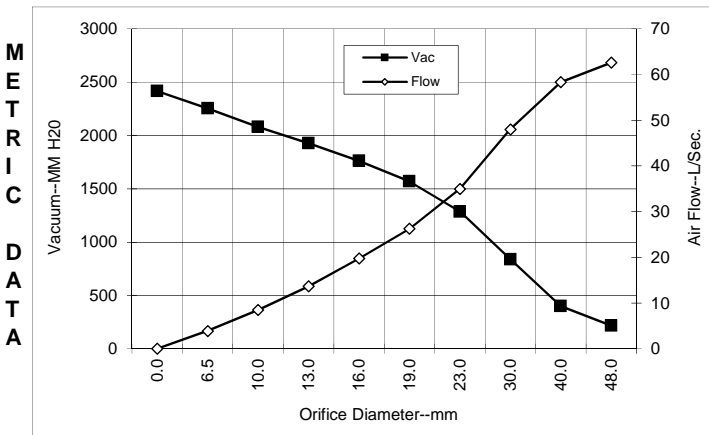
- Suitable for 240volt AC operation, 50/60 Hz
- UL recognized, category PRGY2 (E47185)
- Provision for grounding
- Skeleton frame design
- Tapered fan system
- High air flow fan system
- The Lamb vacuum motor line offers a wide range of performance levels to meet design needs

TYPICAL MOTOR PERFORMANCE.*

(At 240 volts, 60Hz, test data is corrected to standard conditions of 29.92 Hg, 68° F.)



Orifice (Inches)	Amps	Watts (In)	RPM	Vac (In.H2O)	Flow (CFM)	Air Watts
2.000	6.1	1422	26237	6.7	134.8	107
1.750	6.1	1419	26252	10.8	129.7	165
1.500	6.1	1409	26330	17.8	120.9	253
1.250	5.9	1375	26700	29.1	107.6	369
1.125	5.8	1348	26962	36.2	96.8	412
1.000	5.6	1309	27422	44.3	84.5	440
0.875	5.4	1254	28087	52.7	70.6	437
0.750	5.1	1192	28880	61.6	55.9	404
0.625	4.8	1117	29947	69.6	41.2	337
0.500	4.4	1032	31205	76.5	27.5	247
0.375	4.0	951	32827	82.8	16.2	158
0.250	3.8	889	34022	89.0	7.8	82
0.000	3.6	854	34935	95.1	0.0	0



Orifice (mm)	Amps	Watts (In)	RPM	Vac (mm H2O)	Flow (L/Sec)	Air Watts
48.0	6.1	1421	26244	216	62.6	133
40.0	6.1	1412	26307	399	58.3	227
30.0	5.8	1360	26844	838	48.0	393
23.0	5.5	1268	27921	1285	35.0	438
19.0	5.1	1191	28901	1569	26.2	403
16.0	4.8	1120	29904	1760	19.7	340
13.0	4.4	1041	31079	1926	13.6	256
10.0	4.1	963	32584	2079	8.4	171
6.5	3.8	892	33962	2253	3.9	86
0.0	3.6	854	34935	2416	0.0	0

Note: Metric performance data is calculated from the ASTM data above.

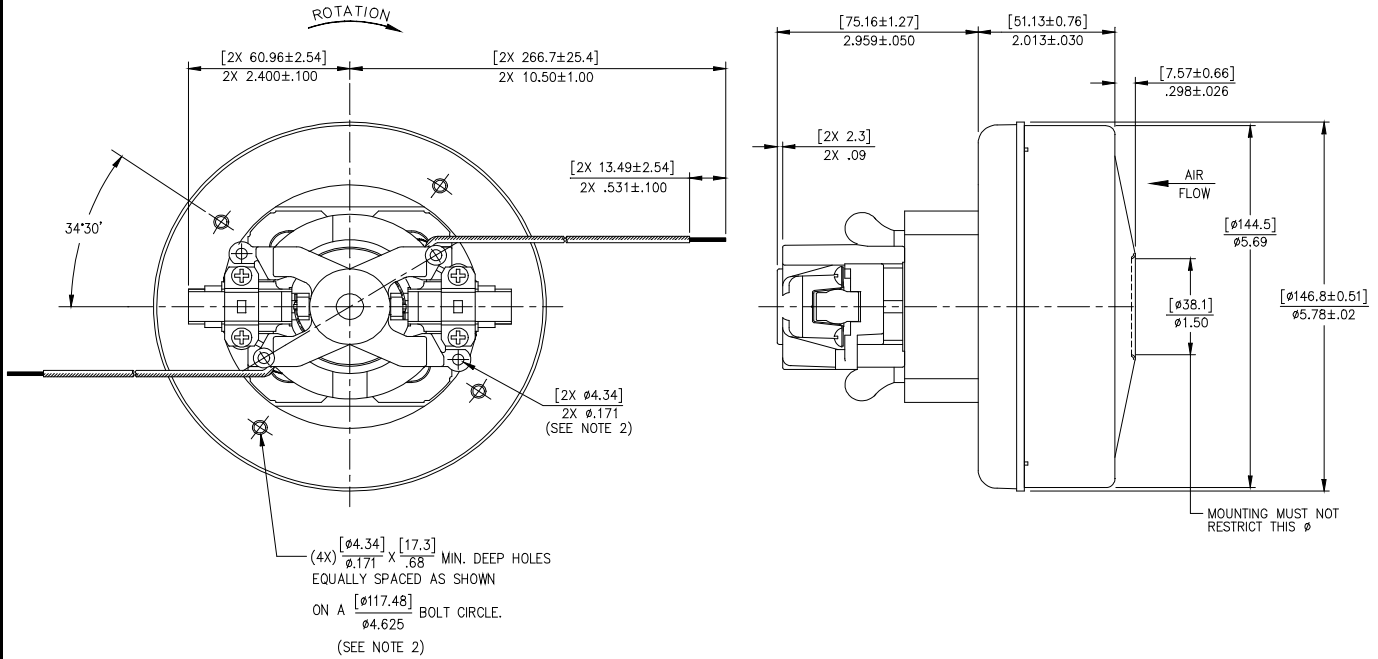
* Data represents performance of a typical motor sampled from a large production quantity. Individual motor data may vary to normal manufacturing variations.

Test Specs:	240V	Minimum Sealed Vacuum:	84"	ORIFICE:	7/8"	Minimum Vacuum:	45"	Maximum Watts:	1340
--------------------	------	-------------------------------	-----	-----------------	------	------------------------	-----	-----------------------	------

DIMENSIONS

NOTES: UNLESS OTHERWISE SPECIFIED.

1. LEADS: 18GA. STRANDED. LEADS CAN BE ANY COLOR EXCEPT GREEN OR GREEN WITH YELLOW STRIPE.
2. GROUNDING OR EARTHING PROVISIONS: USE HOLES AS INDICATED FOR GROUNDING OR EARTHING. REFER TO APPROPRIATE LISTING OR REGULATORY AGENCY FOR PROPER METHOD OF GROUNDING OR EARTHING.
3. MOTOR IDENTIFICATION: MANUFACTURER'S NAME, MODEL NUMBER, VOLTAGE, FREQUENCY, INSPECTORS CODE, DATE OF MANUFACTURE, AGENCY RECOGNITION CODE, PLANT LOCATION CODE AND MADE IN USA.



IMPORTANT NOTE: Pictorial and dimensional data are subject to change without notice. Contact factory for current revision levels.

WARNING - Ametek/Lamb Electric thru-flow vacuum motors must never be used in applications in which wet or moist conditions are involved, where dry chemicals or other volatile materials are present or where airflow may be restricted or blocked. Such motors are designed to permit the vacuumed air to pass over the electrical winding to cool it. Thus any foam, liquid (including water), dry chemical or other foreign substance will come in contact with electrical conductors which could cause combustion (depending on volatility) or electrical shock. Failure to observe these precautions could result in property damage and severe personal injury, including death in extreme cases. All applications incorporating Lamb motors should be submitted to Underwriters Laboratories Inc. or other appropriate organizations or agencies for testing specifically related to the safety of your equipment.

AMETEK/Floorcare & Specialty Motors
www.ametekfsm.com