



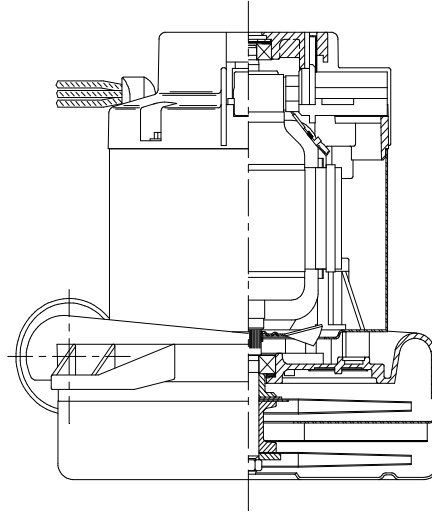
Model: 117549-12

DESCRIPTION

- Two stage
- 120 volts
- 7.2"/183 mm diameter
- Double ball bearings
- Single speed
- Tangential bypass discharge
- Aluminum fan end bracket
- Aluminum commutator bracket

DESIGN APPLICATION

- Equipment operating in environments requiring separation of working air from motor ventilating air
- Designed to handle clean, dry, filtered air only



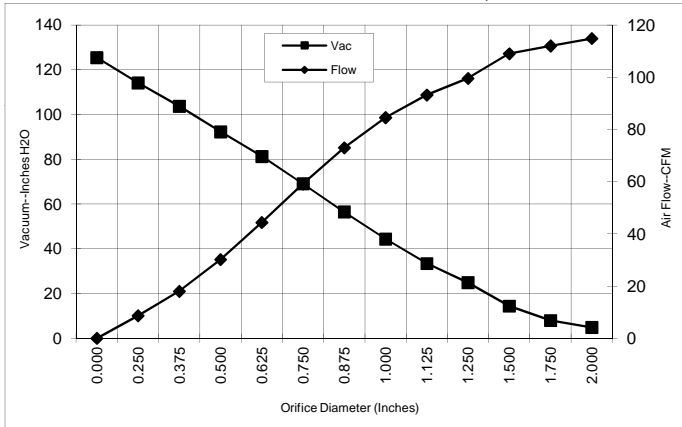
SPECIAL FEATURES

- Suitable for 120 volt AC operation, 50/60 Hz
- UL recognized, category PRGY2 (E47185)
- CSA certified, class 1611 01 (LR31393)
- Provision for grounding
- Epoxy painted fan case
- Non-loading fans
- Aluminum fan end bracket designed to dampen vibration and improve durability
- 10 mm shaft and bearing system
- The Lamb Electric vacuum motor line offers a wide range of performance levels to meet design needs

TYPICAL MOTOR PERFORMANCE.*

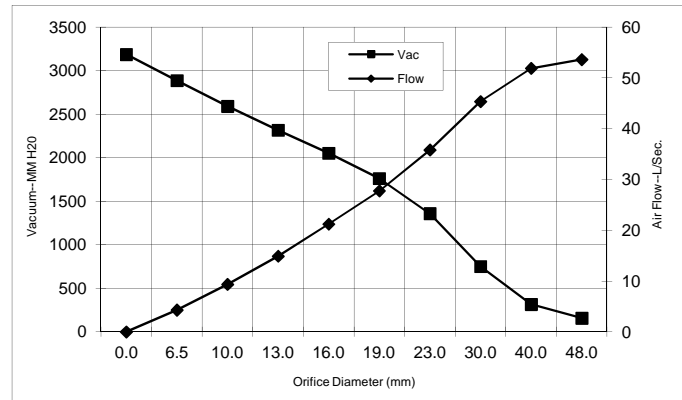
(At 120 volts, 60Hz, test data is corrected to standard conditions of 29.92 Hg, 68° F.)

ASTM DATA



Orifice (Inches)	Amps	Watts (In)	RPM	Vac (In.H ₂ O)	Flow (CFM)	Air Watts
2.000	14.8	1681	17193	4.9	114.8	65
1.750	14.8	1682	17184	8.0	112.0	105
1.500	14.8	1683	17205	14.4	109.0	184
1.250	14.7	1675	17243	24.9	99.5	290
1.125	14.7	1673	17272	33.4	93.2	366
1.000	14.6	1660	17352	44.4	84.5	440
0.875	14.3	1625	17551	56.5	73.0	484
0.750	13.8	1573	17912	69.1	59.1	479
0.625	13.0	1493	18500	81.3	44.4	423
0.500	12.1	1393	19251	92.3	30.2	327
0.375	11.1	1286	20240	103.7	18.0	219
0.250	10.2	1186	21314	114.1	8.7	116
0.000	9.4	1096	22279	125.4	0.0	0

METRIC DATA



Orifice (mm)	Amps	Watts (In)	RPM	Vac (mm H ₂ O)	Flow (L/Sec)	Air Watts
48.0	14.8	1681	17189	158	53.6	83
40.0	14.8	1683	17199	317	51.9	160
30.0	14.7	1674	17259	751	45.3	332
23.0	14.3	1634	17501	1357	35.8	473
19.0	13.8	1571	17924	1761	27.8	478
16.0	13.0	1496	18476	2051	21.2	425
13.0	12.2	1403	19176	2316	14.9	336
10.0	11.2	1302	20092	2590	9.3	235
6.5	10.2	1191	21260	2884	4.3	121
0.0	9.4	1096	22279	3185	0.0	0

Note: Metric performance data is calculated from the ASTM data above.

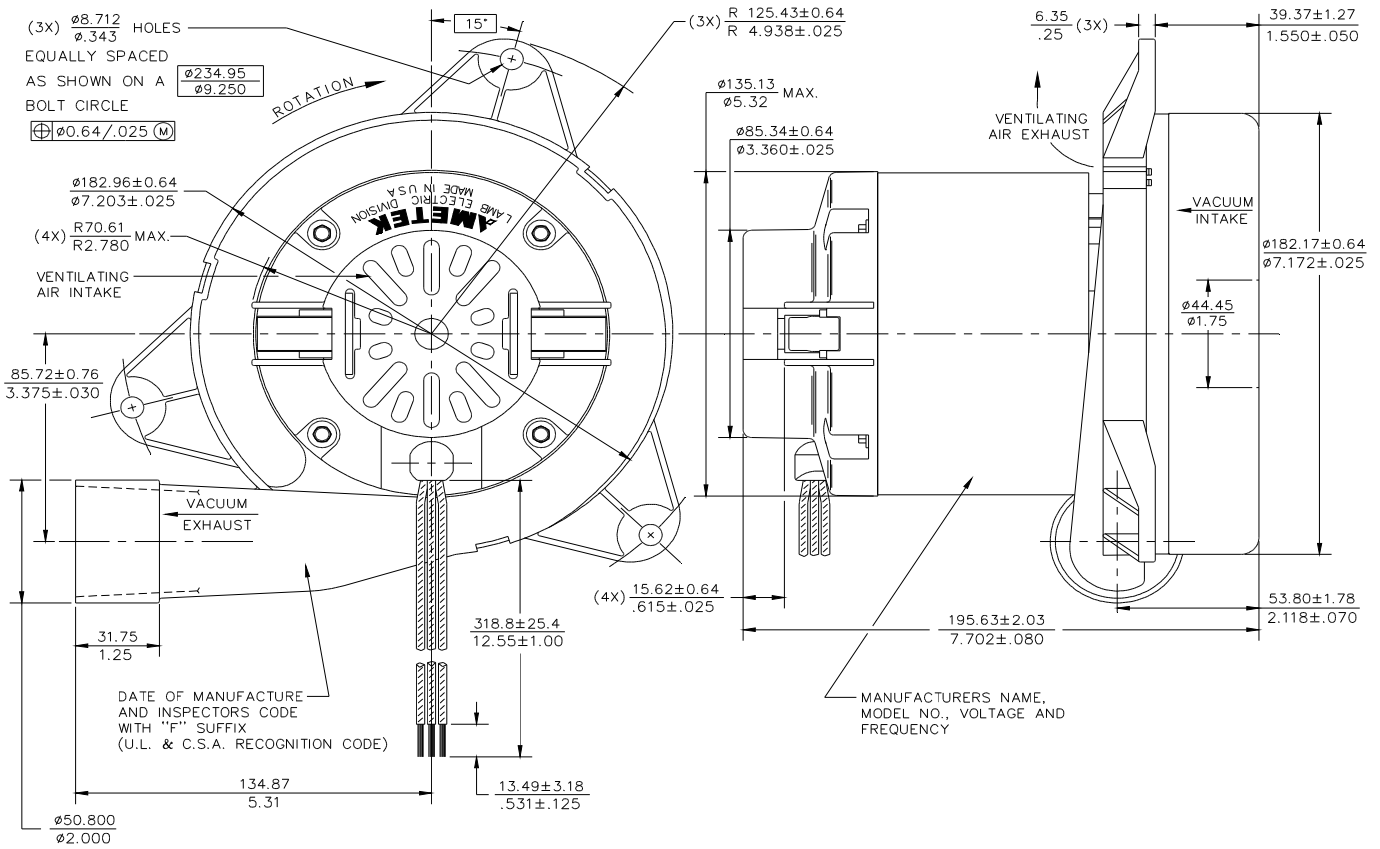
* Data represents performance of a typical motor sampled from a large production quantity. Individual motor data may vary due to normal manufacturing variations.

Test Specs:	120 volts	Minimum Sealed Vacuum: 115"	ORIFICE:	7/8"	Minimum Vacuum: 52"	Maximum Watts:	1720
--------------------	-----------	------------------------------------	-----------------	------	----------------------------	-----------------------	------

DIMENSIONS

NOTES:

1. LEADS: 16GA. STRANDED, ONE BLACK AND ONE WHITE. GROUND LEAD: 18GA. STRANDED, GREEN WITH YELLOW STRIPE.



IMPORTANT NOTE: Pictorial and dimensional data are subject to change without notice. Contact factory for current revision levels.

WARNING - When using AMETEK Lamb Electric bypass motors in machines that come in contact with foam, liquid (including water), or other foreign substances, the machine must be designed and constructed to prevent those substances from reaching the fan system, motor housing, and electrical components. Lamb Electric vacuum motors other than hazardous duty models should not be applied in machines that come in contact with dry chemicals or other volatile materials. Failure to observe these precautions could cause flashing (depending on volatility) or electrical shock which could result in property damage and severe bodily injury, including death in extreme cases. All applications incorporating Lamb Electric motors should be submitted to appropriate organizations or agencies for testing specifically related to the safety of your equipment.

AMETEK/Floorcare & Specialty Motors
www.ametekfsm.com