



AMETEK
LAMB ELECTRIC

Product Bulletin

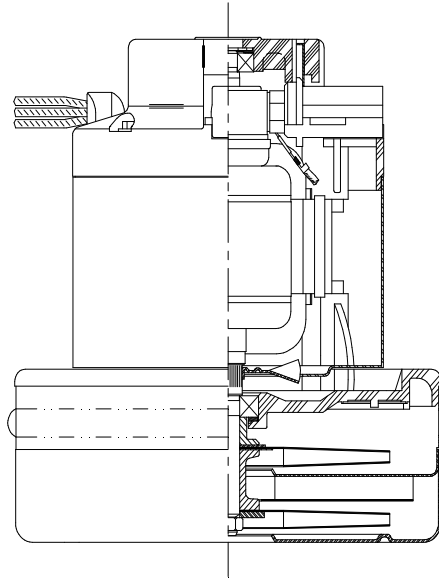
Model: 117508-00

DESCRIPTION

- Two stage
- 120 volts
- 7.2"/183 mm diameter
- Double ball bearings
- Single speed
- Peripheral bypass discharge
- Thermoset fan end bracket
- Thermoset commutator bracket

DESIGN APPLICATION

- Equipment operating in environments requiring separation of working air from motor ventilating air
- Designed to handle clean, dry, filtered air only

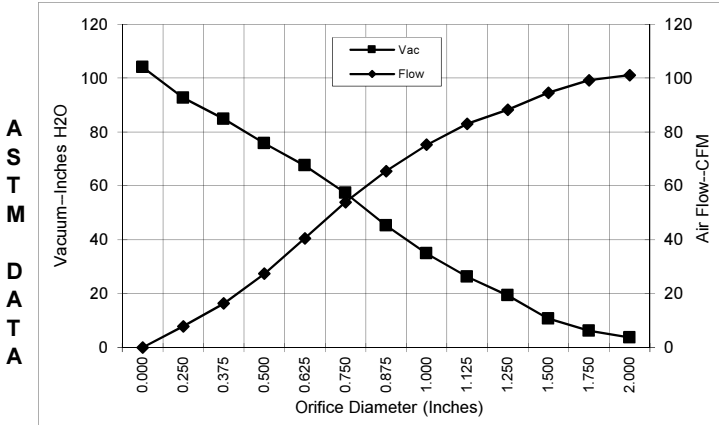


SPECIAL FEATURES

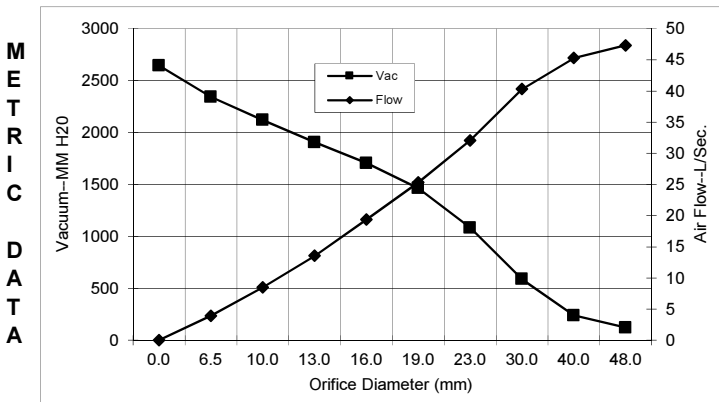
- Suitable for 120 volt AC operation, 50/60 Hz
- UL recognized, category PRGY2 (E47185)
- Provision for grounding
- 10 mm shaft and bearing system
- The Lamb vacuum motor line offers a wide range of performance levels to meet design needs

TYPICAL MOTOR PERFORMANCE.*

(At 120 volts, 60Hz, test data is corrected to standard conditions of 29.92 Hg, 68° F.)



| Orifice (Inches) | Amps | Watts (In) | RPM | Vac (In.H2O) | Flow (CFM) | Air Watts |
|------------------|------|------------|-------|--------------|------------|-----------|
| 2.000 | 10.5 | 1194 | 18481 | 3.7 | 101.1 | 44 |
| 1.750 | 10.5 | 1195 | 18441 | 6.2 | 99.2 | 72 |
| 1.500 | 10.6 | 1201 | 18388 | 10.7 | 94.6 | 119 |
| 1.250 | 10.6 | 1208 | 18364 | 19.4 | 88.3 | 200 |
| 1.125 | 10.6 | 1210 | 18340 | 26.3 | 83.0 | 256 |
| 1.000 | 10.7 | 1214 | 18362 | 34.9 | 75.3 | 308 |
| 0.875 | 10.6 | 1205 | 18441 | 45.3 | 65.5 | 348 |
| 0.750 | 10.4 | 1184 | 18639 | 57.4 | 54.0 | 364 |
| 0.625 | 9.9 | 1126 | 19145 | 67.6 | 40.5 | 321 |
| 0.500 | 9.2 | 1054 | 19862 | 75.8 | 27.4 | 244 |
| 0.375 | 8.5 | 981 | 20793 | 84.8 | 16.4 | 163 |
| 0.250 | 7.8 | 909 | 21801 | 92.7 | 7.9 | 86 |
| 0.000 | 7.3 | 845 | 22719 | 104.1 | 0.0 | 0 |



| Orifice (mm) | Amps | Watts (In) | RPM | Vac (mm H2O) | Flow (L/Sec) | Air Watts |
|--------------|------|------------|-------|--------------|--------------|-----------|
| 48.0 | 10.5 | 1194 | 18463 | 123 | 47.3 | 57 |
| 40.0 | 10.6 | 1199 | 18404 | 238 | 45.3 | 105 |
| 30.0 | 10.6 | 1209 | 18351 | 588 | 40.3 | 231 |
| 23.0 | 10.6 | 1207 | 18421 | 1084 | 32.1 | 338 |
| 19.0 | 10.4 | 1183 | 18649 | 1463 | 25.4 | 363 |
| 16.0 | 9.9 | 1129 | 19125 | 1706 | 19.4 | 323 |
| 13.0 | 9.3 | 1061 | 19790 | 1905 | 13.6 | 252 |
| 10.0 | 8.6 | 992 | 20653 | 2120 | 8.5 | 175 |
| 6.5 | 7.9 | 912 | 21751 | 2344 | 3.9 | 90 |
| 0.0 | 7.3 | 845 | 22719 | 2643 | 0.0 | 0 |

Note: Metric performance data is calculated from the ASTM data above.

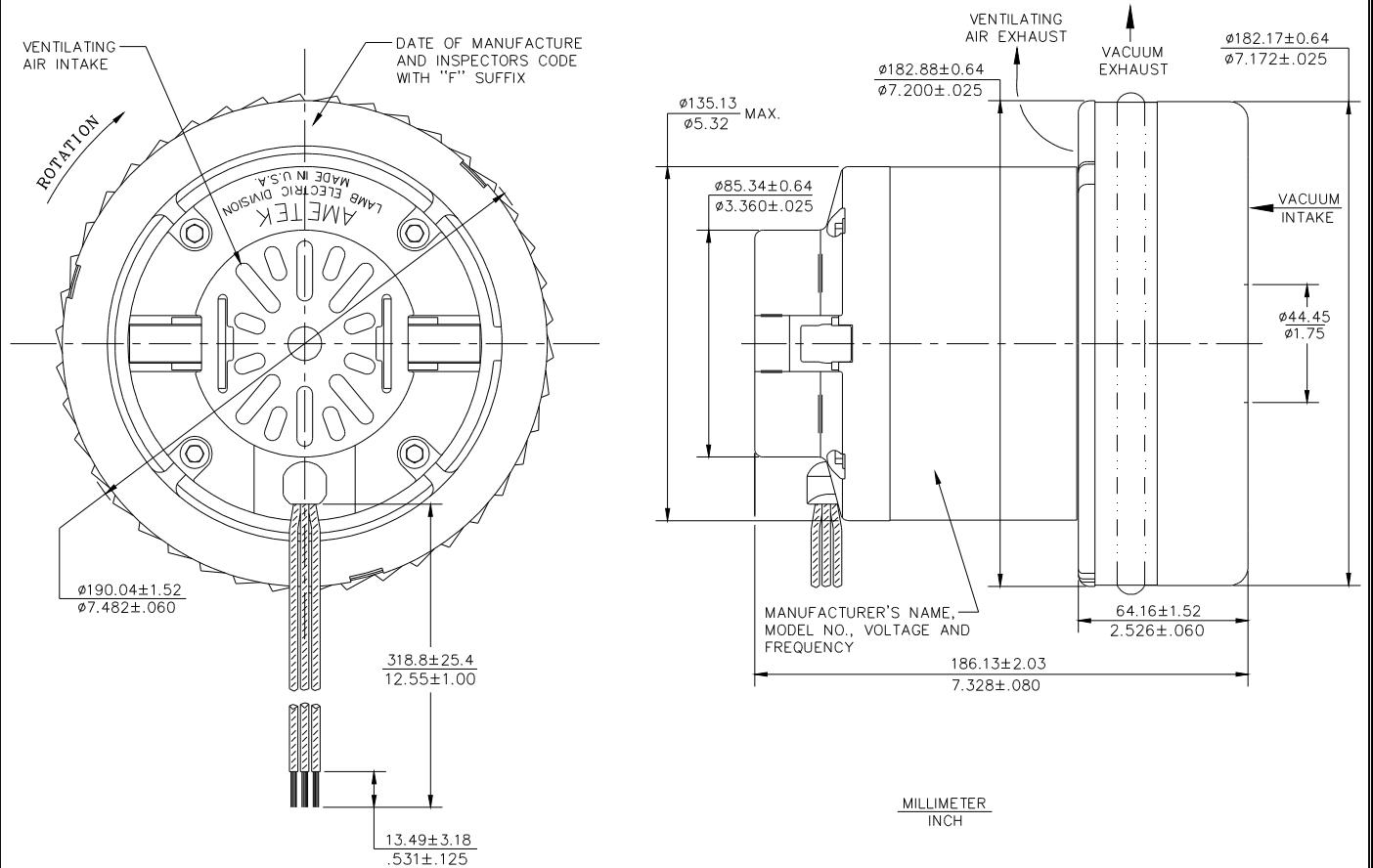
* Data represents performance of a typical motor sampled from a large production quantity. Individual motor data may vary to normal manufacturing variations.

| | | | | | | | |
|--------------------|-----------|------------------------------------|-----------------|------|----------------------------|-----------------------|------|
| Test Specs: | 120 volts | Minimum Sealed Vacuum: 102" | ORIFICE: | 7/8" | Minimum Vacuum: 43" | Maximum Watts: | 1430 |
|--------------------|-----------|------------------------------------|-----------------|------|----------------------------|-----------------------|------|

DIMENSIONS

NOTES:

1. LEADS: 16GA. STRANDED, ONE BLACK AND ONE WHITE. GROUND LEAD: 18GA. STRANDED; COLOR GREEN WITH YELLOW STRIPE.



IMPORTANT NOTE: Pictorial and dimensional data are subject to change without notice. Contact factory for current revision levels.

WARNING - When using AMETEK/Lamb Electric bypass motors in machines that come in contact with foam, liquid (including water) or other foreign substances, the machine must be designed and constructed to prevent those substances from reaching the fan system, motor housing and electrical components. Lamb vacuum motors other than hazardous duty models should not be applied in machines that come in contact with dry chemicals or other volatile materials. Failure to observe these precautions could cause flashing (depending on volatility) or electrical shock which could result in property damage and severe bodily injury, including death in extreme cases. All applications incorporating Lamb motors should be submitted to appropriate organizations or agencies for testing specifically related to the safety of your equipment.

AMETEK Dynamic Fluid Solutions
www.ametekdfs.com