



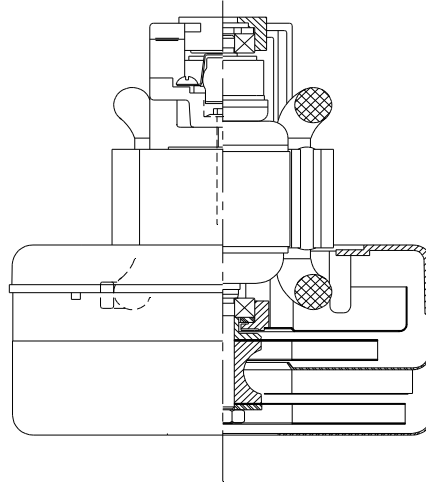
Model: 117468-00

DESCRIPTION

- Two stage
- 120 volts
- 5.7"/145 mm diameter
- Double ball bearings
- Single speed
- Thru-flow discharge
- Aluminum fan end bracket
- Aluminum commutator bracket

DESIGN APPLICATION

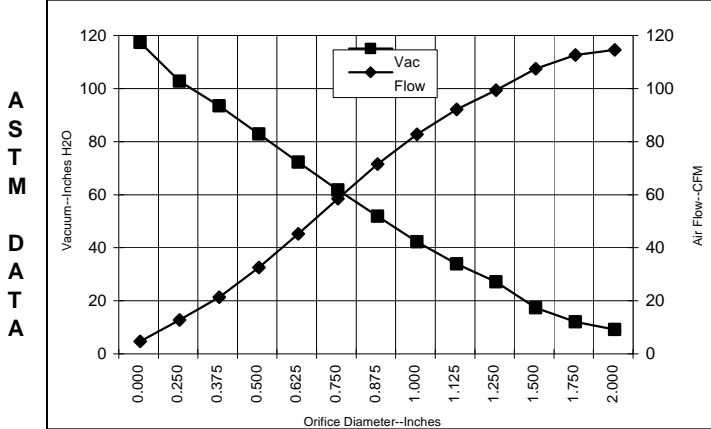
- Equipment operating in environments not requiring separation of working air from motor ventilating air
- Designed to handle clean, dry, filtered air only



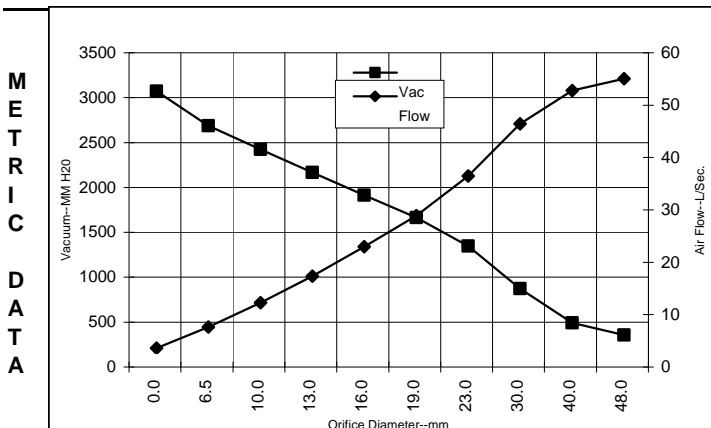
SPECIAL FEATURES

- Suitable for 120 volt AC operation, 50/60 Hz
- UL recognized, category PRGY2 (E47185)
- Skeleton-frame design
- Thermal protection, automatic reset, UL category XEWR2 (E27701)
- The Lamb Electric vacuum motor line offers a wide range of performance levels to meet design needs

TYPICAL MOTOR PERFORMANCE.* (At 120 volts, 60Hz, test data is corrected to standard conditions of 29.92 Hg, 68° F.)



Orifice (Inches)	Amps	Watts (In)	RPM	Vac (In.H ₂ O)	Flow (CFM)	Air Watts
2.000	11.4	1310	22070	4.5	109.9	57
1.750	11.4	1317	22000	7.3	107.9	93
1.500	11.5	1325	21930	12.7	102.7	154
1.250	11.5	1325	21870	22.4	94.7	249
1.125	11.5	1319	21860	29.2	87.4	301
1.000	11.4	1307	21980	37.5	78.0	344
0.875	11.1	1277	22280	47.1	66.8	369
0.750	10.6	1223	22780	57.1	53.8	361
0.625	9.9	1153	23560	67.5	40.5	321
0.500	9.1	1065	24570	78.1	27.8	255
0.375	8.2	961	25820	88.8	16.7	174
0.250	7.3	865	27190	98.0	8.1	93
0.000	6.7	794	28410	112.7	0.0	0



Orifice (mm)	Amps	Watts (In)	RPM	Vac (mm H ₂ O)	Flow (L/Sec)	Air Watts
48.0	11.4	1313	22039	145	51.5	73
40.0	11.5	1323	21951	281	49.2	136
30.0	11.5	1322	21865	664	42.8	278
23.0	11.1	1285	22205	1135	32.9	363
19.0	10.6	1222	22796	1456	25.3	360
16.0	10.0	1156	23529	1704	19.4	323
13.0	9.2	1074	24469	1957	13.7	262
10.0	8.3	977	25633	2215	8.7	186
6.5	7.4	870	27122	2478	4.0	97
0.0	6.7	794	28410	2863	0.0	0

Note: Metric performance data is calculated from the ASTM data above.

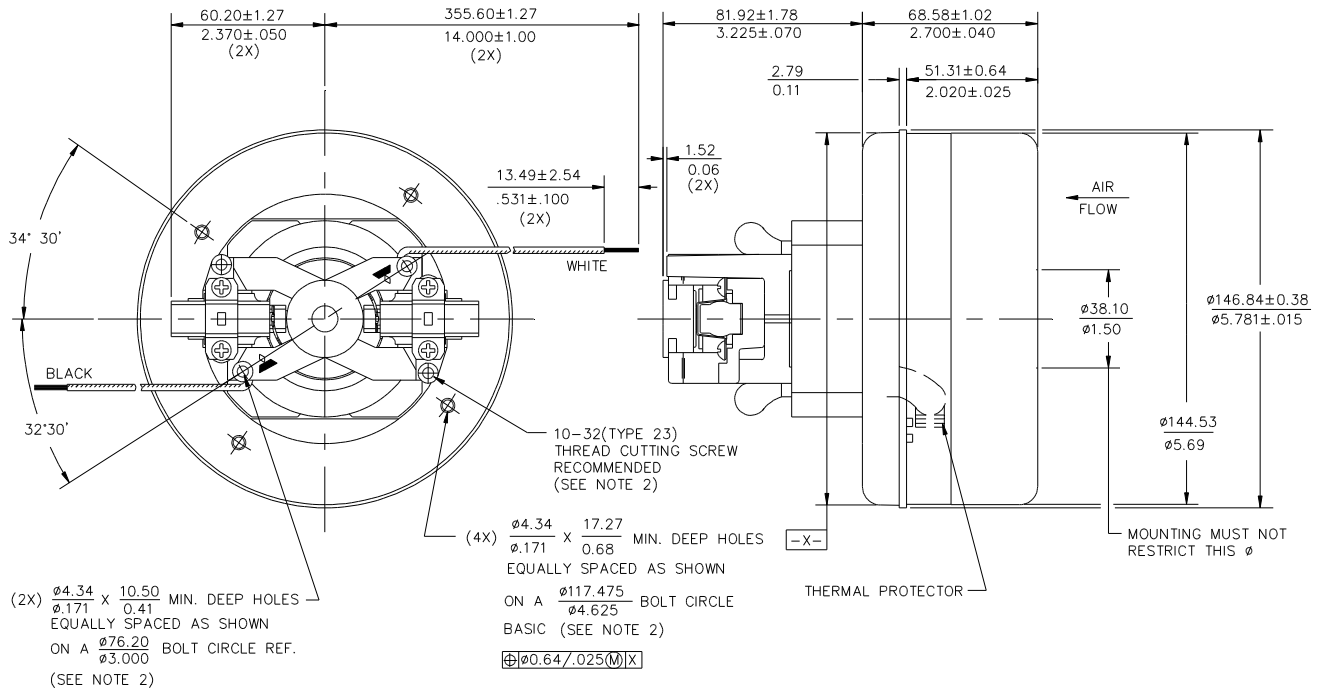
* Data represents performance of a typical motor sampled from a large production quantity. Individual motor data may vary due to normal manufacturing variations.

Test Specs:	120 volts	Minimum Sealed Vacuum:	102.0"	ORIFICE:	7/8"	Minimum Vacuum:	44.0"	Maximum Watts:	1425
--------------------	-----------	-------------------------------	--------	-----------------	------	------------------------	-------	-----------------------	------

DIMENSIONS

NOTES: UNLESS OTHERWISE SPECIFIED.

1. LEADS: 18GA STRANDED.
2. GROUNDING OR EARTHING PROVISIONS: USE HOLES AS INDICATED FOR GROUNDING OR EARTHING. REFER TO APPROPRIATE LISTING OR REGULATORY AGENCY FOR PROPER METHOD OF GROUNDING OR EARTHING.
3. MODEL NUMBER, DATE OF MANUFACTURE, INSPECTOR'S CODE WITH "F" SUFFIX, MANUFACTURER'S NAME, MADE IN U.S.A., VOLTAGE, FREQUENCY, AND "THERMALLY PROTECTED" ARE STAMPED ON MOTOR.



IMPORTANT NOTE: Pictorial and dimensional data are subject to change without notice. Contact factory for current revision levels.

WARNING - AMETEK Lamb Electric thru-flow vacuum motors must never be used in applications in which wet or moist conditions are involved, where dry chemicals or other volatile materials are present, or where airflow may be restricted or blocked. Such motors are designed to permit the vacuumed air to pass over the electrical winding to cool it. Thus any foam, liquid (including water), dry chemical, or other foreign substance coming in contact with electrical conductors could cause combustion (depending on volatility) or electrical shock. Failure to observe these precautions could result in property damage and severe personal injury, including death in extreme cases. All applications incorporating Lamb Electric motors should be submitted to Underwriters Laboratories Inc. or other appropriate organizations or agencies for testing specifically related to the safety of your equipment.

AMETEK/Lamb Electric Division
 627 Lake Street
 Kent, Ohio 44240
 U.S.A.
 Tel: (330) 673-3451
 Fax: (330) 673-8994

Ametek GmbH
 P. O. Box 1251
 D-71667 Marbach
 Germany
 Phone: + 49-714-484-9512
 Fax: + 49-714-484-9513

AMETEK/Singapore Private Limited
 10 Ang Mo Kio Street 65
 # 05-12 Techpoint
 Singapore 2056
 Tel: + 65-484-2388
 Fax: + 65-481-6588