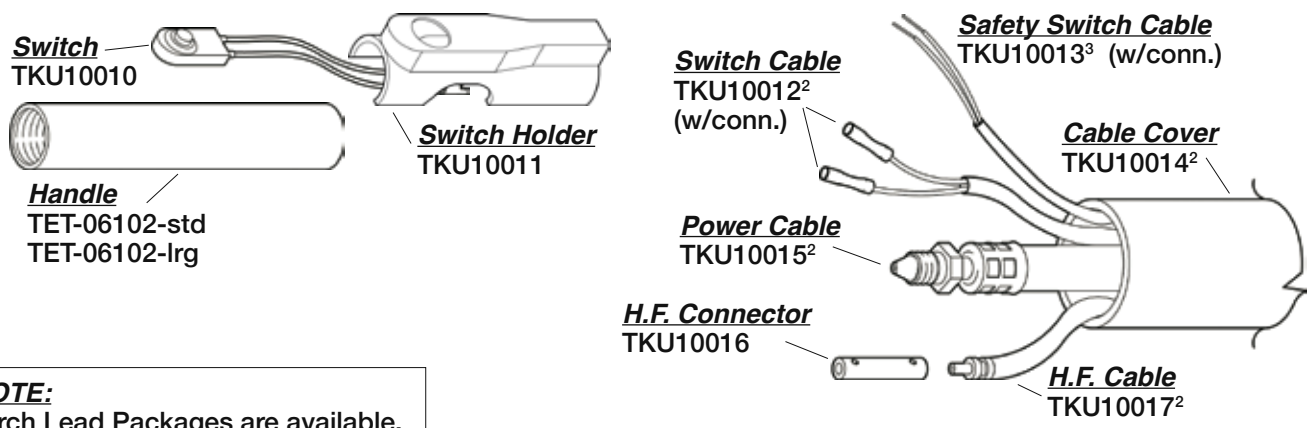
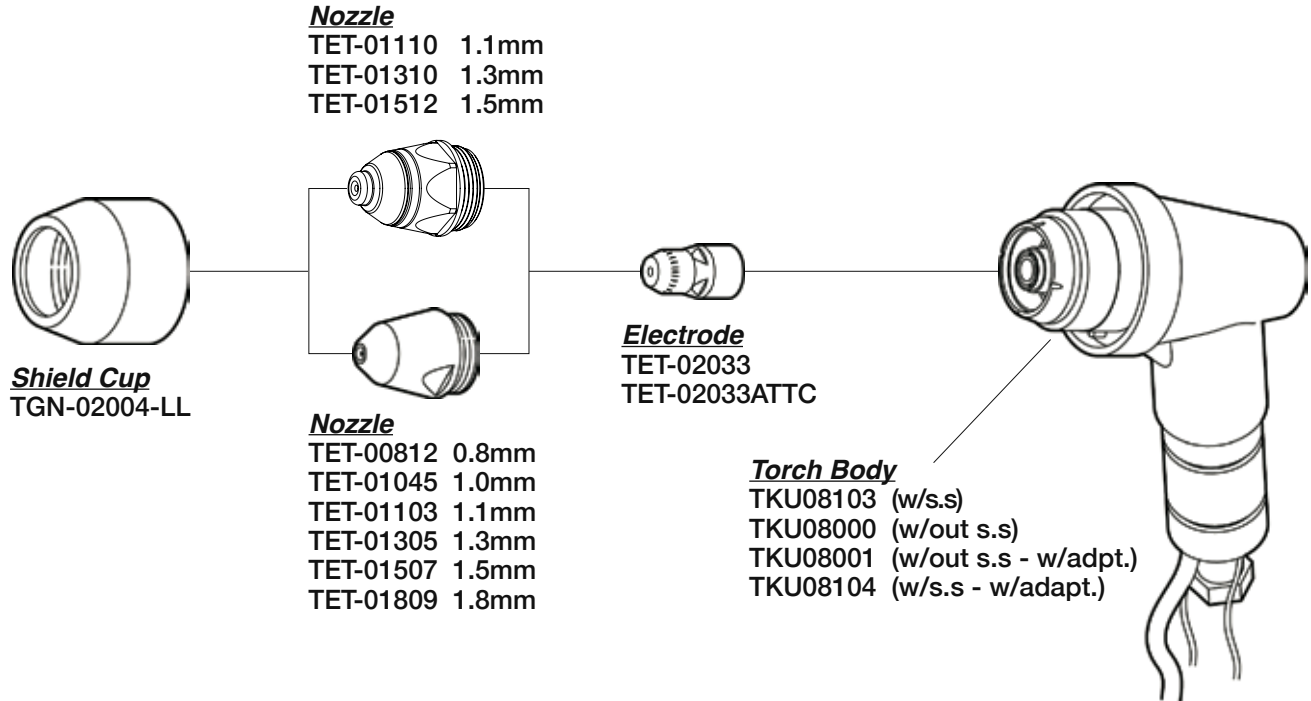


**118 PANASONIC<sup>®</sup>**

**PANASONIC<sup>®</sup> TKU08103**

**PLASMA**



**NOTE:**  
Torch Lead Packages are available, please inquire on availability

- 1 Replacement parts for TKU08103.
- 2 Please specify 25' or 50' cable length.
- 3 Please specify type of machine or specification print.

- Not Shown**
- TKU10007<sup>1</sup> Safety Switch
  - TKU10019<sup>3</sup> Cable End Adaptor Kit
  - TKU10025 Cable Assy. 25'
  - TKU10050 Cable Assy. 50'
  - TKU-06102-S Spacer
  - TGN-0011 Crown Cup

**NOTE:** For the material you are cutting, set initial torch height (before piercing) to approximately twice the Stand-off Distance. 1 scfh = 28.316 liter/hour, 1 psi = .0689 bar = 6.895 Kpa. This information represents our best judgement but American Torch Tip assumes no liability for its use.