



STAINLESS STEEL

16 GAUGE MULTI-STATION HAND SINKS W/ TUBULAR SUPPORTS or LEGS



Item #: _____ Qty #: _____
 Model #: _____
 Project #: _____



FC-WM-40EF Shown



Electronic Faucet

Manual Operated
(Faucet Not Included)



FC-WM-40 Shown



Knee Valve



FC-WM-40KV Shown



FC-WM-40FV Shown



Toe-Push

FEATURES:

- 8 1/2" high backsplash.
- 8" sink bowl depth.
- Stainless steel "Z" brackets (2) supplied each unit.
- 3 1/2" rear basket drain(s)
- Support Bracket Units includes tubular stainless steel supports that allow full clearance underneath.
- Toe-Push Units includes tubular stainless steel legs with adjustable stainless steel bullet feet.

Additional Features:

- Manual Operated Units:** Faucet not included. 8" O.C. holes provided.
- Electronic Faucet Units (EF):** Plug/Battery Operated Electronic Faucet(s).
- Knee Valve Operated Units (KV):** Knee Operated Valve(s).
- Toe-Push Operated Units (FV):** Toe-Push Operated Valves(s).

CONSTRUCTION:

- All TIG welded.
- Welded areas blended to match adjacent surfaces and to a satin finish.
- Die formed tubular wall brackets.

MATERIAL:

- All 16 gauge type "304" stainless steel.
- 1 5/8" tubular "304" stainless steel wall brackets OR 1 5/8" tubular "304" stainless steel legs with bullet feet.
- Stainless steel gussets.

MECHANICAL:

- Supply is 1/2" hot and cold for knee and foot valve units.
- Faucet holes 8" on centers for manual operated units.

MANUAL FAUCET OPERATED		ELECTRONIC OPERATED	KNEE VALVE OPERATED	TOE-PUSH OPERATED	# of Faucets	Approx. Wt.	Cu. Ft.
Length	Model #	Model #	Model #	Model #			
40"	FC-WM-40	FC-WM-40EF	FC-WM-40KV	FC-WM-40FV	2	66 lbs.	15
60"	FC-WM-60	FC-WM-60EF	FC-WM-60KV	FC-WM-60FV	3	77 lbs.	18
80"	FC-WM-80	FC-WM-80EF	FC-WM-80KV	FC-WM-80FV	4	110 lbs.	22
100"	FC-WM-100	FC-WM-100EF	FC-WM-100KV	FC-WM-100FV	5	143 lbs.	30
120"	FC-WM-120	FC-WM-120EF	FC-WM-120KV	FC-WM-120FV	6	182 lbs.	36

NOTE: 100" Units and larger provided with 2 Drains. Toe-Push Operated Sinks Include Wall Bracket & are Floor Mounted

Floor Standing Legs Option

Model #	Fits Sink Length
FS-CB-40	40"
FS-CB-60	60"
FS-CB-80	80"
FS-CB-100	100"
FS-CB-120	120"

Converts Wall Mounted FC-WM Sinks To Free Standing Floor Units (Excludes FV Series).

MODEL	Optional Accessories	QTY
K-13	S/S Soap Dispenser	___
K-13WMS	Factory Install Bracket to Backsplash for K-13 Soap Dispenser (Includes K-13 Soap Dispenser)	___
K-472	Faucet Hole Revision (To Modify Hole Punch Other Than 8" O.C. - Per Hole)	___
K-175	Electronic Splash Mount Faucet	___
K-121	Single Hole Splash Mount 3 1/2" Gooseneck Spout	___
K-11	8" O.C. 14" Splash Mount Swing Spout Faucet	___
K-112	8" O.C. 12" Splash Mount Swing Spout Faucet	___

Standard Faucet conforms to NSF 61 Standard 9 and compliance to AB 1953 Standards.



Customer Service Available To Assist You 1-800-645-3166 8:30 am - 8:00 pm E.S.T.

For Orders & Customer Service:

Email: customer@advancetabco.com or Fax: 631-242-6900

For Smart Fabrication™ Quotes:

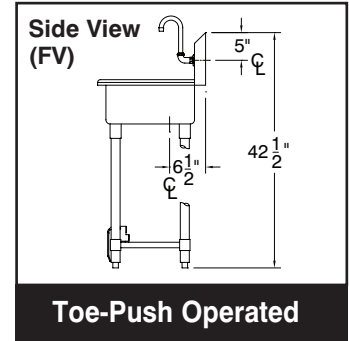
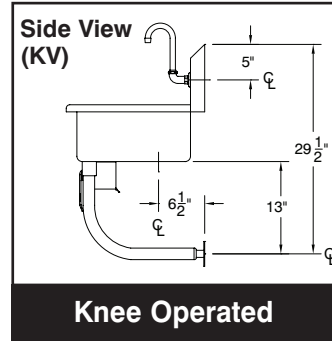
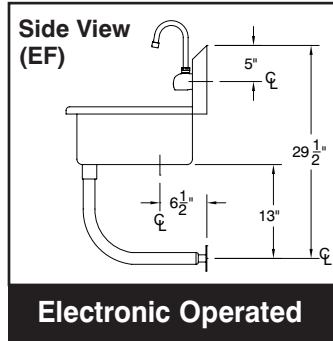
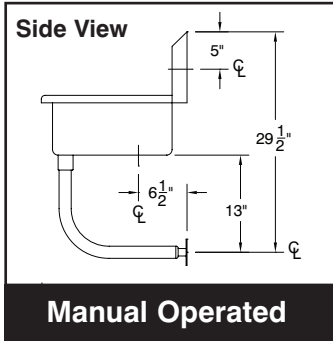
Email: smartfab@advancetabco.com or Fax: 631-586-2933

40" TWO STATION SINKS

TOL ± .500"

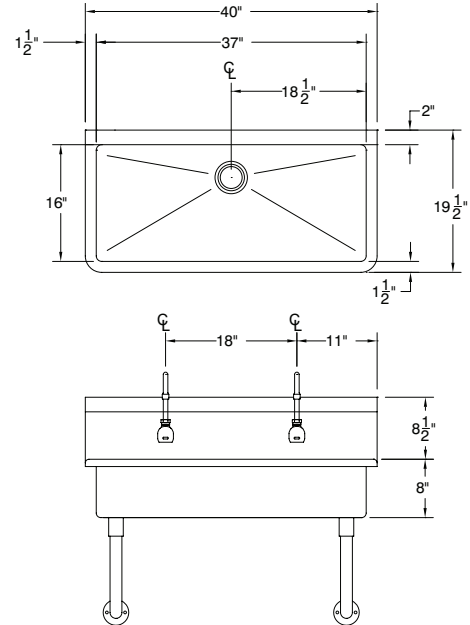
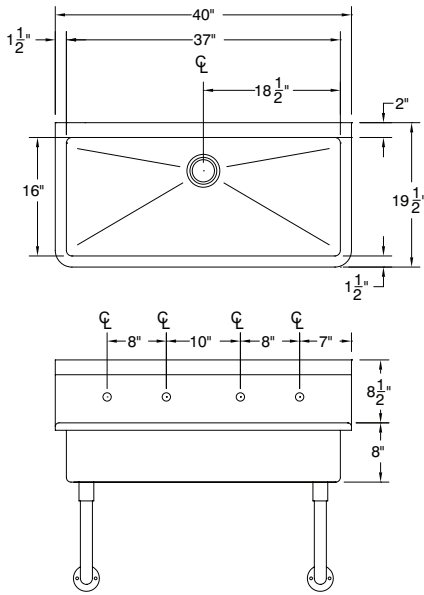
FITTINGS SUPPLIED AS SHOWN

ALL DIMENSIONS ARE TYPICAL



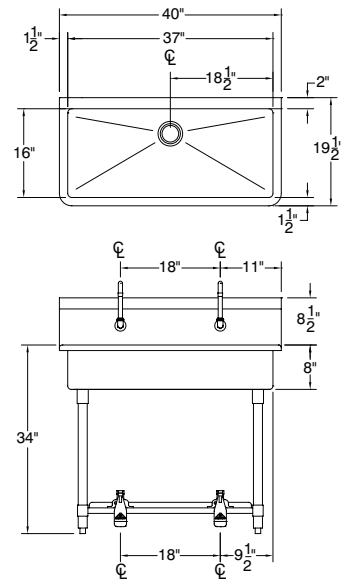
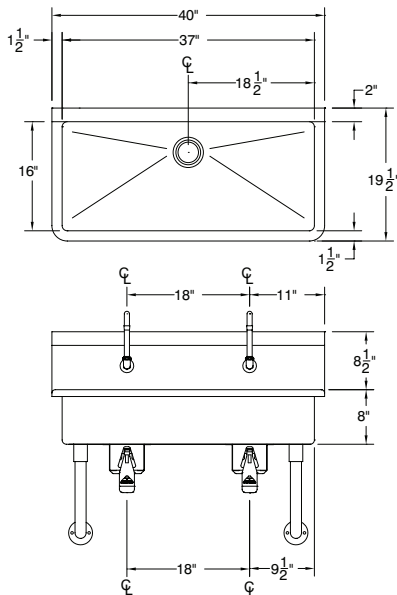
FC-WM-40 Manual Operated

FC-WM-40EF Electronic Operated



FC-WM-40KV Knee Operated

FC-WM-40FV Toe-Push Operated

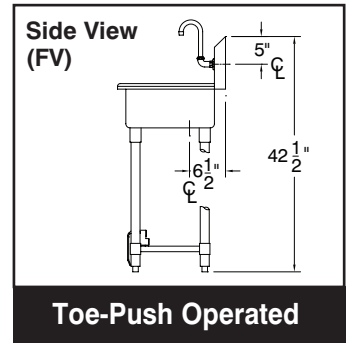
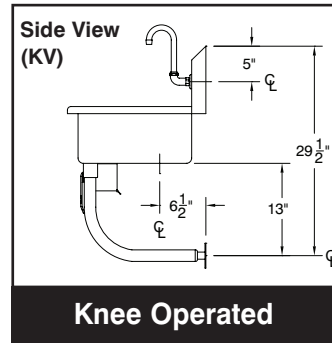
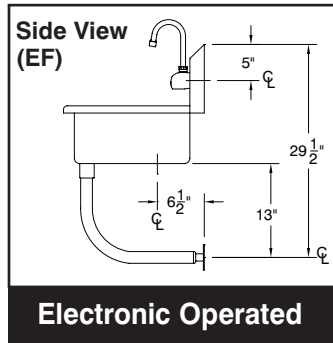
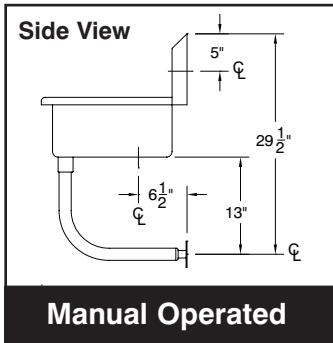


60" THREE STATION SINKS

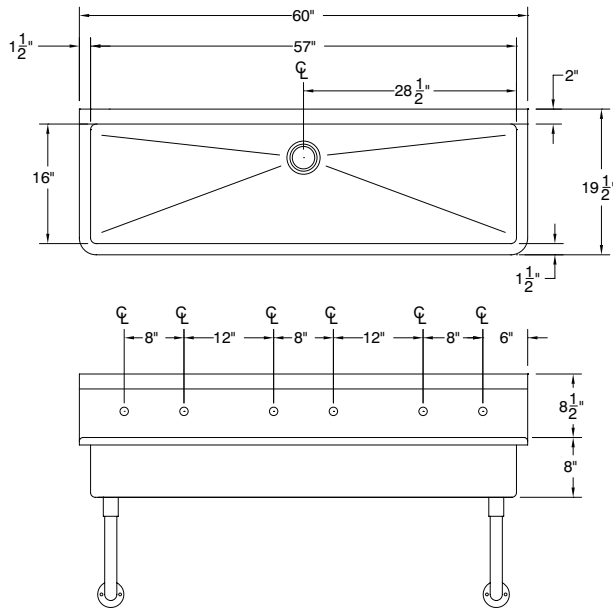
TOL ± .500"

FITTINGS SUPPLIED AS SHOWN

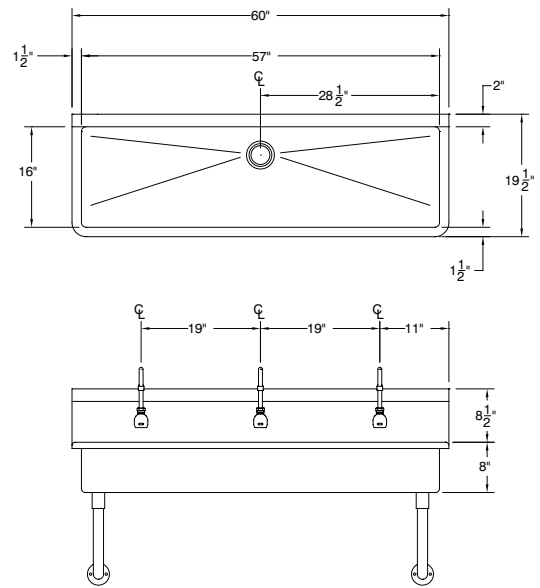
ALL DIMENSIONS ARE TYPICAL



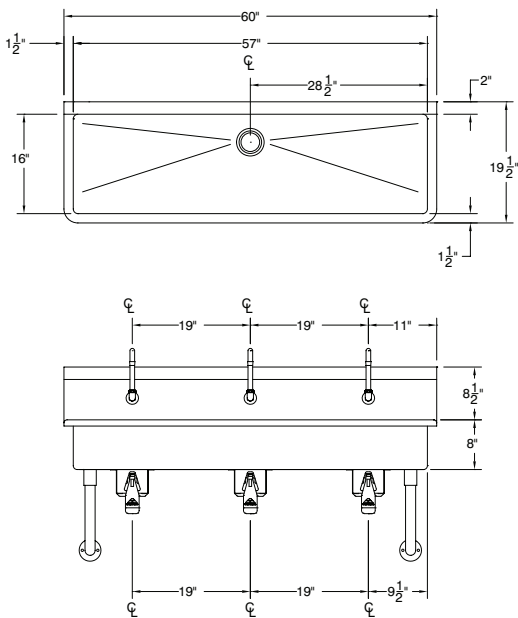
FC-WM-60 Manual Operated



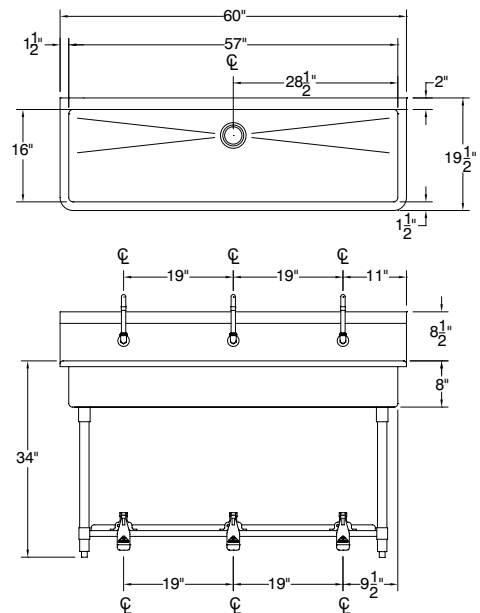
FC-WM-60EF Electronic Operated



FC-WM-60KV Knee Operated



FC-WM-60FV Toe-Push Operated

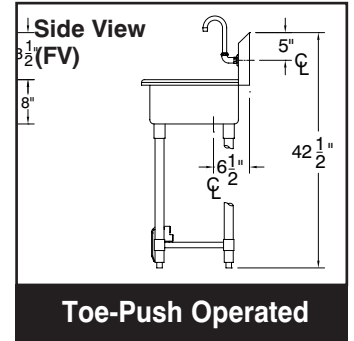
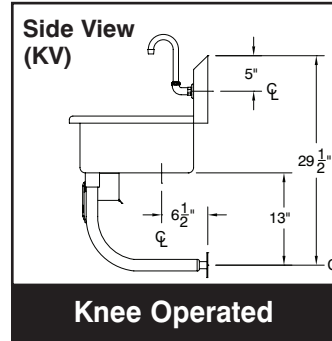
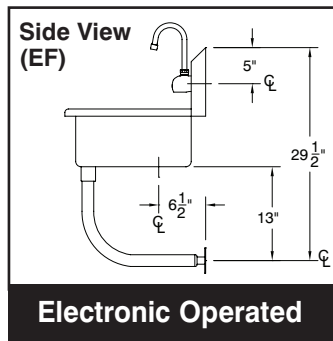
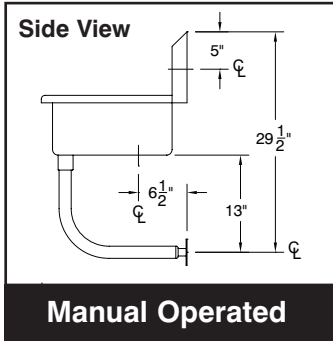


80" FOUR STATION SINKS

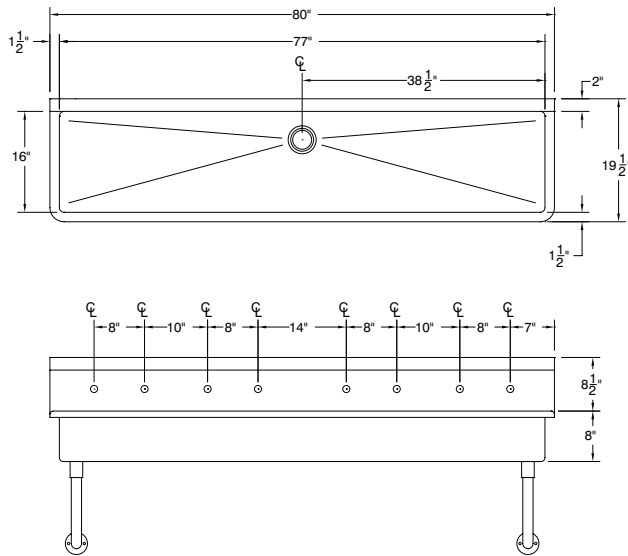
TOL ± .500"

FITTINGS SUPPLIED AS SHOWN

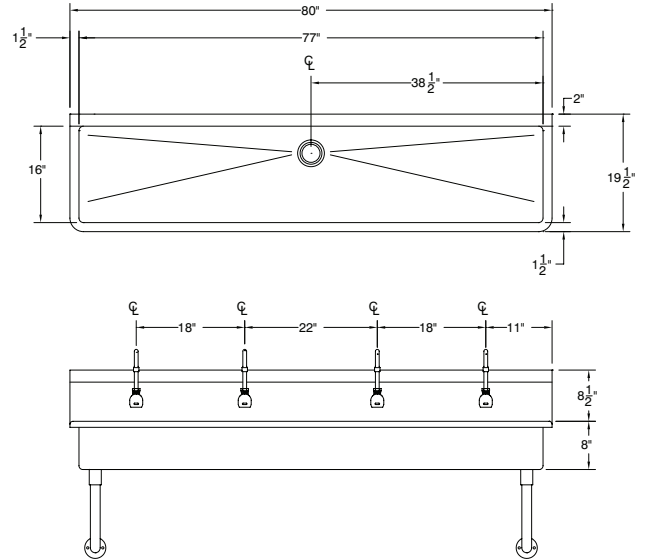
ALL DIMENSIONS ARE TYPICAL



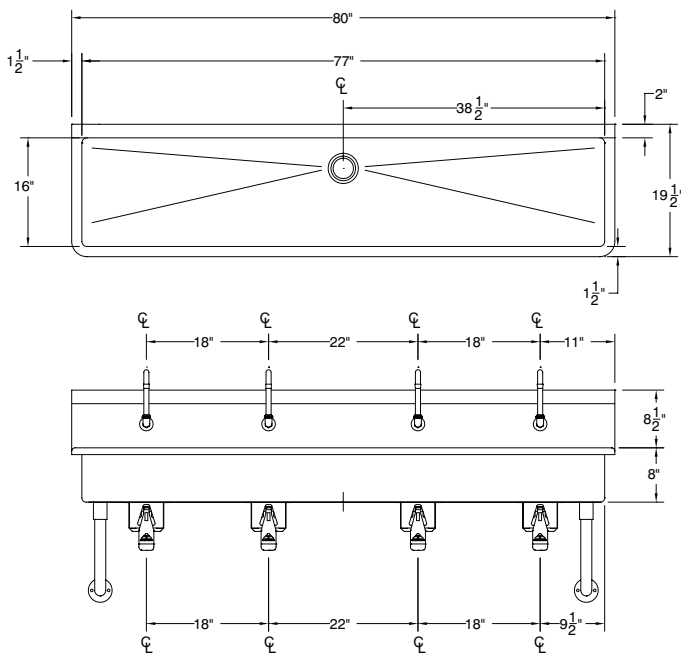
FC-WM-80 Manual Operated



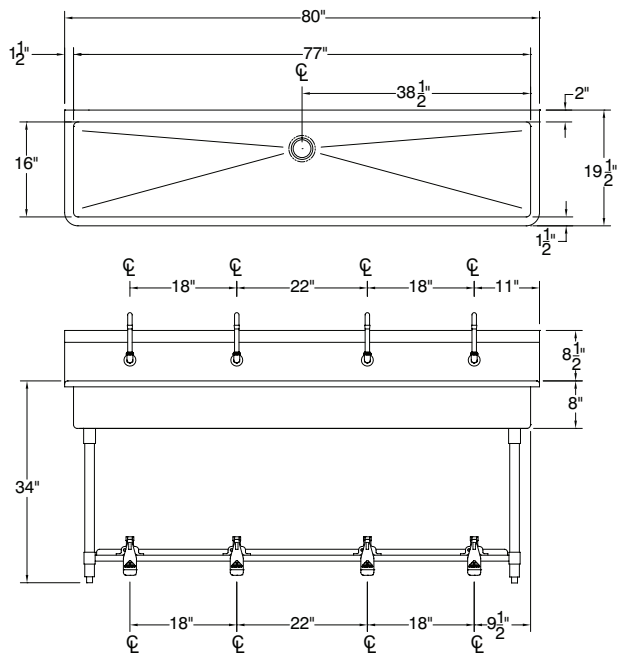
FC-WM-80EF Electronic Operated



FC-WM-80KV Knee Operated



FC-WM-80FV Toe-Push Operated

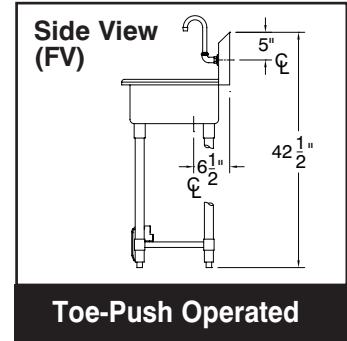
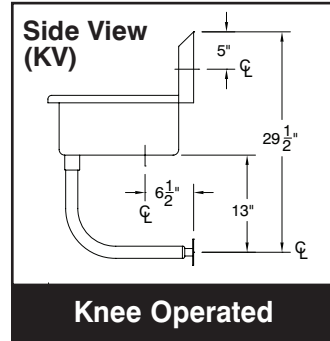
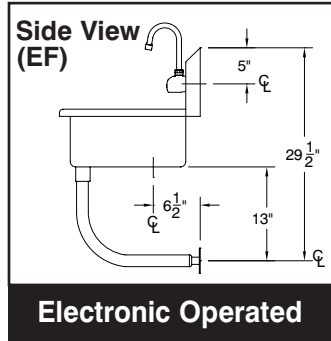
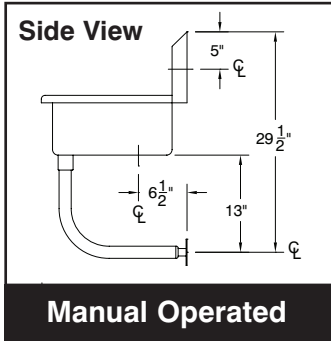


100" FIVE STATION SINKS

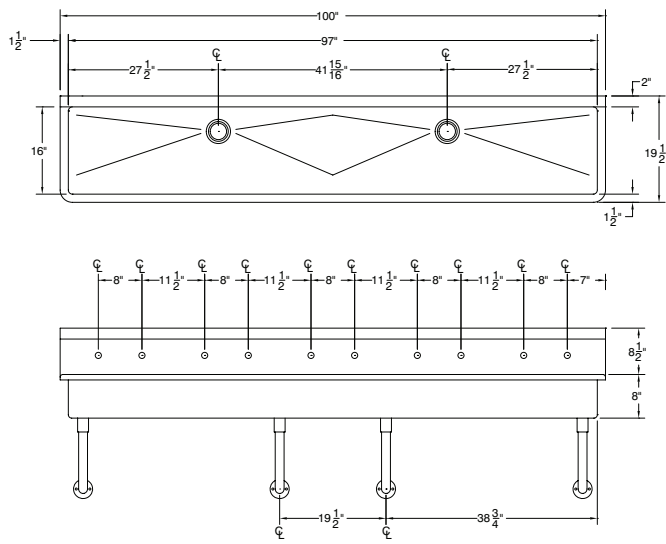
TOL ± .500"

FITTINGS SUPPLIED AS SHOWN

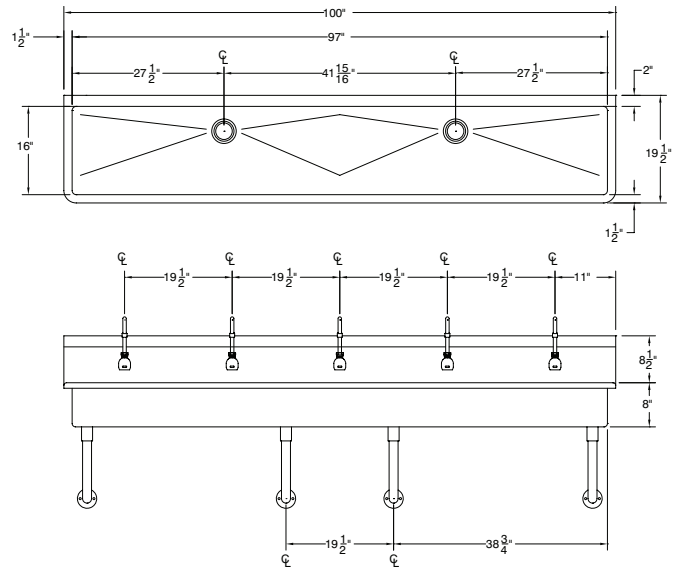
ALL DIMENSIONS ARE TYPICAL



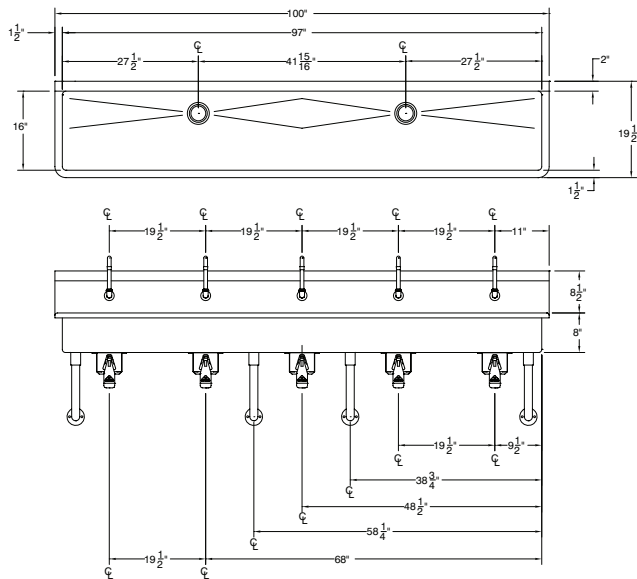
FC-WM-100 Manual Operated



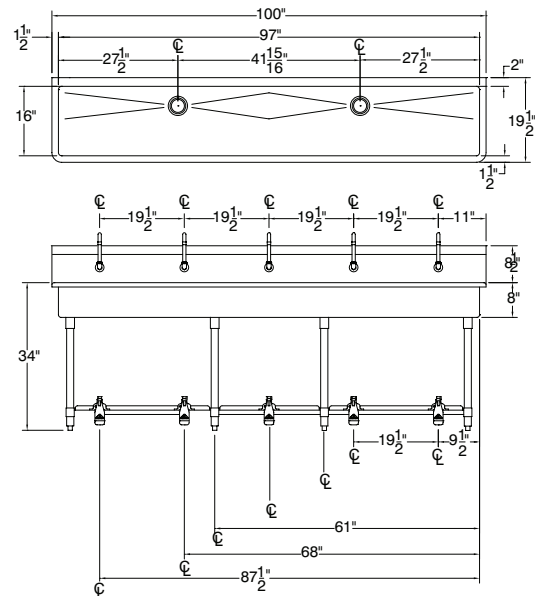
FC-WM-100EF Electronic Operated



FC-WM-100KV Knee Operated



FC-WM-100FV Toe-Push Operated

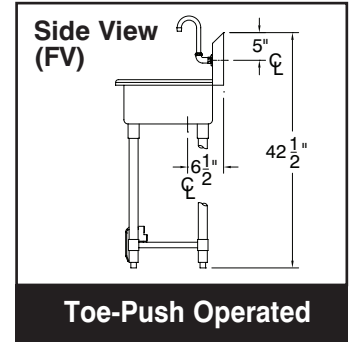
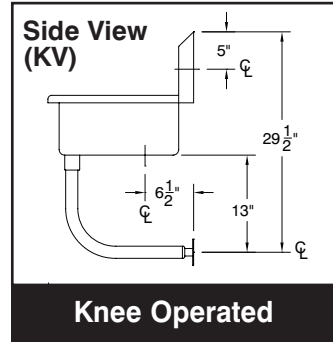
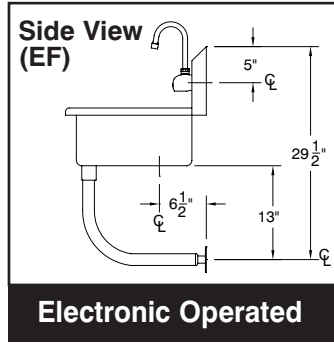
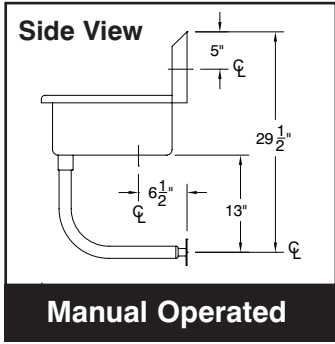


120" SIX STATION SINKS

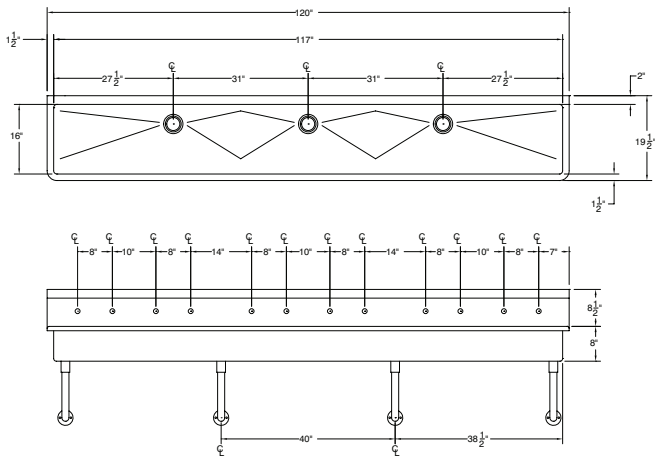
TOL ± .500"

FITTINGS SUPPLIED AS SHOWN

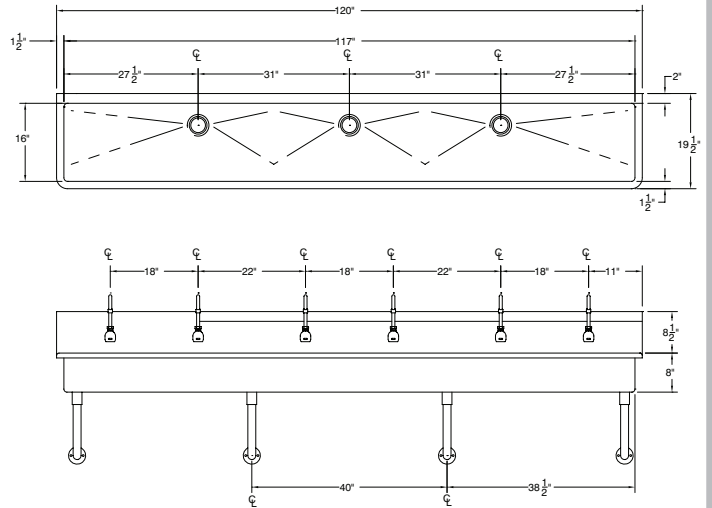
ALL DIMENSIONS ARE TYPICAL



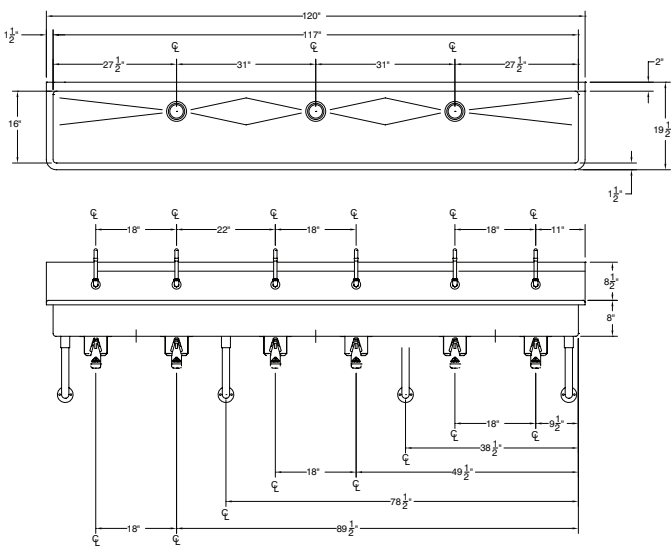
FC-WM-120 Manual Operated



FC-WM-120EF Electronic Operated



FC-WM-120KV Knee Operated



FC-WM-120FV Toe-Push Operated

